



US00D807108S

(12) **United States Design Patent**  
**Borovicka et al.**

(10) **Patent No.:** **US D807,108 S**  
(45) **Date of Patent:** **\*\* Jan. 9, 2018**

(54) **PIZZA OVEN**

- (71) Applicant: **Charcoal Companion Incorporated**, Berkeley, CA (US)
- (72) Inventors: **Cory Thomas Borovicka**, Oakland, CA (US); **Kwame Phillips-Solomon**, Emeryville, CA (US); **Bennett Gershkow**, San Francisco, CA (US)
- (73) Assignee: **Charcoal Companion Incorporated**, Berkeley, CA (US)

(\*\*) Term: **15 Years**

(21) Appl. No.: **29/533,662**

(22) Filed: **Jul. 20, 2015**

(51) **LOC (11) Cl.** ..... **07-02**

(52) **U.S. Cl.**

USPC ..... **D7/362**

(58) **Field of Classification Search**

USPC ..... D7/32-332, 337-339, 346-347, D7/350.1-350.4, 353-368, 391, 392.1, D7/393-398, 402-406, 515, 523, 526, D7/530, 531, 534.1, 538, 542, 553.1, D7/553.2, 553.7, 560-566, 584-588, D7/600.1; D3/201, 202, 203.1, 270, 271, D3/271.1; D15/146; D9/418, 420, 761; D6/514, 674, 677

CPC ..... A47G 19/12; A47J 27/00; A47J 27/002; A47J 27/004; A47J 27/08; A47J 27/21; A47J 27/58; A47J 35/025; A47J 37/103; A47J 37/1204; A47J 37/0704; A47J 45/061; A47J 45/065; A47J 45/071; A47J 45/08; A47J 29/00; A47J 29/02; A47J 29/04; A47J 29/06; A47J 36/025; H05B 6/06; H05B 6/12; A01K 41/02; A01K 41/023; A01K

(Continued)

(56) **References Cited**

**U.S. PATENT DOCUMENTS**

- 5,315,922 A 5/1994 Keller
- 5,365,833 A 11/1994 Chen

(Continued)

**FOREIGN PATENT DOCUMENTS**

CN 3670226 \* 7/2007

**OTHER PUBLICATIONS**

Pizzeria Pronto Stovetop Pizza Oven: Announced Nov. 2015 [online], site visited [Dec. 15, 2016]. Available from Internet URL: <http://www.williams-sonoma.com/products/pizzeria-pronto-indoor-pizza-oven/>.\*

(Continued)

*Primary Examiner* — Barbara Fox

*Assistant Examiner* — Catherine Posthauer

(74) *Attorney, Agent, or Firm* — Beeson Skinner Beverly, LLP

(57) **CLAIM**

The ornamental design for a pizza oven, as shown and described.

**DESCRIPTION**

FIG. 1 is a top perspective view of a pizza oven showing our new design;

FIG. 2 is a bottom perspective view thereof;

FIG. 3 is a top plan view thereof;

FIG. 4 is a bottom plan view thereof;

FIG. 5 is a front end elevational view thereof;

FIG. 6 is a rear elevational view thereof;

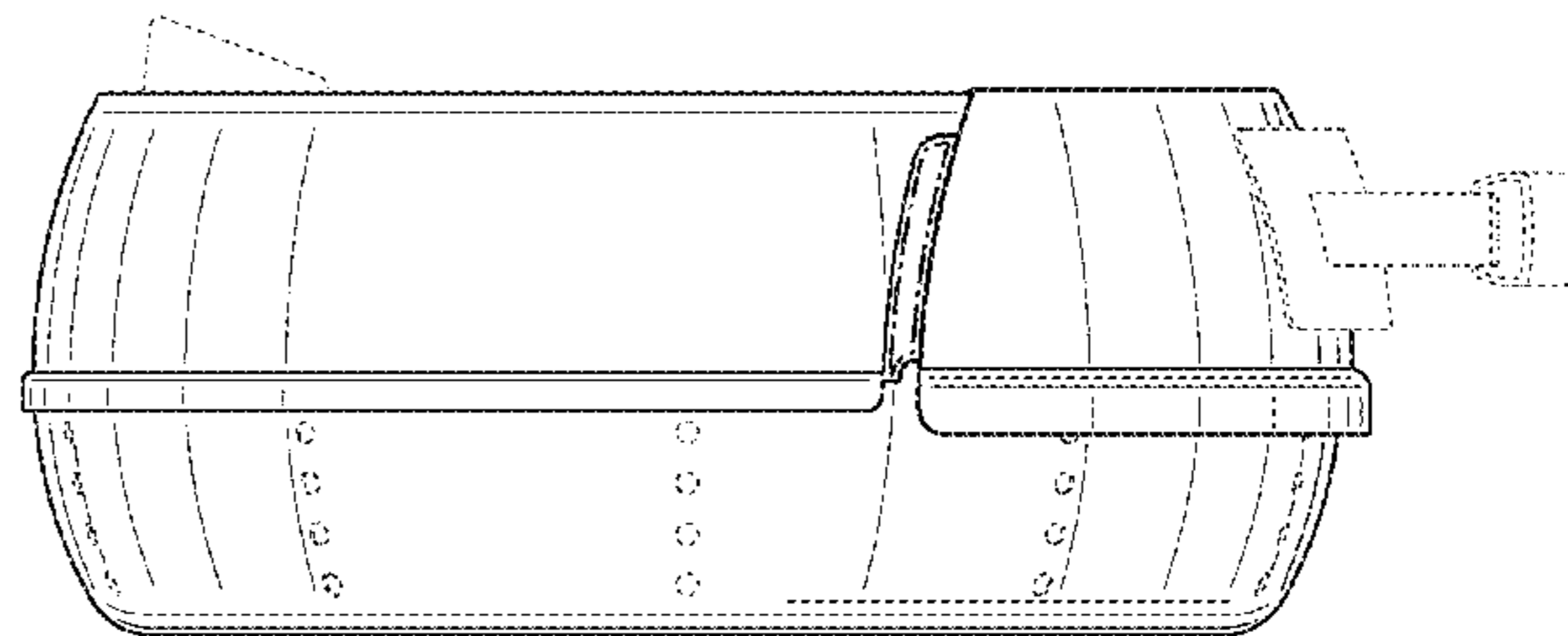
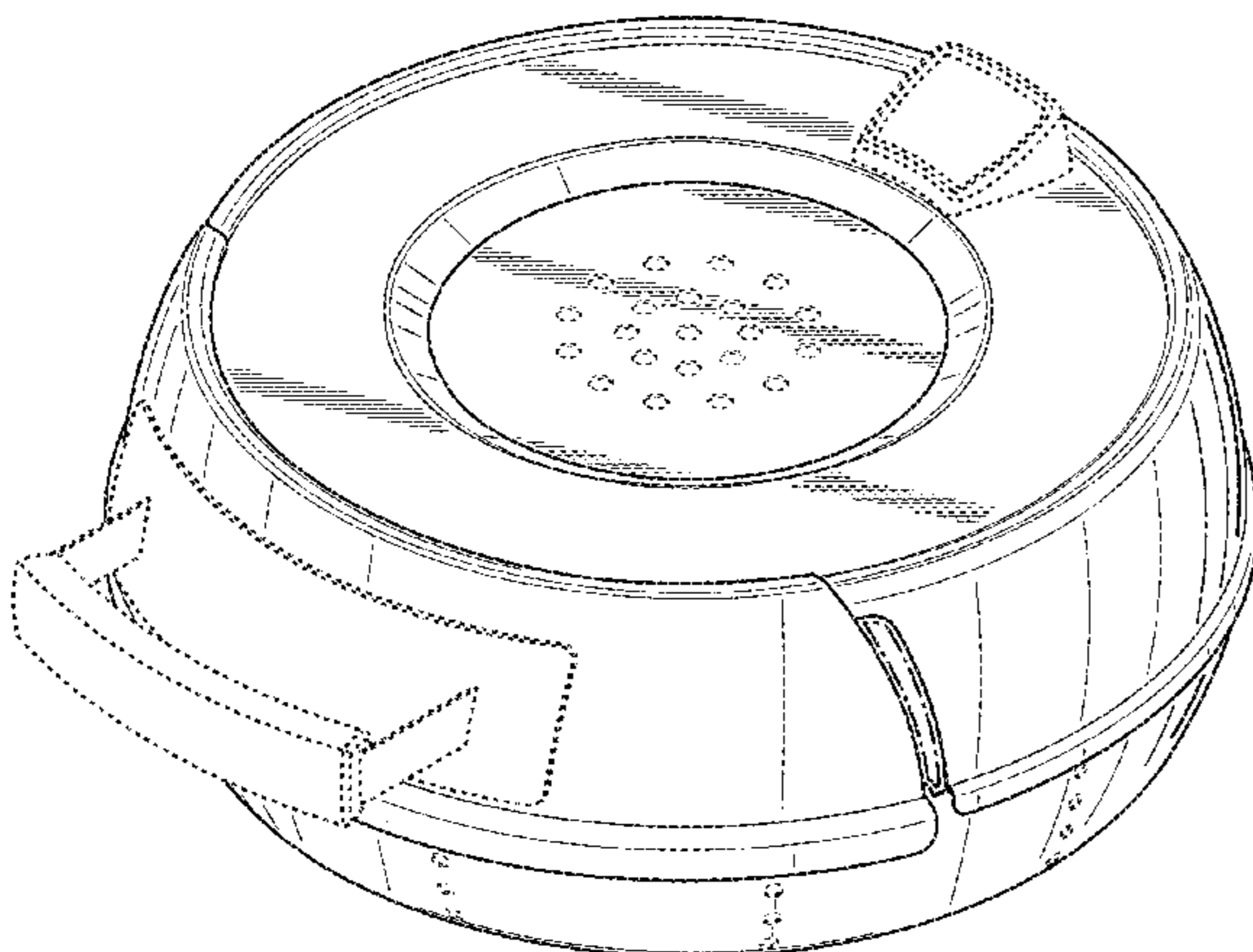
FIG. 7 is a left side elevational view thereof;

FIG. 8 is a right side elevational view thereof; and,

FIG. 9 is a top perspective view thereof showing the front access door of the pizza oven slid to an open position.

The evenly-spaced broken lines shown in the drawings illustrate portions of the pizza oven. The dash-dot broken lines indicate the boundaries of the claim. The broken lines form no part of the claim.

**1 Claim, 5 Drawing Sheets**



(58) **Field of Classification Search**

CPC ..... 41/026; A01K 41/06; A21B 5/02; A21B  
5/026; A21B 5/04; A23B 5/00; A23B  
5/005; A23B 5/0052; B65D 11/02

See application file for complete search history.

(56) **References Cited**

U.S. PATENT DOCUMENTS

D622,093 S \* 8/2010 Reiner ..... D7/354  
D641,207 S \* 7/2011 Backaert ..... D7/391  
D653,906 S \* 2/2012 Bull ..... D7/391  
D662,766 S \* 7/2012 Smyers ..... D7/391  
D697,364 S \* 1/2014 Melocchi ..... D7/352  
9,016,191 B2 4/2015 Krolick et al.  
D730,105 S \* 5/2015 Borovicka ..... D7/350.1  
2005/0132897 A1 6/2005 Umali  
2011/0049125 A1 3/2011 Home  
2014/0026881 A1 1/2014 Abrams et al.  
2014/0130788 A1 5/2014 Contarino, Jr.

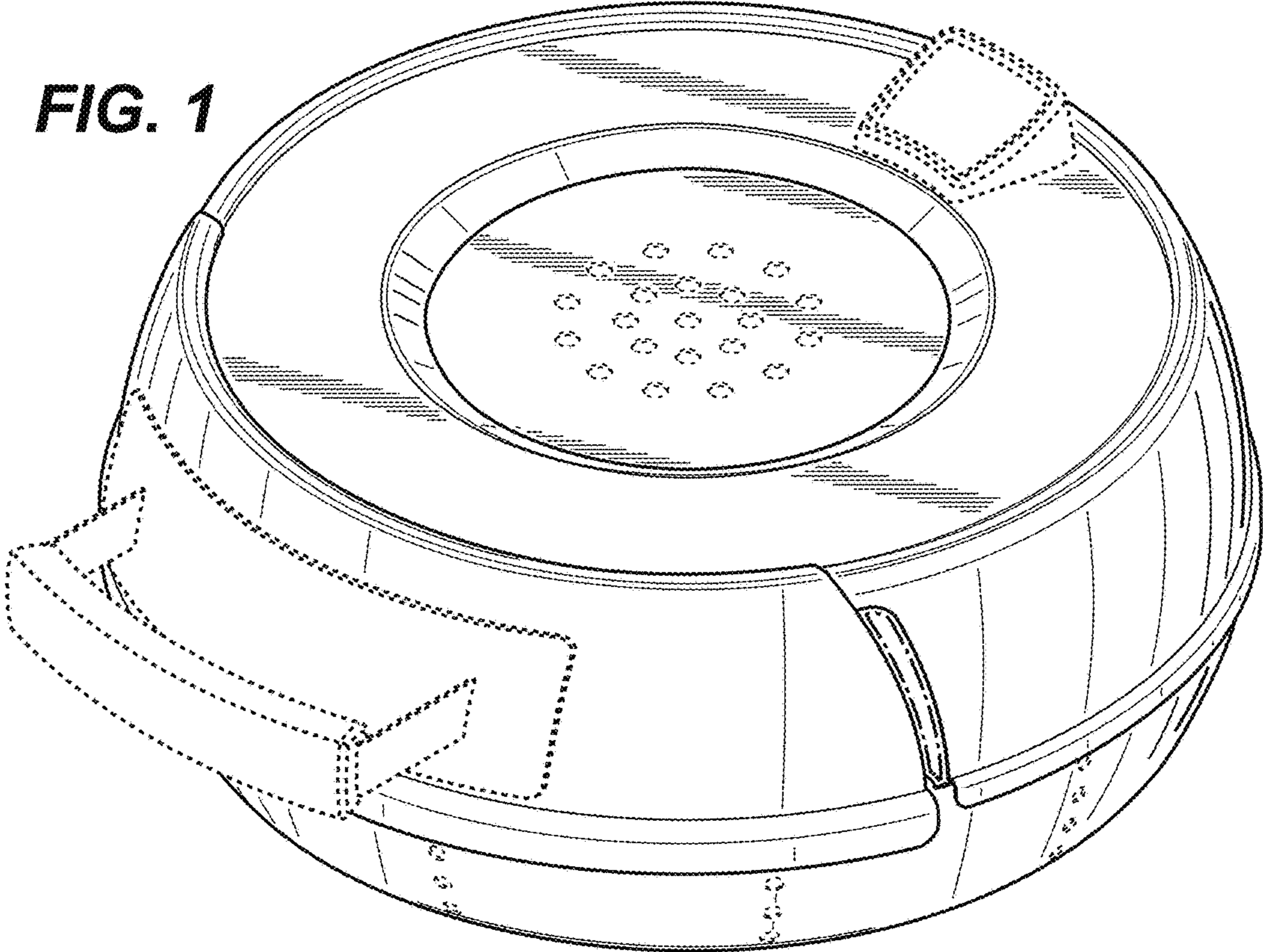
OTHER PUBLICATIONS

Pizzeria Pronto Stovetop Pizza Oven: Announced Jan. 2016  
[online], site visited [Dec. 15, 2016. Available from Internet URL:  
<http://www.pizzacraft.com/products/stovetop-pizza-oven>.\*  
Pizzeria Pronto Stovetop Oven: Announced Jan. 27th, 2016  
[online]. Site visited [Sep. 10th, 2017]. Available from Internet  
URL: [http://www.coolthings.com/pizzacraft-pizzeria-pront-  
stovetop-oven/](http://www.coolthings.com/pizzacraft-pizzeria-pront-stovetop-oven/).\*

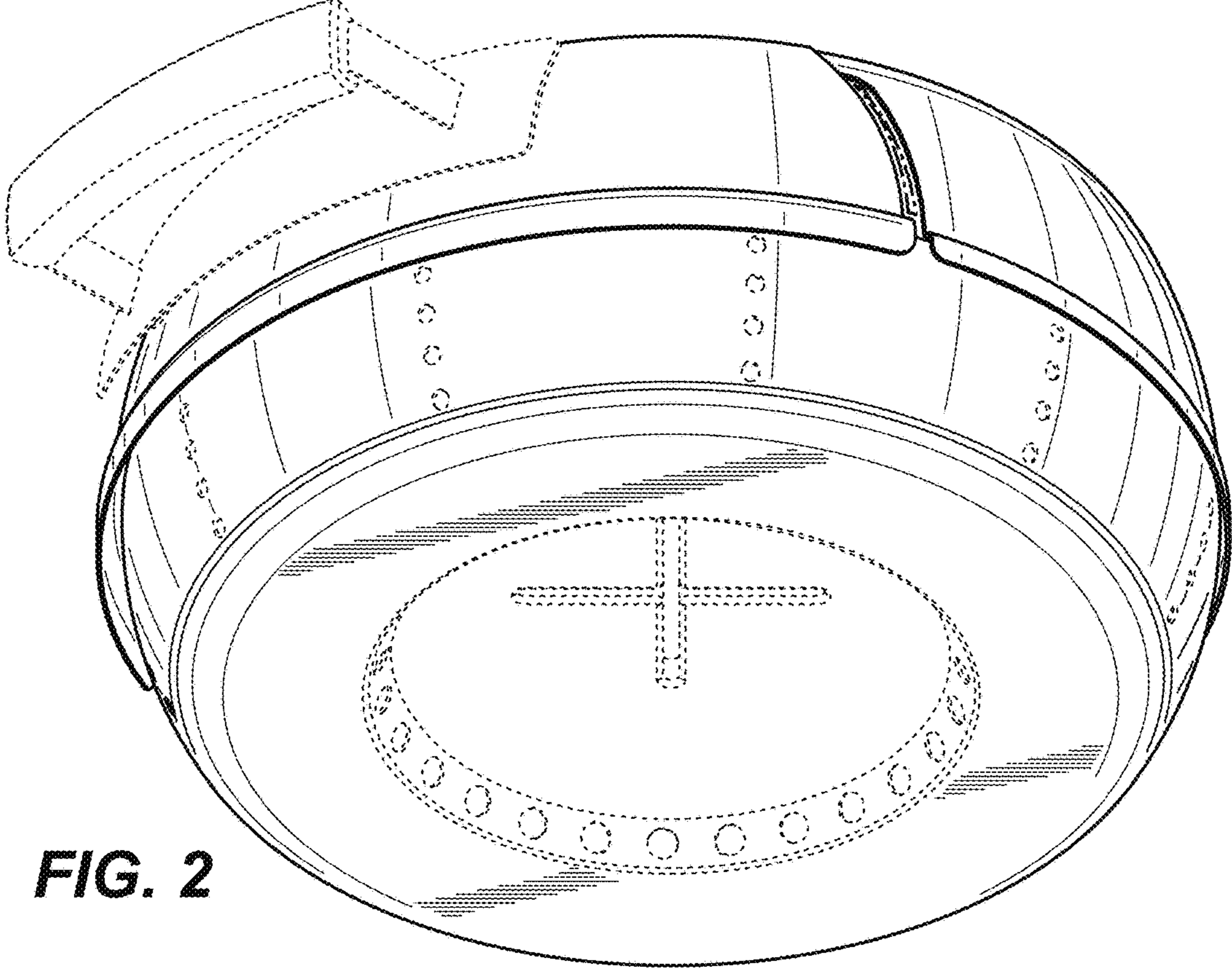
\* cited by examiner



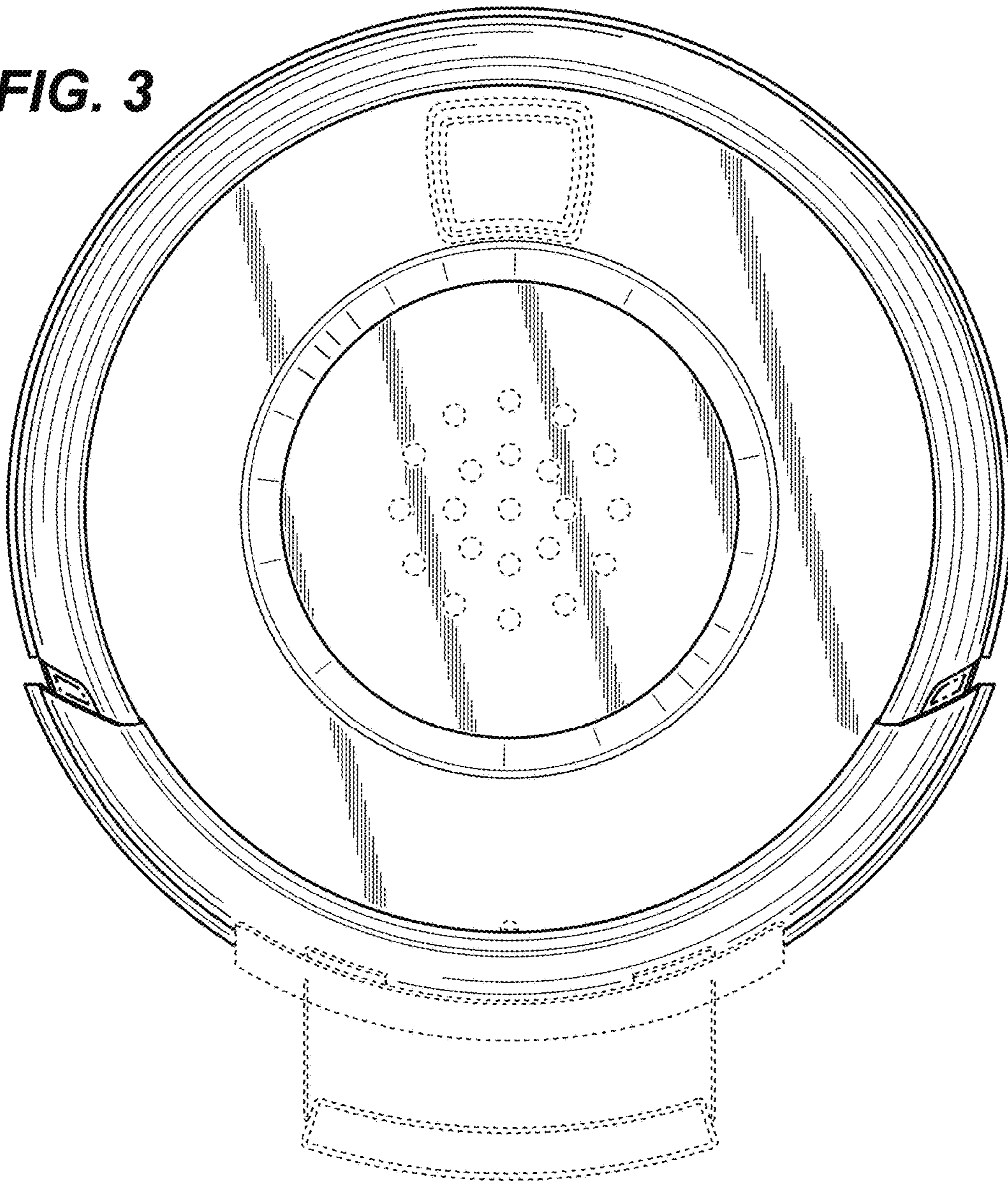
**FIG. 1**



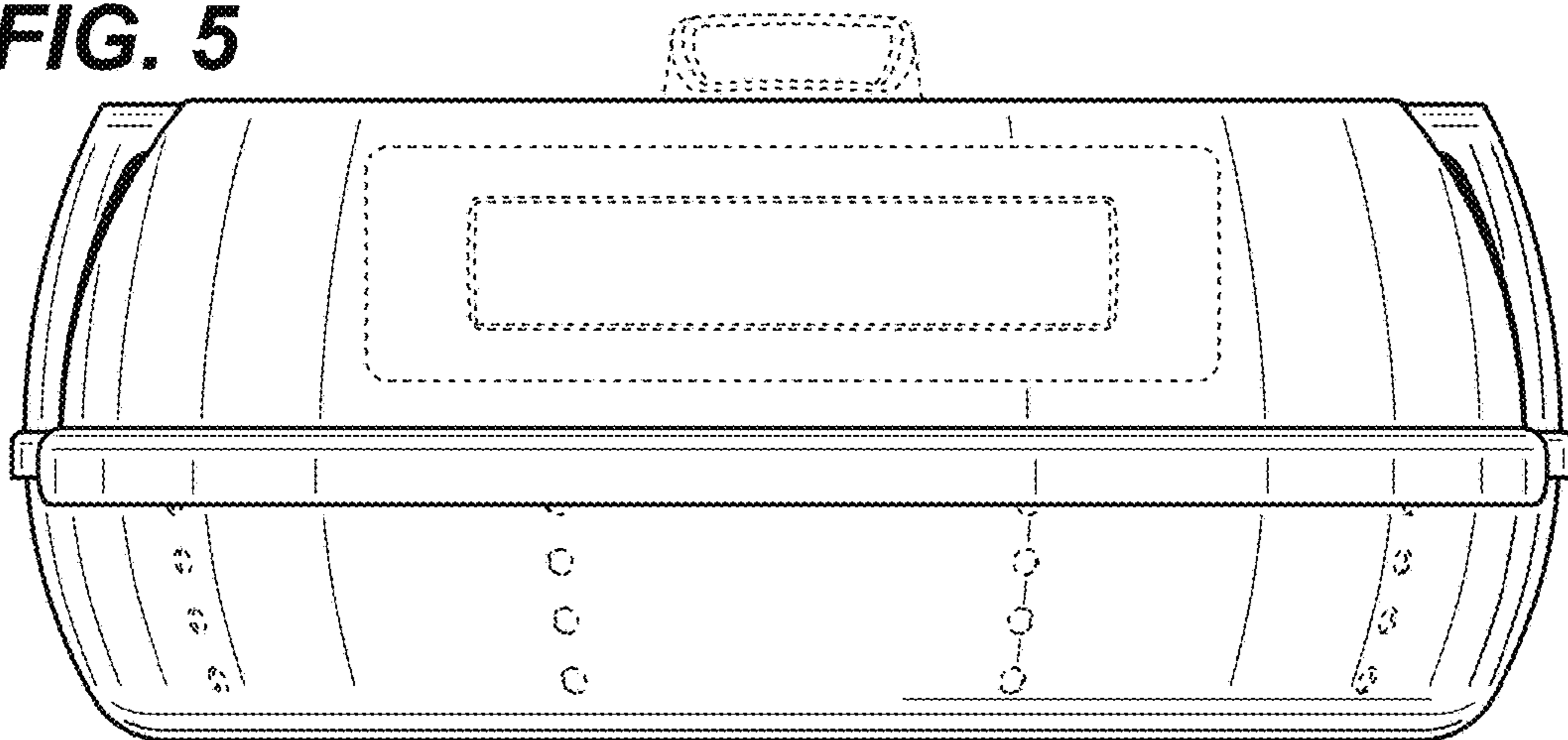
**FIG. 2**



**FIG. 3**

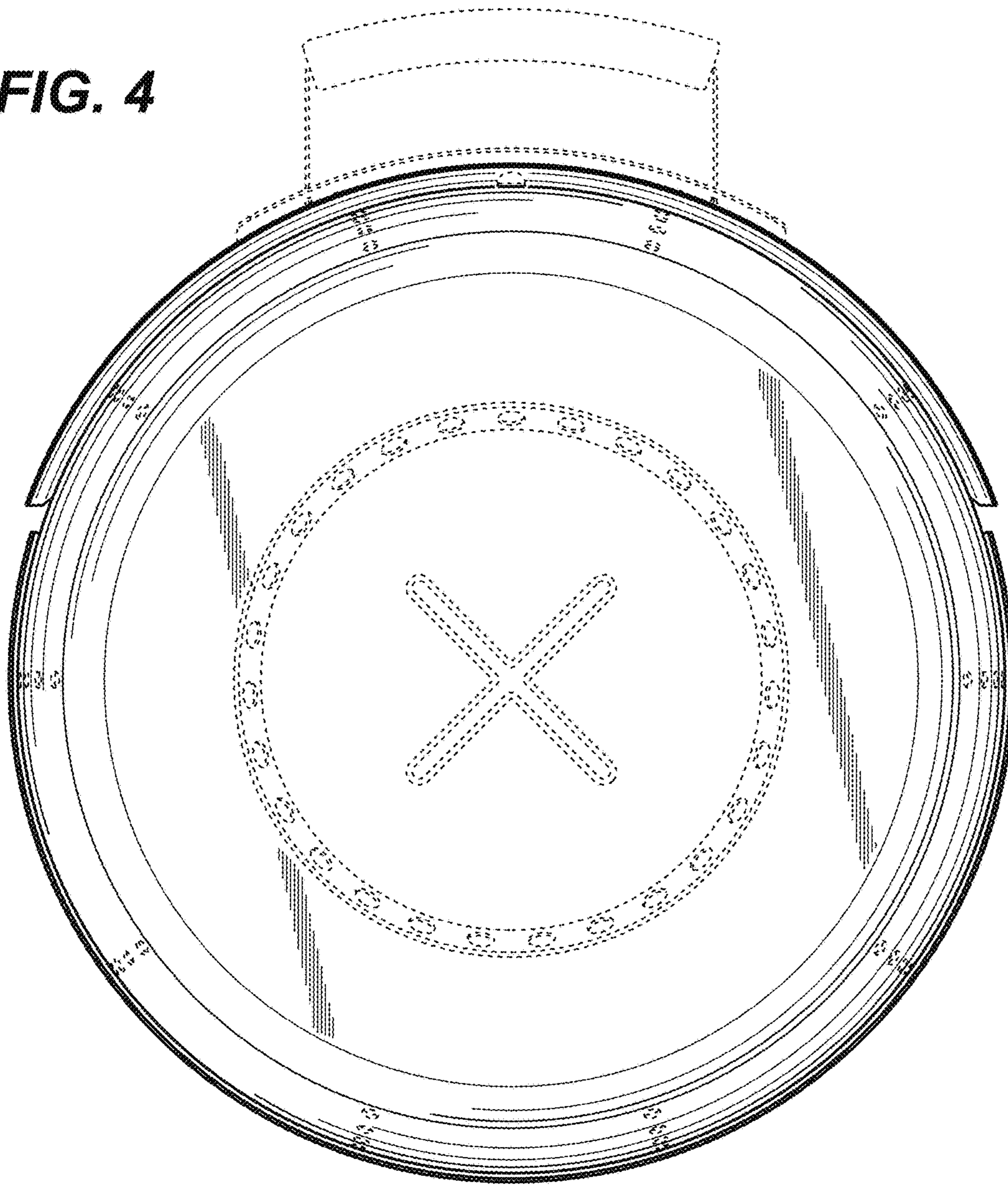


**FIG. 5**

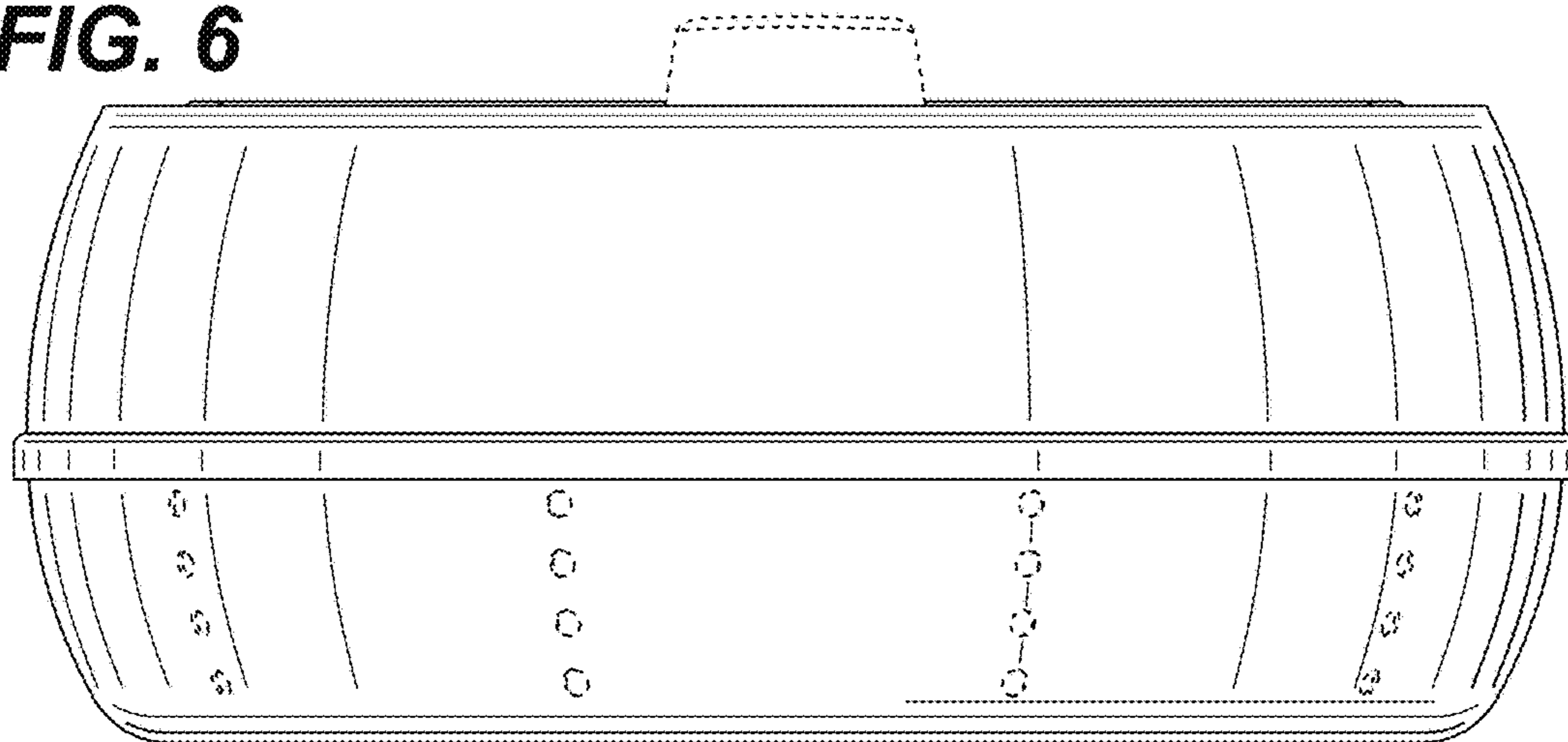




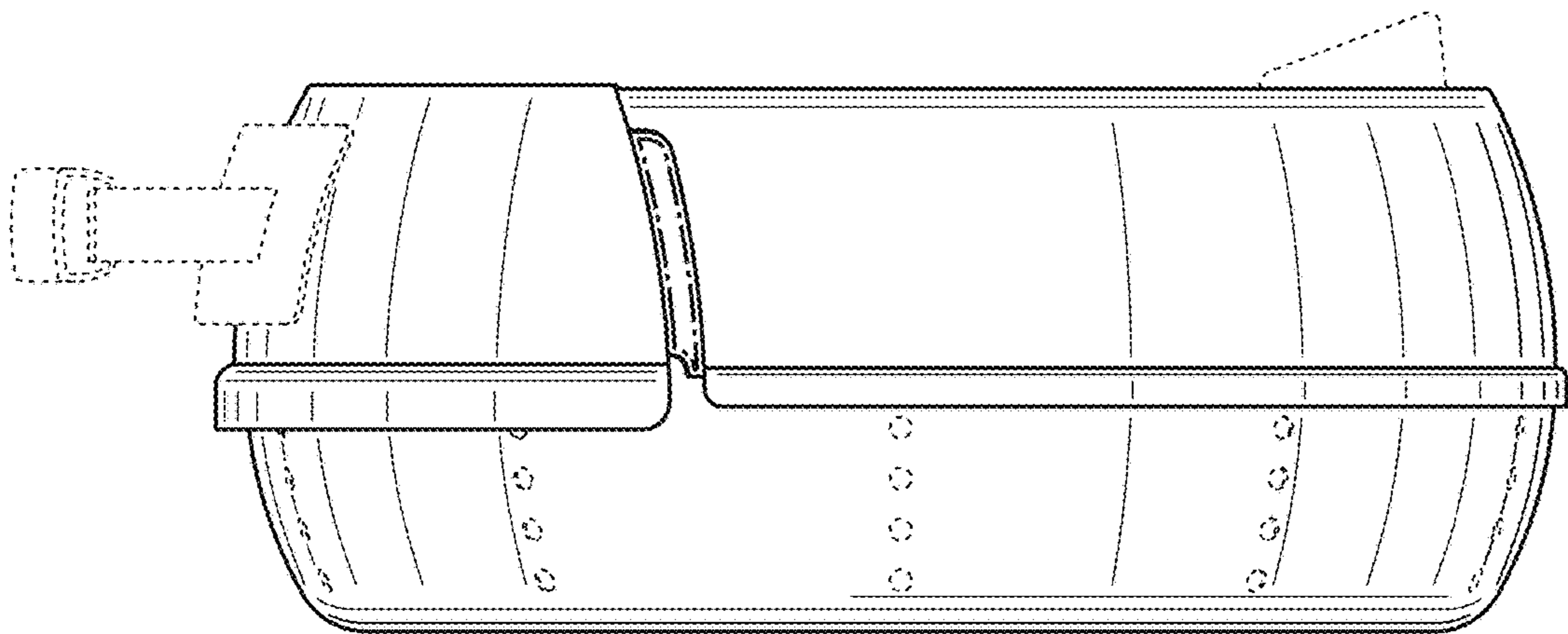
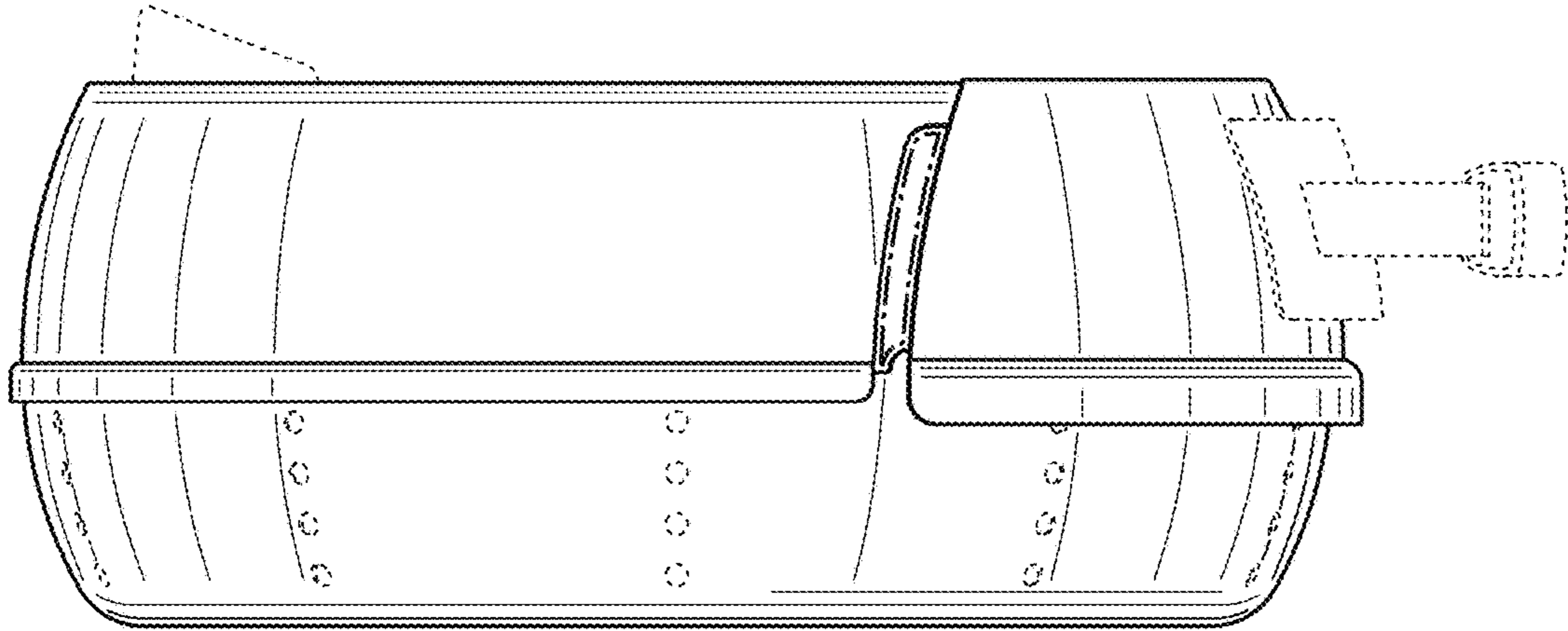
**FIG. 4**



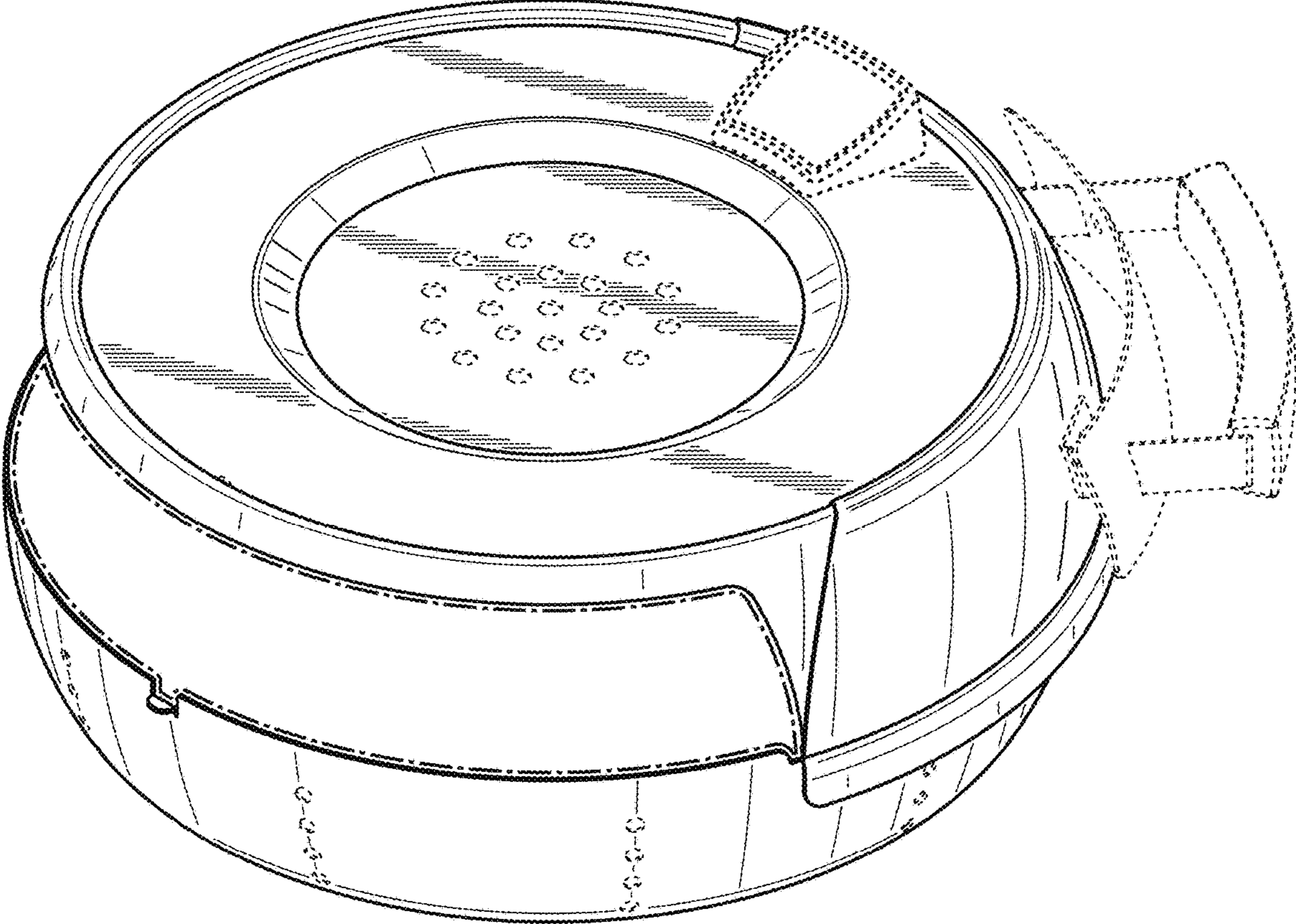
**FIG. 6**



**FIG. 7**



**FIG. 8**



**FIG. 9**