



US00D807107S

(12) **United States Design Patent**  
**Garman**

(10) **Patent No.:** **US D807,107 S**  
(45) **Date of Patent:** **\*\* Jan. 9, 2018**

- (54) **KITCHEN APPLIANCE**
- (71) Applicant: **Hamilton Beach Brands, Inc.**, Glen Allen, VA (US)
- (72) Inventor: **Michael Garman**, Moseley, VA (US)
- (73) Assignee: **Hamilton Beach Brands, Inc.**, Glen Allen, VA (US)
- (\*\*) Term: **15 Years**
- (21) Appl. No.: **29/597,621**
- (22) Filed: **Mar. 17, 2017**
- (51) **LOC (11) Cl.** ..... **07-02**
- (52) **U.S. Cl.**  
USPC ..... **D7/354**
- (58) **Field of Classification Search**  
USPC ..... D7/323, 354-361  
CPC ..... A23L 1/01; A23L 1/0107; A23L 1/0114;  
A47J 27/00; A47J 27/004; A47J 27/08;  
A47J 27/09; A47J 27/092; A47J 36/025;  
A47J 36/06; A47J 36/08; A47J 36/10;  
A47J 36/12; A47J 36/165; A47J 36/18;  
A47J 36/20; A47J 36/22; A47J 37/00;  
A47J 37/12; A47J 37/1204; A47J  
37/1209; A47J 37/1214; A47J 37/1219;  
A47J 37/1266; A47J 37/1285; A47J  
37/129; A47J 37/1295; G07F 17/0064;  
G07F 17/0078; G07F 17/0085; H05B  
6/02; H05B 6/06; H05B 6/12  
See application file for complete search history.

D418,360 S *	1/2000	Kei	.....	D7/354
D436,795 S	1/2001	Martres et al.		
6,263,787 B1 *	7/2001	Tseng	.....	A47J 27/004 126/369
D463,192 S	9/2002	Uneo et al.		
D585,238 S *	1/2009	Tseng	.....	D7/361
D592,008 S *	5/2009	Reiner	.....	D7/354
D598,700 S *	8/2009	Seymour	.....	D7/354
D611,757 S *	3/2010	Reiner	.....	D7/354
D636,629 S *	4/2011	Jerstroem	.....	D7/354
D675,476 S	2/2013	De'Longhi		
D676,271 S	2/2013	Reiner		
D677,112 S *	3/2013	Piret	.....	D7/354
D677,113 S	3/2013	Reiner		
D711,679 S *	8/2014	Day	.....	D7/354
D770,220 S *	11/2016	Chung	.....	D7/354
D770,843 S *	11/2016	Chung	.....	D7/354

\* cited by examiner

*Primary Examiner* — Ricky Pham

(74) *Attorney, Agent, or Firm* — Alexander D. Raring

(57) **CLAIM**

The ornamental design for a kitchen appliance, as shown and described.

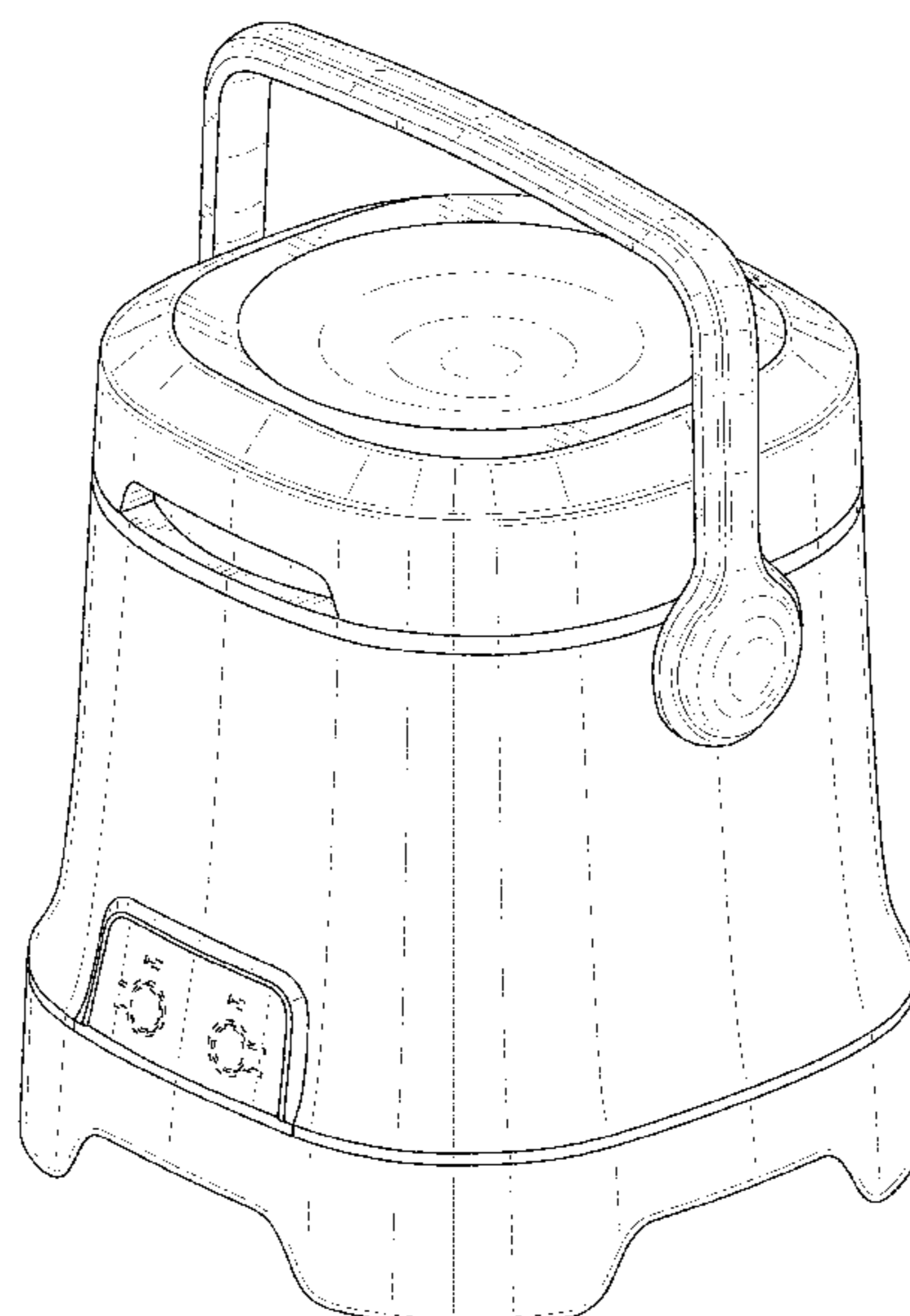
**DESCRIPTION**

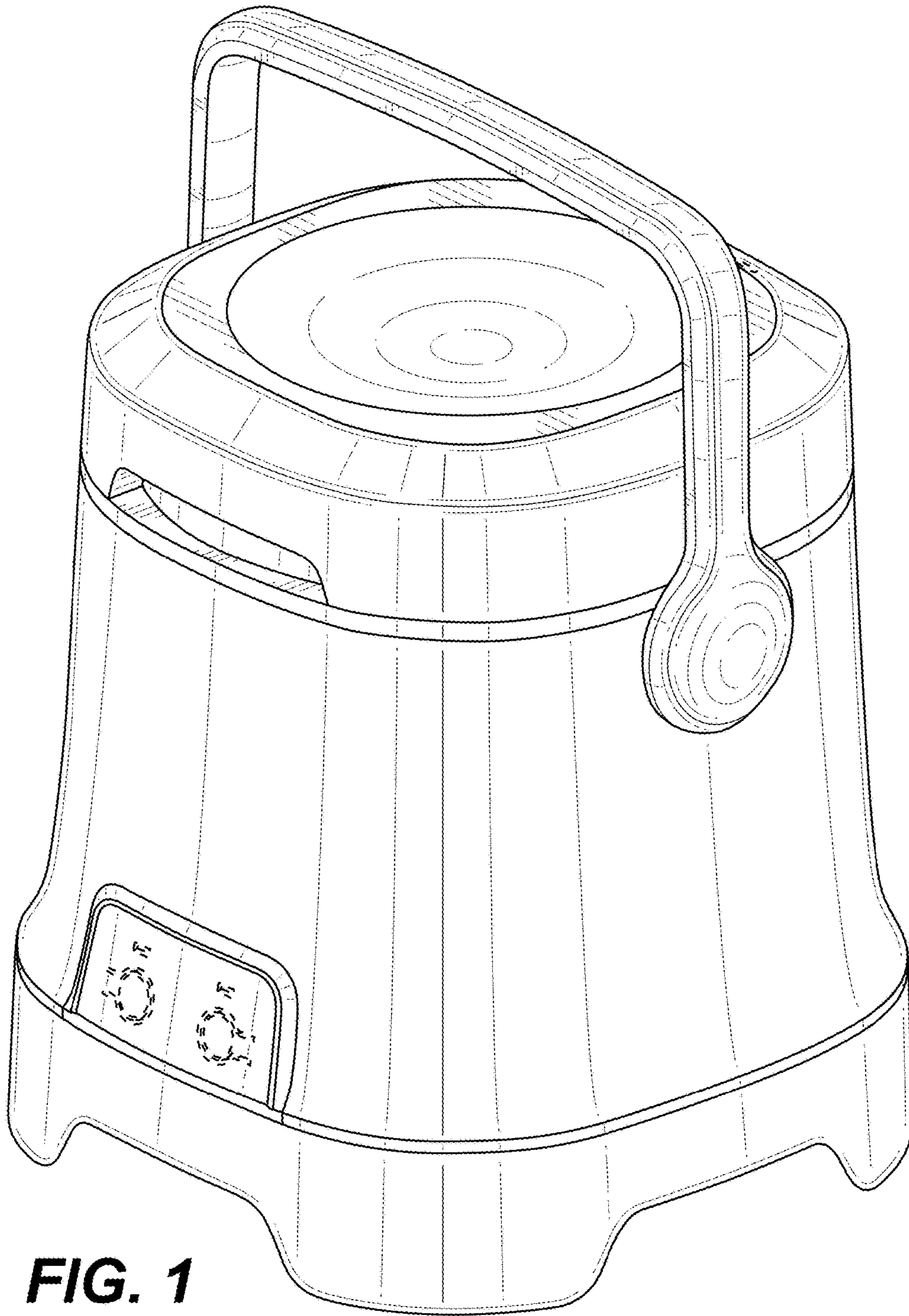
FIG. 1 is a perspective view as seen from the top, right and front sides of a kitchen appliance showing the new design; FIG. 2 is a front view thereof; FIG. 3 is a rear view thereof; FIG. 4 is a right side view thereof; FIG. 5 is a left side view thereof; FIG. 6 is a top view thereof; FIG. 7 is a bottom view thereof; and, FIG. 8 is an alternative perspective view as seen from the top, right and front sides thereof. Any broken line illustration of the structure in the drawings is not part of the claimed design.

**1 Claim, 8 Drawing Sheets**

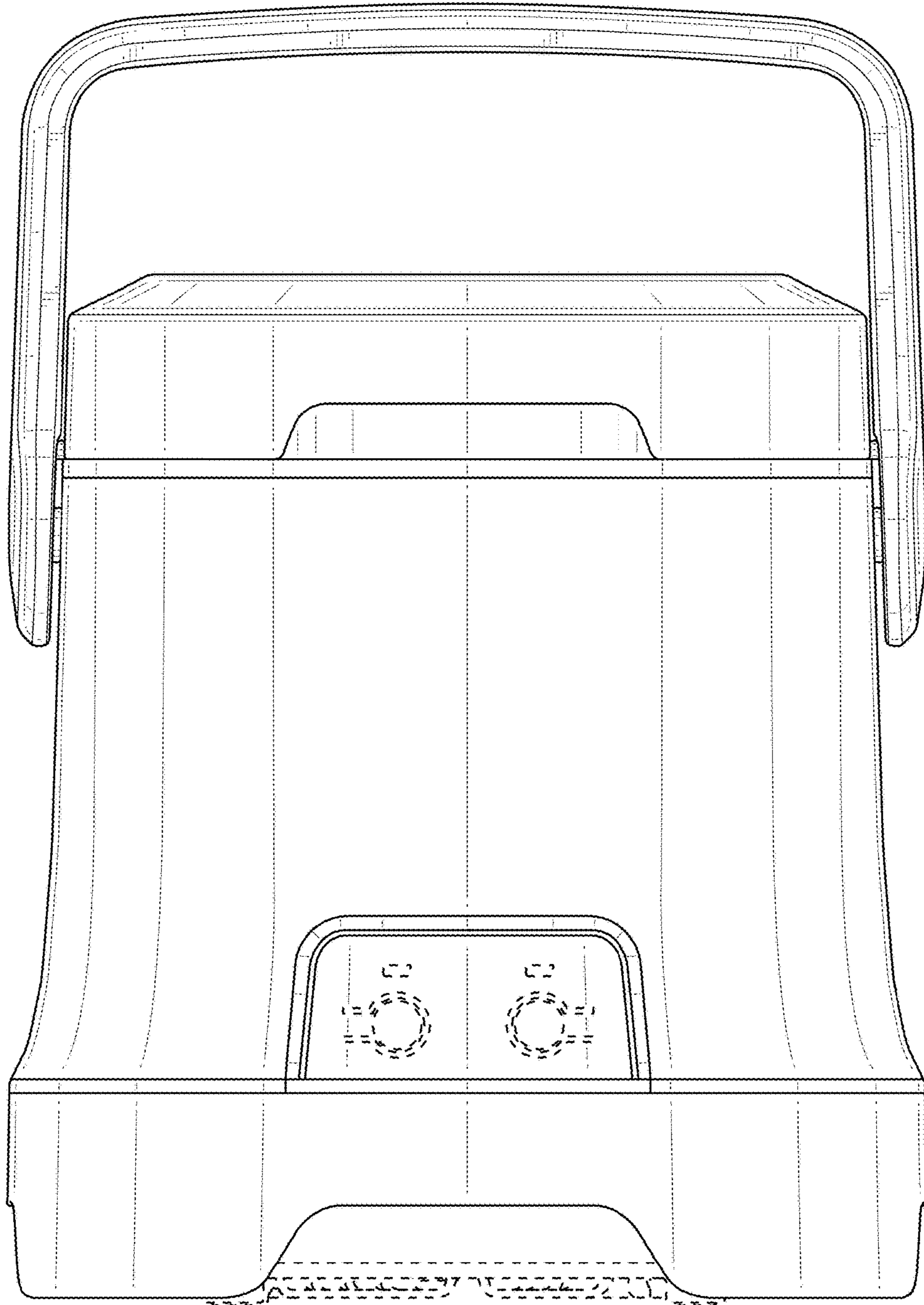
(56) **References Cited**  
U.S. PATENT DOCUMENTS

D246,686 S *	12/1977	Boldt	.....	D7/354
D345,280 S *	3/1994	Powell	.....	D7/323
D378,647 S	4/1997	Piret		



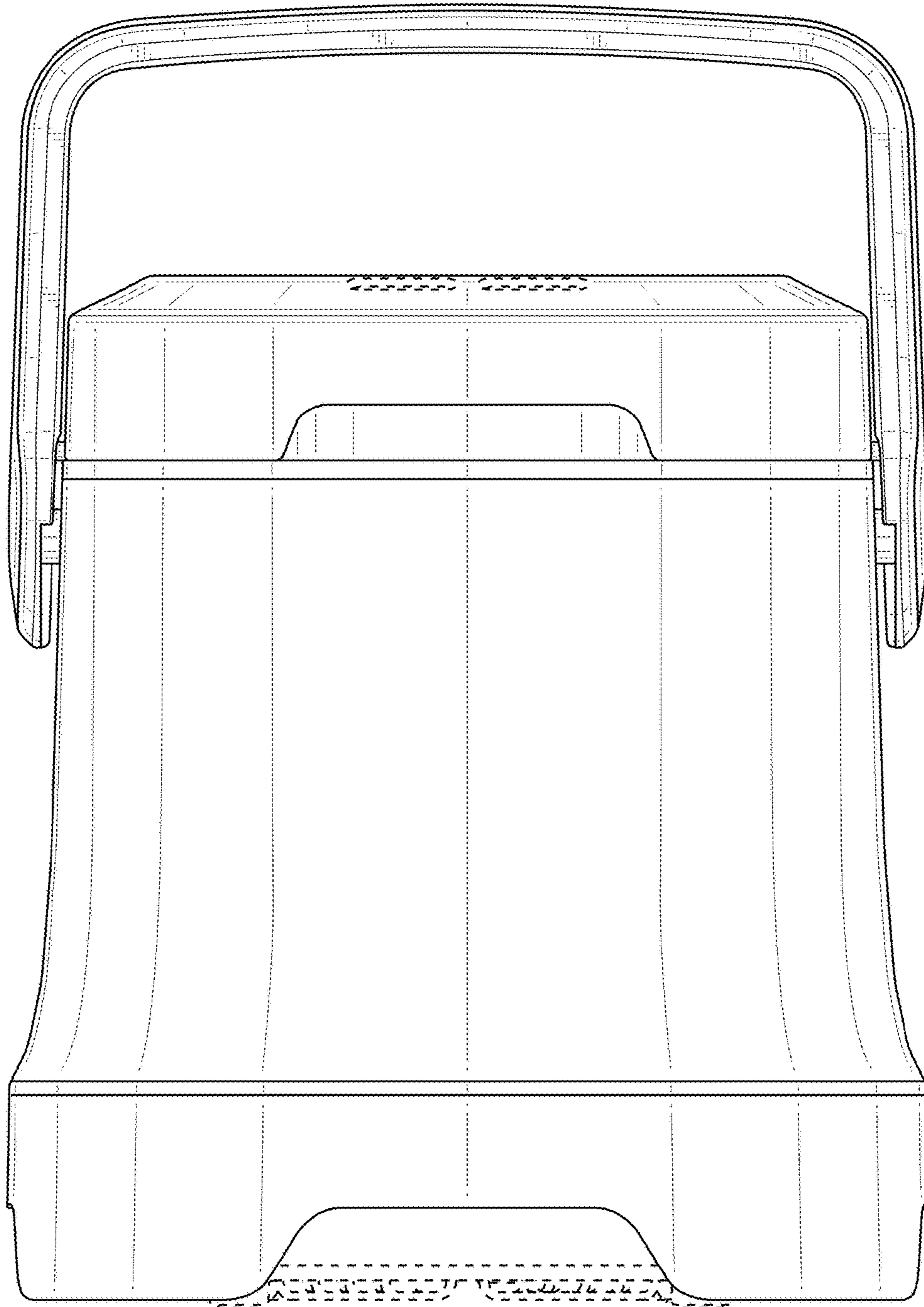


**FIG. 1**

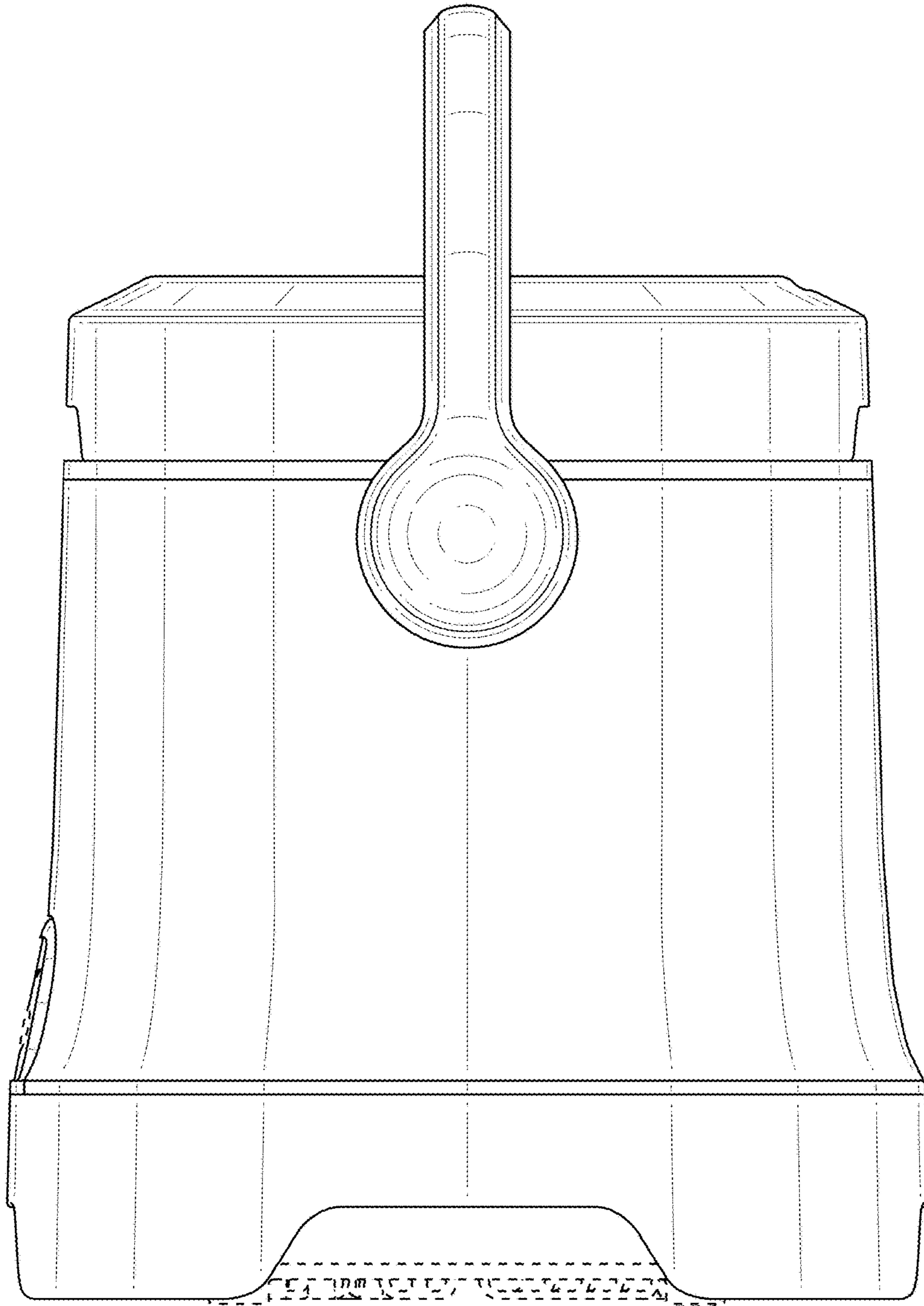


**FIG. 2**

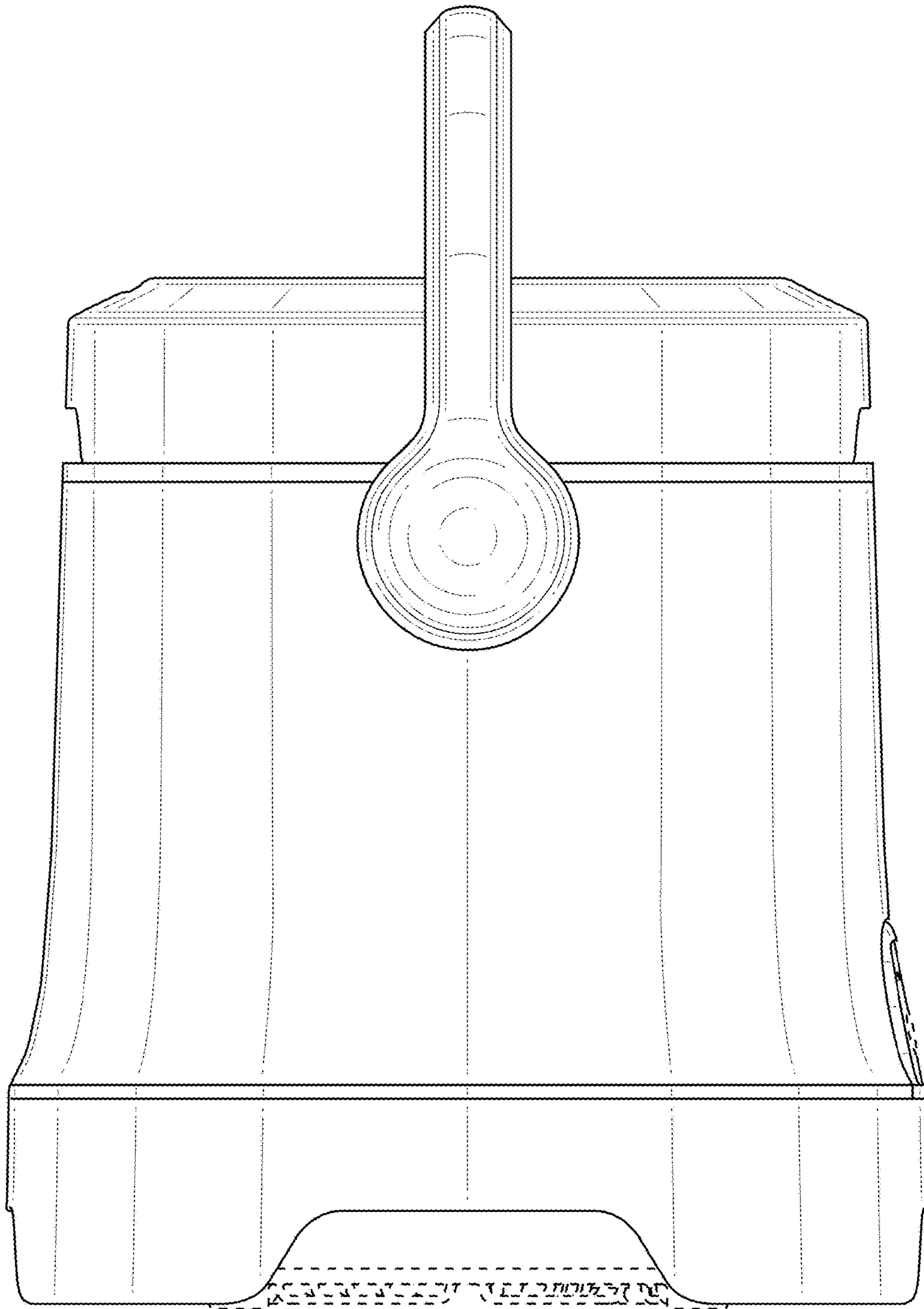




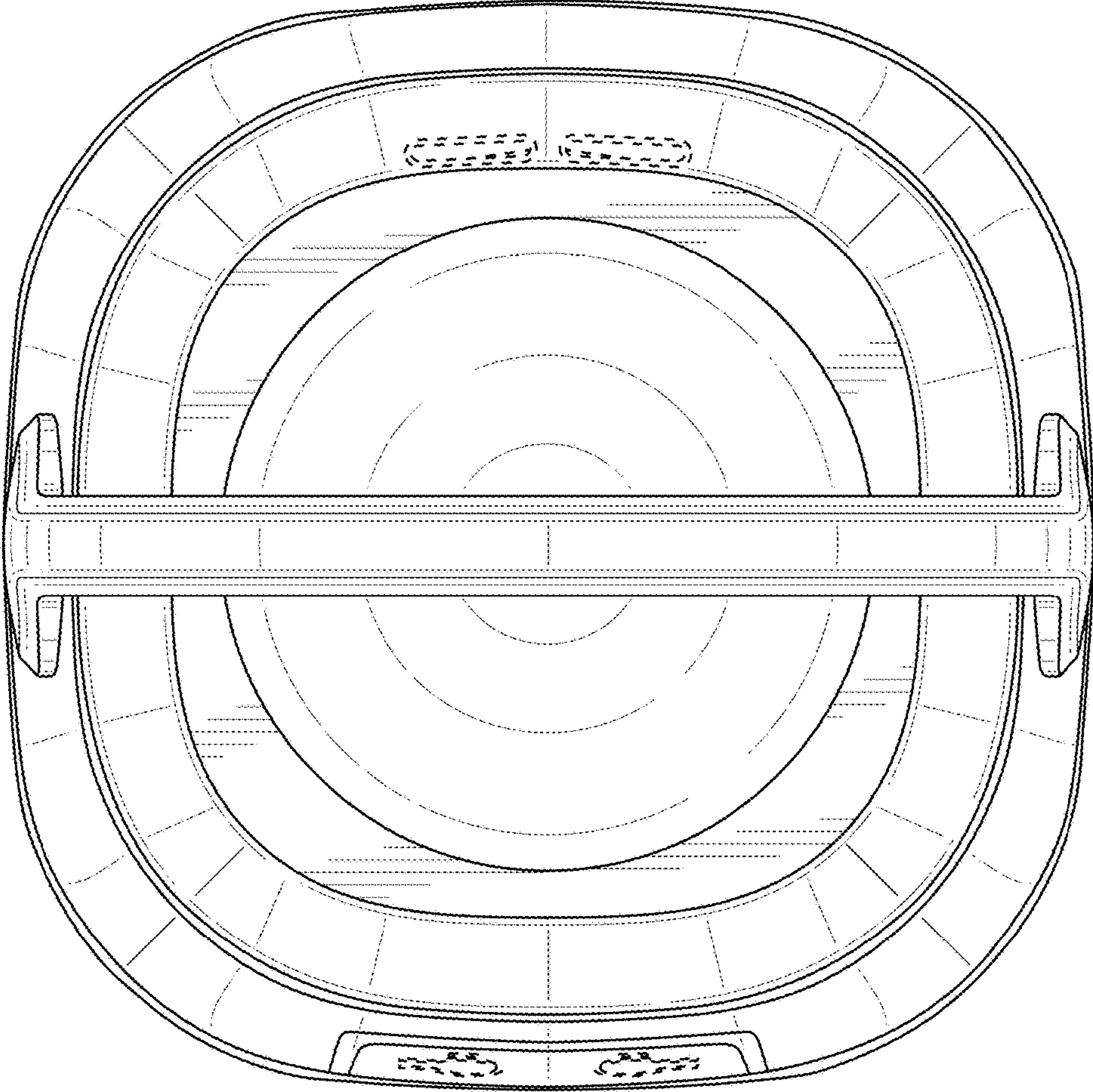
**FIG. 3**



**FIG. 4**

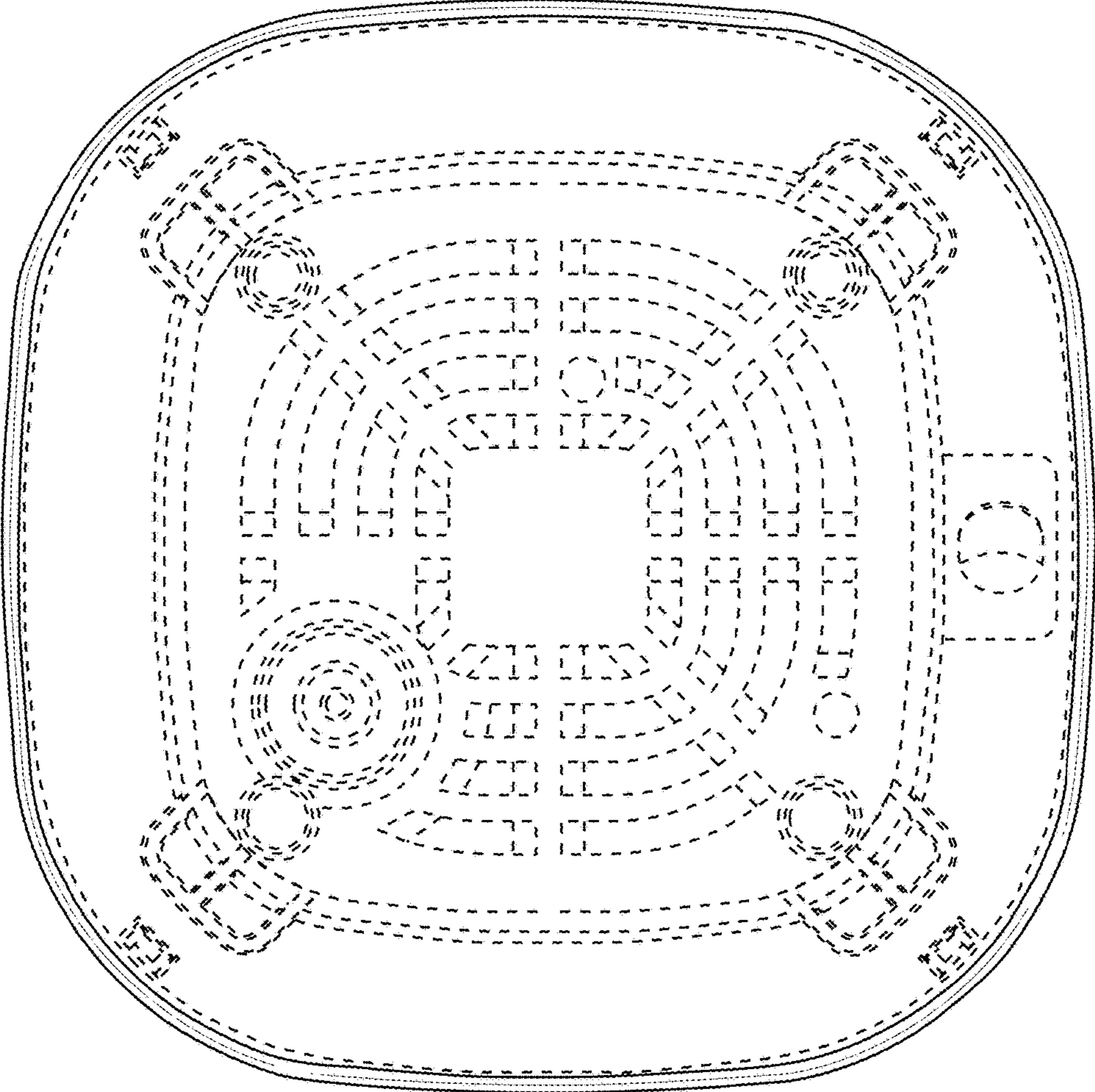


**FIG. 5**



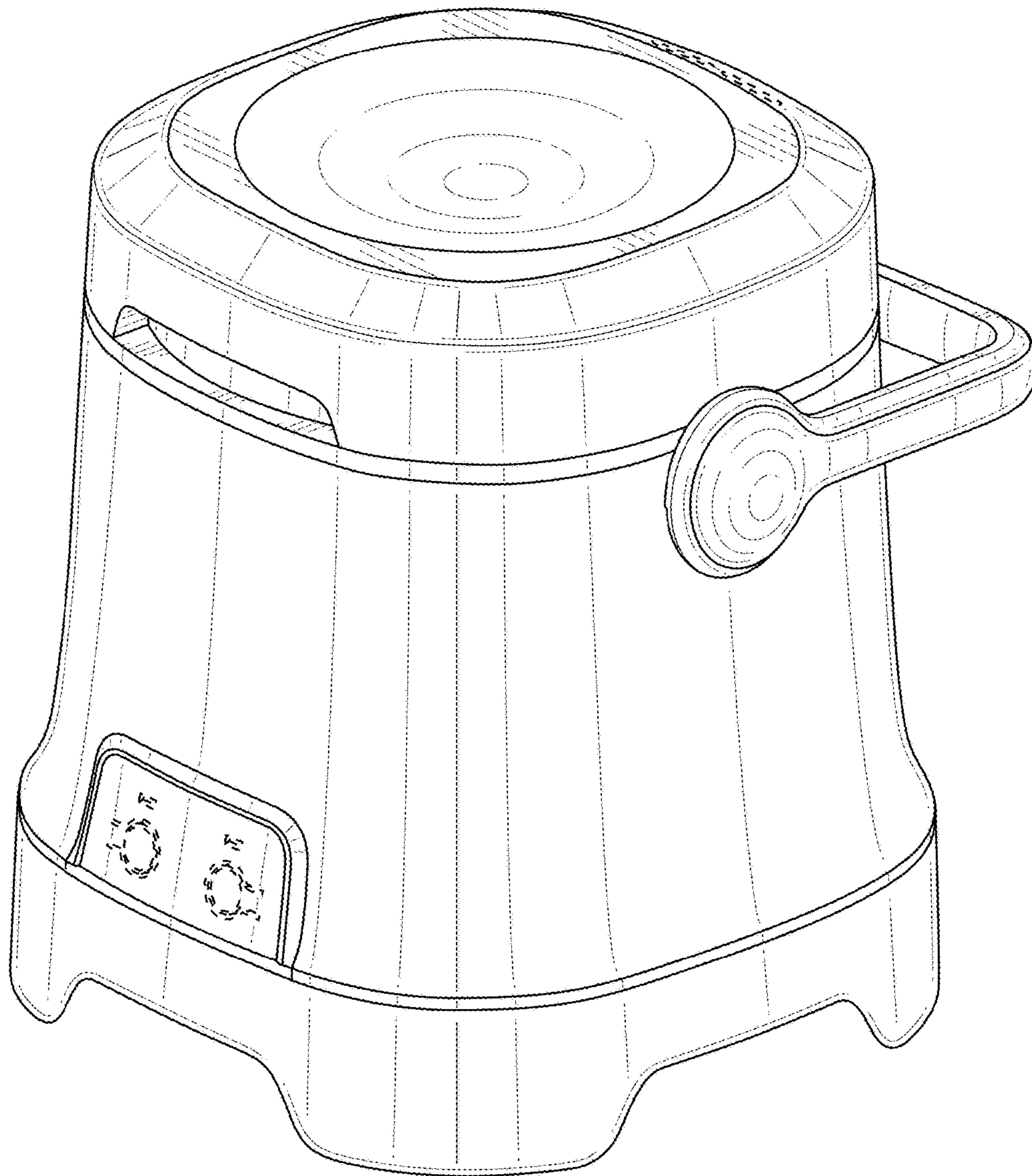
**FIG. 6**





**FIG. 7**





**FIG. 8**