



US00D807106S

(12) **United States Design Patent**
Roberson

(10) **Patent No.:** **US D807,106 S**
(45) **Date of Patent:** **** Jan. 9, 2018**

- (54) **COOK TOP AND/OR COMPONENT THEREOF**
- (71) Applicant: **BSH Home Appliances Corporation**, Irvine, CA (US)
- (72) Inventor: **Lindsay Roberson**, Durham, NC (US)
- (73) Assignee: **BSH Home Appliances Corporation**, Irvine, CA (US)
- (**) Term: **15 Years**
- (21) Appl. No.: **29/529,140**
- (22) Filed: **Jun. 4, 2015**

D563,716 S *	3/2008	Grey et al.	D7/346
D606,358 S *	12/2009	Busalt et al.	D7/346
D641,583 S *	7/2011	Sadtler	D7/346
D655,565 S *	3/2012	Goss et al.	D7/346
D671,789 S *	12/2012	Goss et al.	D7/346
D690,151 S *	9/2013	Sadtler	D7/346
D696,894 S *	1/2014	Meda et al.	D7/346
D705,009 S *	5/2014	Kwack et al.	D7/407
D708,004 S *	7/2014	Sadtler	D7/346

(Continued)

Primary Examiner — Michael A Pratt

(74) *Attorney, Agent, or Firm* — Michael E. Tschupp; Andre Pallapies; Brandon G. Braun

(57) **CLAIM**

The ornamental design for a cooktop and/or components thereof, as shown and described.

DESCRIPTION

FIG. 1 is a top, front perspective view of a cook top according to an embodiment showing my new ornamental design;

FIG. 2 is a top view thereof;

FIG. 3 is a front view thereof, with the rear view thereof being a mirror image;

FIG. 4 is a right side view thereof, with the left side thereof being a mirror image thereof;

FIG. 5 is an enlarged detail of the user interface shown in FIG. 2;

FIG. 6 is a top view of a cook top according to an embodiment showing my new ornamental design; and,

FIG. 7 is an enlarged detail of the user interface shown in FIG. 6, which constitutes yet another embodiment of my ornamental design.

The broken lines represent environment or structure and do not form a portion of the claimed design.

In any given embodiment, one or more views may be missing, which is an indication that the missing view is either not ornamented or is not claimed in that particular embodiment.

Related U.S. Application Data

(62) Division of application No. 29/468,355, filed on Sep. 30, 2013, now Pat. No. Des. 733,484.

(51) **LOC (11) Cl.** **07-02**

(52) **U.S. Cl.**
USPC **D7/346**

(58) **Field of Classification Search**
USPC D7/323, 336, 337, 339, 340, 346, 347, D7/348, 402–409, 387; D14/126, 335, D14/336, 371
CPC F24C 15/10; F24C 3/126; F24C 15/2007; F24C 15/04; F24C 3/008; F24C 3/047; F24C 3/067; F24C 3/08; F24C 3/10; F24C 3/12; F24C 3/124; F24C 5/12; F24C 7/083; H05B 6/062; H05B 6/1218; H05B 6/1209; H05B 1/0266; H05B 1/0258

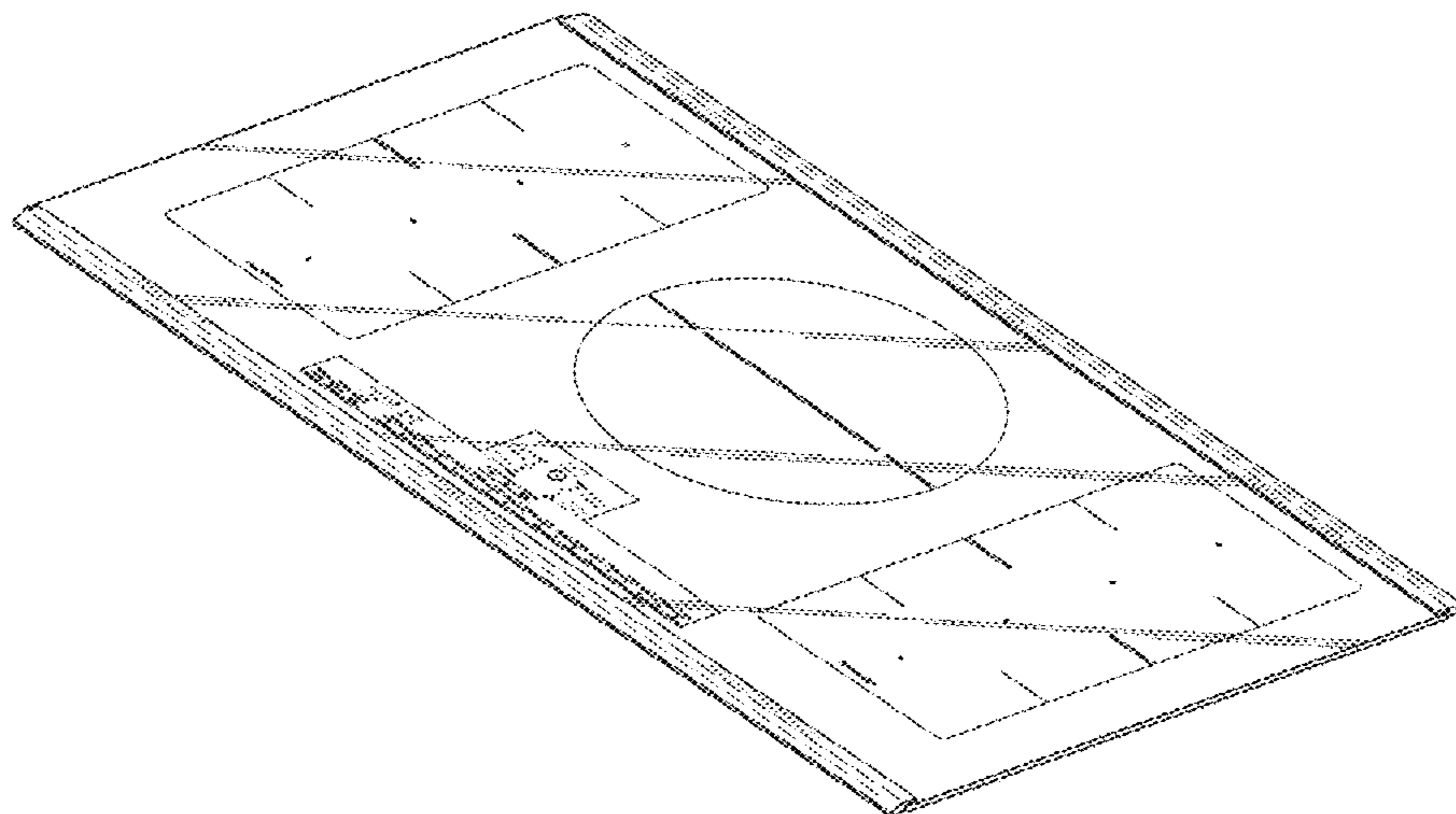
See application file for complete search history.

(56) **References Cited**

U.S. PATENT DOCUMENTS

D560,957 S *	2/2008	Grey et al.	D7/346
D563,715 S *	3/2008	Grey et al.	D7/346

1 Claim, 6 Drawing Sheets



(56)

References Cited

U.S. PATENT DOCUMENTS

D710,142 S * 8/2014 Knoll D7/346
D715,587 S * 10/2014 Knoll D7/346

* cited by examiner

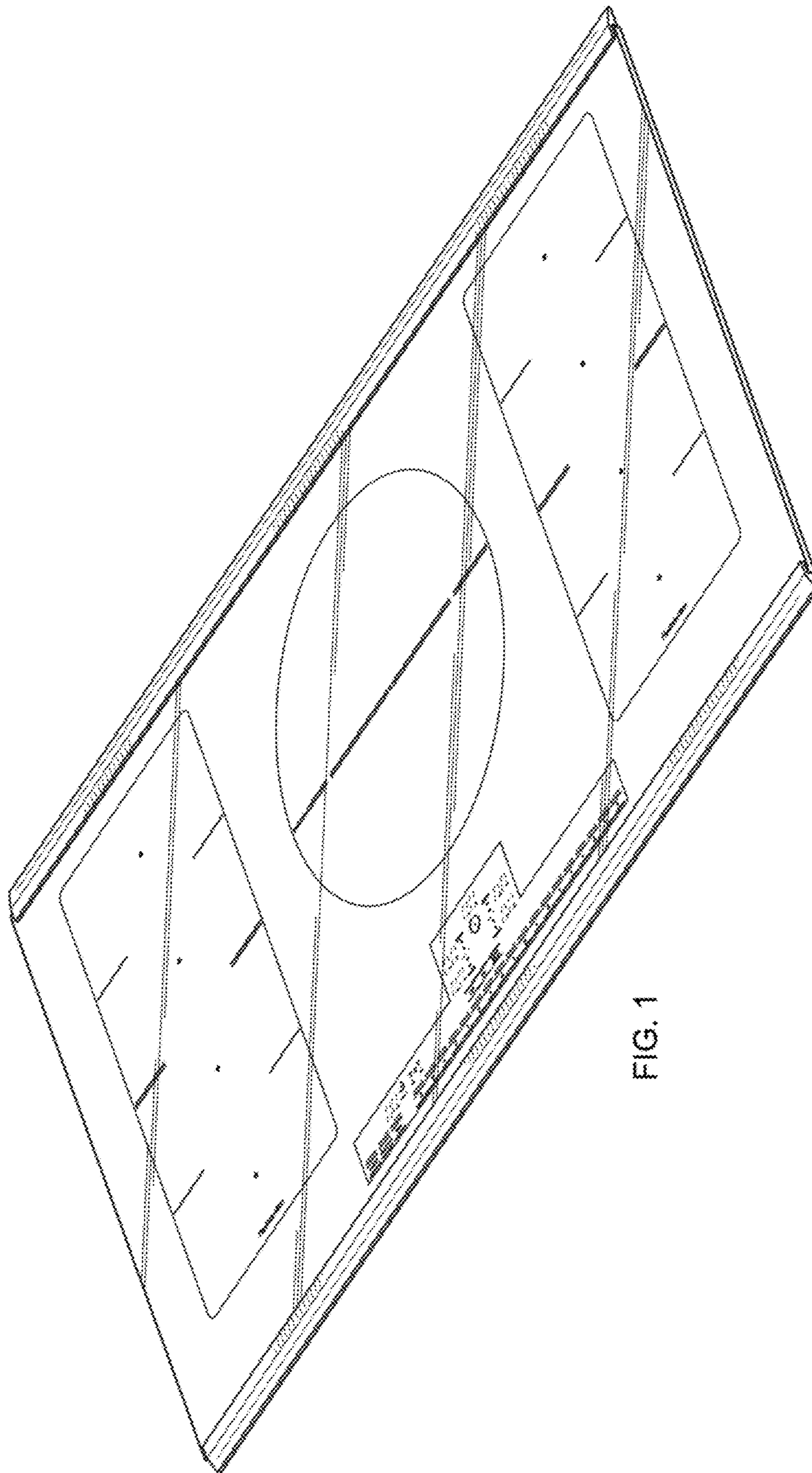


FIG. 1

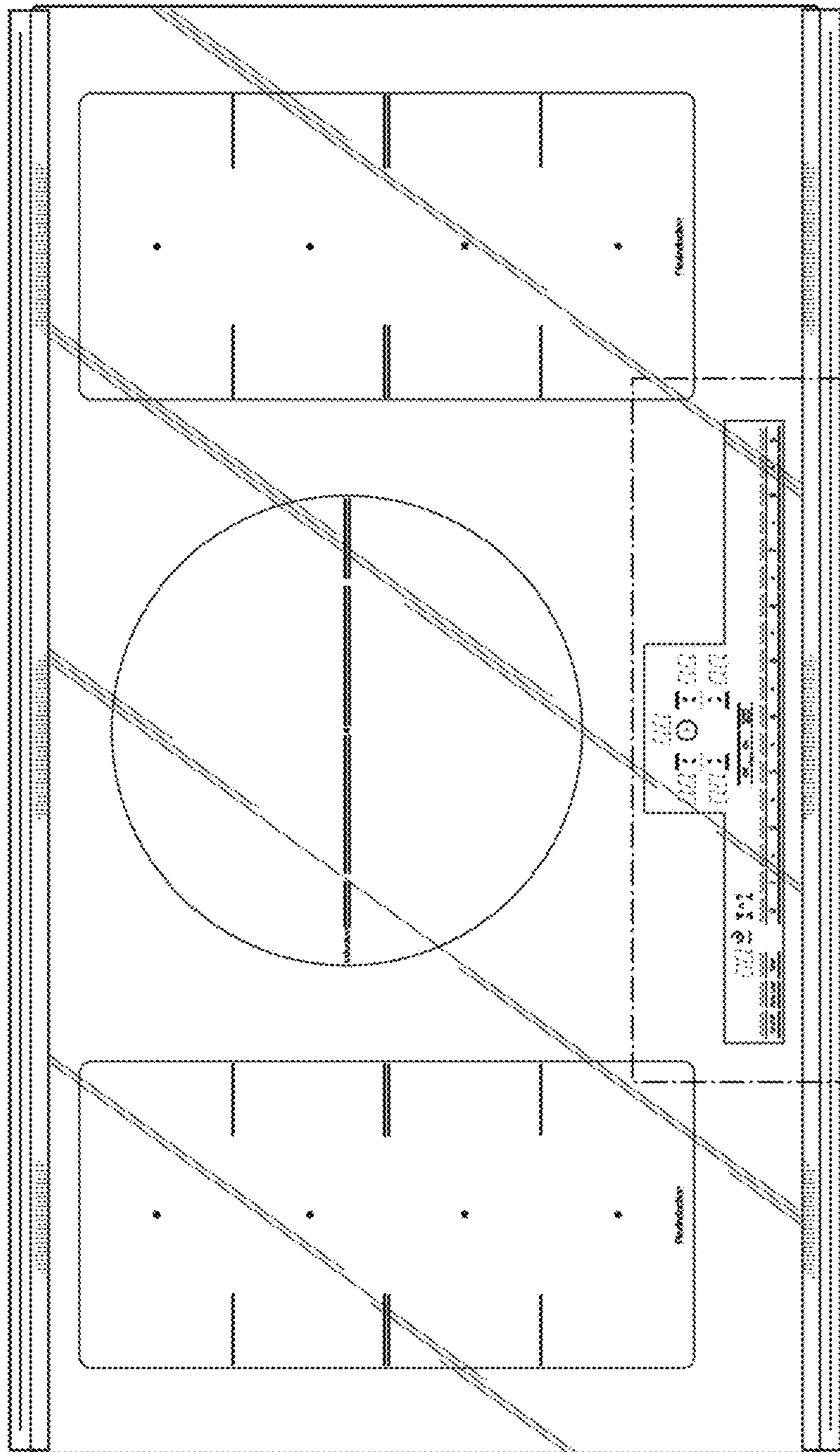


FIG. 5

FIG. 2

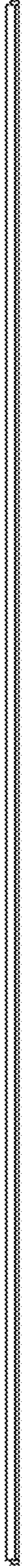


FIG. 3

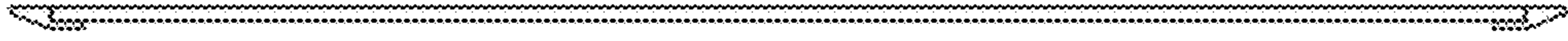


FIG. 4

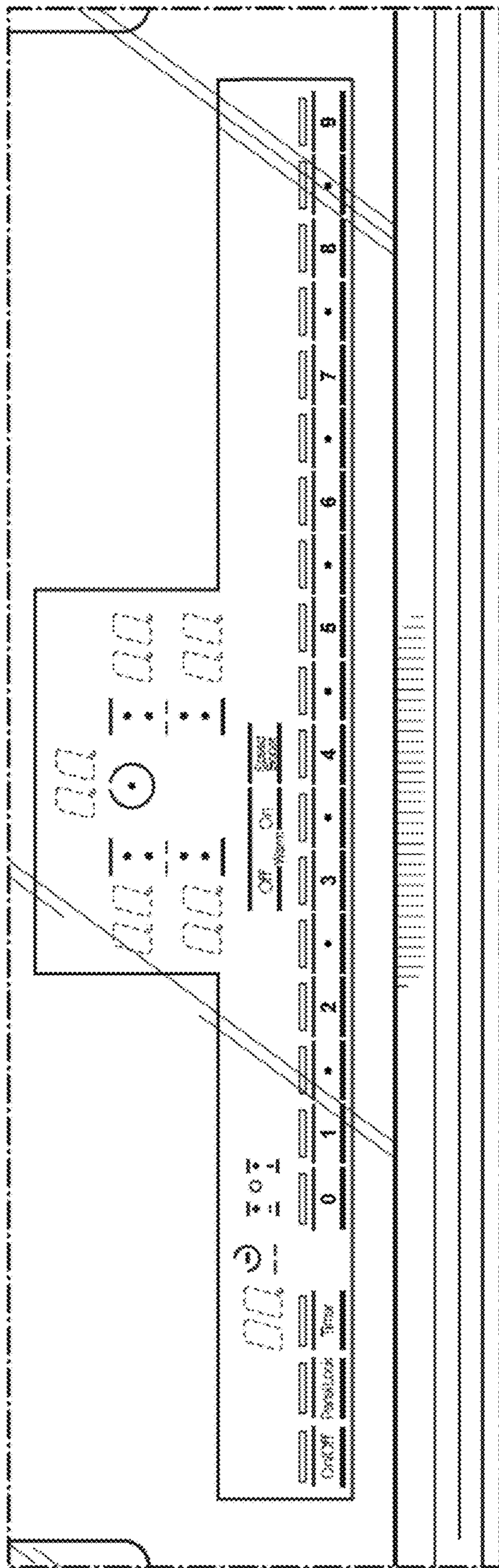


FIG. 5

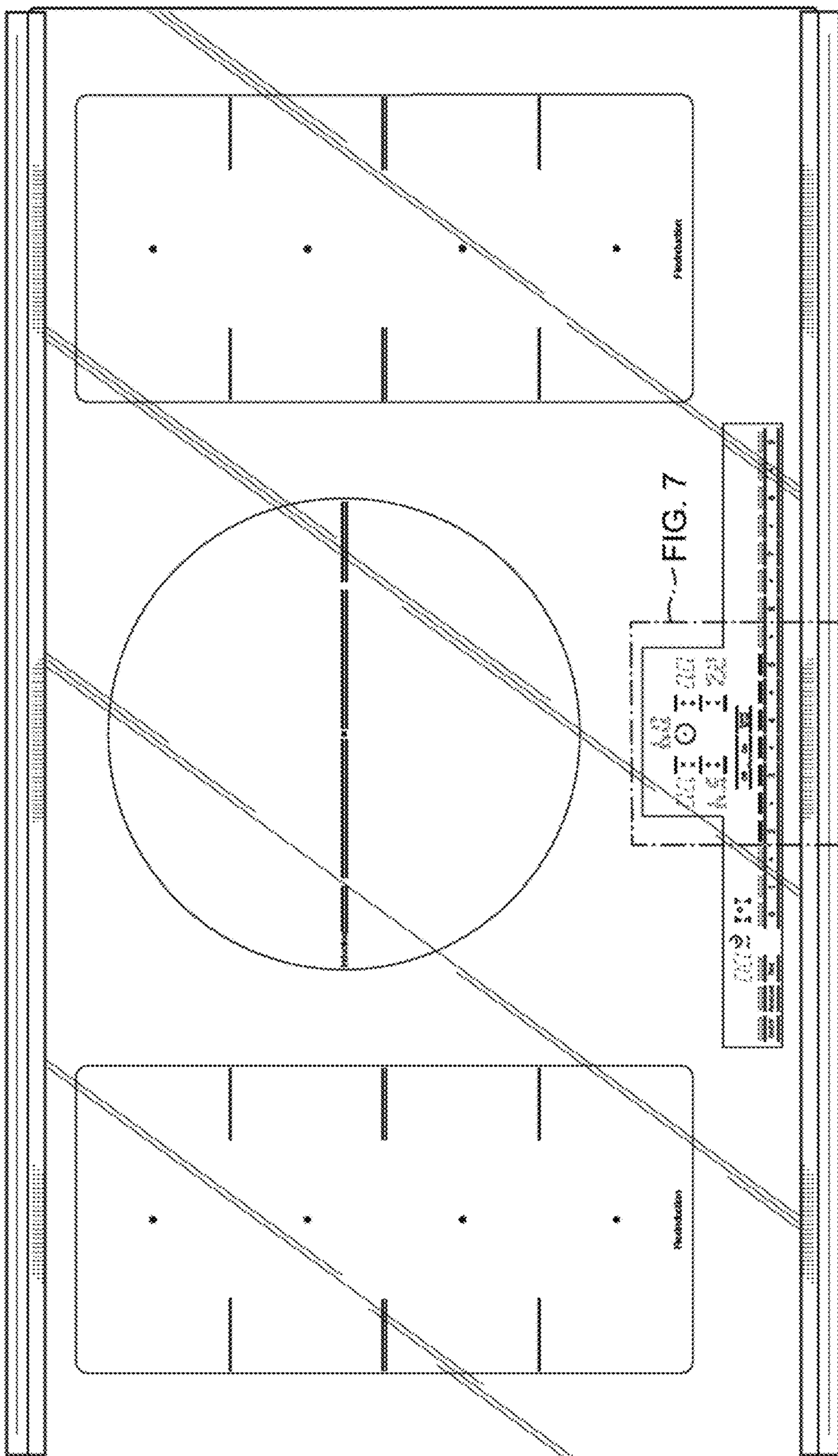


FIG. 6

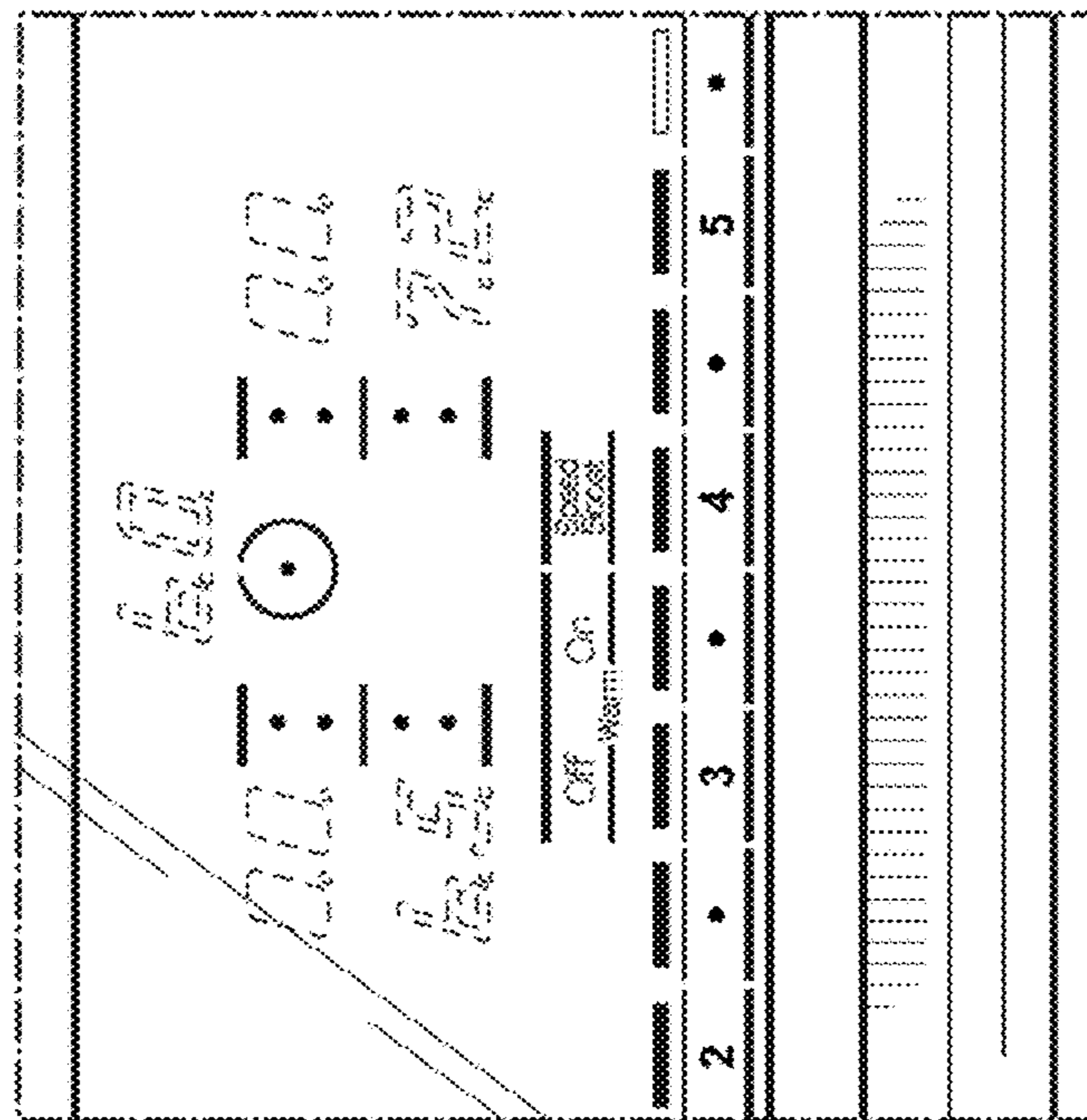


FIG. 7