

US00D807105S

(12) **United States Design Patent** (10) **Patent No.:** **US D807,105 S**
Moss (45) **Date of Patent:** **** Jan. 9, 2018**

(54) **BARBEQUE GRILL WITH INTEGRATED BEVERAGE DISPENSER**
(71) Applicant: **Fred Moss**, La Mesa, CA (US)
(72) Inventor: **Fred Moss**, La Mesa, CA (US)
(**) Term: **15 Years**
(21) Appl. No.: **29/563,741**
(22) Filed: **May 6, 2016**
(51) **LOC (11) Cl.** **07-02**
(52) **U.S. Cl.**
USPC **D7/334**
(58) **Field of Classification Search**
USPC D12/162; D7/305, 307, 308, 309, 313, D7/339, 347
CPC ... B60R 9/06; B60R 11/00; B60R 7/00; A47J 37/06; A47J 37/07; B60D 1/46; B60D 1/58
See application file for complete search history.

6,813,995 B1 11/2004 Sikes
7,159,509 B2 1/2007 Starkey
D566,631 S * 4/2008 Shahan D12/162
D573,837 S 7/2008 Drewery
7,469,630 B1 12/2008 Ray
D623,887 S * 9/2010 Kusch D7/306
D626,372 S * 11/2010 Taggart D7/313
D645,287 S * 9/2011 Kusch D7/300
D686,867 S * 7/2013 Ho D7/334
2008/0011143 A1 * 1/2008 Varcoe A01G 23/003 83/801
2008/0314946 A1 * 12/2008 Owenby A47J 37/0781 224/487
2015/0151692 A1 * 6/2015 Sprang, Jr. B60P 7/0823 211/70.6
2015/0217609 A1 * 8/2015 Ellis B60D 1/24 280/477

(Continued)

Primary Examiner — Manpreet S Matharu
Assistant Examiner — Suzanne E Tisdell
(74) *Attorney, Agent, or Firm* — Wagenknecht IP Law Group PC

(57) **CLAIM**

What is claimed is an ornamental design for a barbeque grill with integrated beverage dispenser, as shown and described.

DESCRIPTION

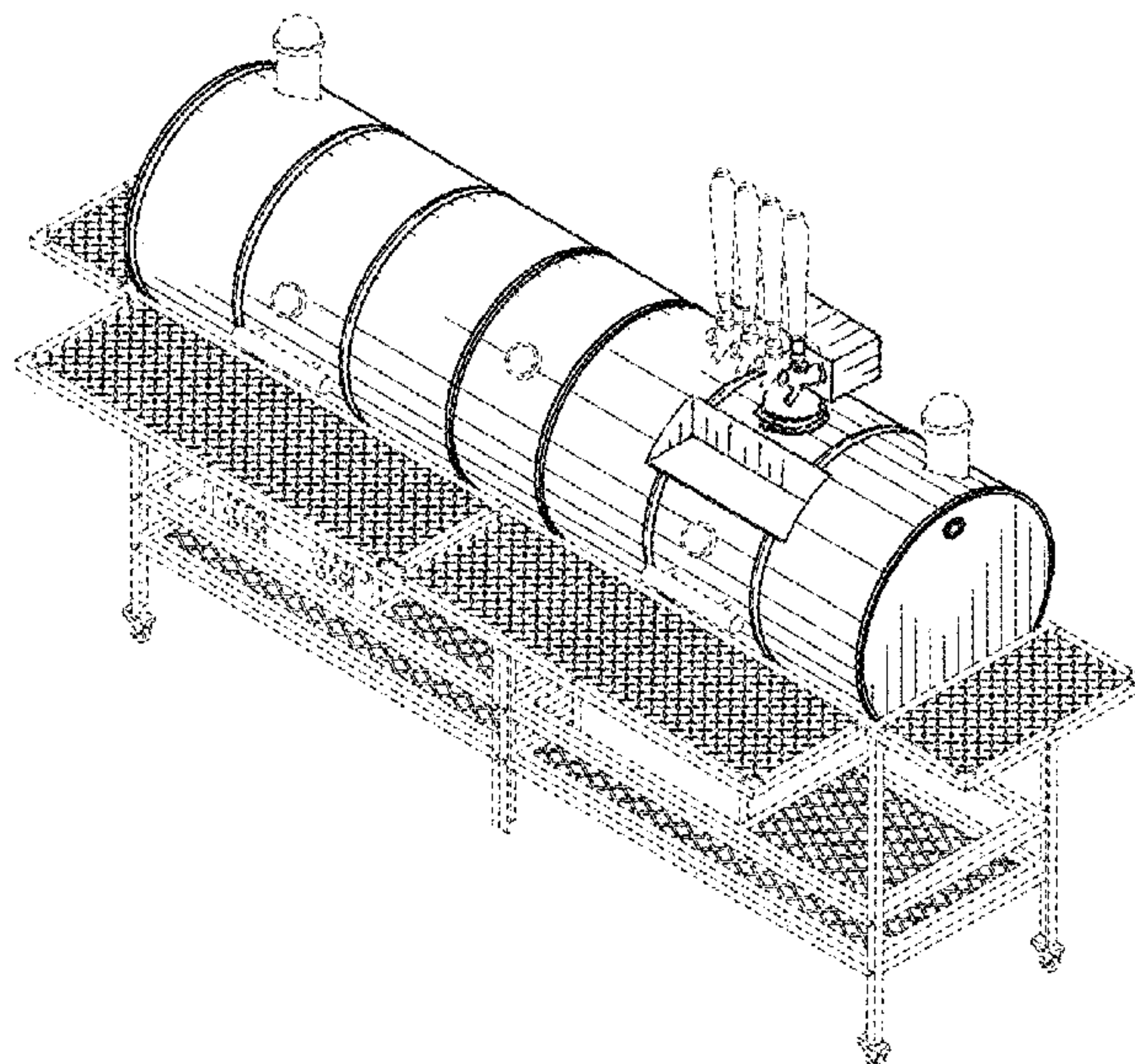
FIG. 1 is a top, front, right perspective view of a barbeque grill with integrated beverage dispenser showing our new design;
FIG. 2 is a front plan view thereof;
FIG. 3 is a rear plan view thereof;
FIG. 4 is a left plan view thereof;
FIG. 5 is a right plan view thereof;
FIG. 6 is a top plan view thereof; and,
FIG. 7 is a bottom plan view thereof.
Wherein the broken lines show environmental structure that forms no part of the claimed design.

1 Claim, 5 Drawing Sheets

(56) **References Cited**

U.S. PATENT DOCUMENTS

617,713 A 1/1899 Brackett
1,582,346 A 4/1926 Oster
2,497,156 A 2/1950 Davis
D229,660 S 12/1973 Gammon
4,664,026 A 5/1987 Milloy
4,665,891 A 5/1987 Nemec
5,033,449 A 7/1991 Hanagan
D342,121 S 12/1993 Lim
5,341,793 A 8/1994 Brown
D352,864 S 11/1994 Parker
5,480,170 A 1/1996 Kaiser, II
D378,646 S 4/1997 Dutro
D398,807 S * 9/1998 Fjelde D7/306
D411,072 S * 6/1999 Roundtree D7/307
D449,491 S 10/2001 Measom
D460,656 S 7/2002 Caulder



(56)

References Cited

U.S. PATENT DOCUMENTS

2016/0095328 A1* 4/2016 Reed A47J 37/07
426/315
2016/0290653 A1* 10/2016 Roy F24B 1/182

* cited by examiner

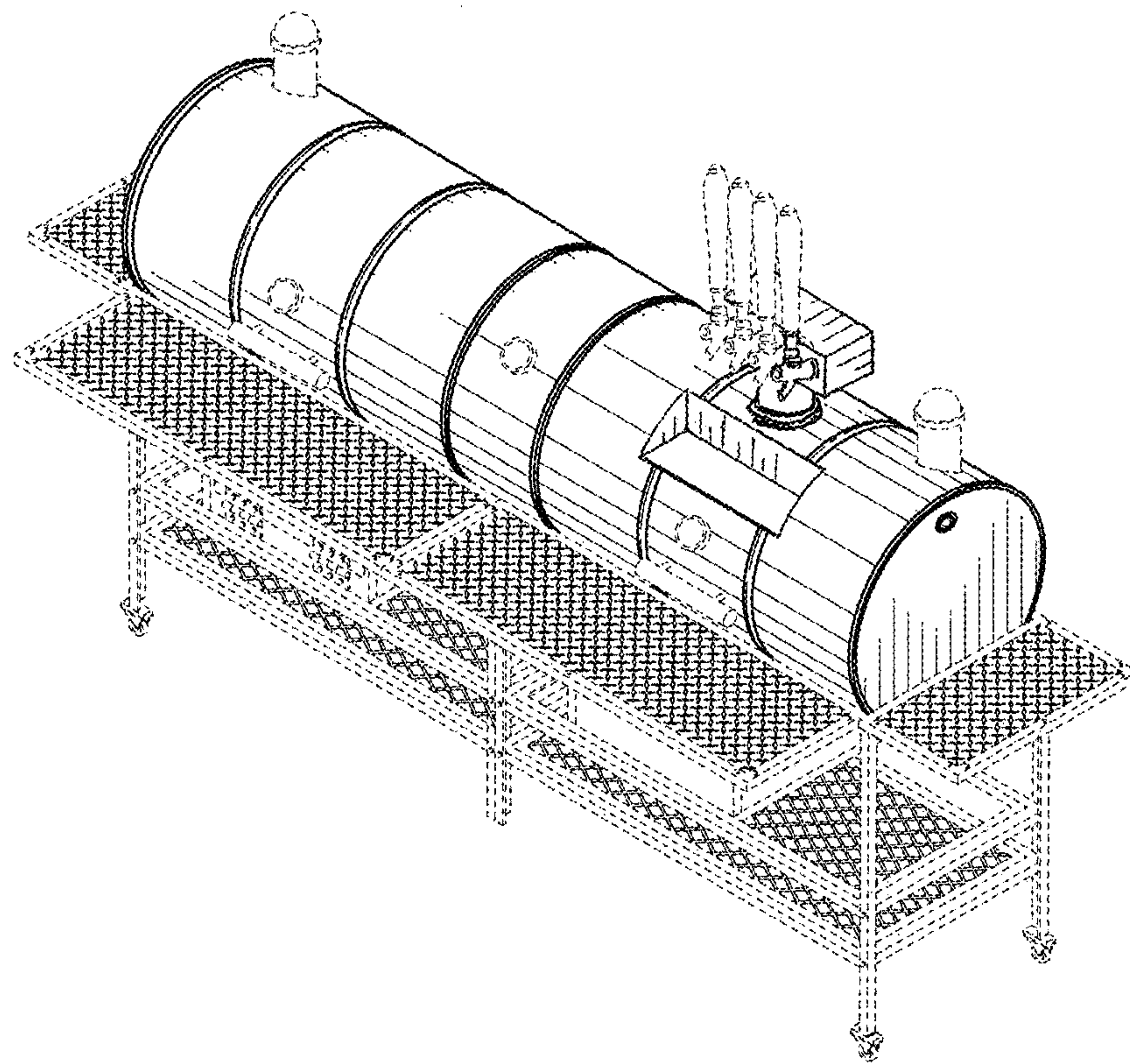


FIG. 1

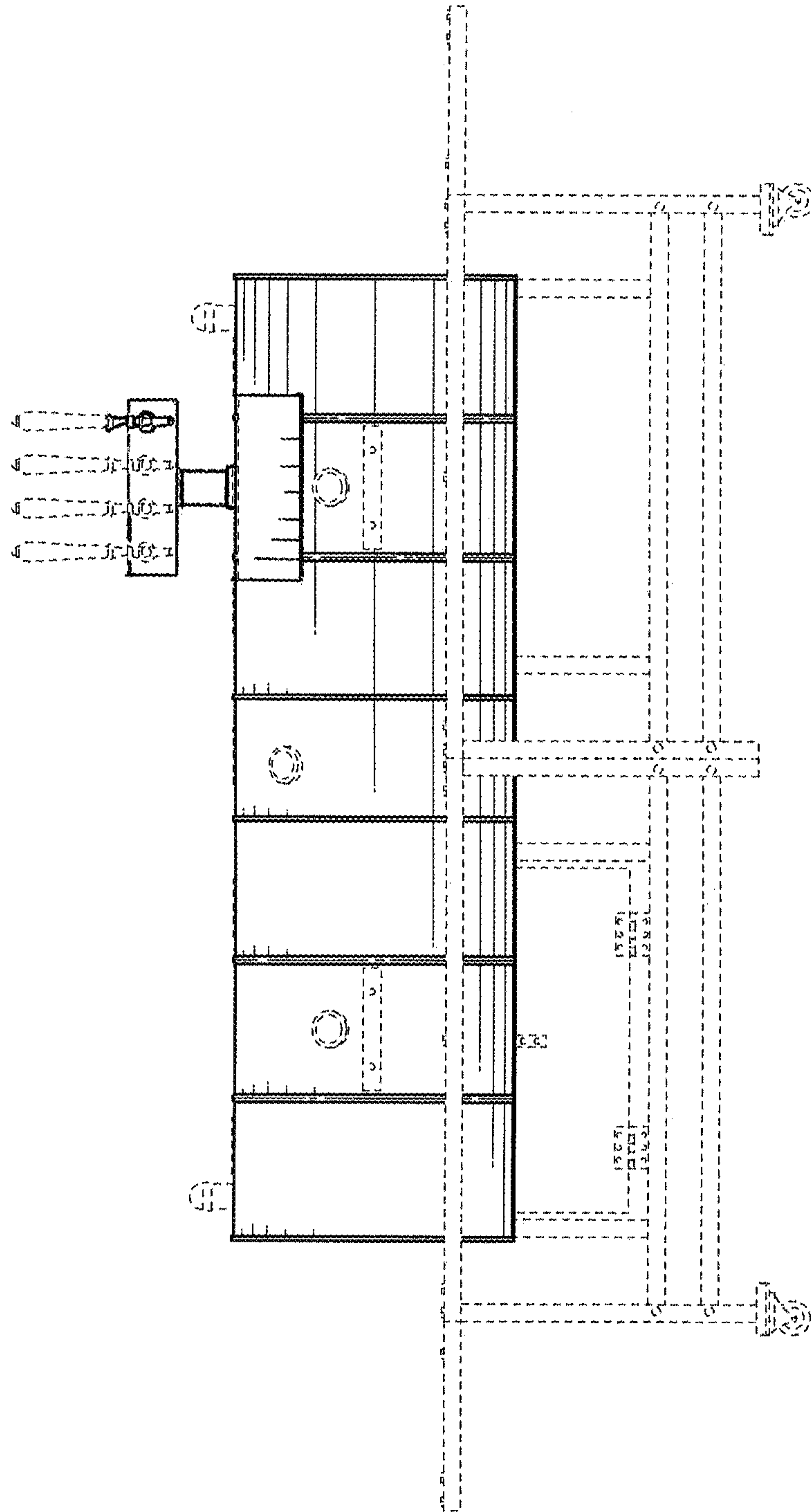


FIG. 2

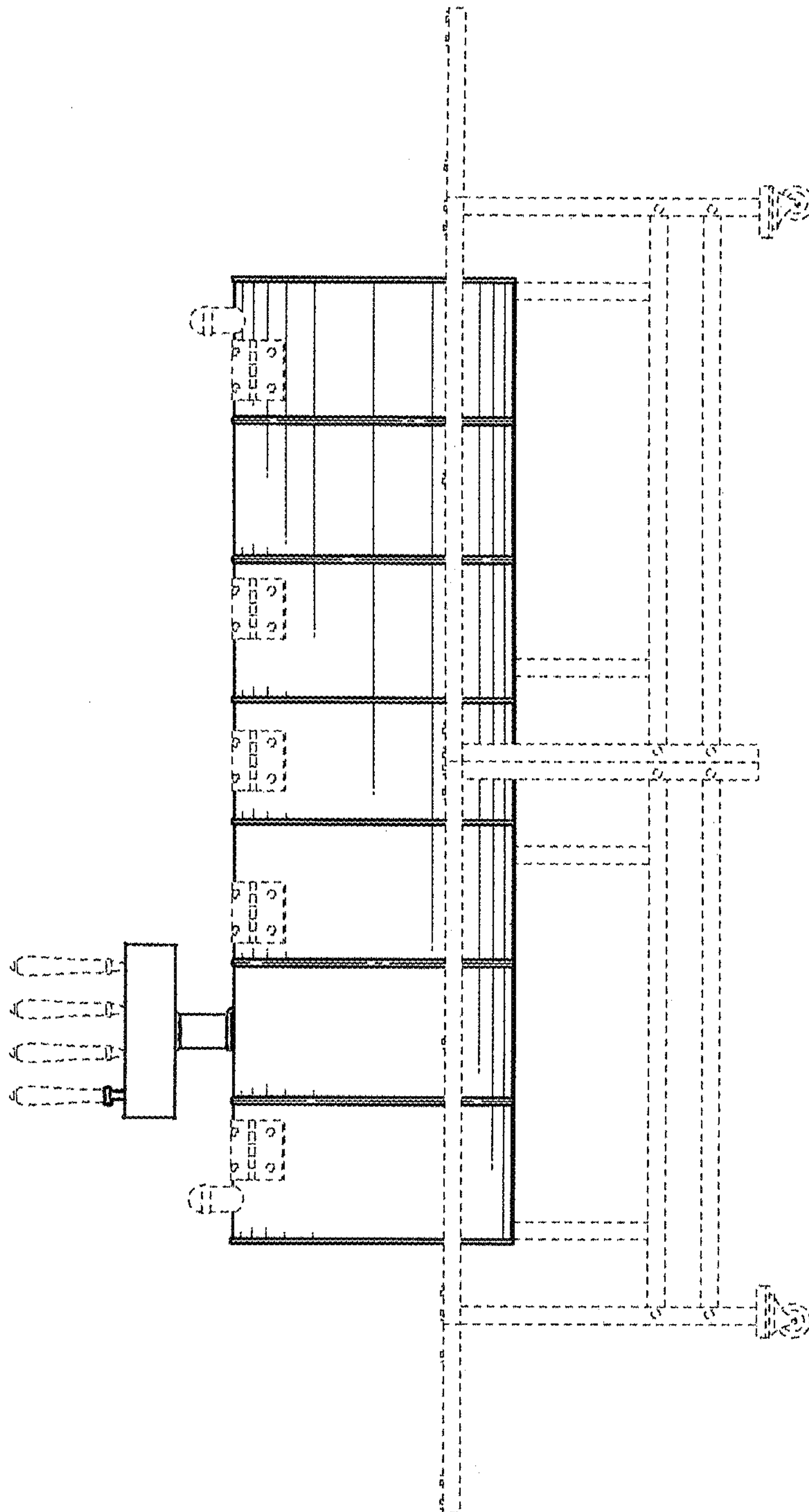


FIG. 3

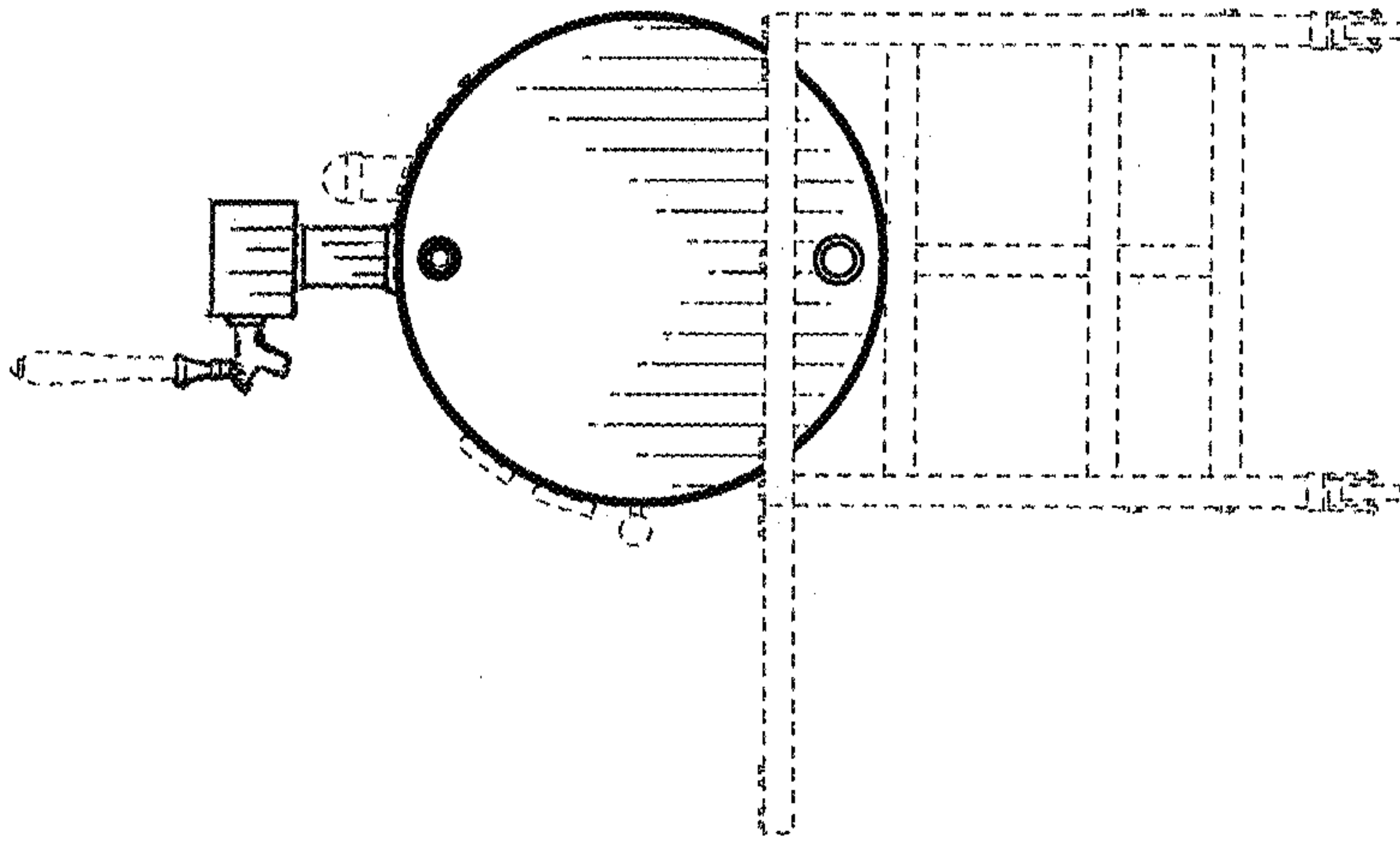


FIG. 5

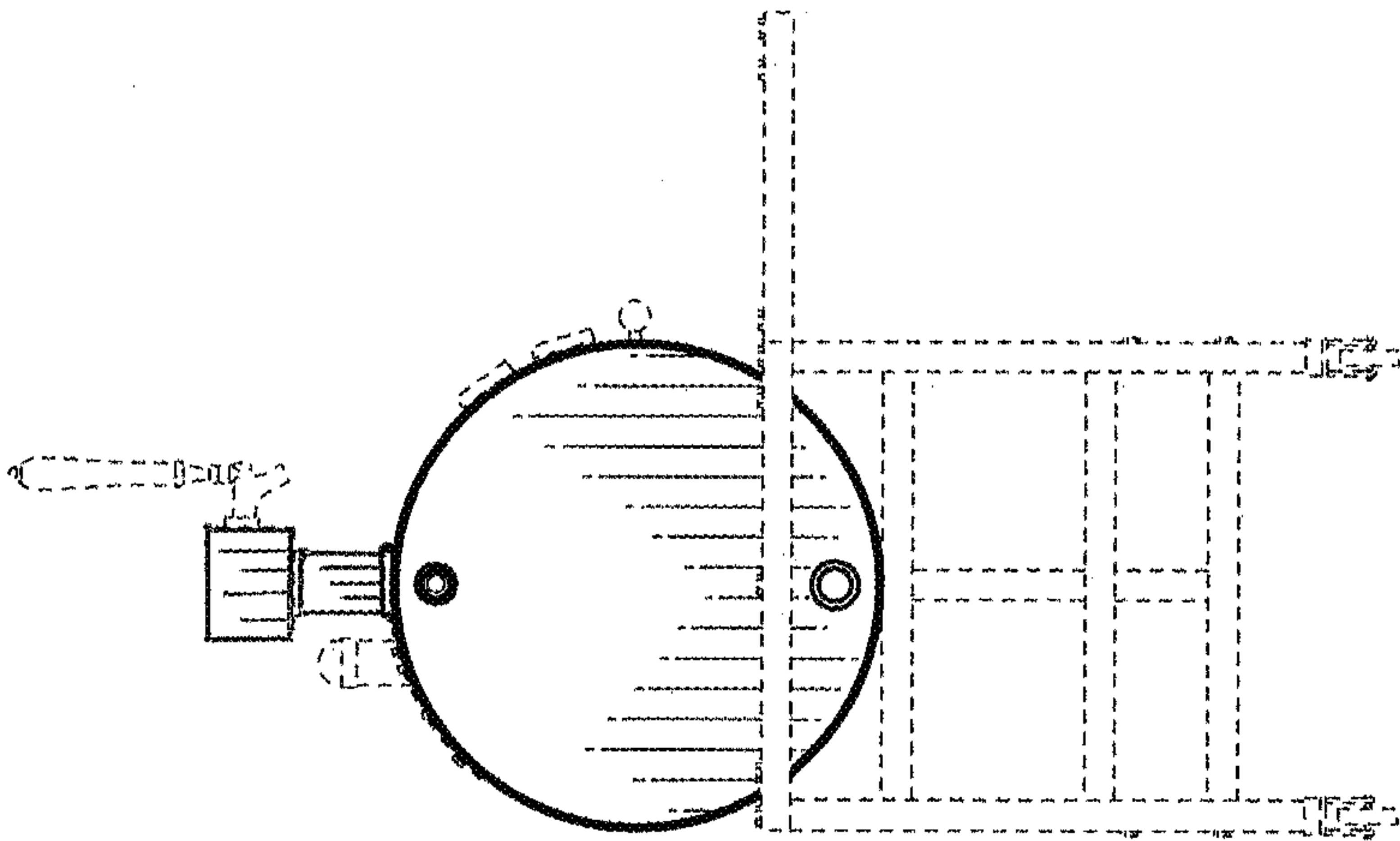


FIG. 4

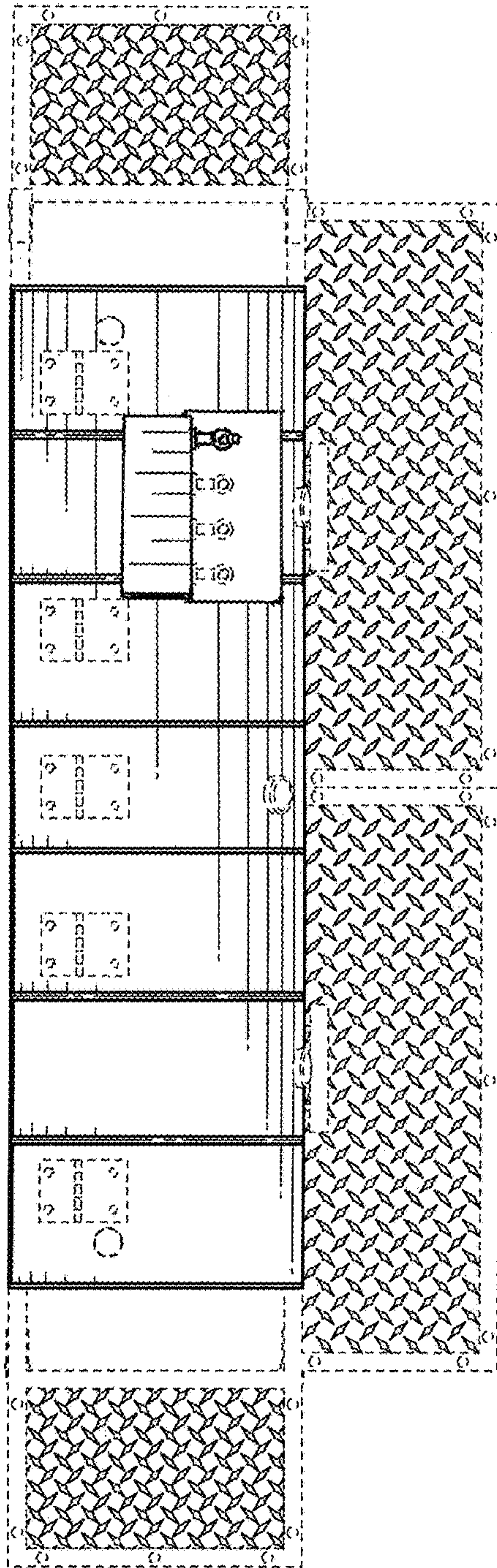


FIG. 6

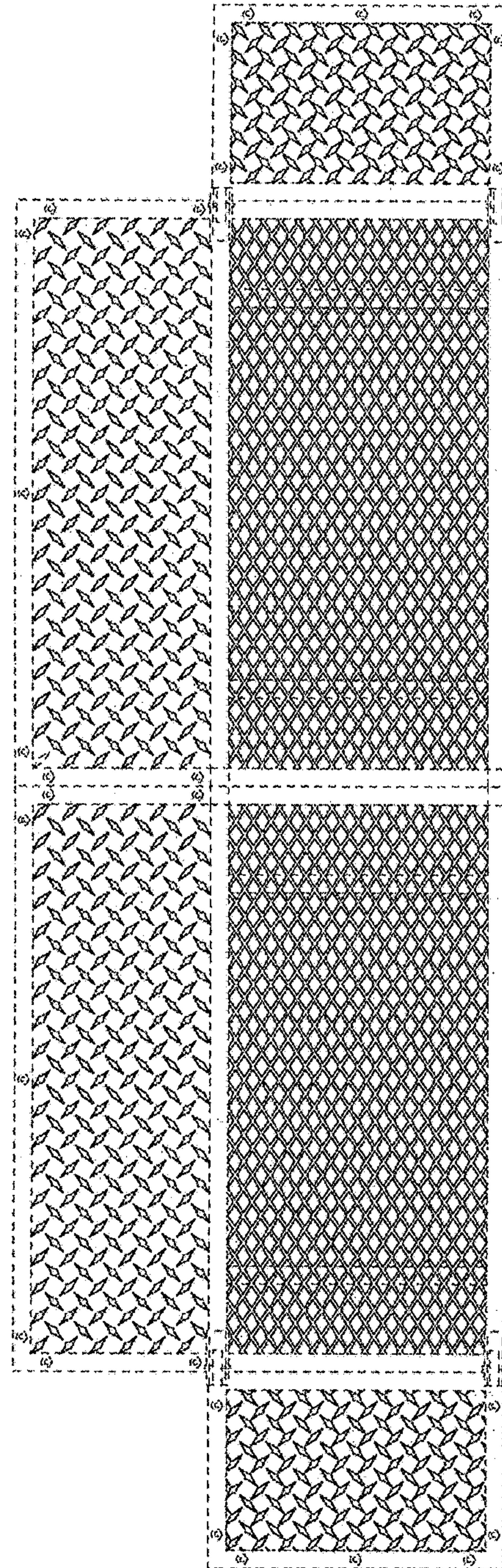


FIG. 7