



US00D807103S

(12) **United States Design Patent**  
**Lorenz et al.**

(10) **Patent No.:** **US D807,103 S**  
(45) **Date of Patent:** **\*\* Jan. 9, 2018**

- (54) **BIOMASS STOVE**
- (71) Applicants: **Nathan Lorenz**, Laporte, CO (US);  
**Jesse Walker**, Fort Collins, CO (US);  
**Andy Kumar**, Fort Collins, CO (US);  
**Erik Holmes**, Sarasota, FL (US)
- (72) Inventors: **Nathan Lorenz**, Laporte, CO (US);  
**Jesse Walker**, Fort Collins, CO (US);  
**Andy Kumar**, Fort Collins, CO (US);  
**Erik Holmes**, Sarasota, FL (US)
- (73) Assignee: **ENVIROFIT INTERNATIONAL, INC.**, Fort Collins, CO (US)
- (\*\*) Term: **15 Years**
- (21) Appl. No.: **29/544,897**
- (22) Filed: **Nov. 6, 2015**
- (51) **LOC (11) Cl.** ..... **07-02**
- (52) **U.S. Cl.**  
USPC ..... **D7/332**
- (58) **Field of Classification Search**  
USPC ..... D7/323-337, 402-407, 362, 416, 417,  
D7/357, 408; 126/25 R, 9 R; D23/343,  
D23/415, 350, 348, 403, 409, 416, 418,  
D23/419; D22/112; D26/8  
CPC ..... A47J 33/00; A47J 37/04; A47J 37/041;  
A47J 37/07-37/0713; A47J  
37/718-37/0727; A47J 37/0731; A47J  
37/074; A47J 37/0781; A47J 2037/0777;  
A47J 37/0786; A47J 37/079; A47J 36/26;  
A47J 36/36; F24B 1/02; F24B 1/022;  
F24B 1/18; F24B 1/182; F24B 1/181;  
F24B 1/202; F24C 3/14; F24C 1/16;  
F24C 15/10; F23D 14/00-14/10; F23D  
91/00; B05B 17/08  
See application file for complete search history.

- 1,226,567 A \* 5/1917 Morgan ..... F24C 15/10  
126/214 D
  - 1,582,121 A \* 4/1926 Chumley ..... F24B 1/02  
126/65
  - D115,336 S \* 6/1939 Jaros ..... D7/407
  - D184,450 S \* 2/1959 Morton ..... D7/337
  - D214,297 S \* 5/1969 Ihde ..... D23/350
  - D229,277 S \* 11/1973 Chan ..... D7/337
- (Continued)

*Primary Examiner* — Susan Bennett Hattan  
*Assistant Examiner* — Brett Miller  
 (74) *Attorney, Agent, or Firm* — Dorsey & Whitney LLP

(57) **CLAIM**

The ornamental design for a biomass stove, as shown and described.

**DESCRIPTION**

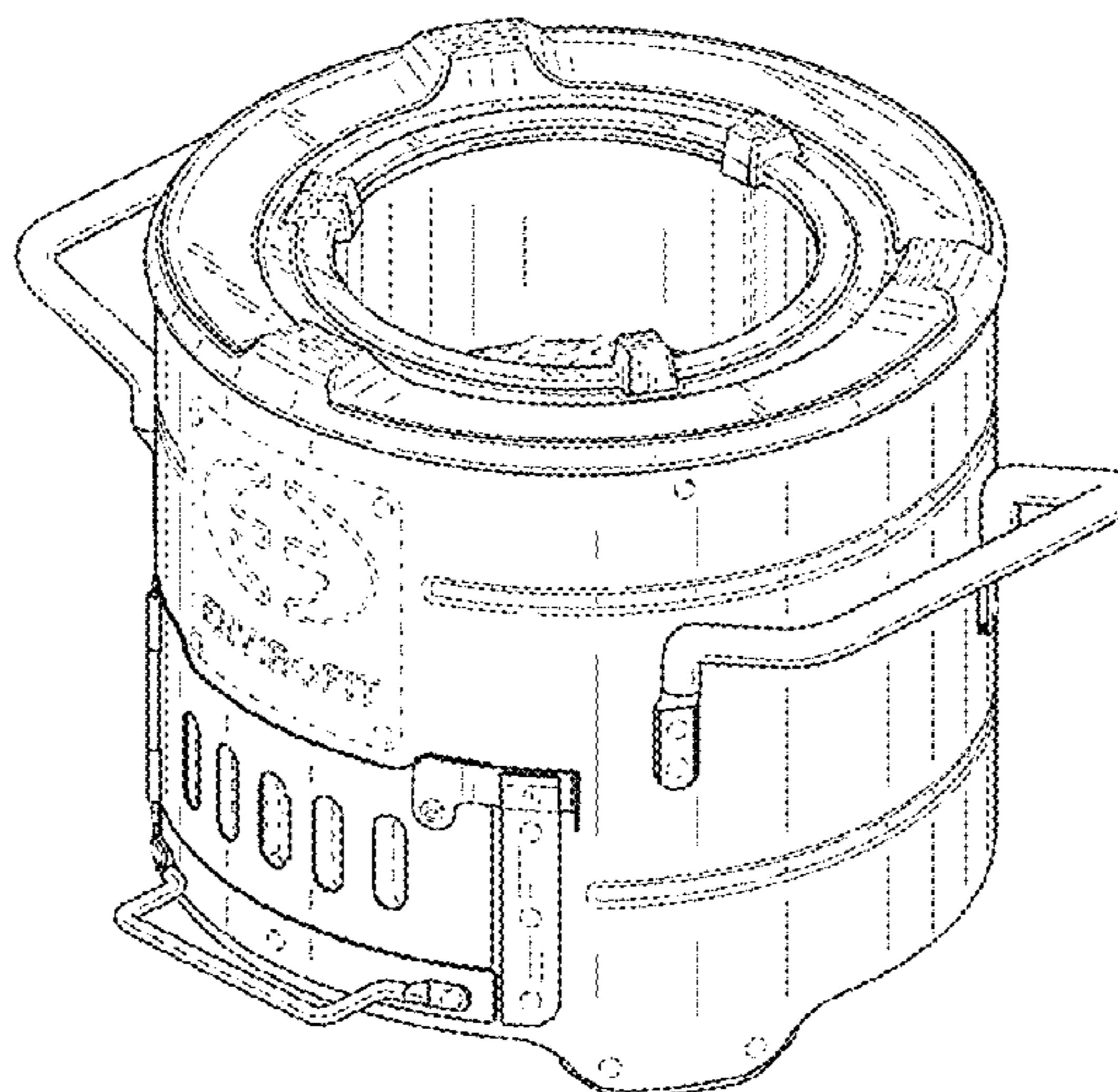
FIG. 1 is a front isometric view of a biomass stove.  
 FIG. 2 is a front elevation view of the biomass stove of FIG. 1.  
 FIG. 3 is a rear elevation view of the biomass stove of FIG. 1.  
 FIG. 4 is a left side elevation view of the biomass stove of FIG. 1.  
 FIG. 5 is a right side elevation view of the biomass stove of FIG. 1.  
 FIG. 6 is a top plan view of the biomass stove of FIG. 1; and,  
 FIG. 7 is a bottom plan view of the biomass stove of FIG. 1.  
 The broken lines, which depict unclaimed portions of the article, form no part of the claimed design. The broken lines that border claimed portions of the article are boundaries of the claim.

(56) **References Cited**

**U.S. PATENT DOCUMENTS**

- 747,010 A \* 12/1903 Smith ..... F24C 3/14  
126/260
- 974,290 A \* 11/1910 Merritt ..... F24B 1/02  
126/217

**1 Claim, 7 Drawing Sheets**



(56)

**References Cited**

U.S. PATENT DOCUMENTS

4,971,027 A \* 11/1990 Krieger ..... F24C 1/16  
 126/390.1  
 5,797,386 A \* 8/1998 Orr ..... A47J 37/0704  
 126/25 A  
 6,138,661 A \* 10/2000 Cooper ..... A47J 37/0763  
 126/19 M  
 D585,234 S \* 1/2009 Winebrenner ..... D7/335  
 D612,662 S \* 3/2010 Lorenz ..... D7/337  
 8,230,848 B2 \* 7/2012 Fou ..... A47J 37/07  
 126/25 R  
 D701,721 S \* 4/2014 Jan ..... D7/332  
 D718,082 S \* 11/2014 Chung ..... D7/335  
 8,893,703 B2 \* 11/2014 DeFoort ..... F24B 1/022  
 126/25 R  
 D727,086 S \* 4/2015 Barford ..... D7/332  
 D762,409 S \* 8/2016 Fisher ..... D7/337  
 9,464,811 B2 \* 10/2016 Coffman ..... A47J 37/0718  
 2006/0225724 A1 \* 10/2006 Turner ..... F24C 1/16  
 126/9 R  
 2010/0258104 A1 \* 10/2010 DeFoort ..... F24C 1/16  
 126/15 R  
 2016/0153665 A1 \* 6/2016 Adeleye ..... F24C 3/14  
 431/344  
 2016/0245529 A1 \* 8/2016 McClean ..... F24B 1/022

\* cited by examiner

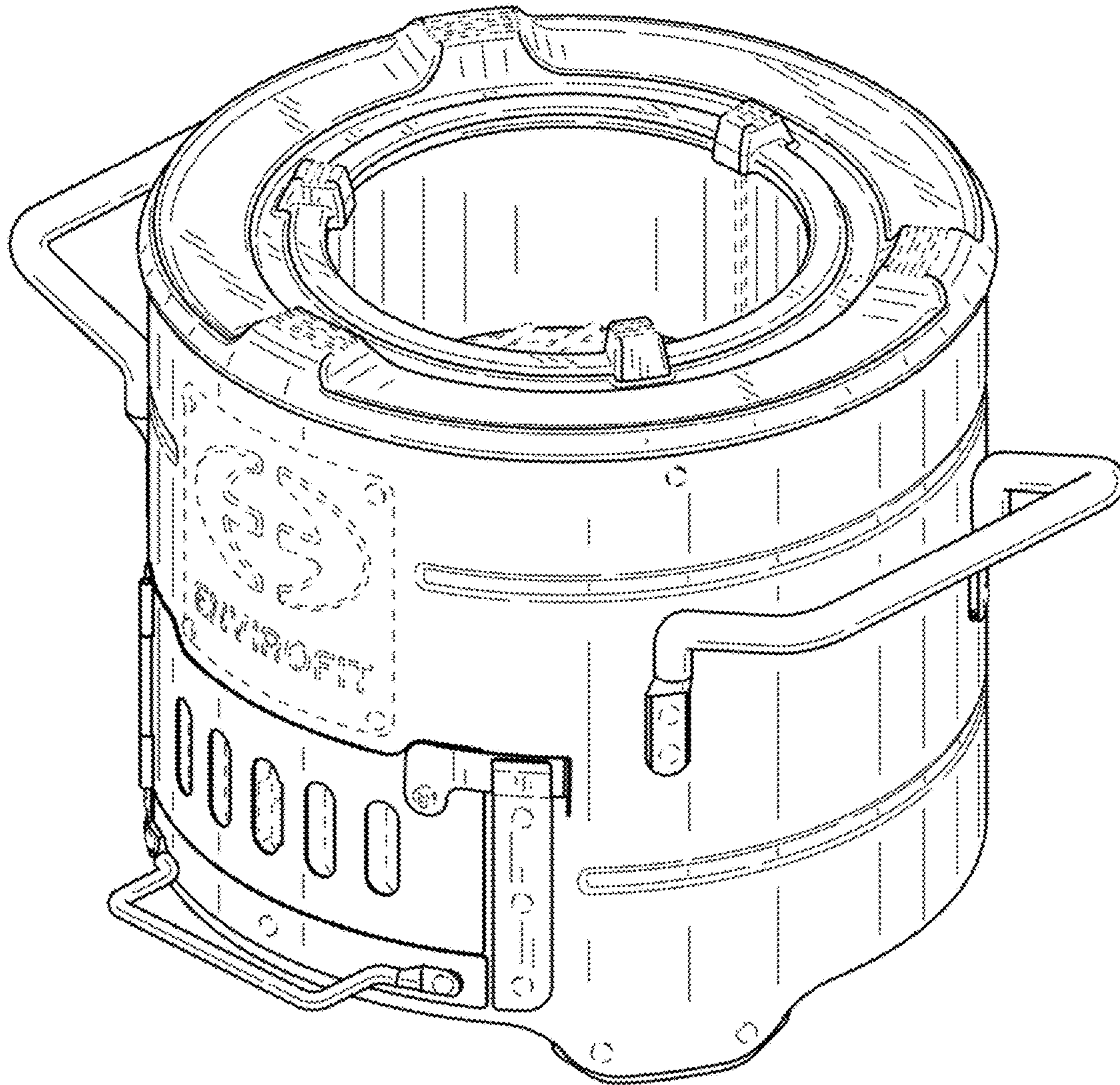


FIG. 1

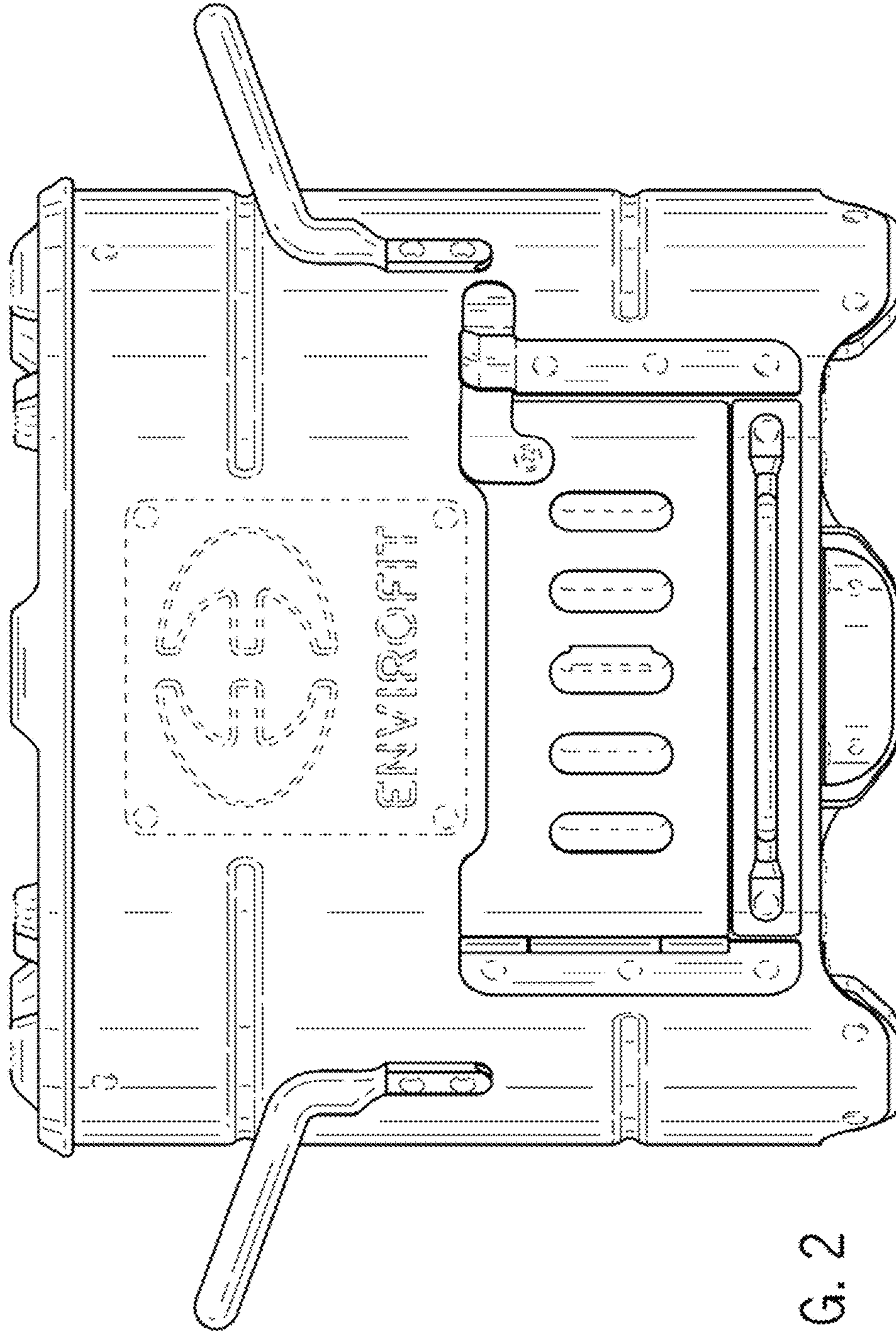


FIG. 2

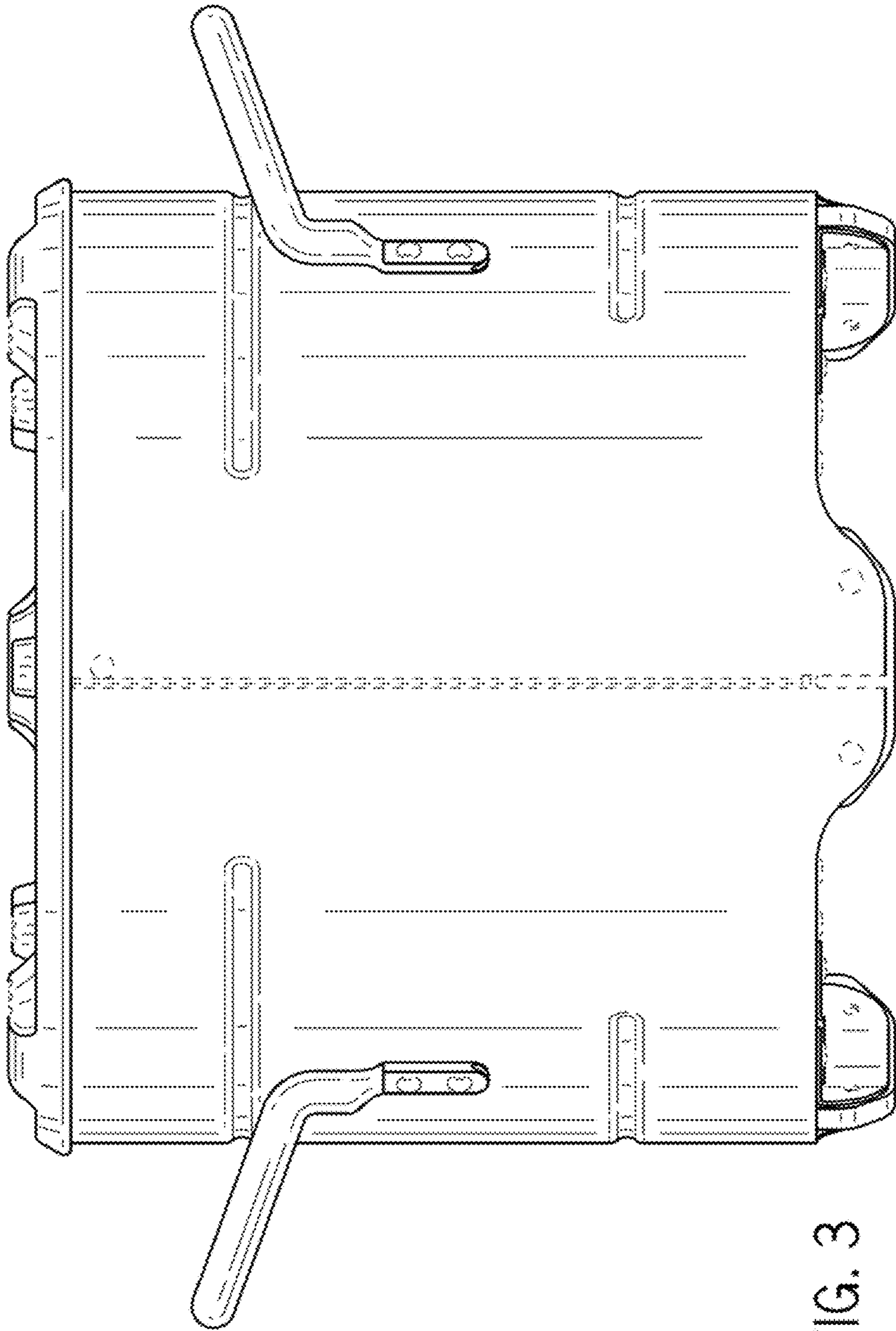


FIG. 3

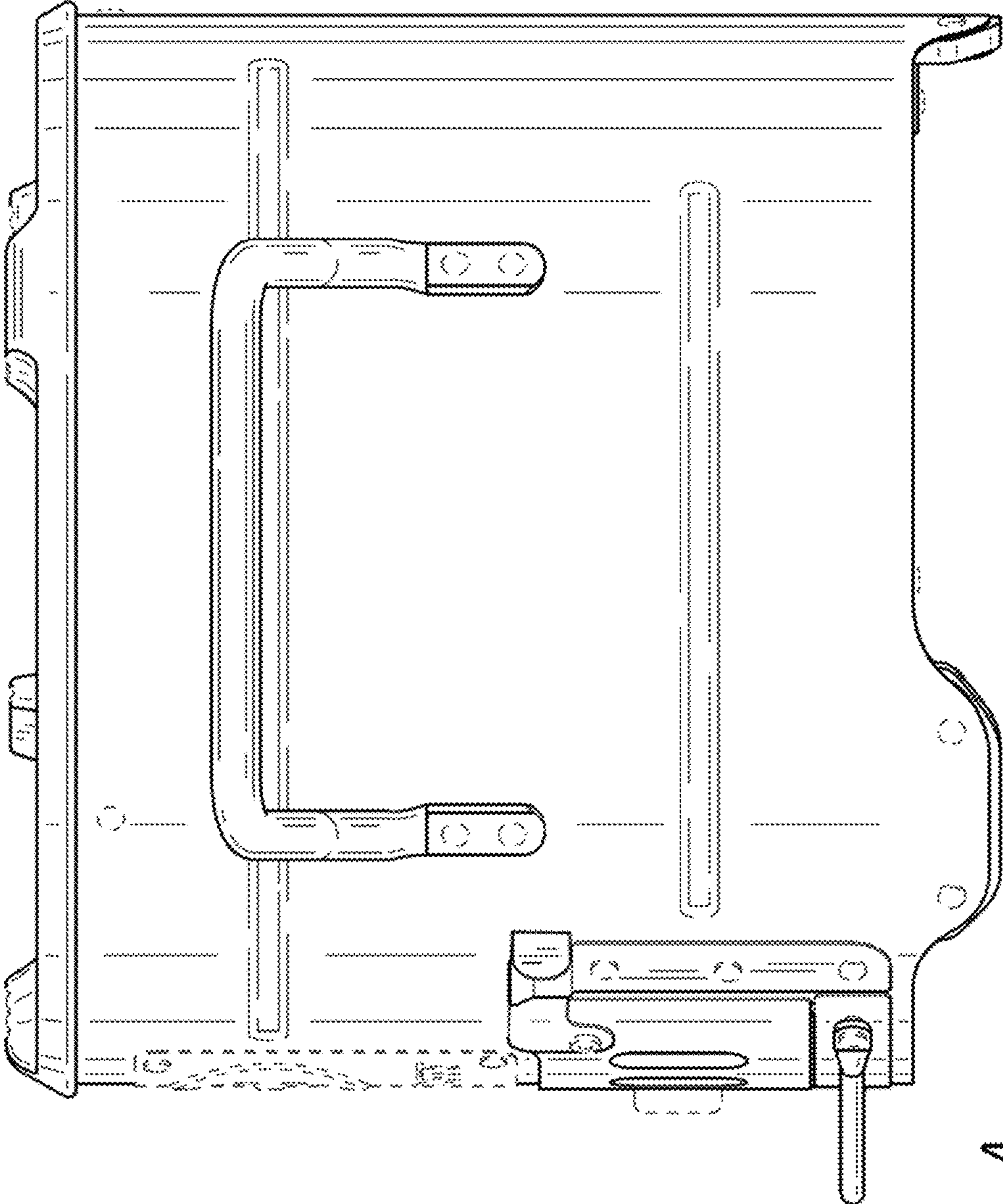


FIG. 4

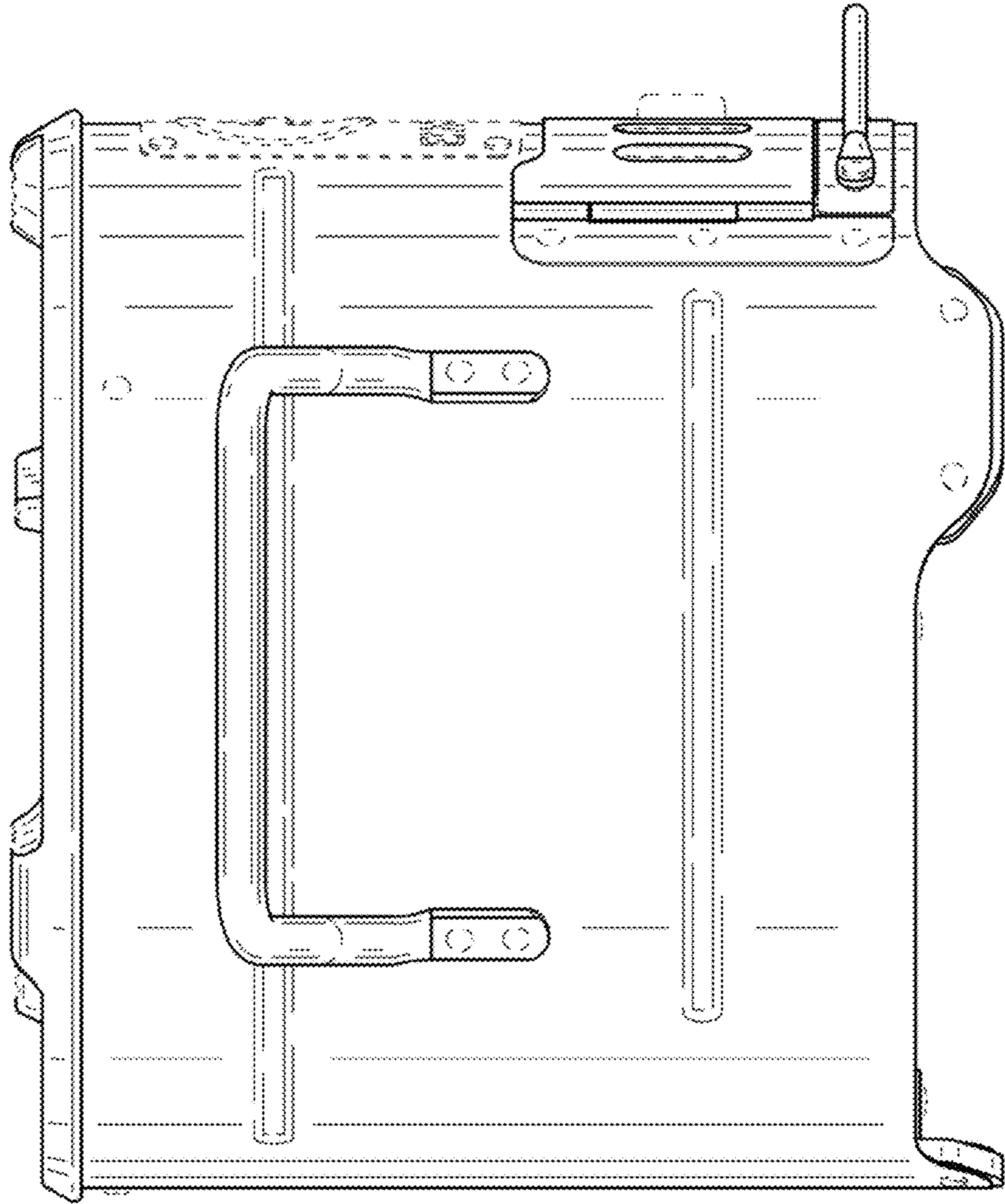


FIG. 5

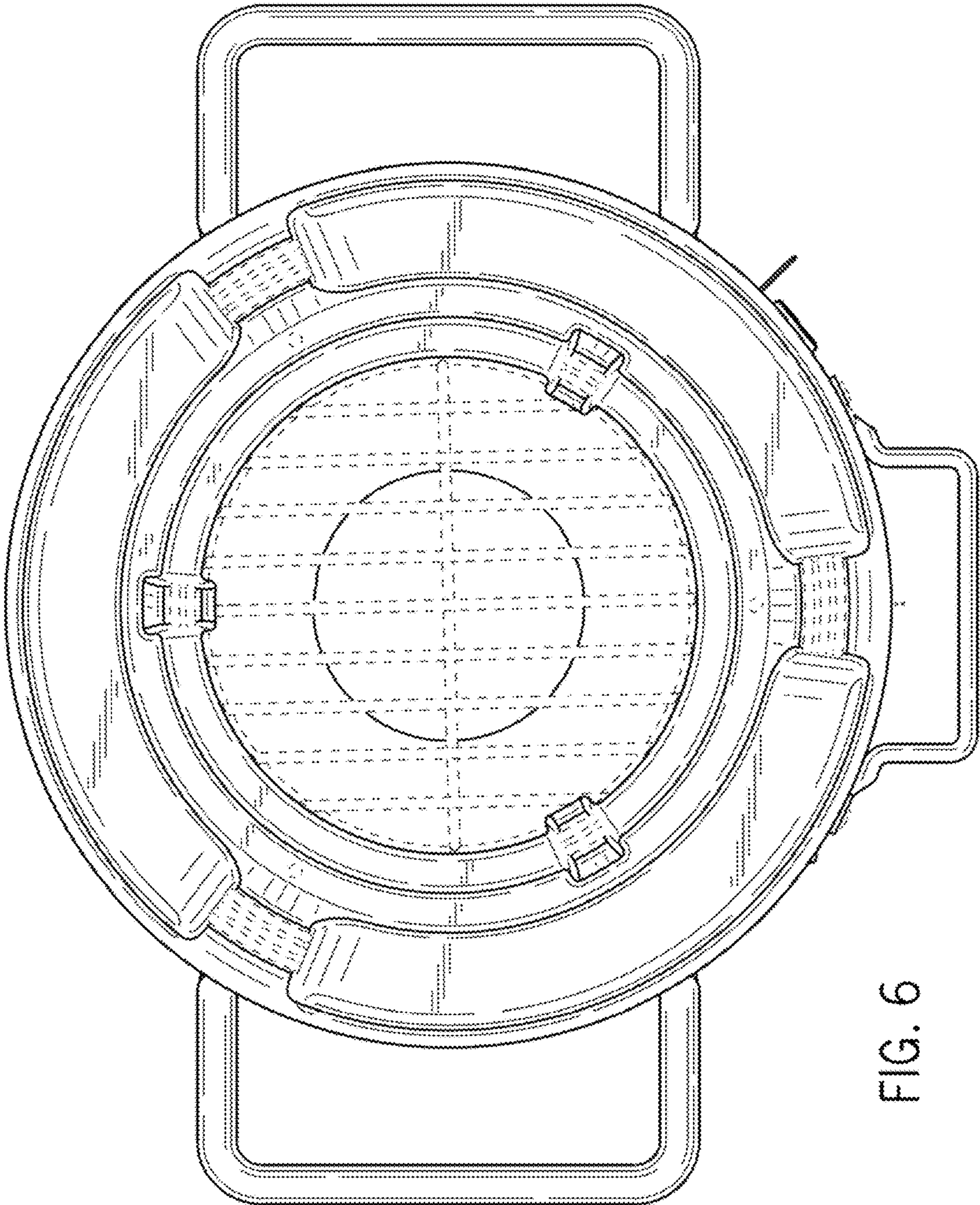


FIG. 6



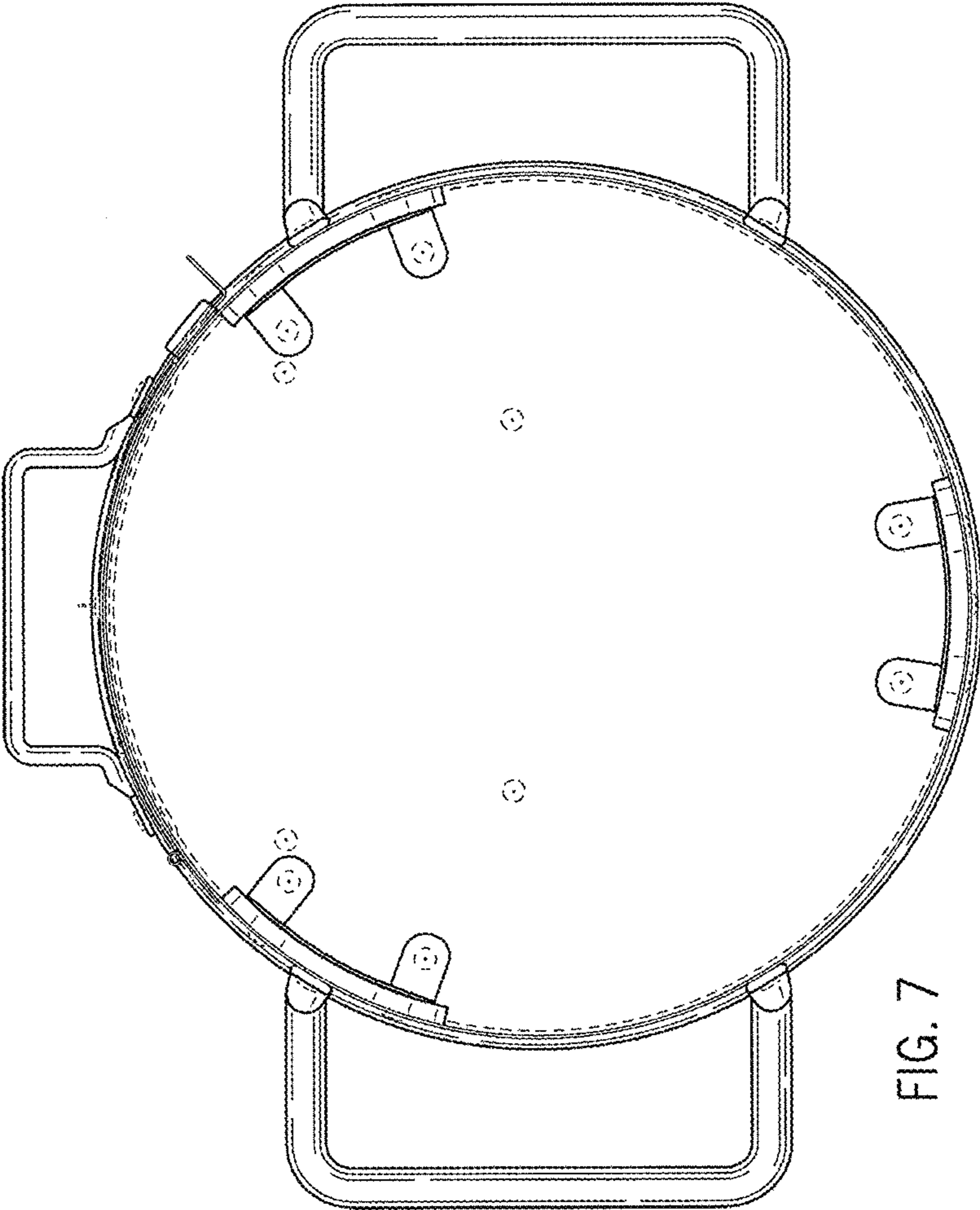


FIG. 7