



US00D807102S

(12) **United States Design Patent** (10) **Patent No.:** **US D807,102 S**
Bodum (45) **Date of Patent:** **** Jan. 9, 2018**

(54) **ELECTRIC WATER KETTLE**
 (71) Applicant: **PI-Design AG**, Triengen (CH)
 (72) Inventor: **Jorgen Bodum**, Meggen (CH)
 (73) Assignee: **PI-Design AG**, Triengen (CH)
 (**) Term: **15 Years**
 (21) Appl. No.: **29/592,297**
 (22) Filed: **Jan. 29, 2017**

D794,993 S * 8/2017 Hand D7/317
 D797,488 S * 9/2017 Silsby D7/317
 2014/0151359 A1 6/2014 Slot et al.

(30) **Foreign Application Priority Data**

Aug. 4, 2016 (WO) DM/092065

(51) **LOC (11) Cl.** **07-01**
 (52) **U.S. Cl.**
 USPC **D7/318**

(58) **Field of Classification Search**
 USPC D7/316–321, 378, 384, 598, 600, 619.1,
 D7/622; D9/544, 545, 548, 549
 CPC A47J 31/00; A47J 27/21008; A47G 19/22
 See application file for complete search history.

(56) **References Cited**

U.S. PATENT DOCUMENTS

6,394,322 B1 * 5/2002 Sekiya A47G 19/12
 222/465.1
 D570,648 S * 6/2008 Bodum D7/509
 D628,426 S 12/2010 Hoare et al.
 D680,792 S * 4/2013 Bodum D7/317
 D738,669 S 9/2015 Brook
 D745,302 S 12/2015 Anglada et al.
 D748,427 S 2/2016 Roux et al.
 D777,500 S 1/2017 Lee et al.
 D789,135 S * 6/2017 Green D7/317

OTHER PUBLICATIONS

Select portions of Bodum Collection Catalogue, Jan. 2015, 7 pages.

* cited by examiner

Primary Examiner — Daniel D Bui
Assistant Examiner — Andrew Kerr
 (74) *Attorney, Agent, or Firm* — McDonnell Boehnen
 Hulbert & Berghoff LLP

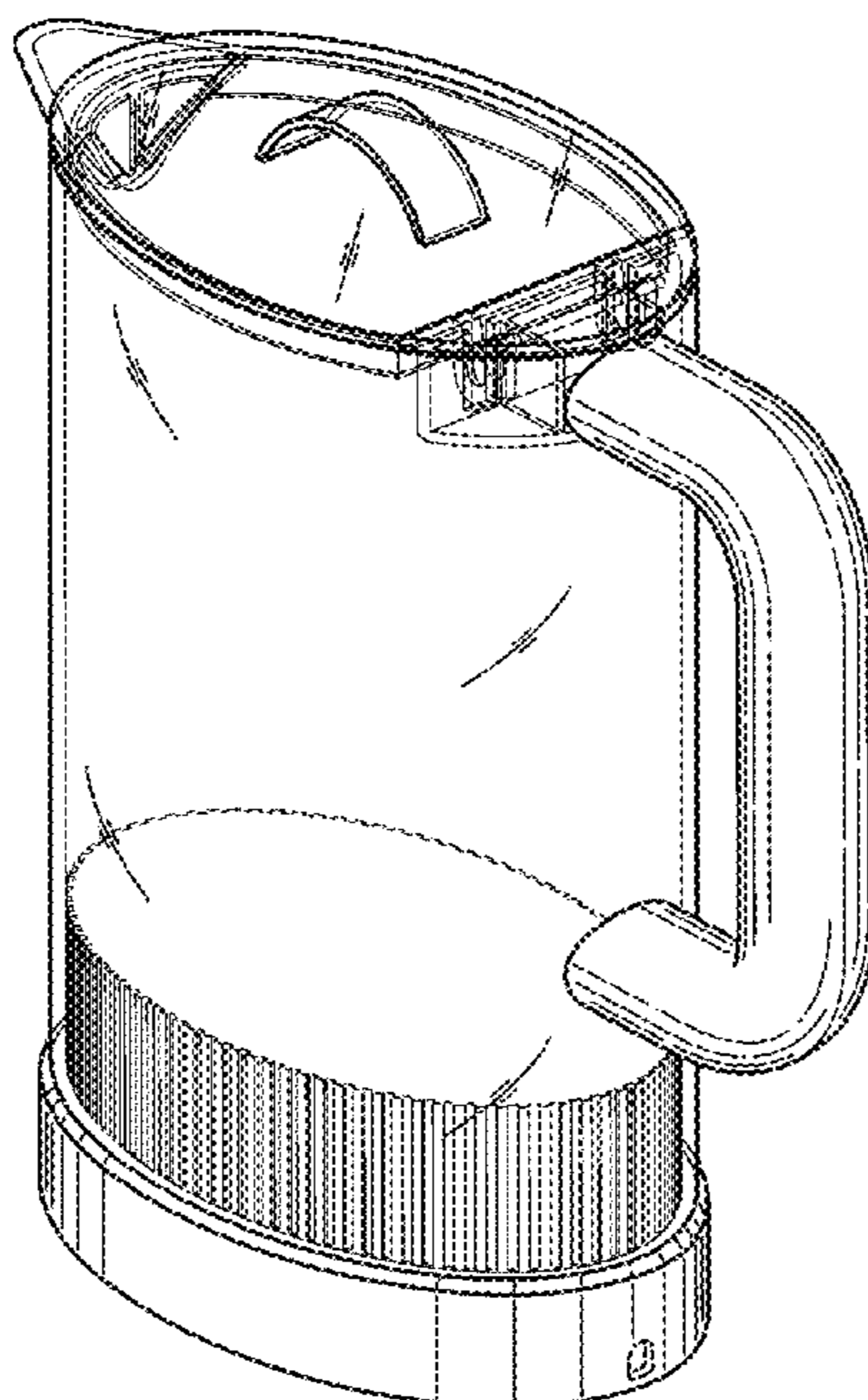
(57) **CLAIM**

The ornamental design for an electric water kettle, as shown and described.

DESCRIPTION

FIG. 1 is a perspective view of an electric water kettle, showing my new design;
 FIG. 2 is a front view thereof;
 FIG. 3 is a rear view thereof;
 FIG. 4 is a left side view thereof;
 FIG. 5 is a right side view thereof;
 FIG. 6 is a top view thereof; and,
 FIG. 7 is a bottom view thereof.
 The broken lines in the drawing views represent unclaimed portions of an electric water kettle, which are included for the purpose of illustrating unclaimed environment only, and forms no part of the claimed design.

1 Claim, 7 Drawing Sheets



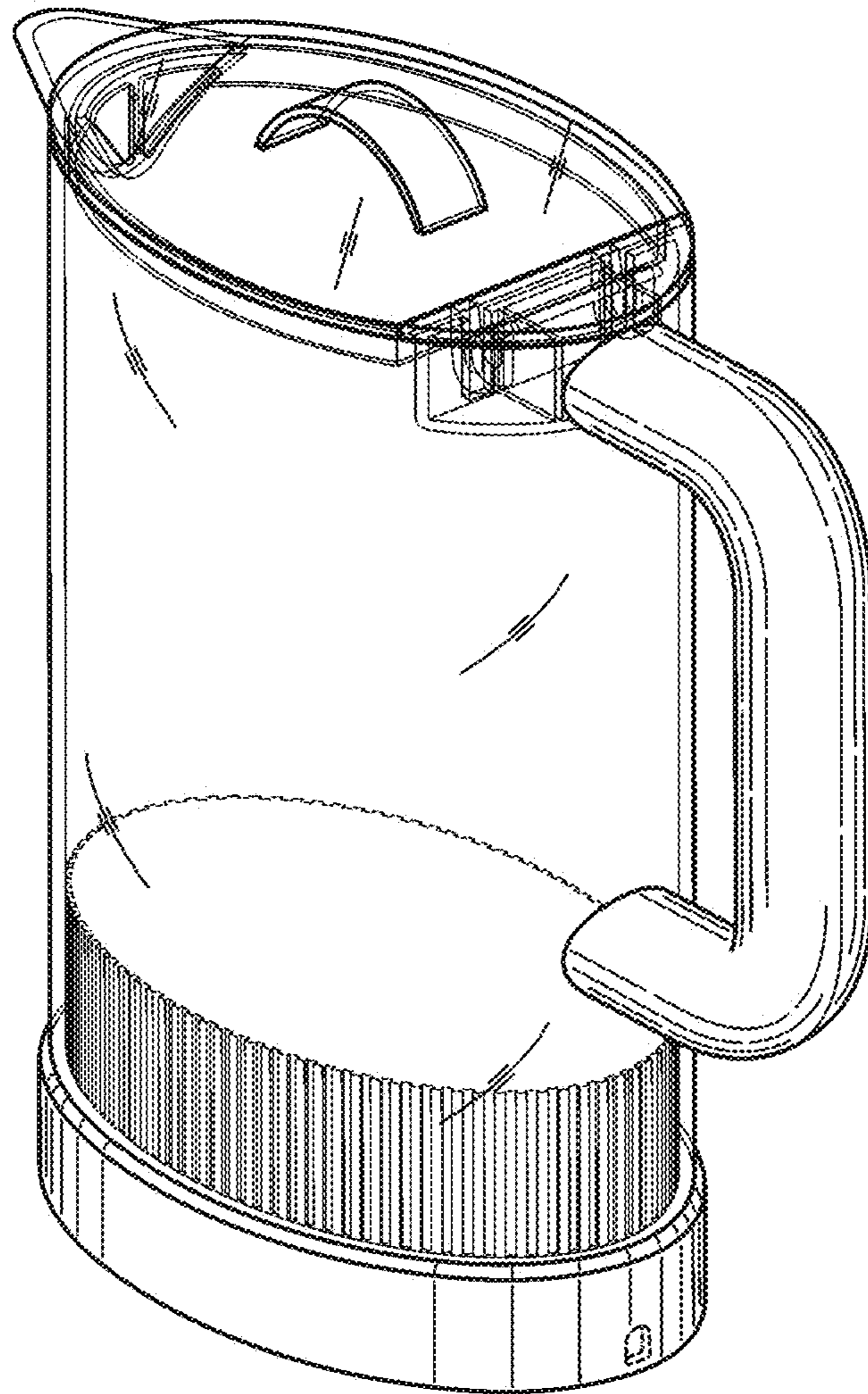


FIG. 1

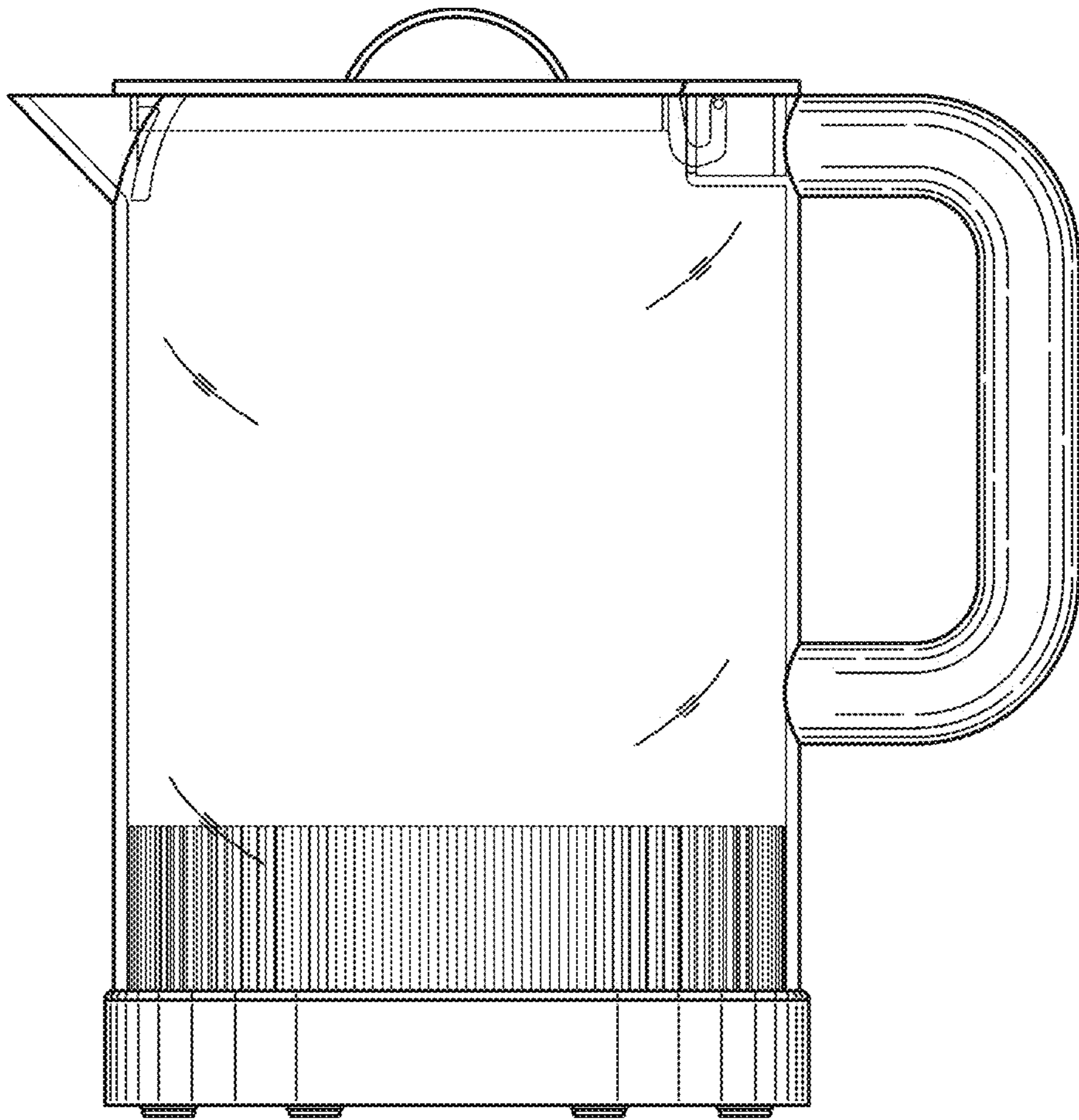


FIG. 2

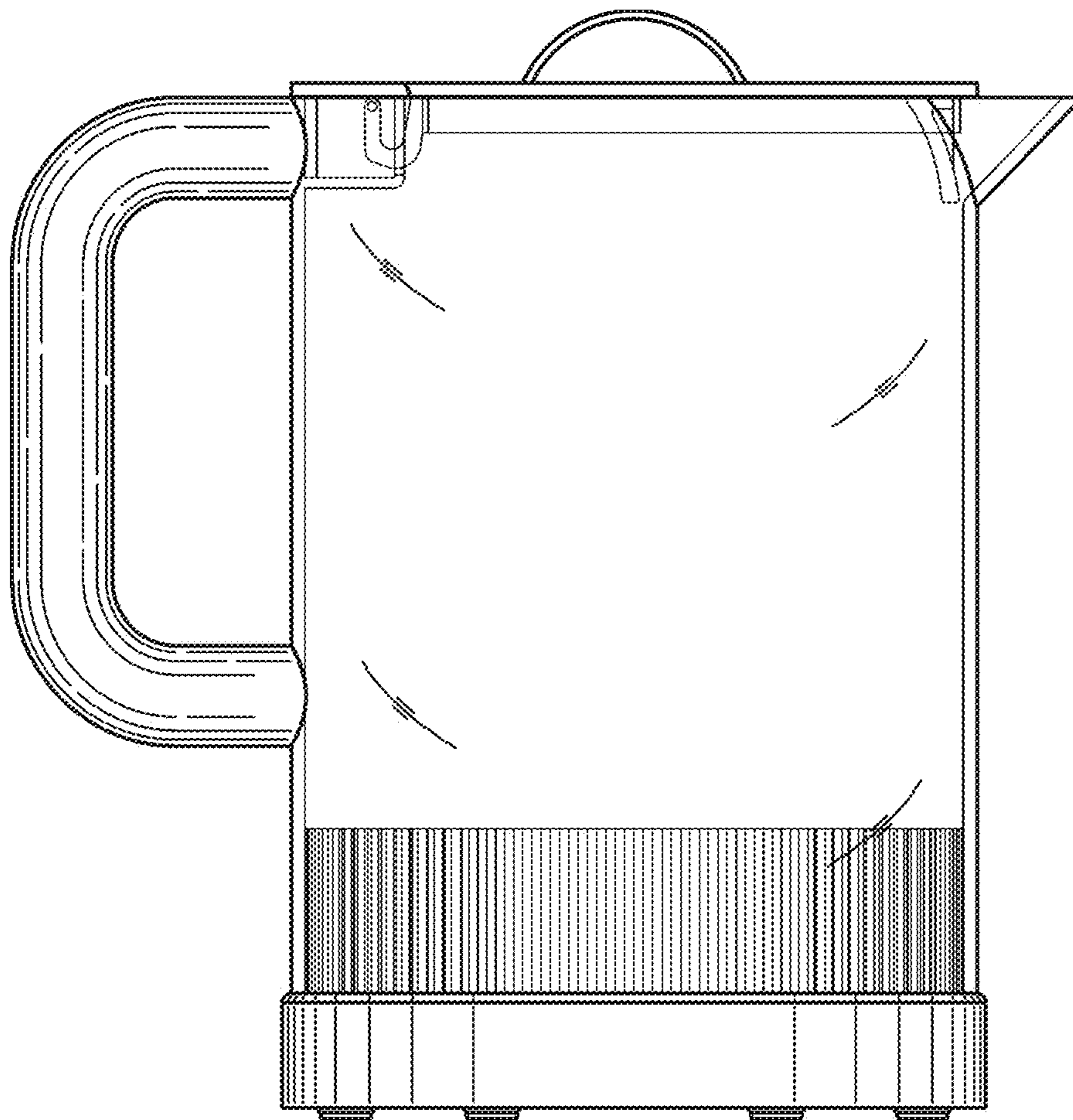


FIG. 3

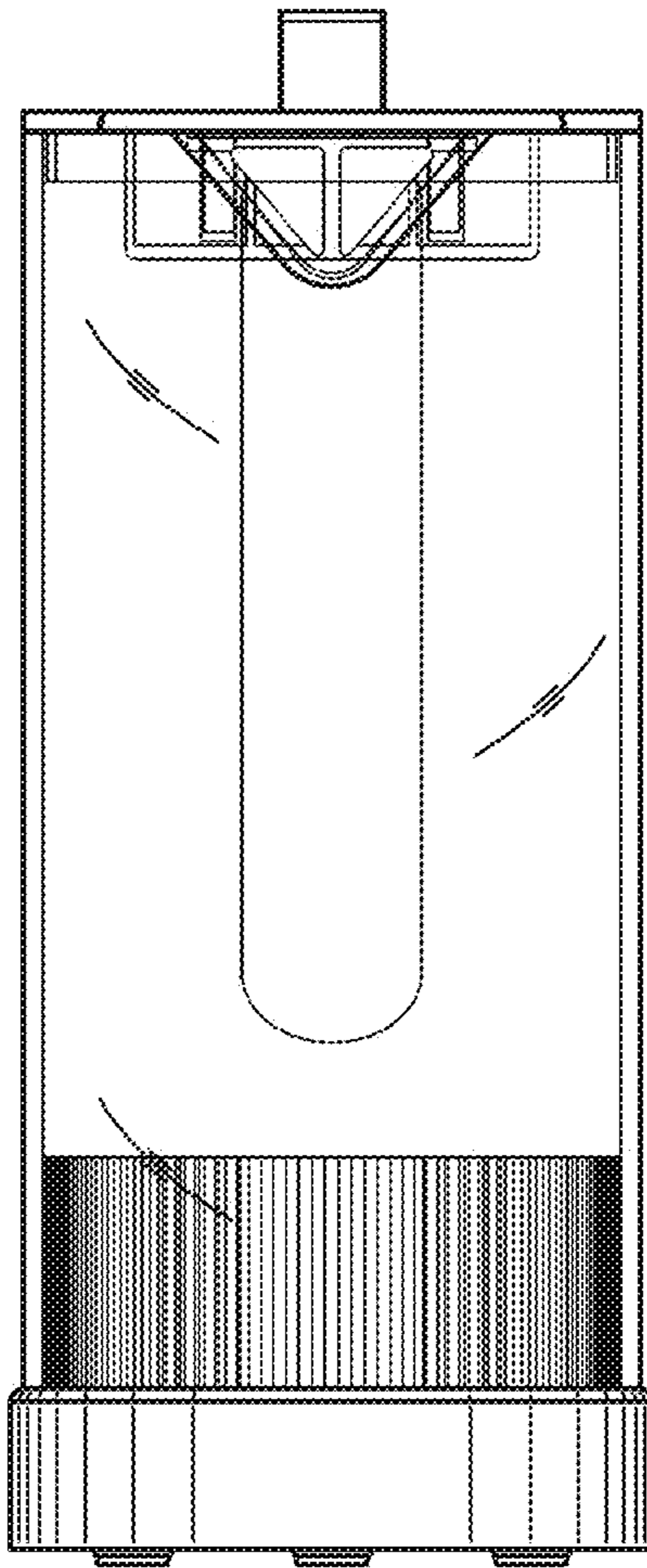


FIG. 4

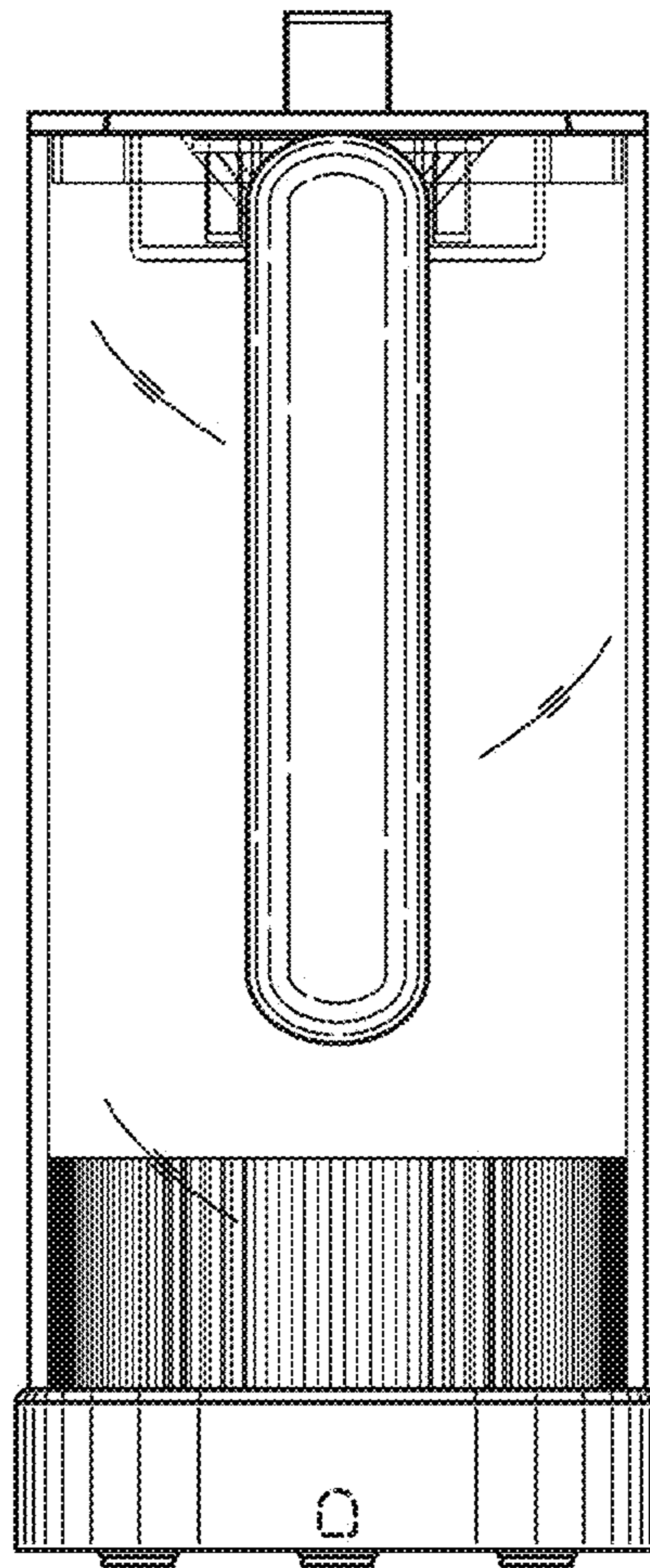


FIG. 5

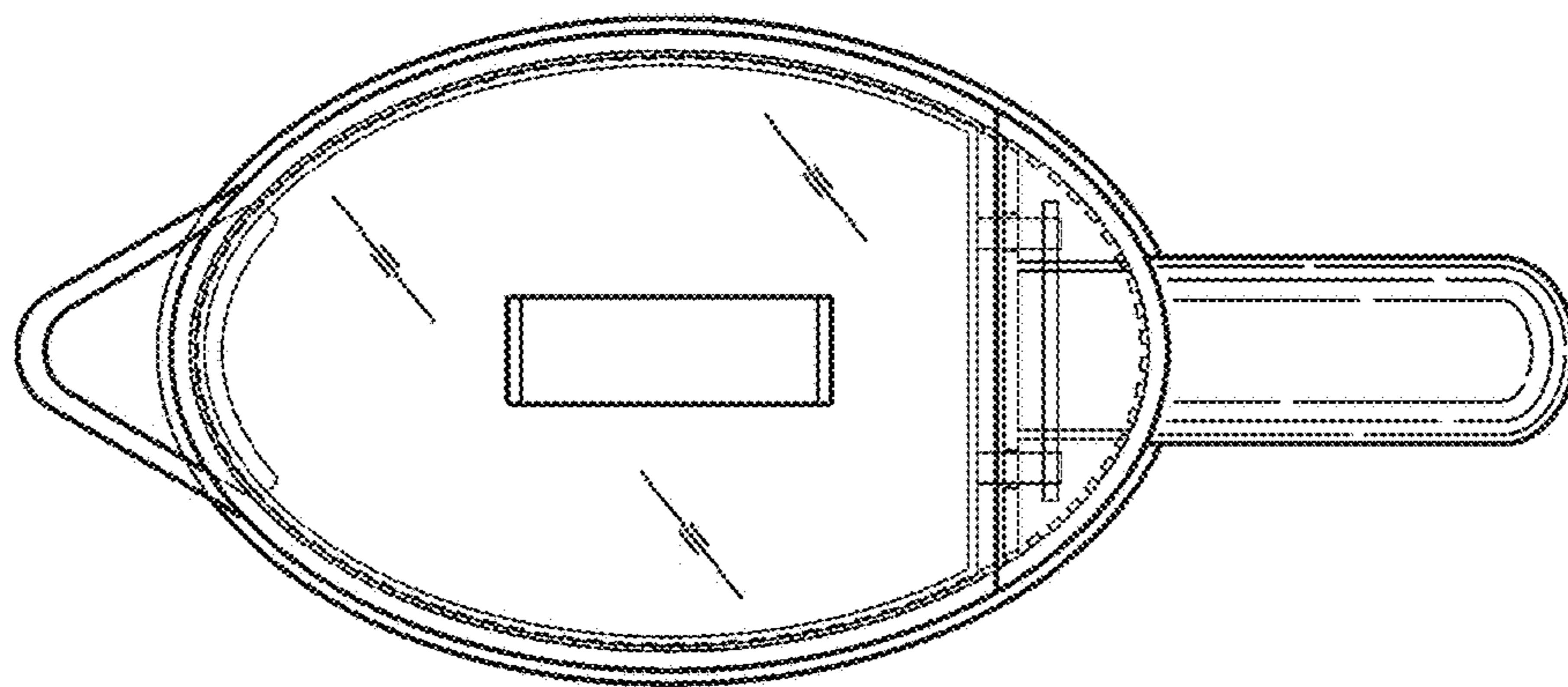


FIG. 6

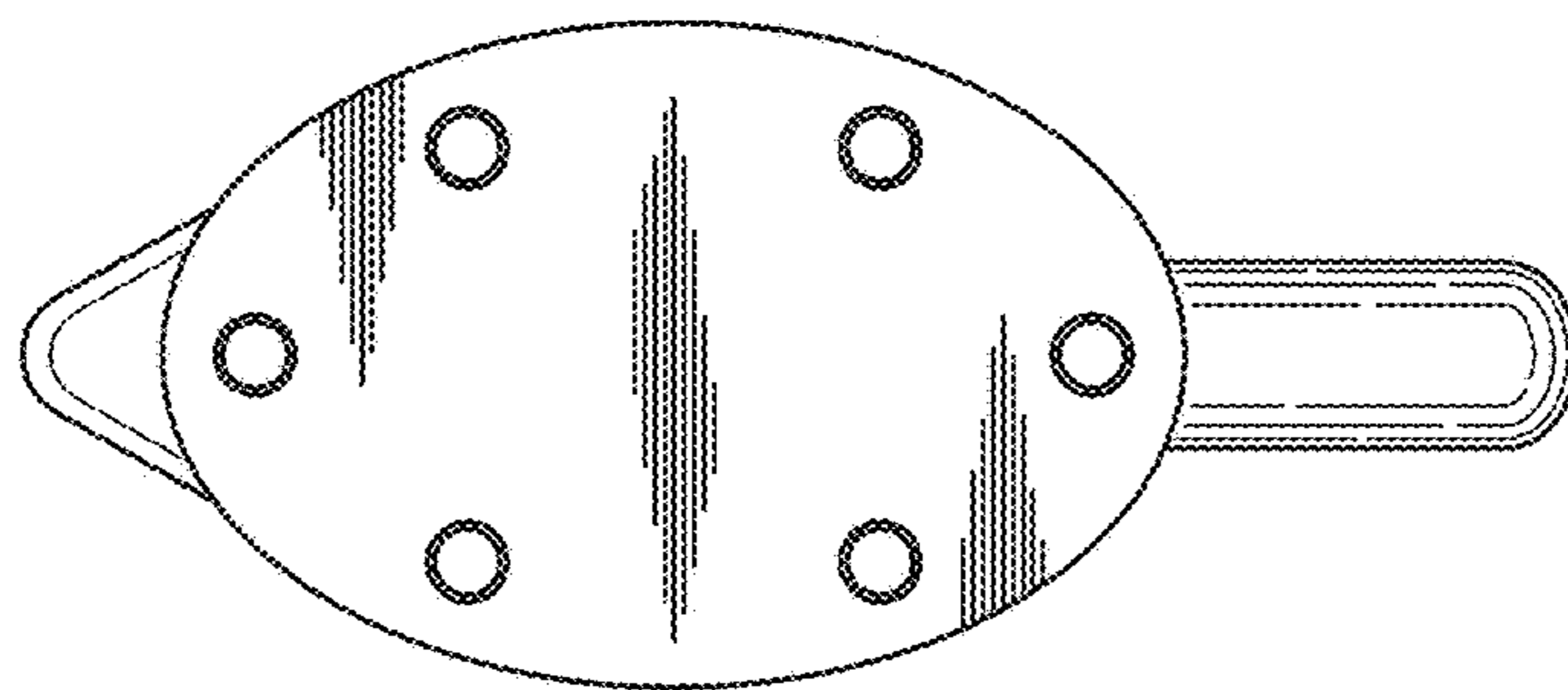


FIG. 7