



US00D807099S

(12) **United States Design Patent**
De' Longhi et al.

(10) **Patent No.:** **US D807,099 S**
(45) **Date of Patent:** **** Jan. 9, 2018**

- (54) **ESPRESSO COFFEE MACHINE**
- (71) Applicant: **DE' LONGHI APPLIANCES SRL**
CON UNICO SOCIO, Treviso (IT)
- (72) Inventors: **Giuseppe De' Longhi**, Treviso (IT);
Francesco Fiorotto, Roncade (IT)
- (73) Assignee: **DE'LONGHI APPLIANCES SRL**
CON UNICO SOCIO (IT)
- (**) Term: **15 Years**
- (21) Appl. No.: **29/573,714**
- (22) Filed: **Aug. 9, 2016**

| | | | |
|--------------|---------|--------------------|--------|
| D360,331 S * | 7/1995 | McNeill | D7/305 |
| D413,757 S * | 9/1999 | Viguer Munoz | D7/309 |
| D449,198 S * | 10/2001 | Cahen | D7/309 |
| D463,193 S * | 9/2002 | Sandor | D7/307 |
| D556,495 S * | 12/2007 | Davenport | D7/309 |
| D562,617 S * | 2/2008 | Liebe | D7/309 |
| D592,441 S * | 5/2009 | Terada | D7/307 |
| D593,356 S * | 6/2009 | Grassia | D7/309 |
| D630,880 S * | 1/2011 | Zimmermann | D7/309 |
| D646,106 S * | 10/2011 | Gebhardt | D7/309 |
| D675,677 S * | 2/2013 | Barili | D20/4 |
| D675,859 S * | 2/2013 | De Pra | D7/309 |
| D678,718 S * | 3/2013 | Grassia | D7/309 |
| D695,559 S * | 12/2013 | De Pra | D7/309 |
| D719,392 S * | 12/2014 | De Pra | D7/309 |
| D757,479 S * | 5/2016 | Steiner | D7/309 |
| D758,778 S * | 6/2016 | Bonetto | D7/306 |
| D780,500 S * | 3/2017 | Bambi | D7/309 |
| D786,603 S * | 5/2017 | Palermo | D7/306 |
| D793,146 S * | 8/2017 | Palermo | D7/306 |

Related U.S. Application Data

(62) Division of application No. 29/569,634, filed on Jun. 29, 2016.

Foreign Application Priority Data

Jun. 23, 2016 (EM) 3236058

(51) **LOC (11) Cl.** **07-01**

(52) **U.S. Cl.**
USPC **D7/309; D7/311**

(58) **Field of Classification Search**

USPC D7/305-311, 313; D15/82; 222/129.1,
222/146.6; 99/295

CPC A47J 31/44; A47J 31/4403; A47J 31/46;
A47J 31/4482; A47J 31/369; A47J
31/407; A47J 31/10; A47J 31/467; A47J
31/0615; B67D 1/36; B67D 2210/0065;
B67D 1/0864; B67D 3/0061

See application file for complete search history.

(56) **References Cited**

U.S. PATENT DOCUMENTS

| | | | |
|--------------|--------|-----------------|--------|
| D332,199 S * | 1/1993 | Pomeroy | D7/308 |
| D343,332 S * | 1/1994 | Schroeder | D7/300 |

* cited by examiner

Primary Examiner — Marianne N Pandozzi

(74) *Attorney, Agent, or Firm* — Calfee Halter & Griswold LLP

(57) **CLAIM**

The ornamental design for a espresso coffee machine, as shown and described.

DESCRIPTION

FIG. 1 is a perspective view of an espresso coffee machine showing our new design;
FIG. 2 is a front view thereof;
FIG. 3 is a rear view thereof;
FIG. 4 is a left side view thereof;
FIG. 5 is a right side view thereof;
FIG. 6 is a bottom plan view thereof; and,
FIG. 7 is a top plan view thereof.

1 Claim, 7 Drawing Sheets





FIG. 1

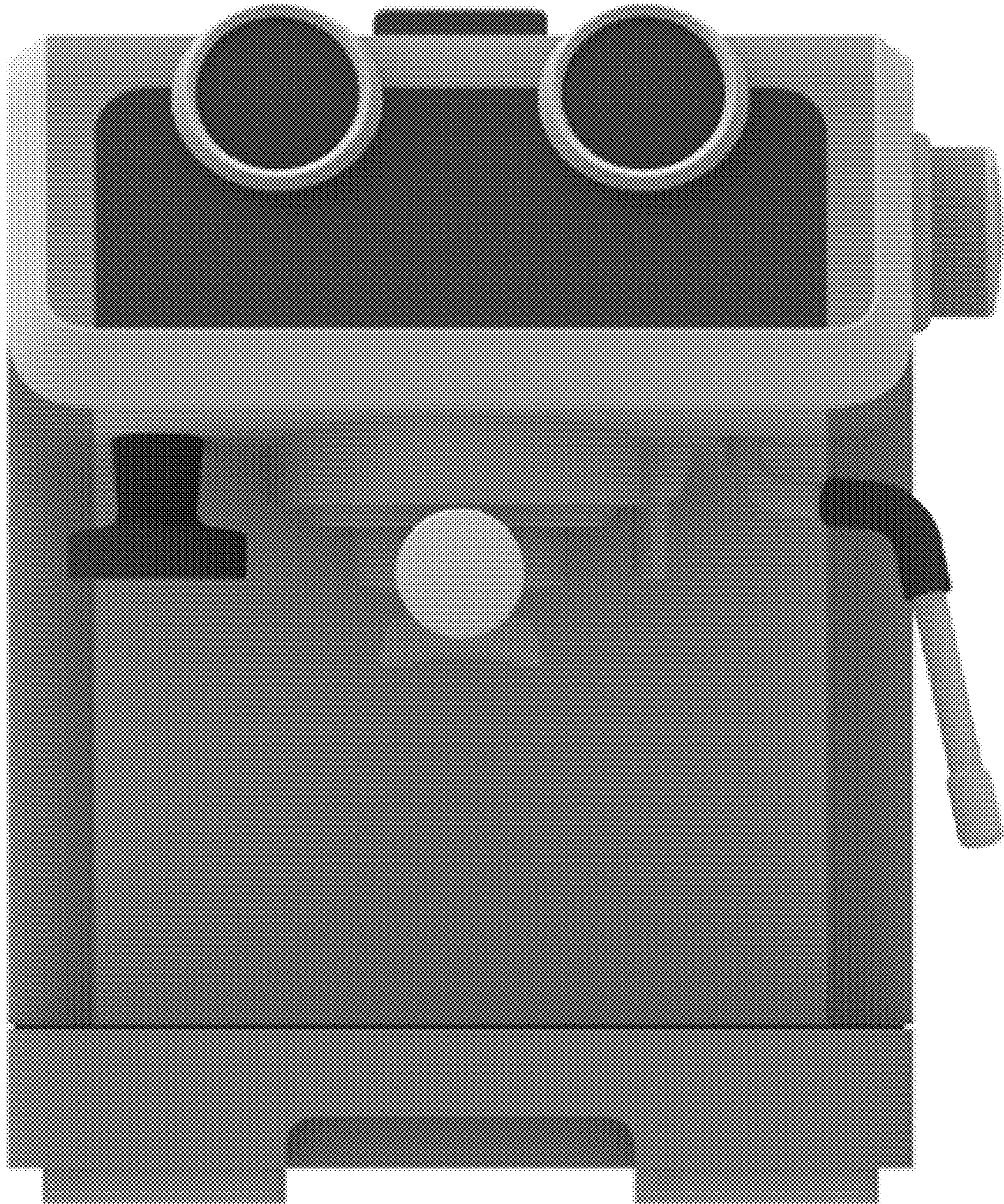


FIG. 2



FIG. 3

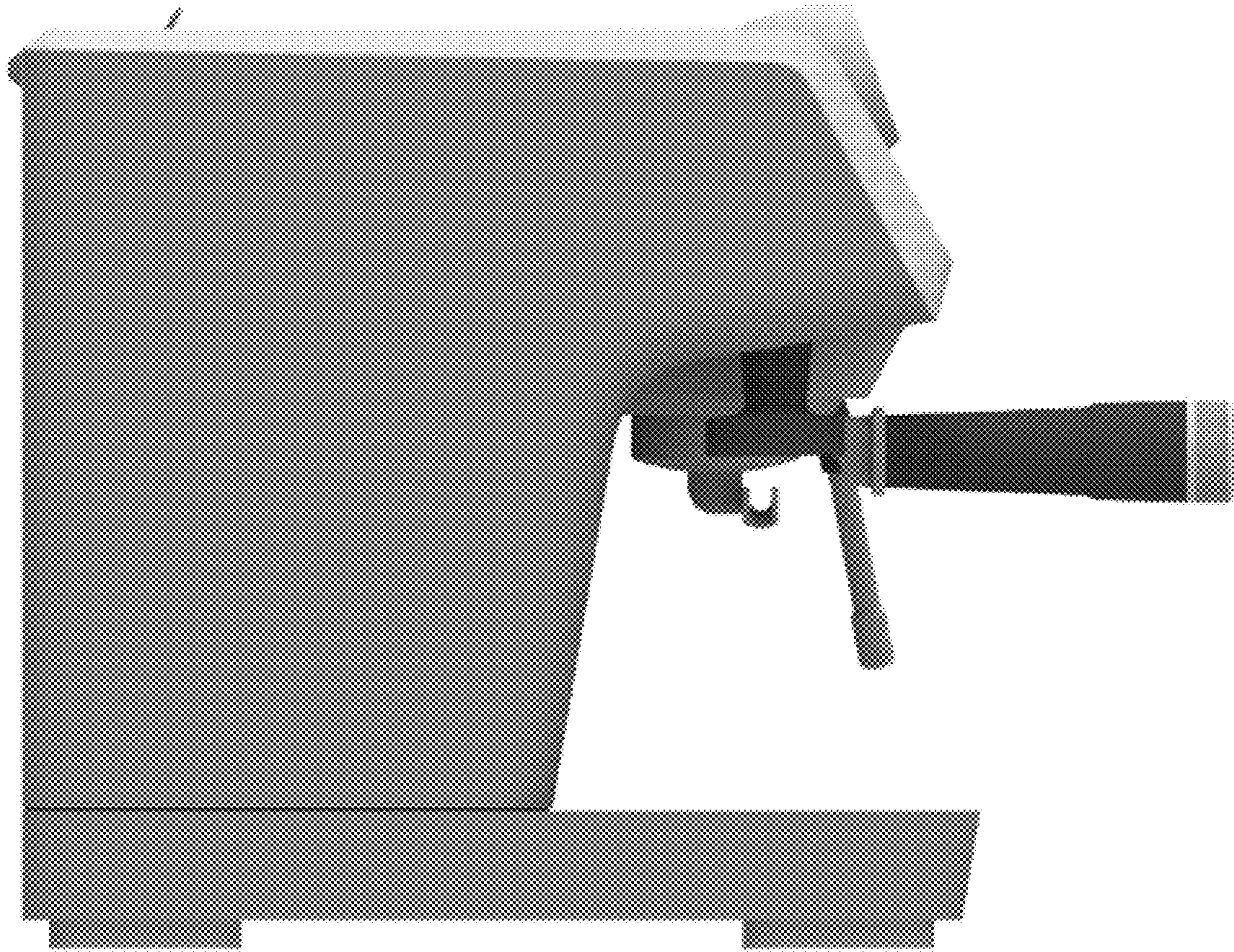


FIG. 4

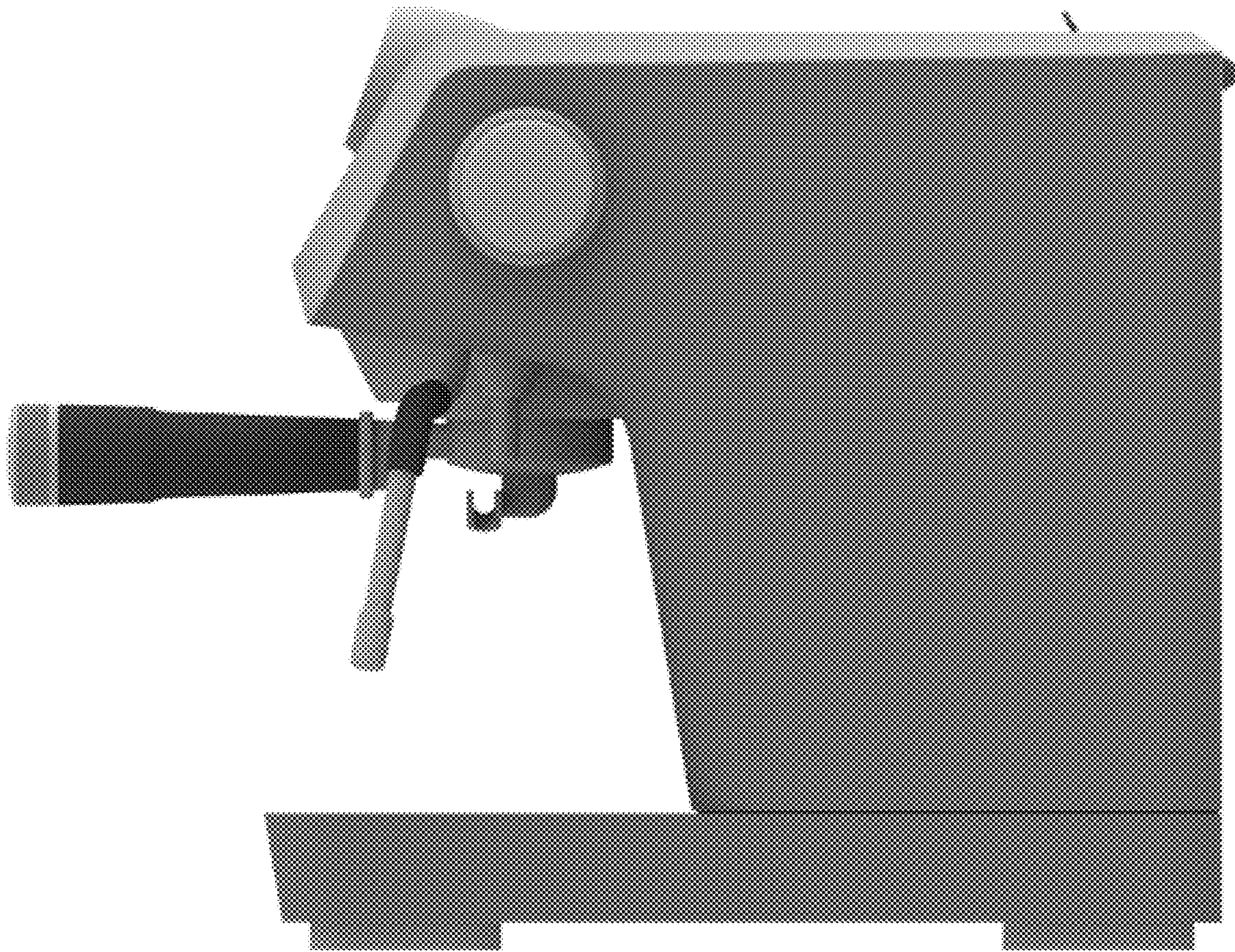


FIG. 5

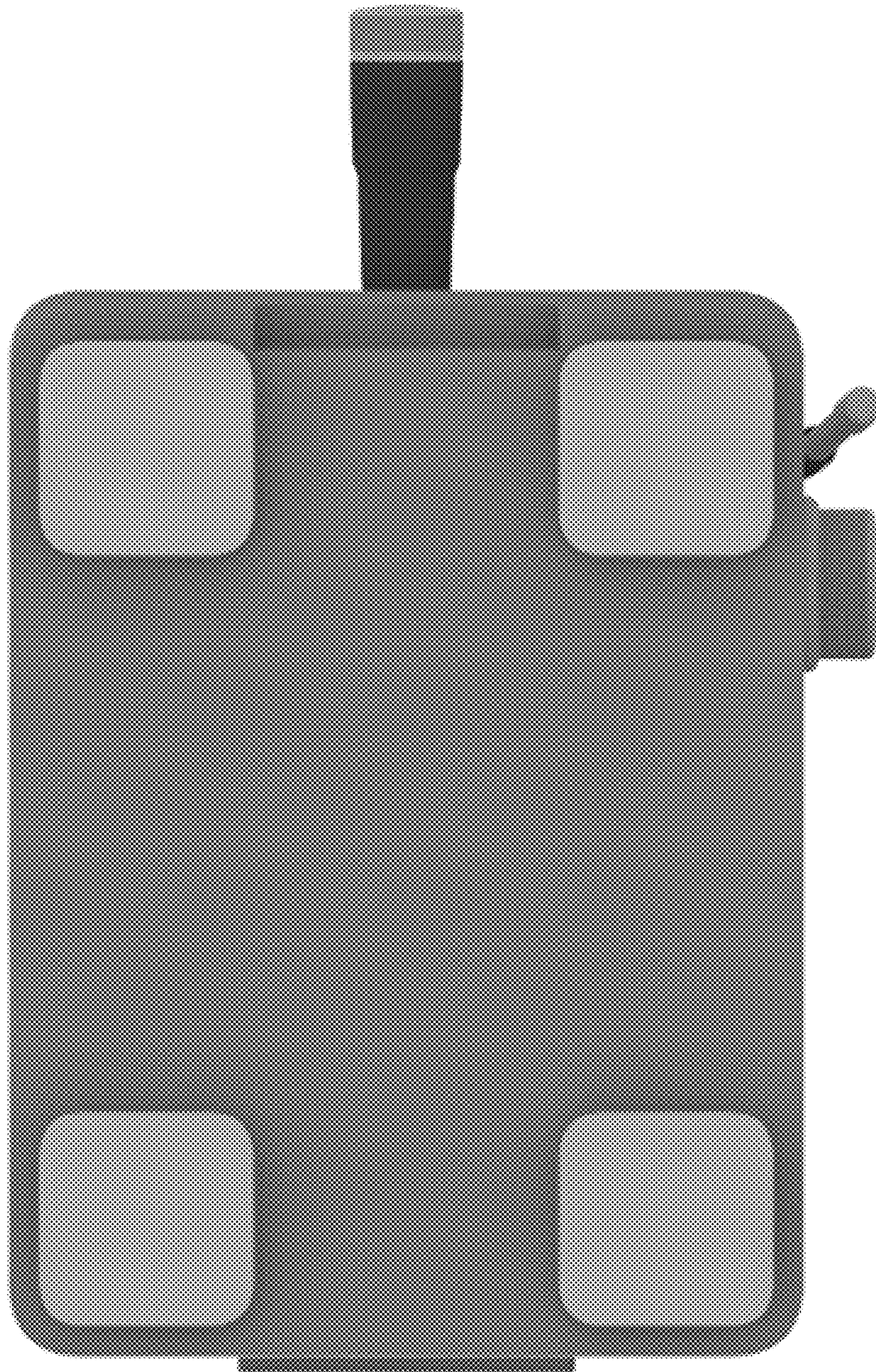


FIG. 6



FIG. 7