



US00D807096S

(12) **United States Design Patent**  
**Prefontaine et al.**

(10) **Patent No.:** **US D807,096 S**  
(45) **Date of Patent:** **\*\* Jan. 9, 2018**

- (54) **ESPRESSO MACHINE**
- (71) Applicant: **Seattle Espresso Machine Corporation**, Seattle, WA (US)
- (72) Inventors: **Jason Camille Prefontaine**, Bellevue, WA (US); **Christopher Flechtner**, Seattle, WA (US)
- (73) Assignee: **Seattle Espresso Machine Corporation**, Seattle, WA (US)
- (\*\*) Term: **15 Years**
- (21) Appl. No.: **29/565,517**
- (22) Filed: **May 20, 2016**
- (51) **LOC (11) Cl.** ..... **07-01**
- (52) **U.S. Cl.**  
USPC ..... **D7/307; D7/311; D7/308**
- (58) **Field of Classification Search**  
USPC ..... D7/305-311, 313; D15/82; 222/129.1, 222/146.6; 99/295  
CPC ..... A47J 31/44; A47J 31/4403; A47J 31/46; B67D 1/36; B67D 2210/0065; B67D 1/0864  
See application file for complete search history.

D573,393 S *	7/2008	Trazzi	.....	D7/309
D589,739 S *	4/2009	Giugiaro	.....	D7/308
D592,003 S *	5/2009	Giugiaro	.....	D7/308
D672,998 S *	12/2012	Bonetto	.....	D7/308
D695,052 S *	12/2013	Ottavi	.....	D7/309
D740,600 S *	10/2015	Damon	.....	D7/307
9,149,148 B2 *	10/2015	Jaccard	.....	A47J 31/00
D758,778 S *	6/2016	Bonetto	.....	D7/306
2015/0064323 A1 *	3/2015	Prefontaine	.....	A47J 31/46 426/433
2015/0110935 A1 *	4/2015	Prefontaine	.....	A47J 31/46 426/433
2016/0287007 A1 *	10/2016	Barnett	.....	A47J 31/46

\* cited by examiner

*Primary Examiner* — Marianne Pandozzi  
(74) *Attorney, Agent, or Firm* — Mark P. Walters; Ellen M. Bierman; Lowe Graham Jones PLLC

(57) **CLAIM**

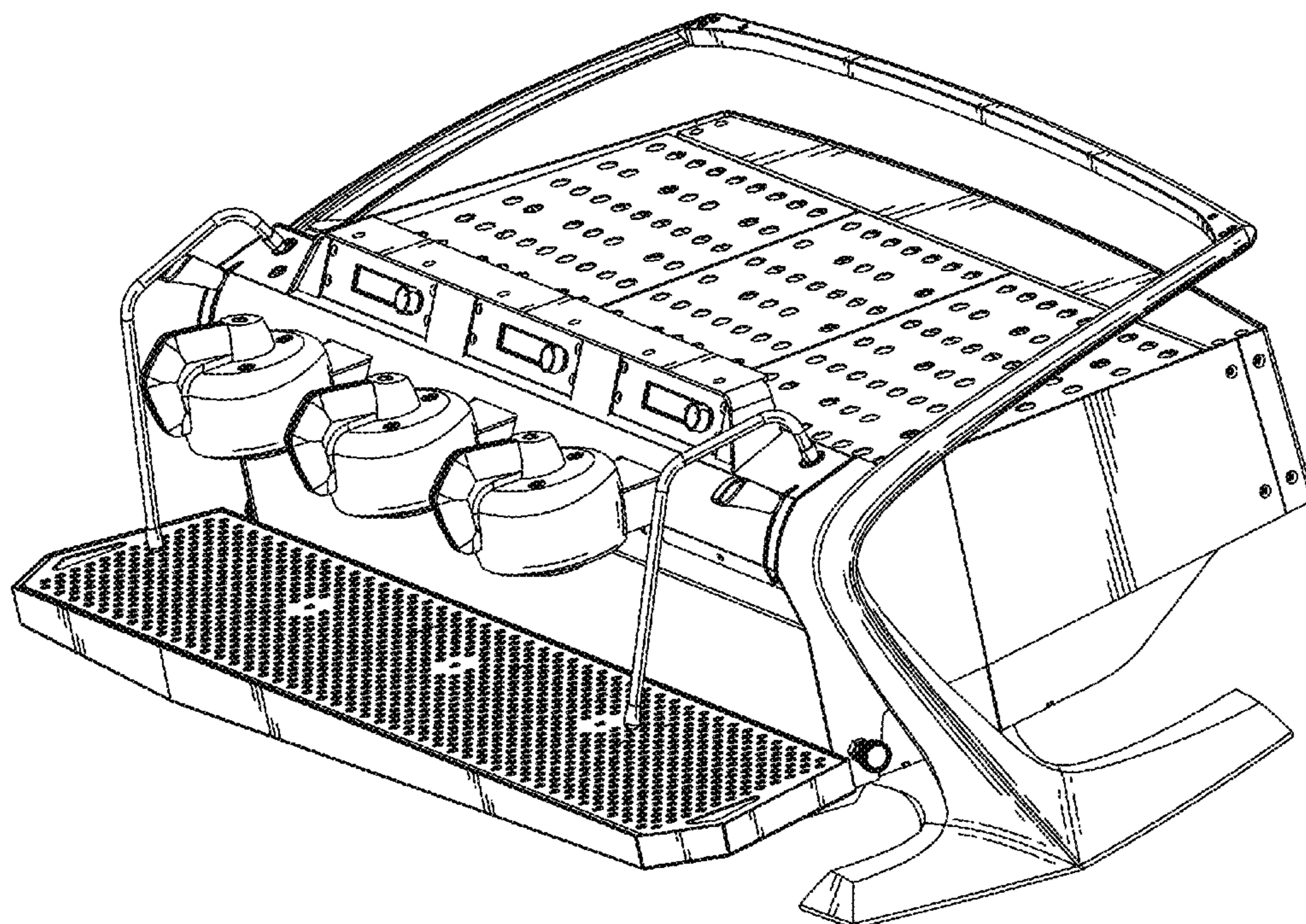
The ornamental design for an espresso machine, as shown and described.

**DESCRIPTION**

FIG. 1 is an anterior, top, perspective view of the espresso machine, showing our new design.  
FIG. 2 is posterior, top, perspective view of the espresso machine, showing our new design.  
FIG. 3 is a top planar view of the espresso machine, showing our new design; and,  
FIG. 4 is a bottom planar view of the espresso machine, showing our new design.

**1 Claim, 4 Drawing Sheets**

- (56) **References Cited**  
U.S. PATENT DOCUMENTS  
D395,975 S \* 7/1998 Munoz ..... D7/308  
D497,510 S \* 10/2004 Comorera Ivanov ..... D7/307  
6,862,978 B1 \* 3/2005 Fogagnolo ..... A47J 31/4403  
99/279  
D551,487 S \* 9/2007 Beretta ..... D7/307



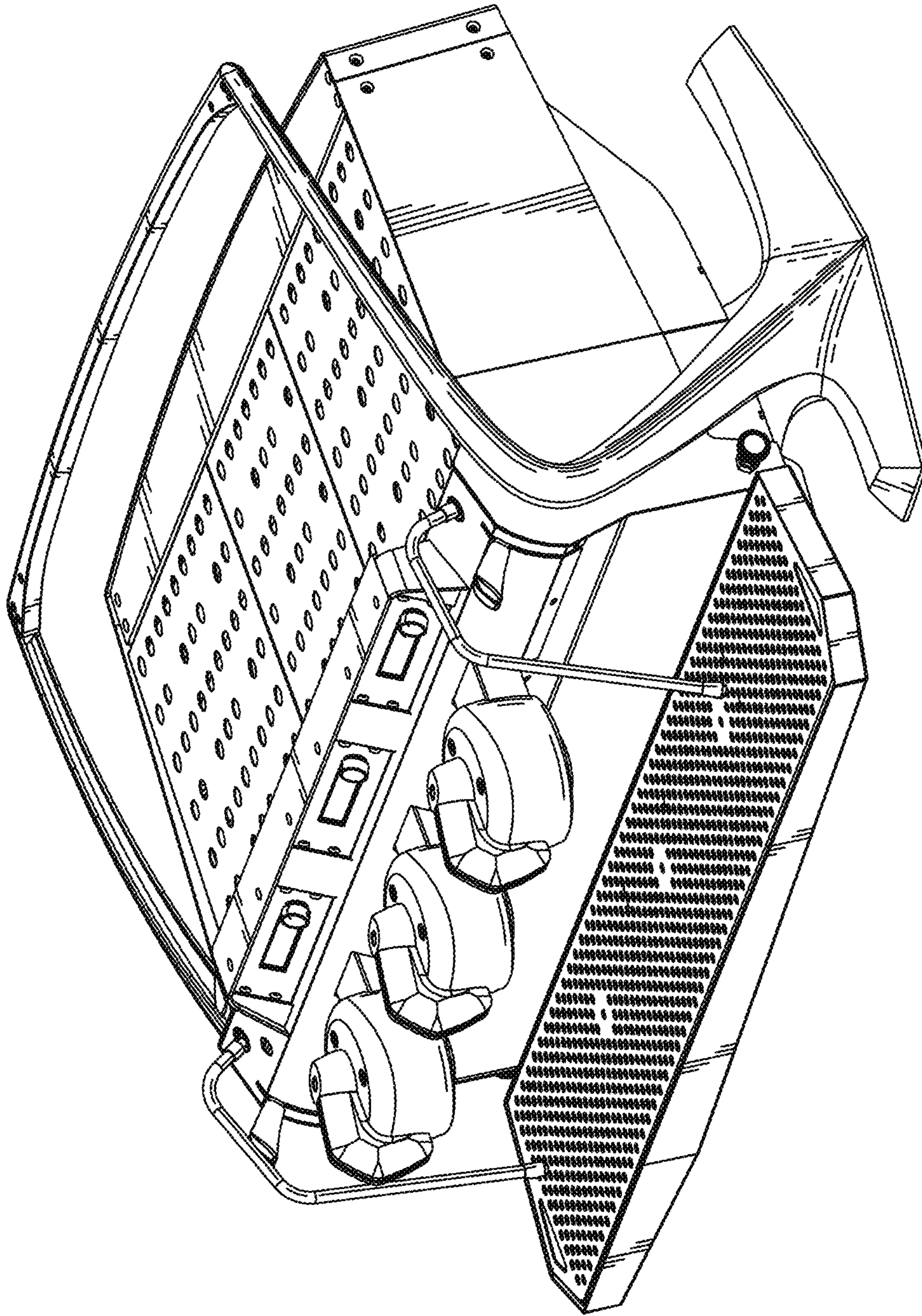


FIG. 1

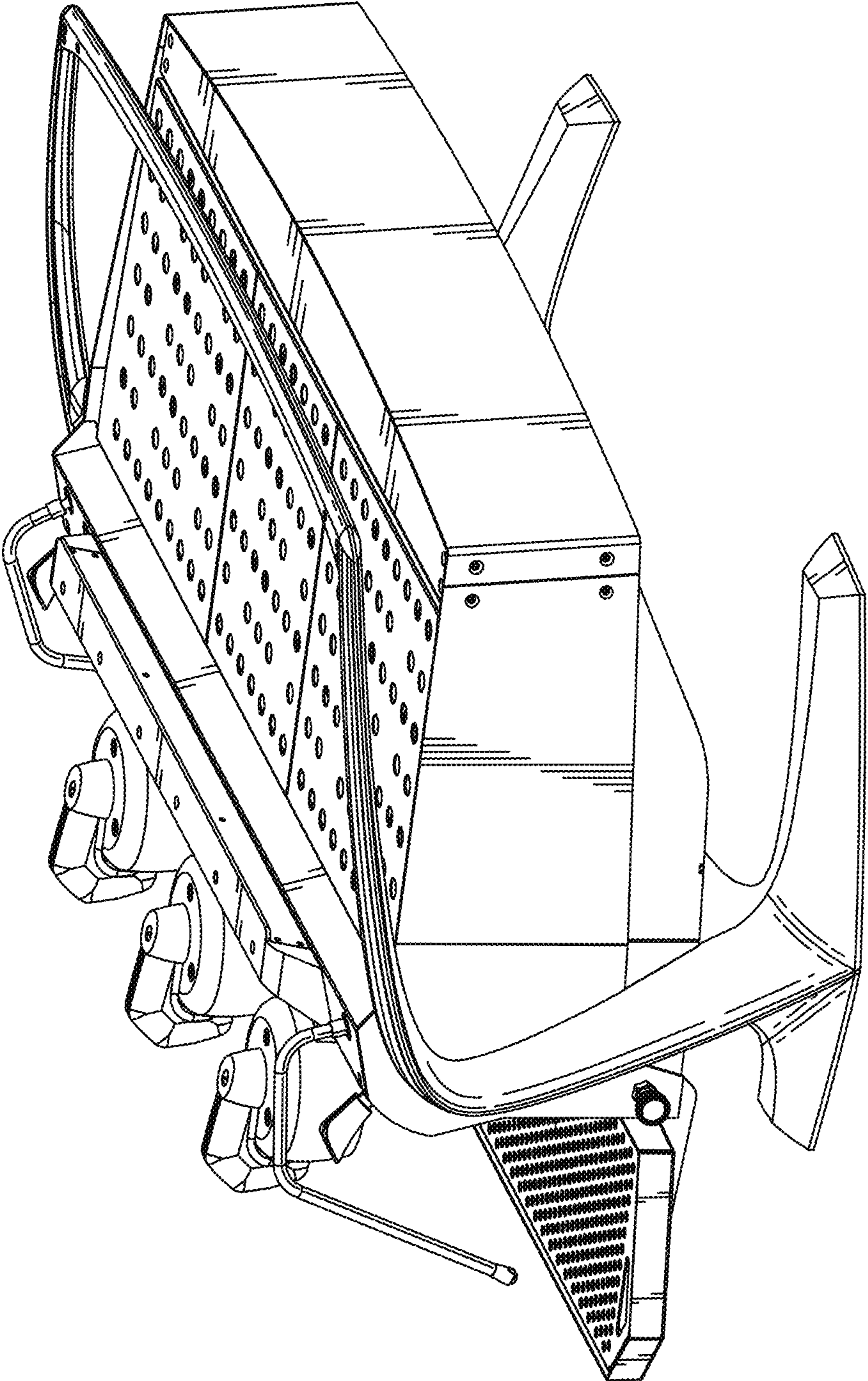


FIG. 2

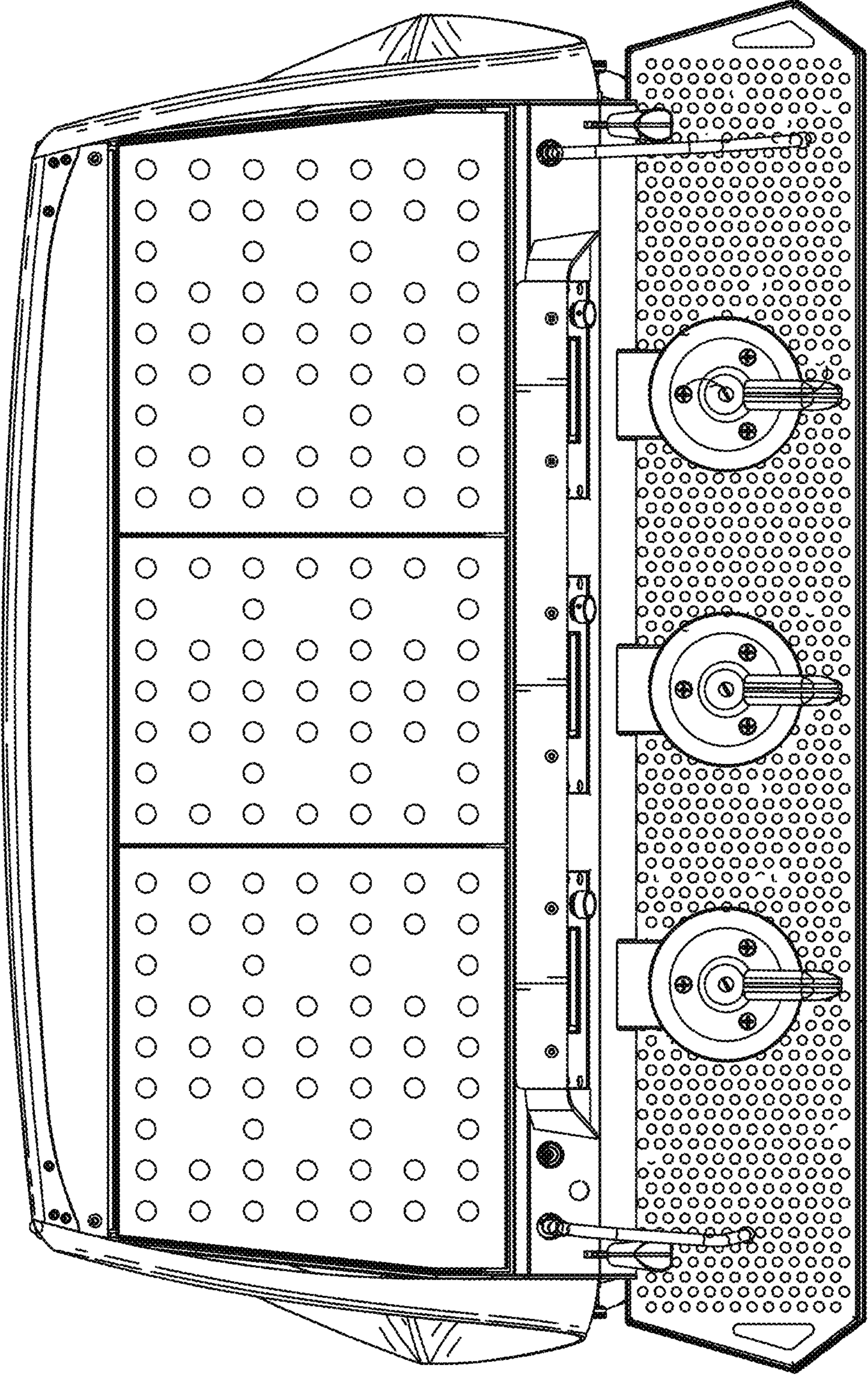


FIG. 3

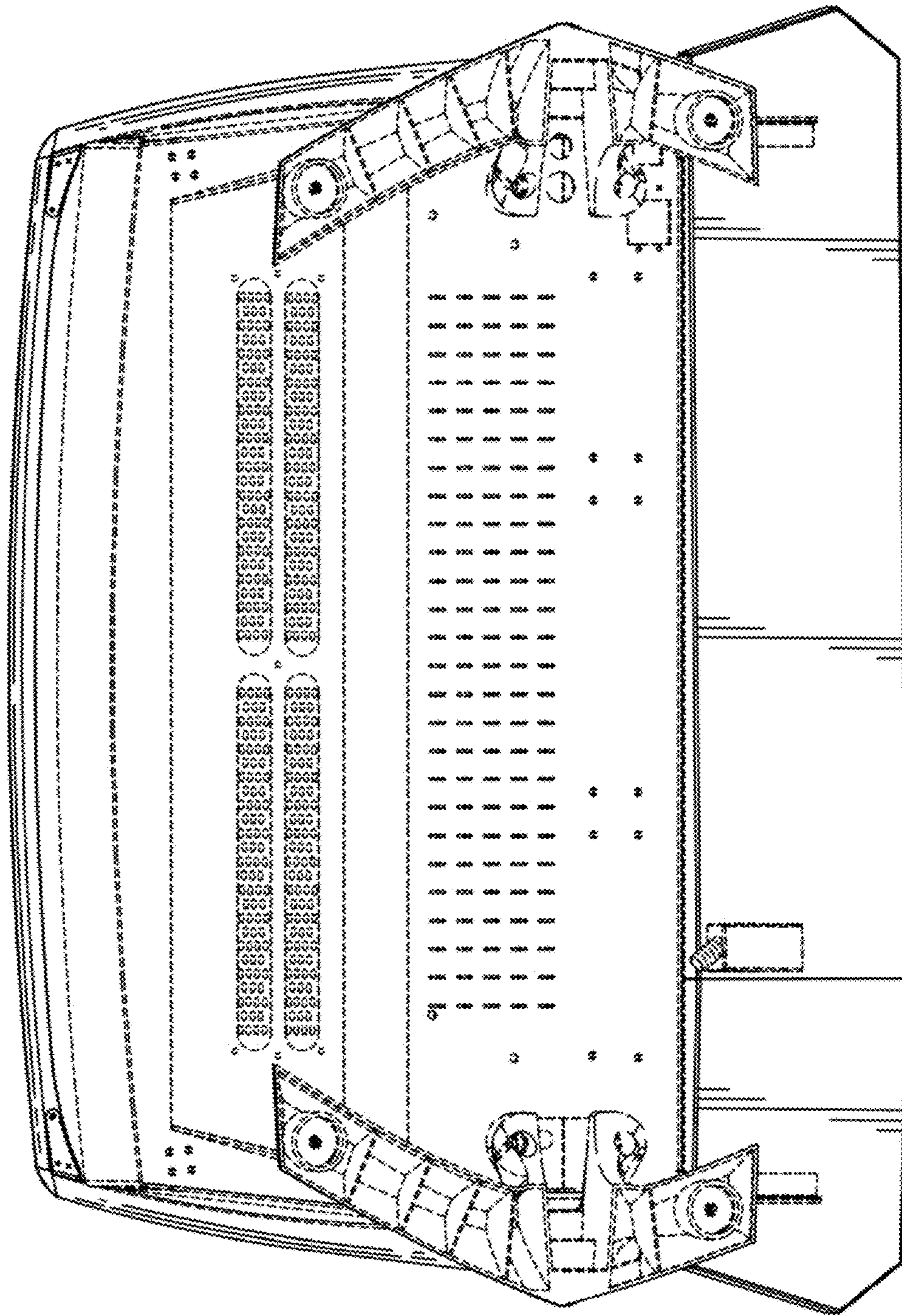


FIG. 4