



US00D807094S

(12) **United States Design Patent**
Burden

(10) **Patent No.:** **US D807,094 S**

(45) **Date of Patent:** **** Jan. 9, 2018**

(54) **HEADBOARD**

(71) Applicant: **Ian James Burden**, Sovereign Islands
(AU)

(72) Inventor: **Ian James Burden**, Sovereign Islands
(AU)

(**) Term: **15 Years**

(21) Appl. No.: **29/576,656**

(22) Filed: **Sep. 6, 2016**

(30) **Foreign Application Priority Data**

Mar. 29, 2016 (AU) 201611863

(51) **LOC (11) Cl.** **06-06**

(52) **U.S. Cl.**
USPC **D6/718.22**

(58) **Field of Classification Search**
USPC D6/382-384, 393-395, 718, 718.3,
D6/718.21, 718.22

CPC A47C 19/00; A47C 19/02; A47C 19/021;
A47C 19/022

See application file for complete search history.

(56) **References Cited**

U.S. PATENT DOCUMENTS

D88,180 S * 11/1932 Van De Riet D6/393
D466,716 S * 12/2002 Tobin, Jr. D6/393
D493,040 S * 7/2004 Wanek D6/393
D557,033 S * 12/2007 De Blaay D6/393

D564,778 S * 3/2008 Juneau D6/393
D641,187 S * 7/2011 Schopmeyer D6/718.22
D719,387 S * 12/2014 Biter D6/718.22
D767,914 S * 10/2016 Burden D6/393
D770,825 S * 11/2016 Burden D6/718.22
D770,826 S * 11/2016 Burden D6/718.22
D775,886 S * 1/2017 Burden D6/718.21
D785,968 S * 5/2017 Burden D6/395

* cited by examiner

Primary Examiner — Cathron C Brooks

(74) *Attorney, Agent, or Firm* — Dykema Gossett PLLC

(57) **CLAIM**

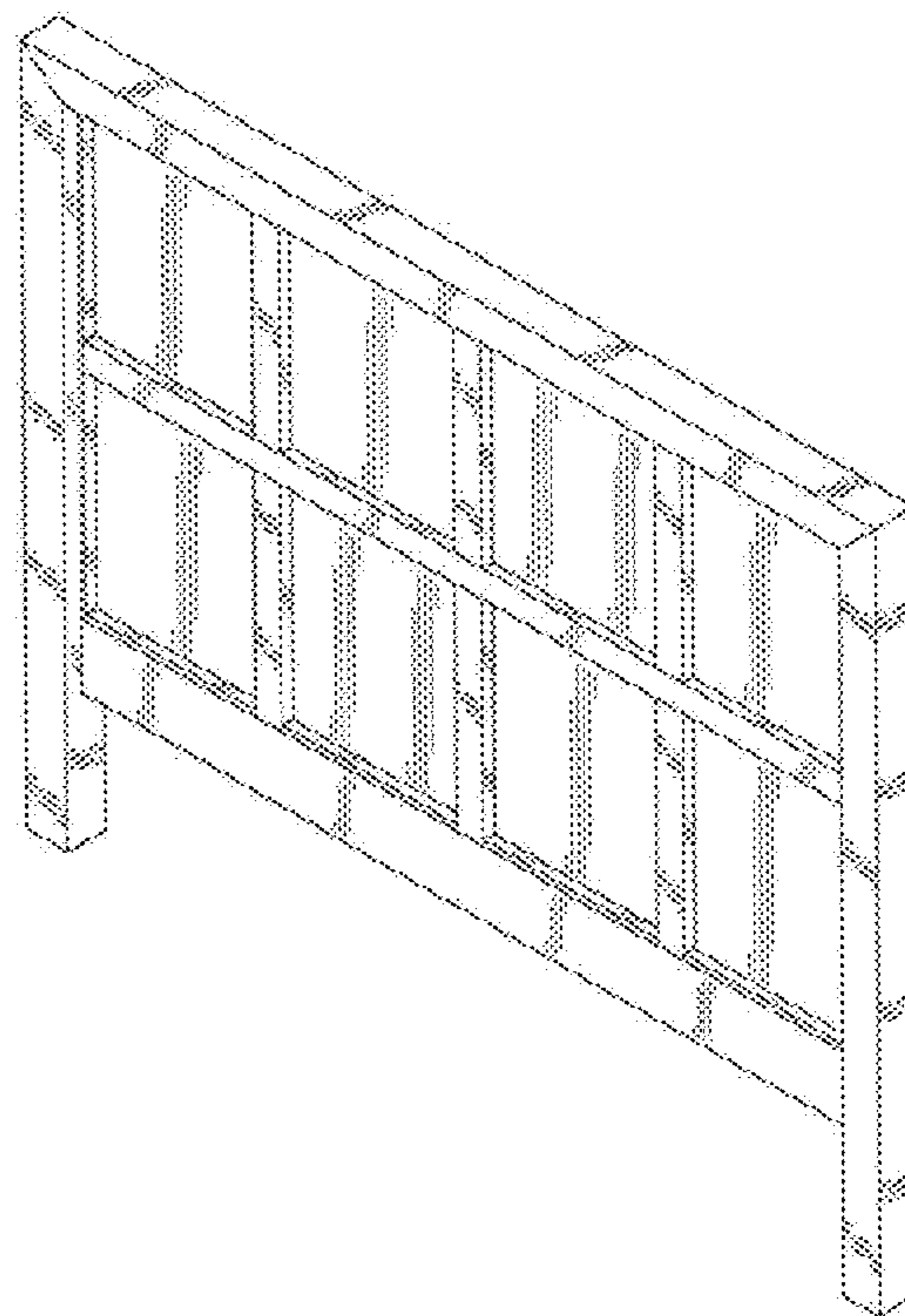
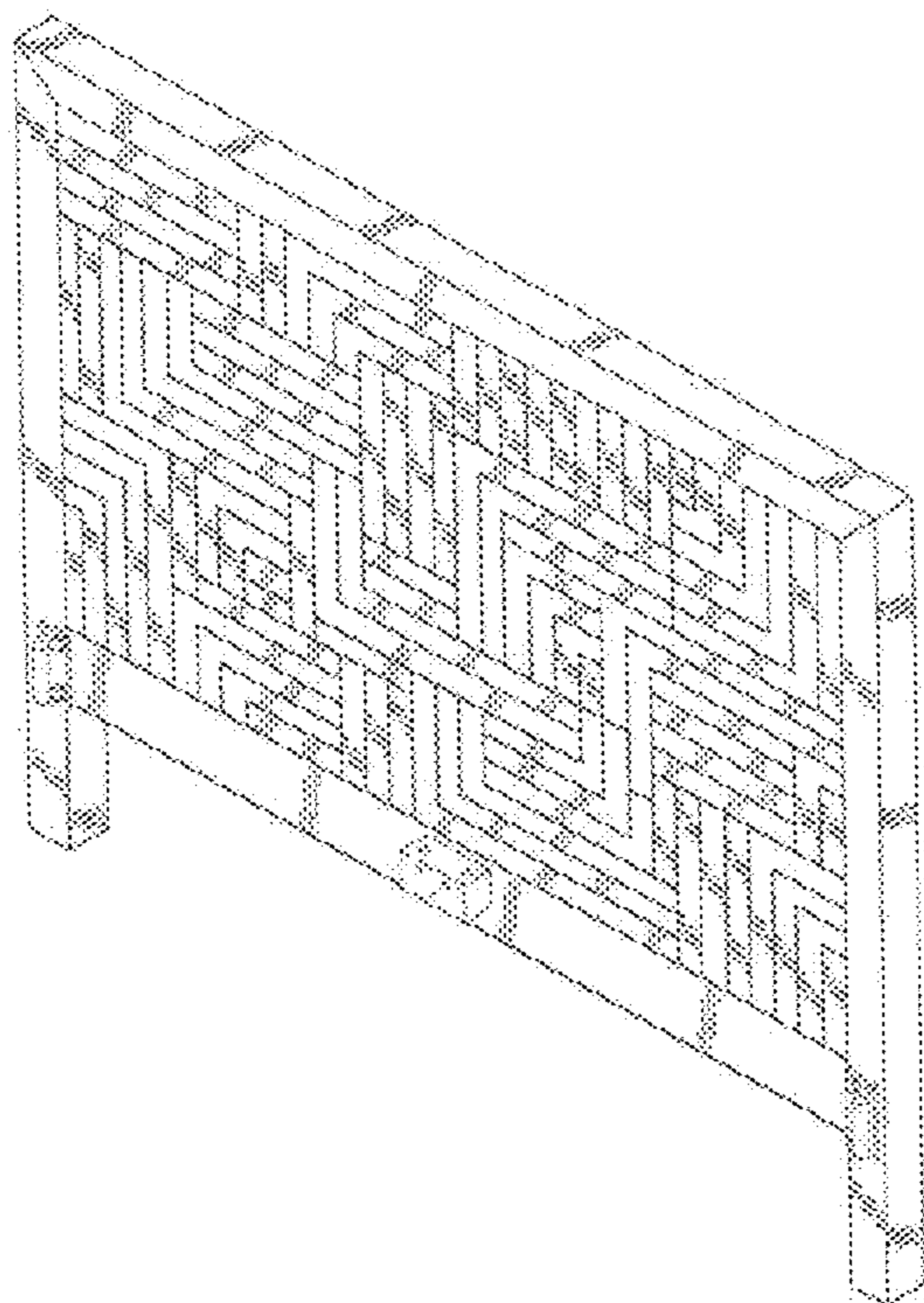
The ornamental design for a headboard, as shown and described.

DESCRIPTION

FIG. 1 is an elevational front view of a headboard according to my new and ornamental design, FIG. 2 is an elevational rear view thereof, FIG. 3 is an elevational left side view thereof, FIG. 4 is an elevational right side view thereof, FIG. 5 is a top plan view thereof, FIG. 6 is a bottom plan view thereof, FIG. 7 is a perspective left front view thereof, FIG. 8 is a perspective right front view thereof, FIG. 9 is a perspective left rear view thereof; and, FIG. 10 is a perspective right rear view thereof.

The broken lines in the figures illustrate environmental subject matter that forms no part of the claimed design.

1 Claim, 8 Drawing Sheets



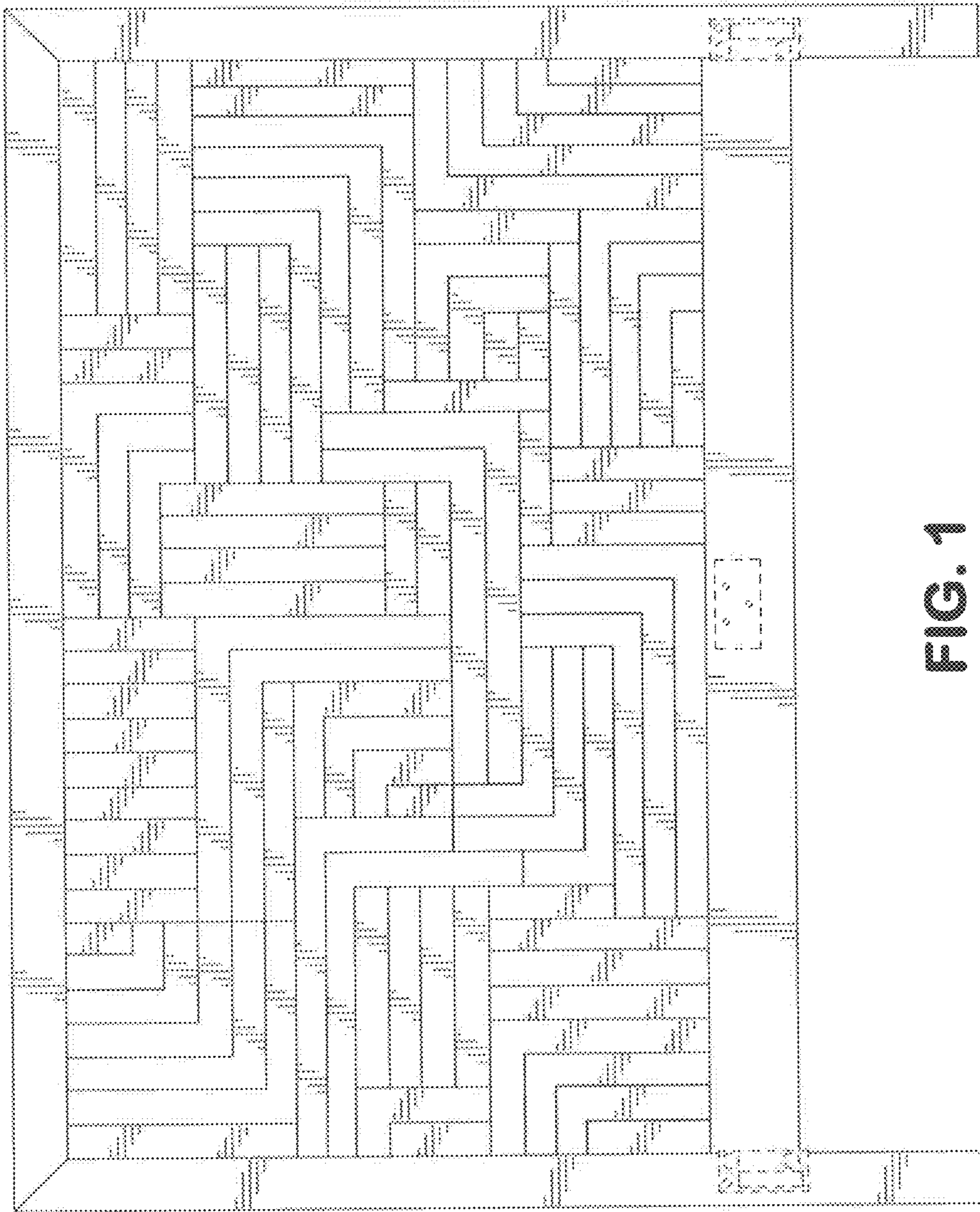


FIG. 1



FIG. 2

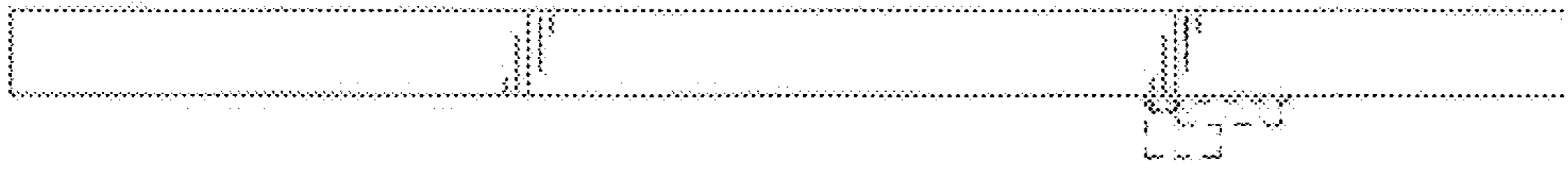


FIG. 4

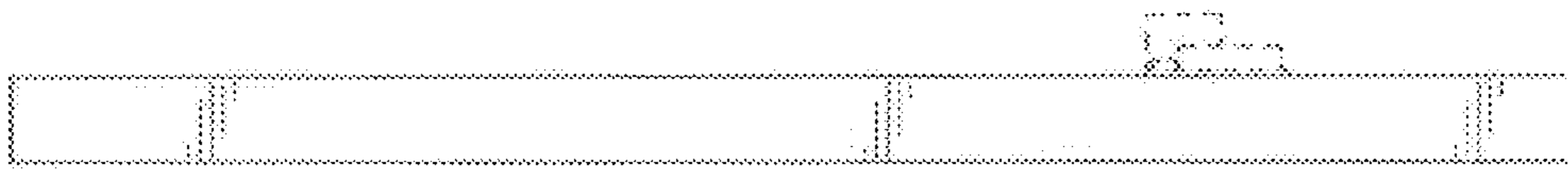


FIG. 3

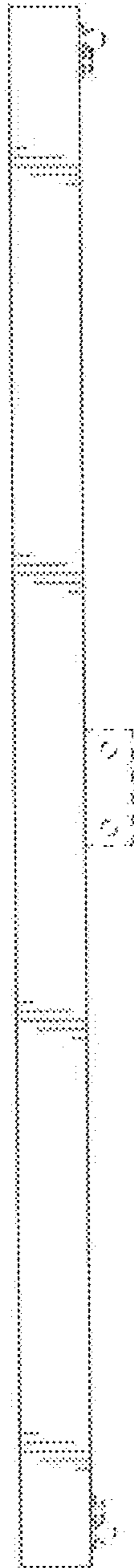


FIG. 5

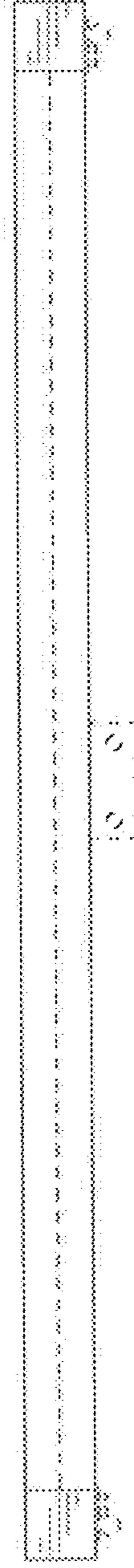


FIG. 6

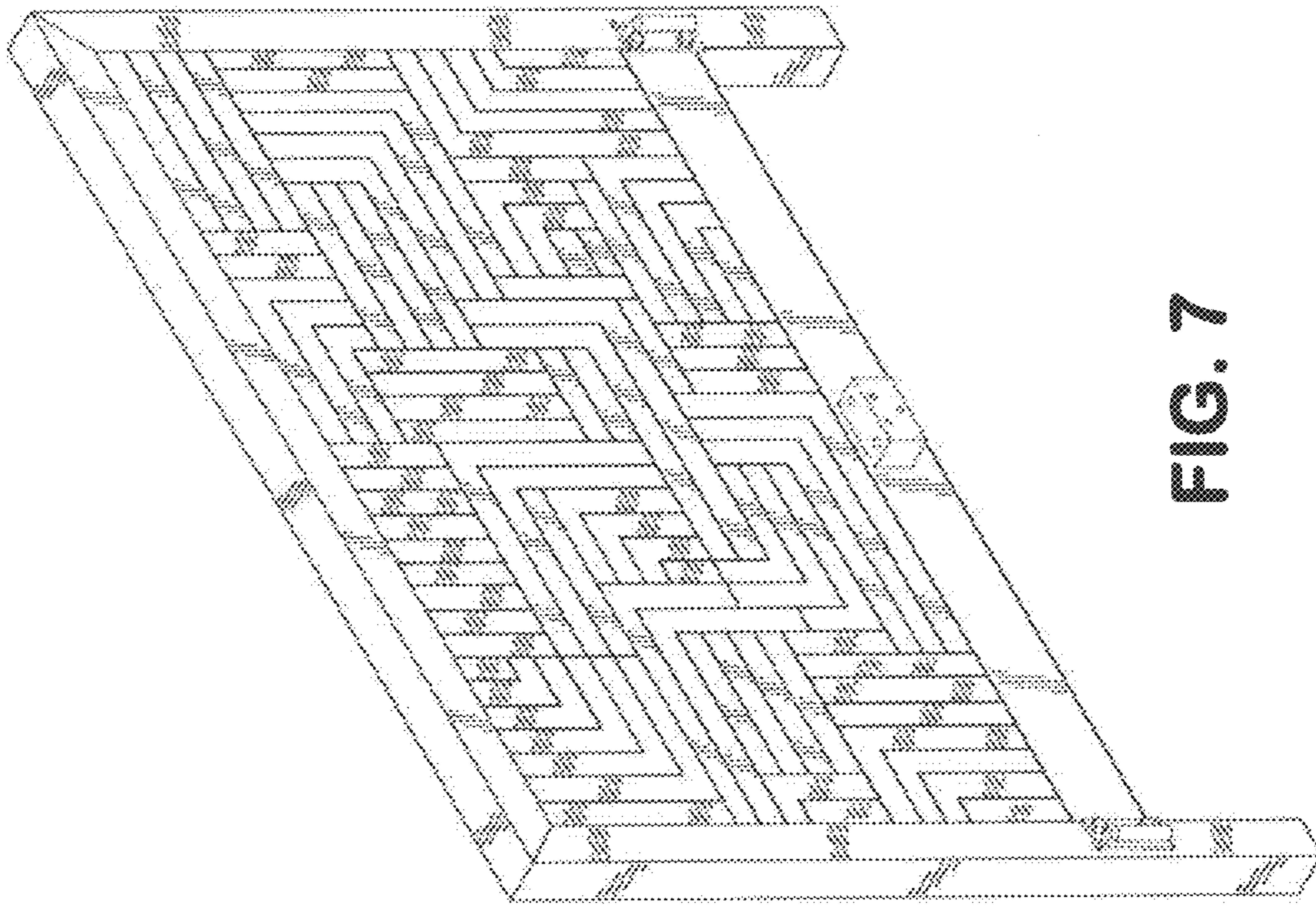


FIG. 7

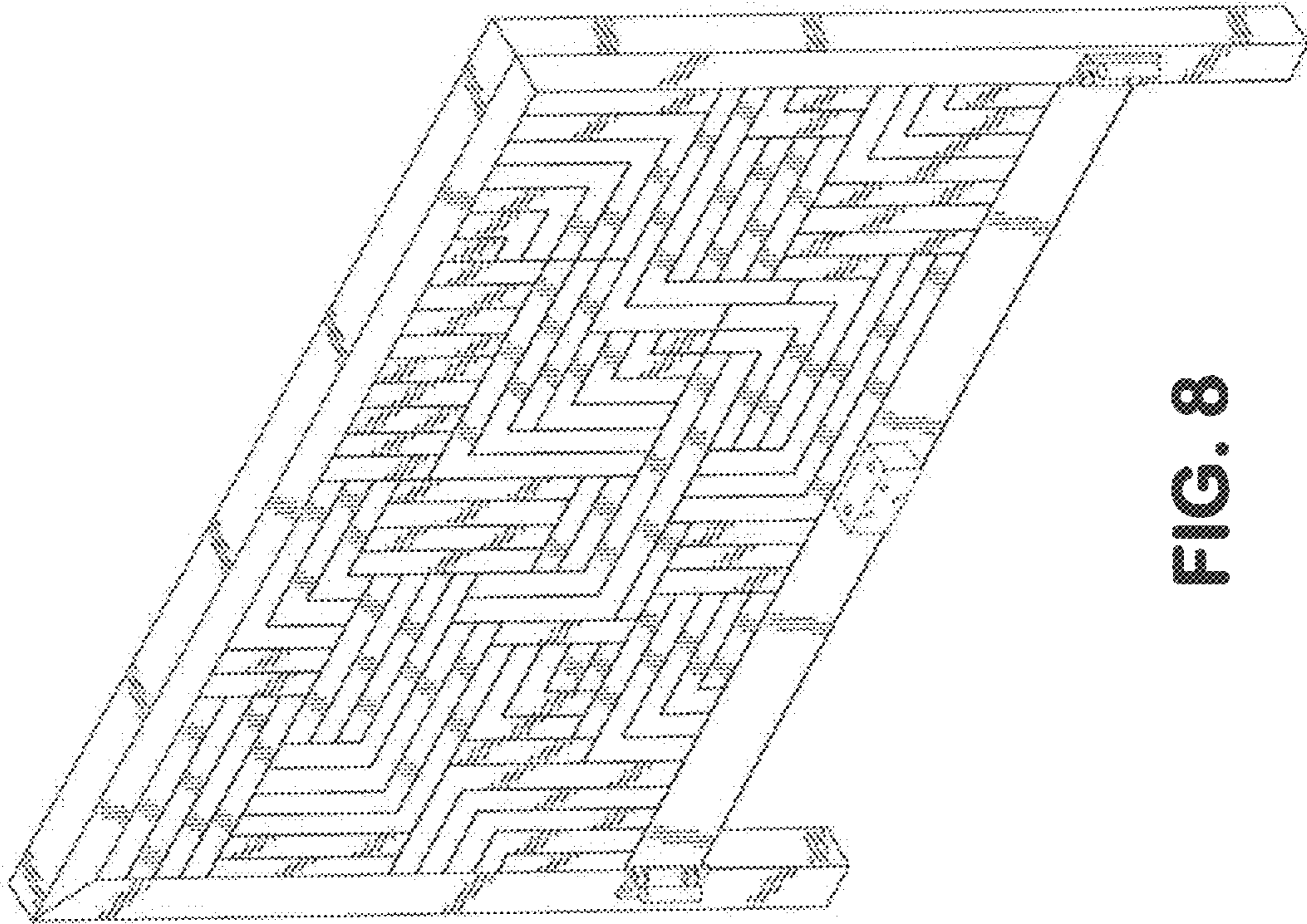


FIG. 8

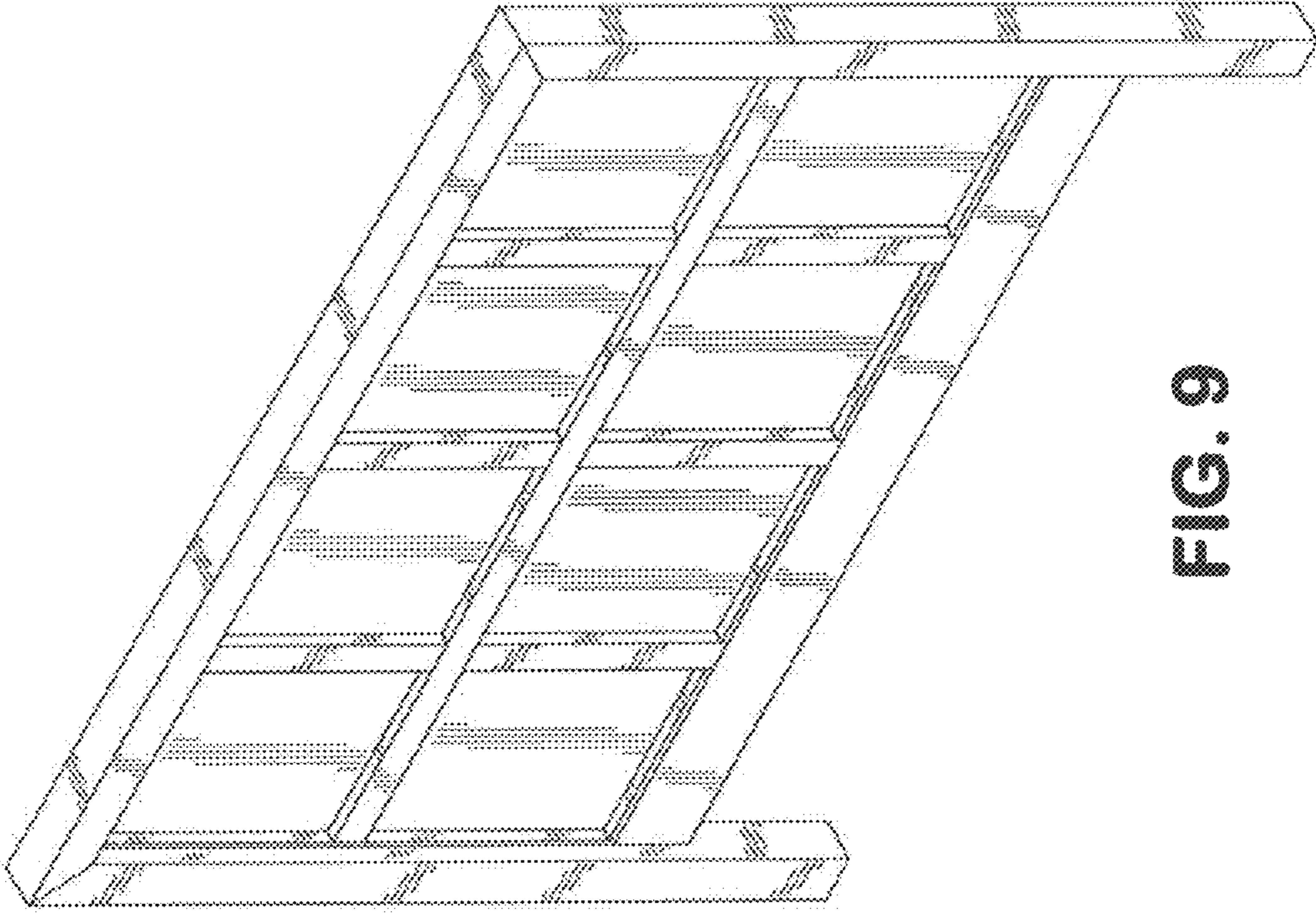


FIG. 9

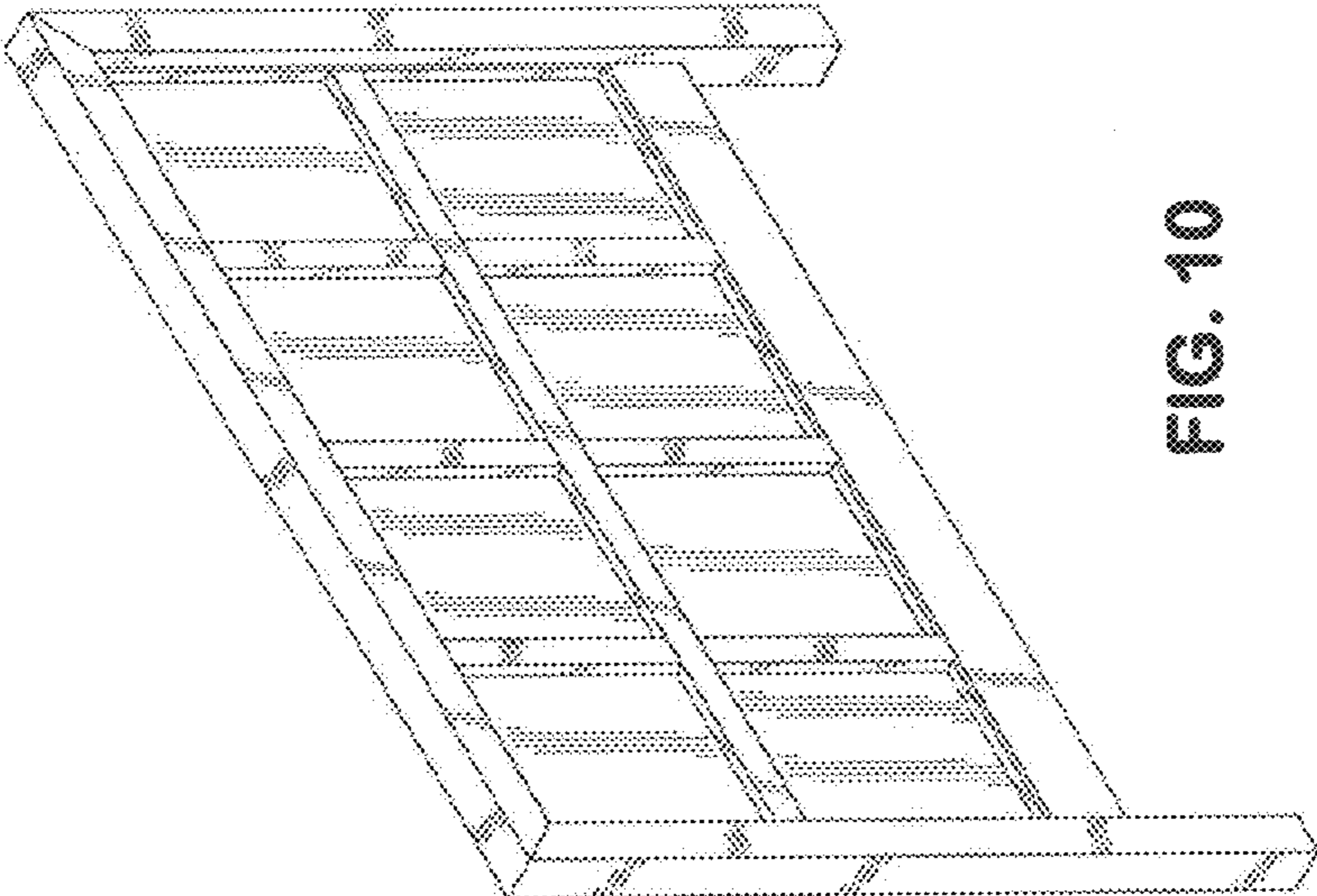


FIG. 10