



US00D807092S

(12) **United States Design Patent**
Nelson

(10) **Patent No.:** **US D807,092 S**
(45) **Date of Patent:** **** Jan. 9, 2018**

(54) **LETTER U CHAIR**

CPC A47C 4/02; A47C 4/03; A47C 7/16; A47C 7/36; A47C 3/14

(71) Applicant: **Sender's Construction, LLC**, Polk City, IA (US)

See application file for complete search history.

(72) Inventor: **Keith Nelson**, Grimes, IA (US)

(56) **References Cited**

(73) Assignee: **Sender's Construction, LLC**, Polk City, IA (US)

U.S. PATENT DOCUMENTS

(**) Term: **15 Years**

D489,193	S	*	5/2004	Muller	D6/380
D555,381	S	*	11/2007	Swanson	D6/374
D595,515	S	*	7/2009	Collette	D6/334
D646,096	S	*	10/2011	Langbord	D6/716.4
D676,690	S	*	2/2013	Pheasant	D6/716.4
D699,993	S	*	2/2014	Nelson	D6/716.1
D735,511	S	*	8/2015	Nelson	D6/716
D765,452	S	*	9/2016	Nelson	D6/716
D769,632	S	*	10/2016	Bullejos	D6/358
D786,596	S	*	5/2017	Nelson	D6/716

(21) Appl. No.: **29/599,429**

(22) Filed: **Apr. 3, 2017**

* cited by examiner

Related U.S. Application Data

(63) Continuation of application No. 29/572,875, filed on Aug. 1, 2016, now Pat. No. Des. 786,596, which is a continuation of application No. 29/550,416, filed on Jan. 4, 2016, now Pat. No. Des. 765,452, which is a continuation of application No. 29/531,933, filed on Jun. 30, 2015, now abandoned, which is a continuation of application No. 29/475,661, filed on Dec. 5, 2013, now Pat. No. Des. 735,511, which is a continuation of application No. 29/393,407, filed on Jun. 3, 2011, now Pat. No. Des. 699,993.

Primary Examiner — Kelley Donnelly

(74) *Attorney, Agent, or Firm* — McKee, Voorhees & Sease, PLC

(51) **LOC (11) Cl.** **06-06**

(52) **U.S. Cl.**
USPC **D6/716**

(58) **Field of Classification Search**
USPC D6/334, 341, 371-375, 381, 491-492, D6/500-502, 702, 716-716.1; 297/232-233, 239, 300.1, 311, 353, 297/445.1, 446.1, 448.1, 448.2, 452.11

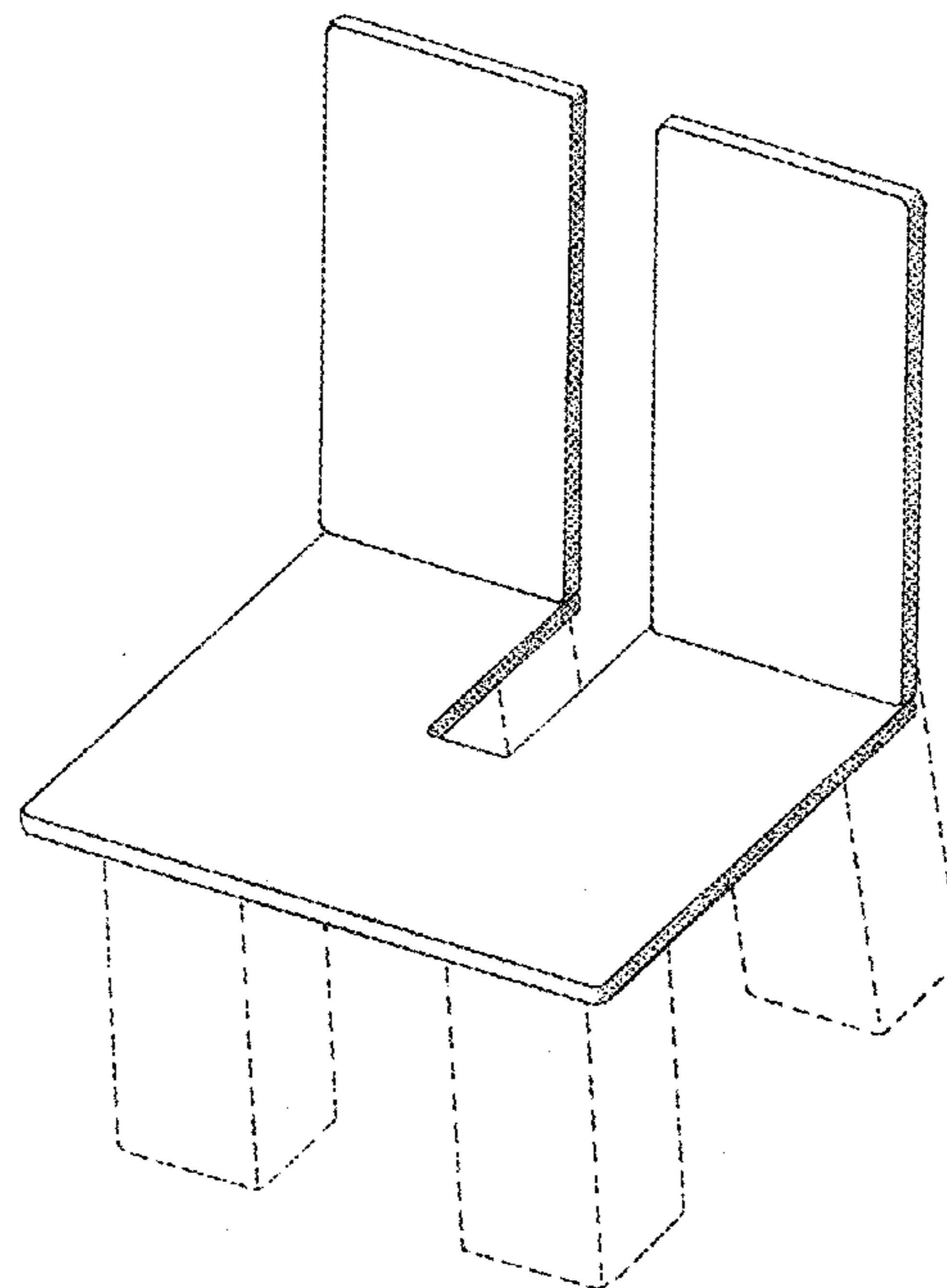
(57) **CLAIM**

The ornamental design for the letter U chair, as shown and described.

DESCRIPTION

FIG. 1 is a perspective view of the letter "U" chair. FIG. 2 is a rear view of the letter "U" chair. FIG. 3 is a front view of the letter "U" chair. FIG. 4 is a top view of the letter "U" chair. FIG. 5 is a side view of the letter "U" chair; and, FIG. 6 is a side view of the letter "U" chair. The broken lines depict environmental subject matter only and form no part of the claimed design.

1 Claim, 6 Drawing Sheets



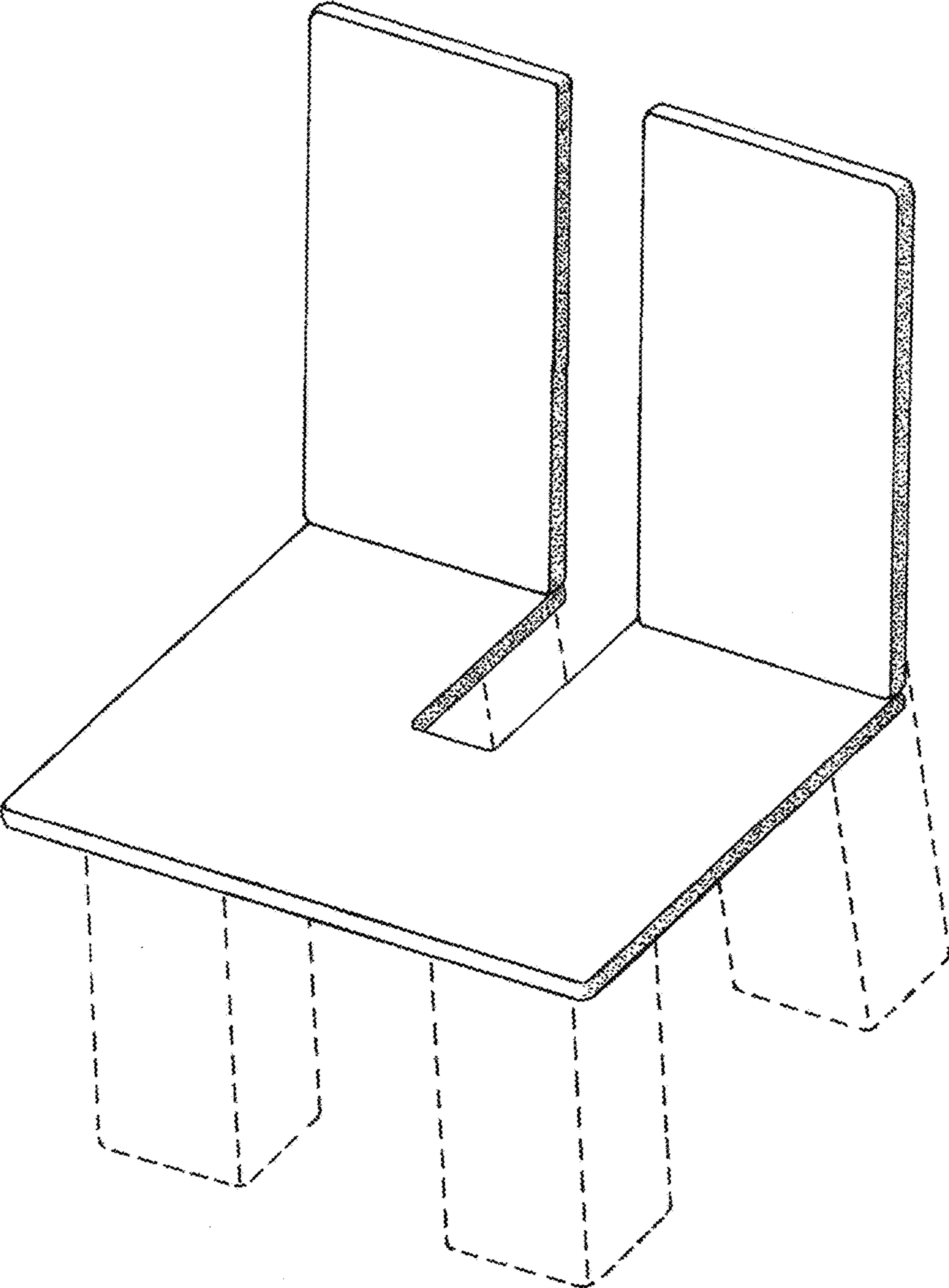


FIG. 1

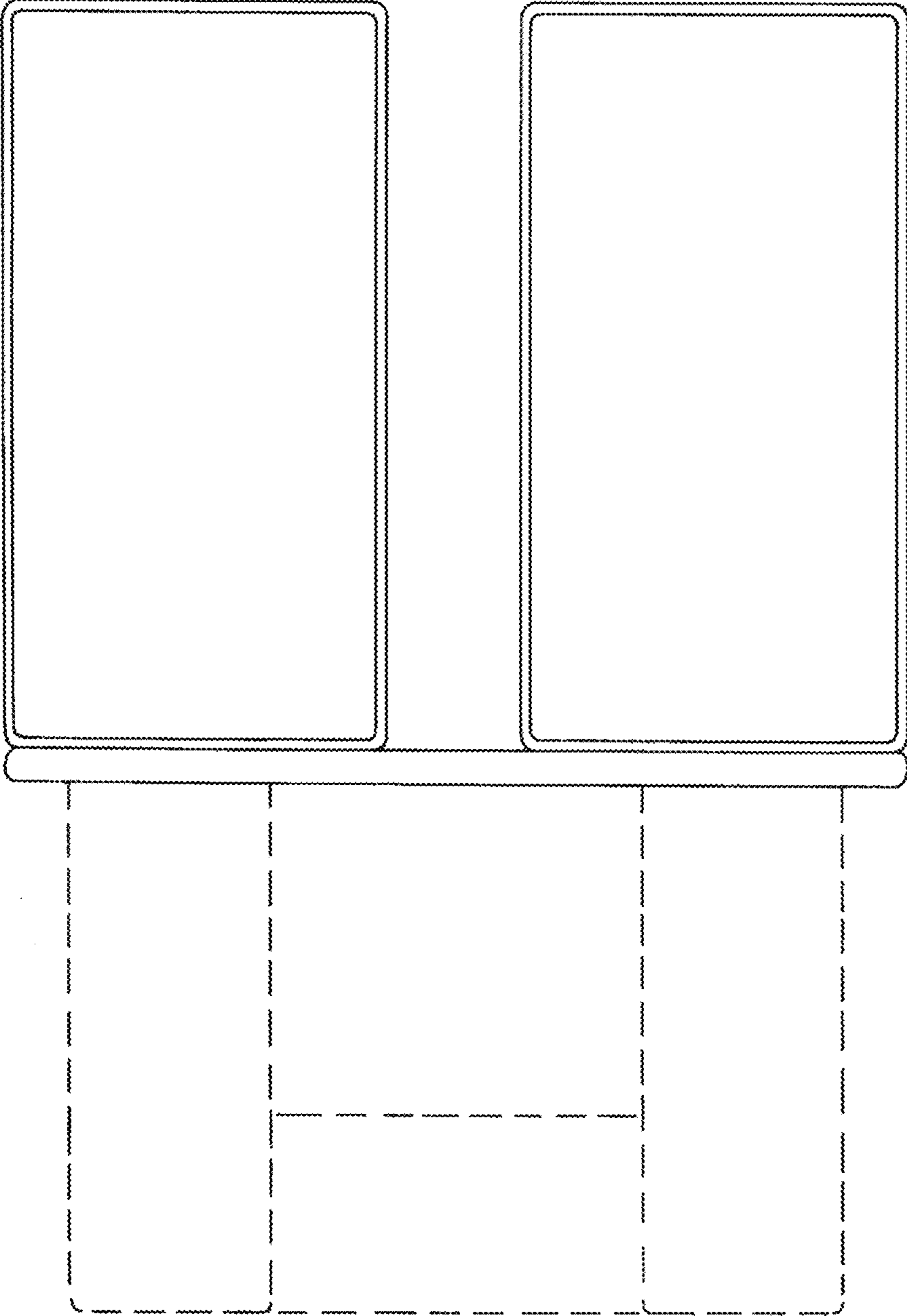


FIG. 2

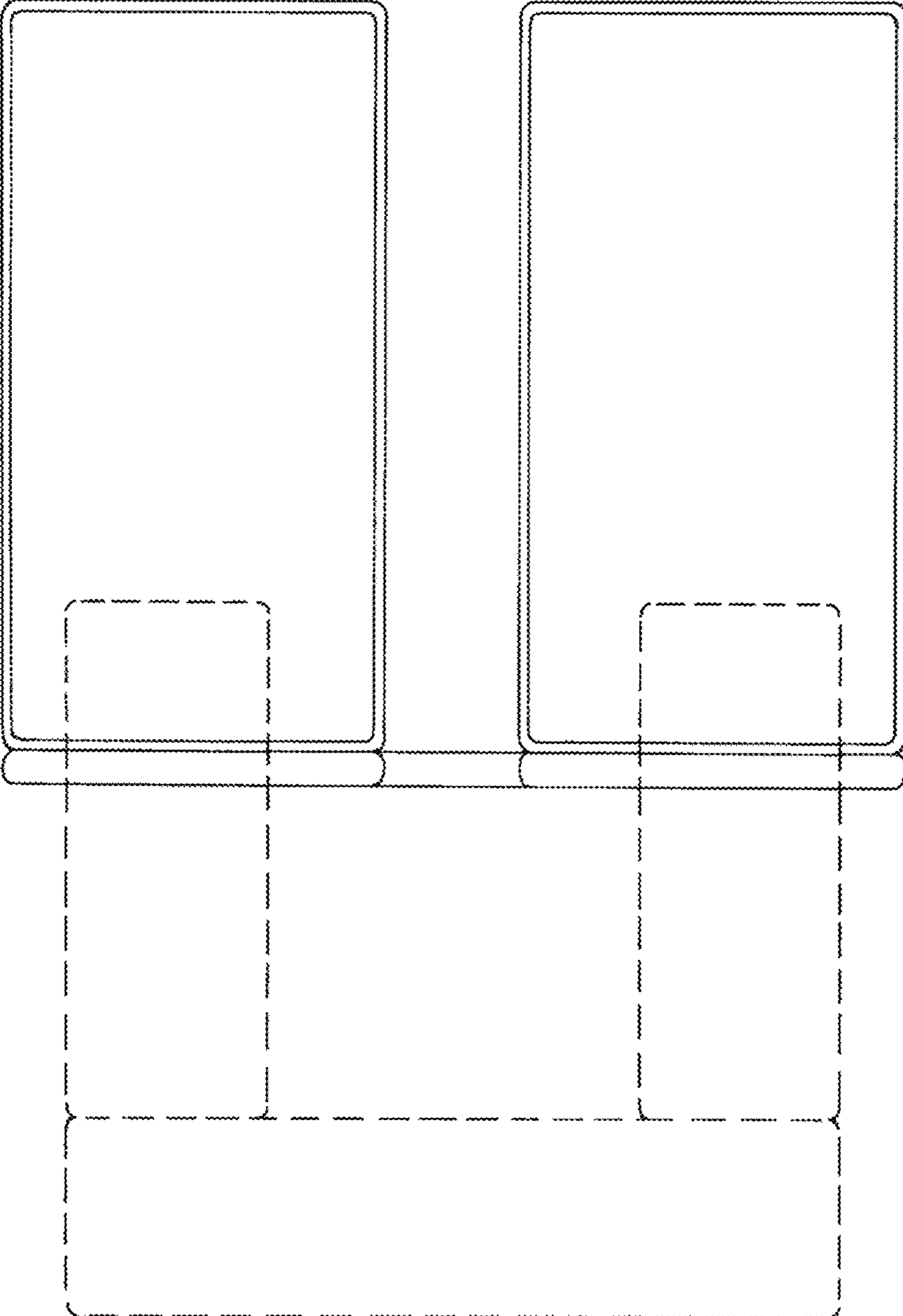


FIG. 3

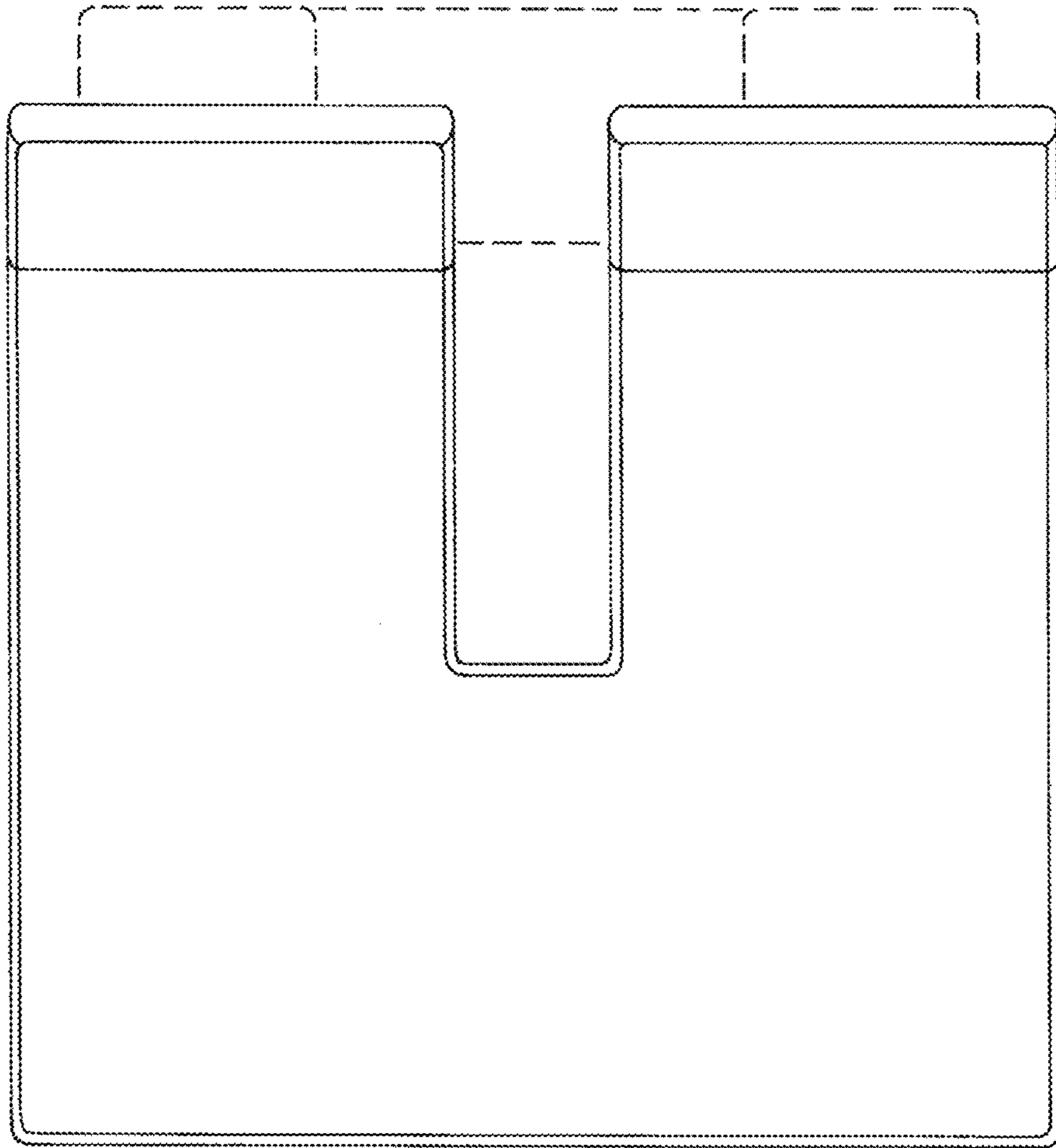


FIG. 4

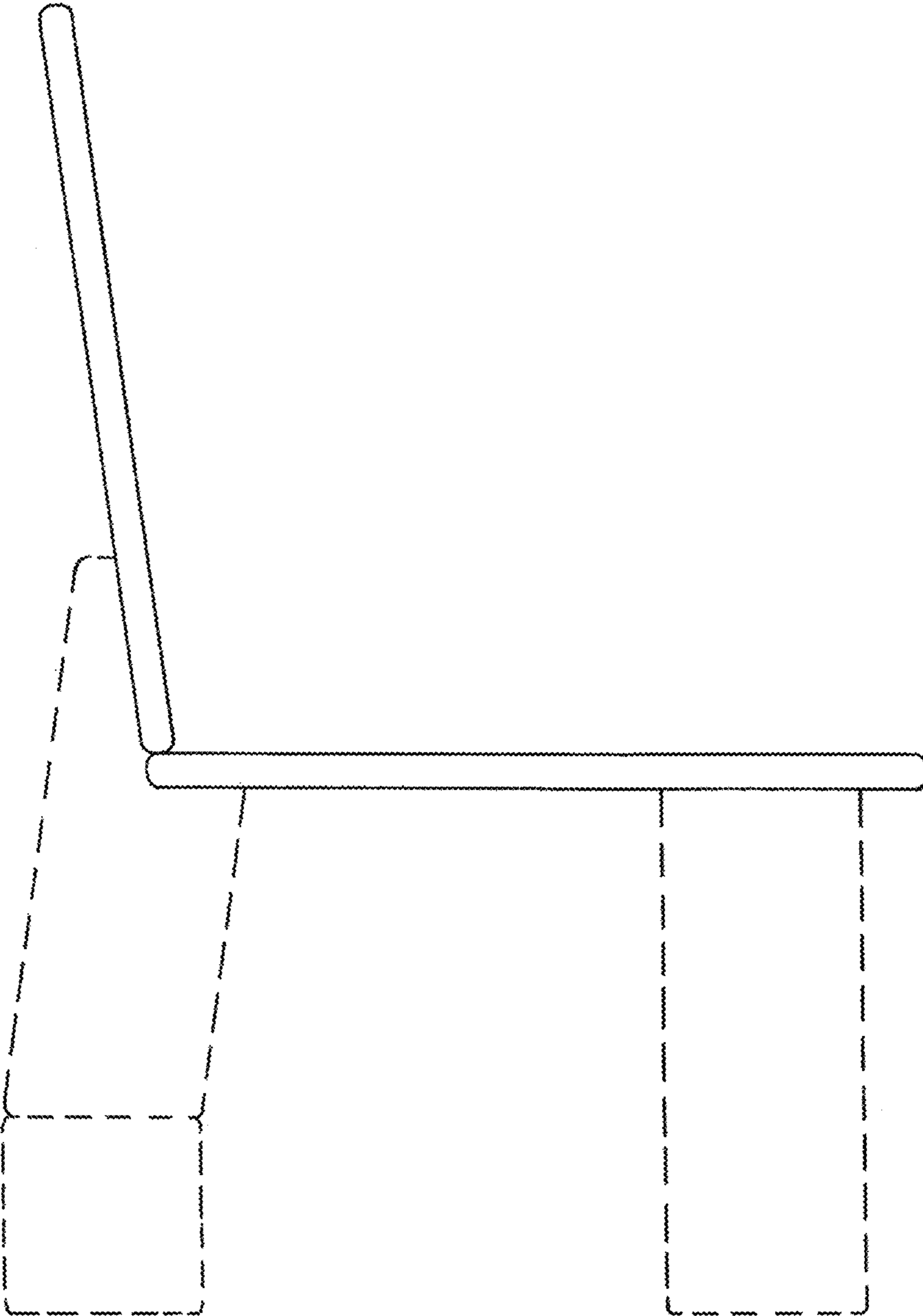


FIG. 5

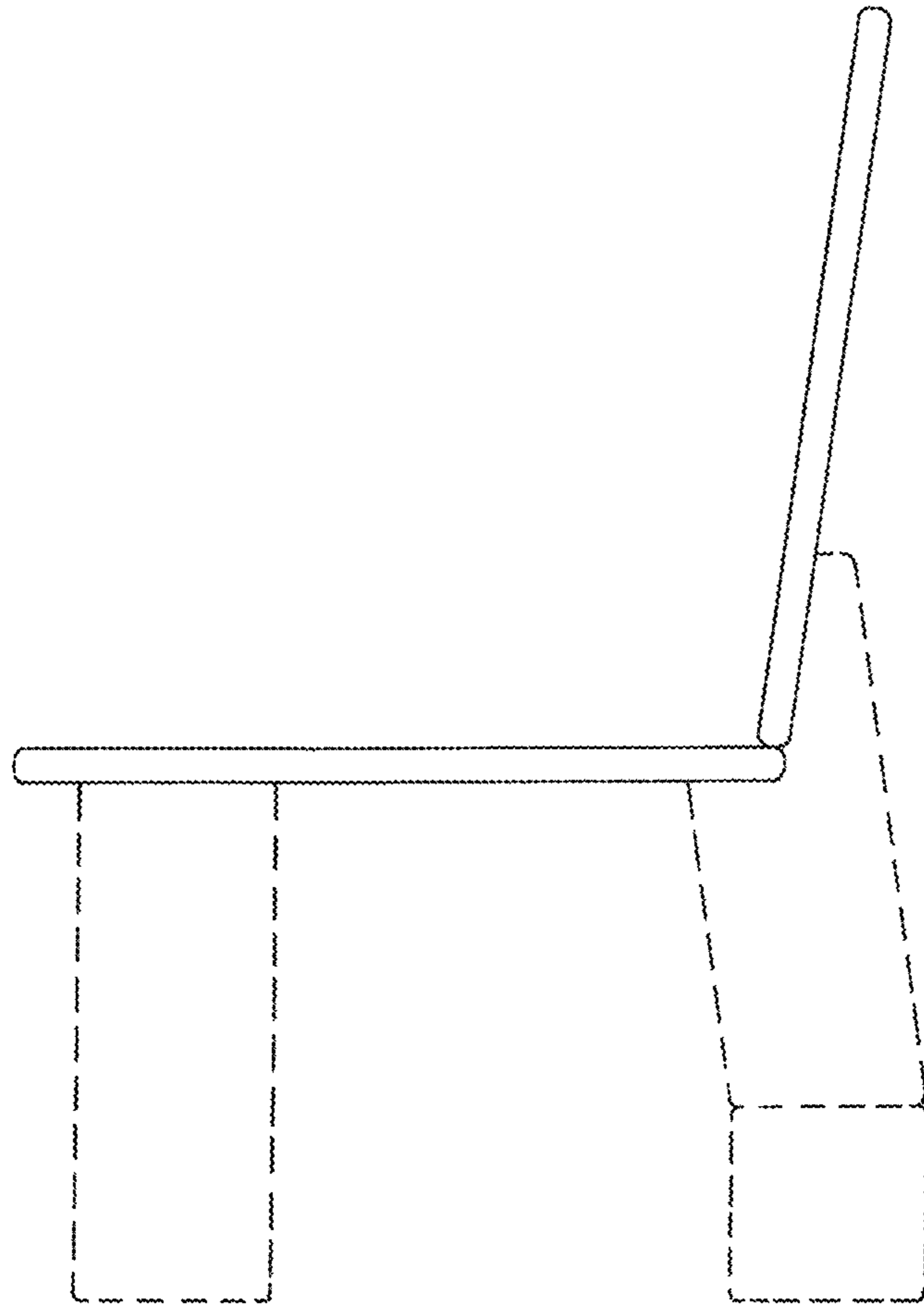


FIG. 6