



US00D807091S

(12) **United States Design Patent** (10) **Patent No.:** **US D807,091 S**  
**Morrison** (45) **Date of Patent:** **\*\* Jan. 9, 2018**

(54) **SEAT**  
(71) Applicant: **Emeco Industries, Inc.**, Hanover, PA (US)  
(72) Inventor: **Jasper Morrison**, London (GB)  
(73) Assignee: **Emeco Industries, Inc.**, Hanover, PA (US)  
(\*\*) Term: **15 Years**  
(21) Appl. No.: **29/589,230**  
(22) Filed: **Dec. 29, 2016**

D426,973 S 6/2000 Risdall  
D429,928 S \* 8/2000 Suzuki ..... D6/716.1  
D458,467 S 6/2002 Starck  
D460,282 S 7/2002 Starck  
D468,918 S \* 1/2003 de Blois ..... D6/360  
D469,173 S 1/2003 Kawanori et al.  
D494,375 S 8/2004 Starck  
D498,937 S \* 11/2004 Messier ..... D6/369  
D518,656 S 4/2006 Van Hooydonk et al.  
D541,068 S 4/2007 Foster  
D556,466 S 12/2007 Foster  
D559,001 S 1/2008 Starck

(Continued)

**OTHER PUBLICATIONS**

Unos Chair, designed by Jasper Morrison, manufactured by Andreu World, Spain, printout available online on Nov. 11, 2014, at <http://www.jaspermorrison.com/html/27491894.html>, 1-page, 2014.

(Continued)

*Primary Examiner* — Ian Simmons  
*Assistant Examiner* — Keith J Wilson  
(74) *Attorney, Agent, or Firm* — Heslin Rothenberg Farley & Mesiti P.C.

**Related U.S. Application Data**

(62) Division of application No. 29/510,831, filed on Dec. 3, 2014, now Pat. No. Des. 778,657.  
(51) **LOC (11) Cl.** ..... **06-01**  
(52) **U.S. Cl.**  
USPC ..... **D6/716; D6/375**  
(58) **Field of Classification Search**  
USPC ..... D6/356, 360, 366, 373, 375, 601, 716, D6/716.1; 297/239, 445.1, 446.1, 448.1, 297/452.12, 452.19  
CPC .... A47C 3/12; A47C 7/16; A47C 7/54; A47C 7/022; A47C 7/40  
See application file for complete search history.

(57) **CLAIM**

The ornamental design for a seat, as shown and described.

**DESCRIPTION**

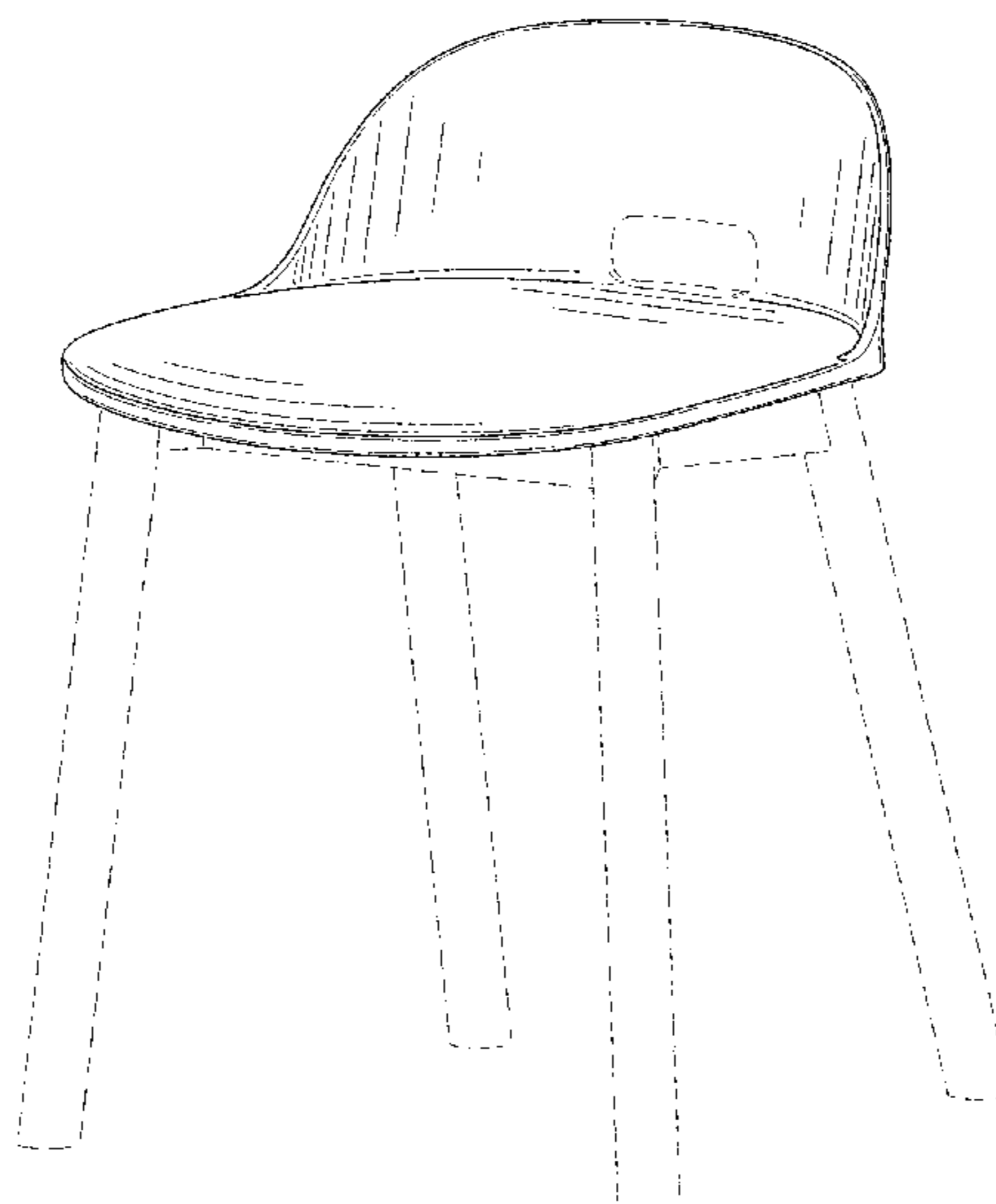
FIG. 1 is a perspective view of a seat in accordance with the new design;  
FIG. 2 is a front elevational view thereof;  
FIG. 3 is a right side elevational view thereof;  
FIG. 4 is a left side elevational view thereof;  
FIG. 5 is a rear elevational view thereof; and,  
FIG. 6 is a top view thereof.  
The broken lines in the figures are for illustration purposes only and form no part of the claimed invention.

**1 Claim, 6 Drawing Sheets**

(56) **References Cited**

**U.S. PATENT DOCUMENTS**

D171,210 S \* 12/1953 Jones ..... D6/356  
3,201,172 A 8/1965 Bliss  
3,393,941 A 7/1968 Grosfillex  
4,002,369 A 1/1977 Jennings  
D357,592 S \* 4/1995 Kellen ..... D6/360  
D360,551 S \* 7/1995 Nakata ..... D6/716.1  
D367,982 S \* 3/1996 Stirling ..... D6/366  
D400,721 S \* 11/1998 Baeriswyl ..... D6/360  
D423,805 S 5/2000 Olson



(56)

References Cited

U.S. PATENT DOCUMENTS

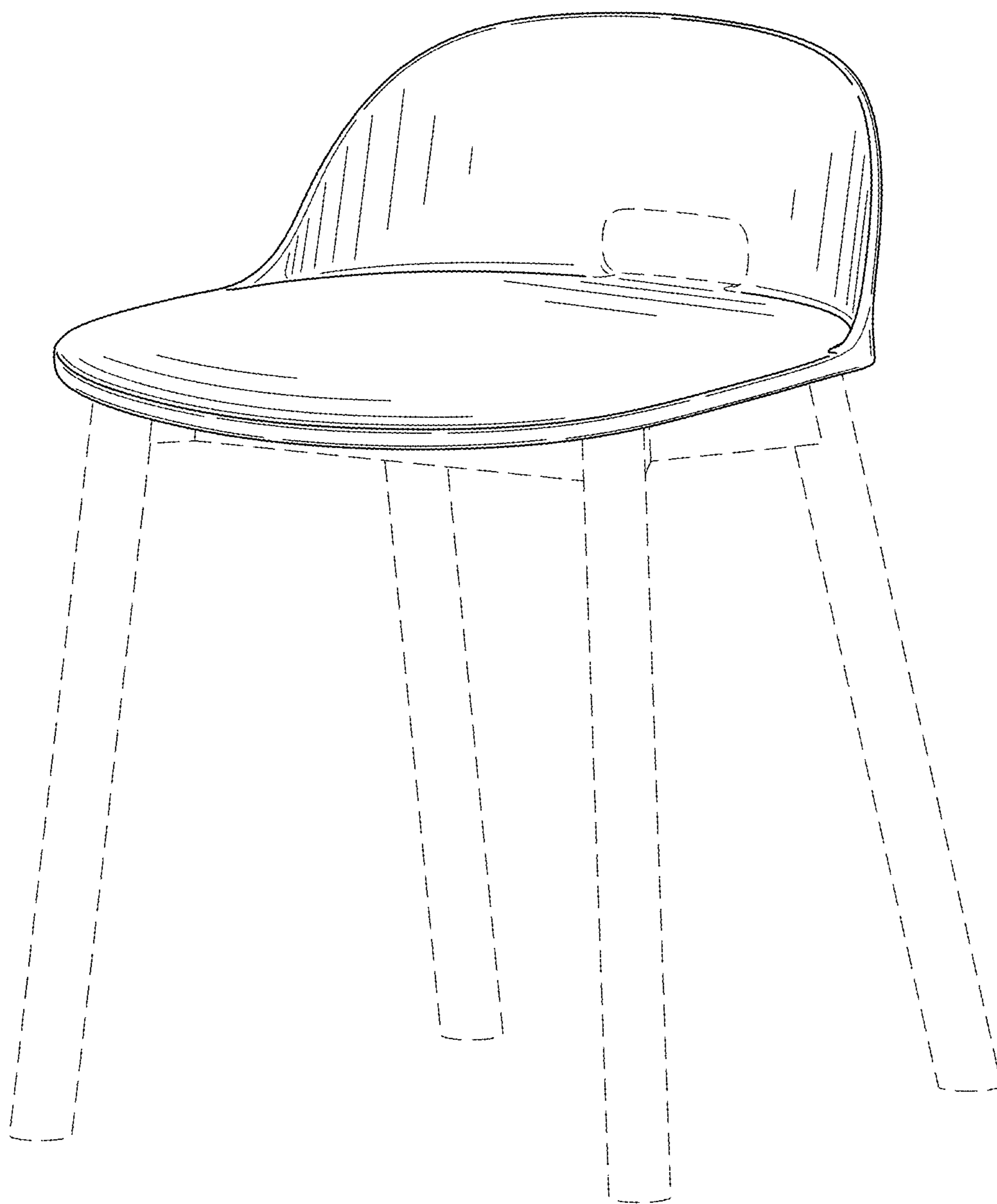
D562,019 S 2/2008 Lievore  
 D564,248 S 3/2008 Alter Molina et al.  
 D565,318 S \* 4/2008 Alter Molina ..... D6/375  
 D571,129 S 6/2008 Sottsass  
 D577,518 S 9/2008 Sottsass  
 D592,870 S \* 5/2009 Olano Jauregui ..... D6/360  
 D592,873 S 5/2009 Olano Jauregui  
 D611,740 S 3/2010 Koh  
 D621,631 S \* 8/2010 Li ..... D6/360  
 D647,320 S 10/2011 Young  
 D650,606 S 12/2011 Radice et al.  
 D663,132 S 7/2012 Morrison  
 D665,593 S 8/2012 Morrison  
 D666,015 S 8/2012 Morrison  
 D666,427 S 9/2012 Morrison  
 D666,428 S 9/2012 Morrison  
 D669,701 S 10/2012 Starck  
 D683,559 S 6/2013 Weber et al.  
 D686,838 S 7/2013 Grcic  
 D710,638 S \* 8/2014 Bellini ..... D6/716  
 D711,675 S 8/2014 Sato  
 D715,573 S \* 10/2014 Lloyd ..... D6/375  
 D726,433 S 4/2015 Starck  
 D727,077 S 4/2015 Ye  
 D729,538 S 5/2015 Kotilainen  
 D734,082 S \* 7/2015 Bosman ..... D6/716  
 D734,959 S \* 7/2015 Pong ..... D6/601  
 D742,129 S \* 11/2015 Mick ..... D6/360  
 D746,074 S \* 12/2015 Chipman ..... D6/360

D753,945 S 4/2016 Johnson et al.  
 D766,002 S \* 9/2016 Wu ..... D6/360  
 D778,657 S \* 2/2017 Morrison ..... D6/373  
 D799,227 S \* 10/2017 Martinez ..... D6/360

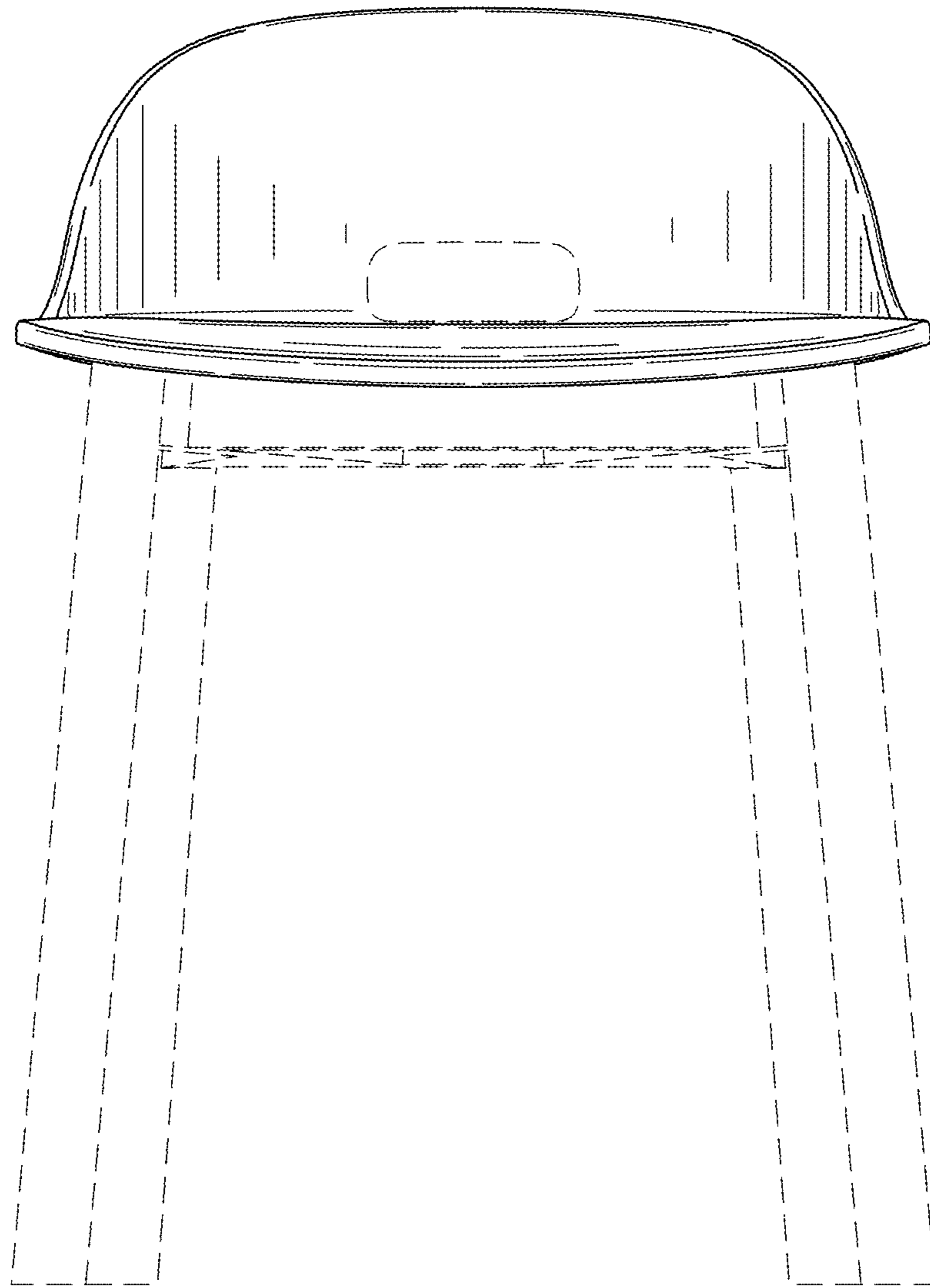
OTHER PUBLICATIONS

Hal Chair, designed by Jasper Morrison, manufactured by Vitra, Switzerland, printout available online Nov. 11, 2014, at <http://www.jaspermorrison.com/html/59257092.html>, 3 pages, 2011.  
 Air-Chair, designed by Jasper Morrison, manufactured by Magis, Italy, printout available online on Nov. 11, 2014, at <http://www.jaspermorrison.com/html/7226891.html>, 1-page, 2009.  
 Tate Chair, designed by Jasper Morrison, manufactured by Cappellini, Italy, printout available online Nov. 11, 2014, at <http://www.jaspermorrison.com/html/1228605.html>, 1-page, 2000.  
 Lac Chair, designed by Jasper Morrison, manufactured by Cappellini, Italy, printout available online on Nov. 11, 2014, at <http://www.jaspermorrison.com/html/2919510.html>, 1-page, 2004.  
 Jasper Morrison Chairs, printout available online on Nov. 11, 2014, at <http://www.jaspermorrison.com/html/9316679.html>, 35-pages, 1986-2014.  
 Land of Nod Kid's Chairs, available from Land of Nod at <http://www.landofnod.com>, printout available online at <http://www.landofnod.com/all-kids-chairs/kids-furniture/1>, 27-pages, at least as early as Nov. 11, 2014.  
 Jasper Morrison, Design U.S. Appl. No. 29/510,831, filed Dec. 3, 2014, entitled "Seat", 14 pages.

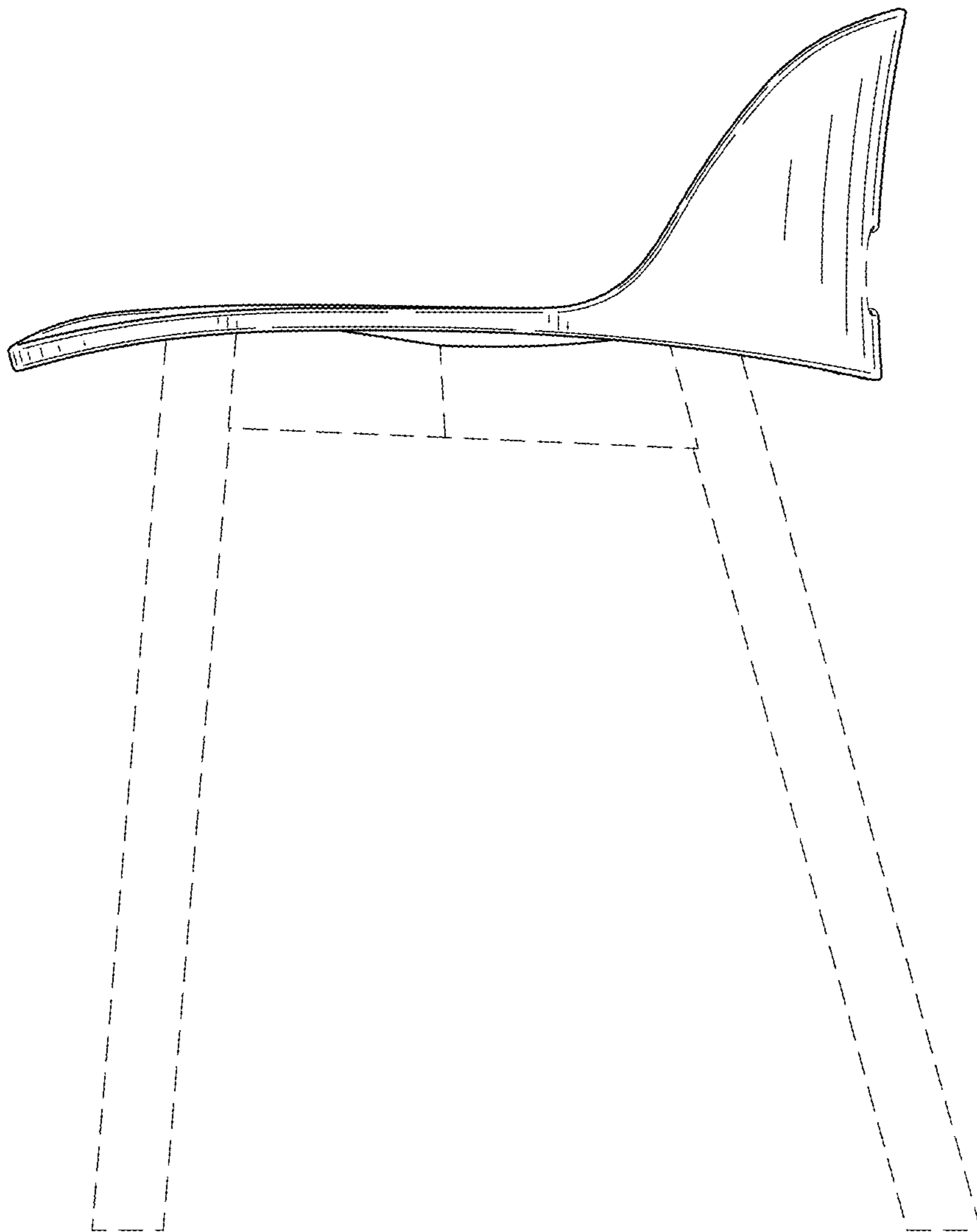
\* cited by examiner



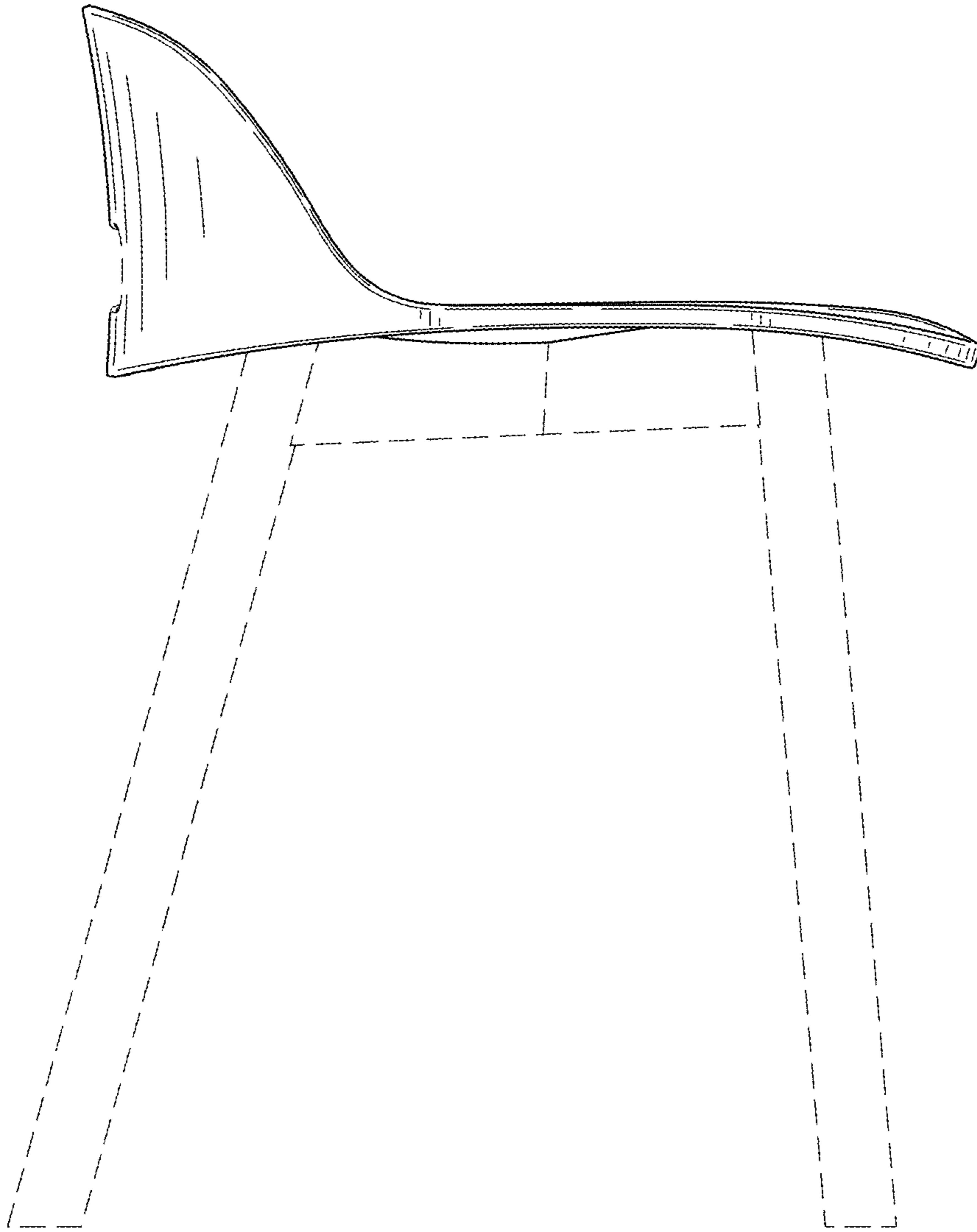
**FIG. 1**



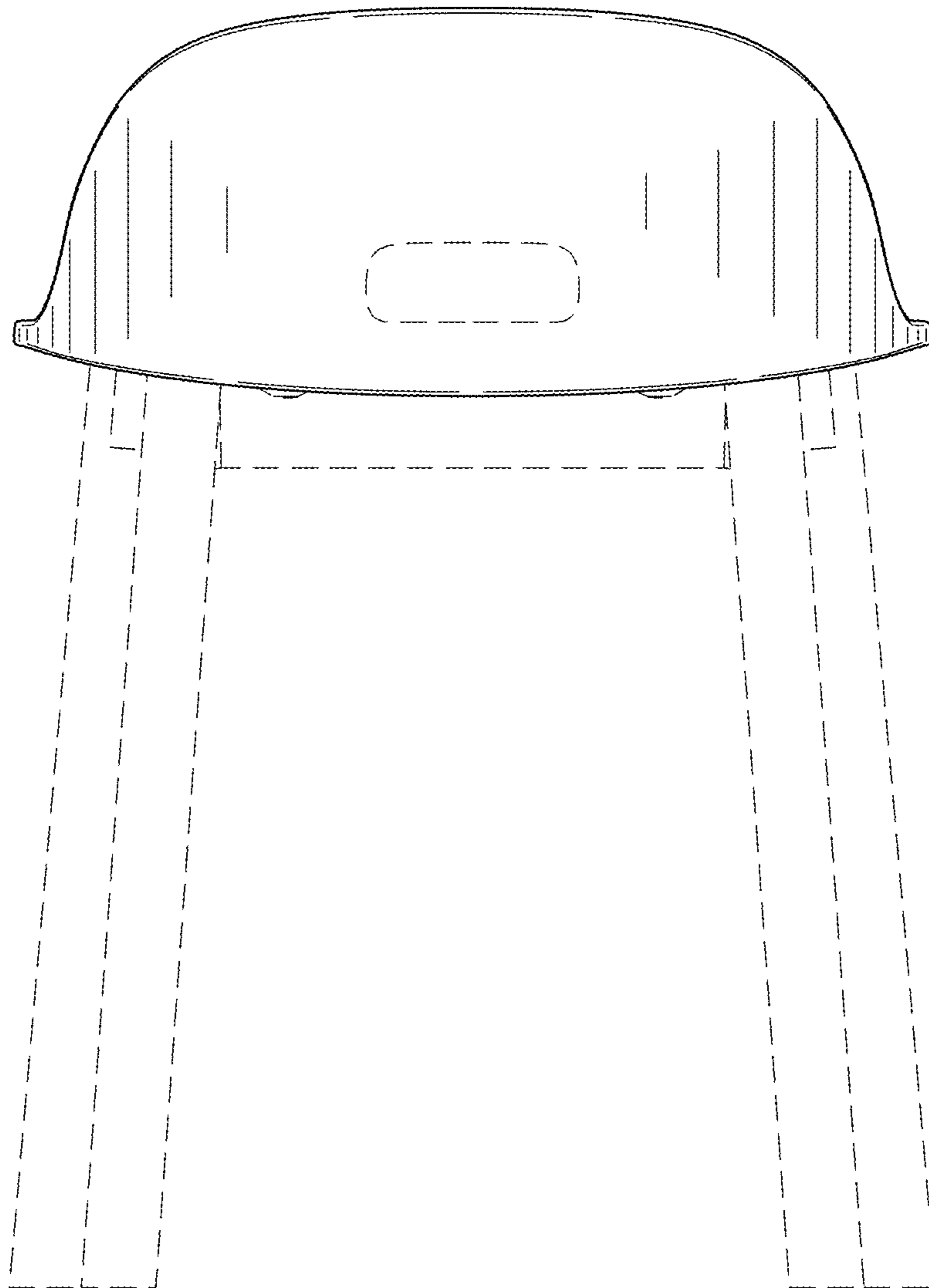
**FIG. 2**



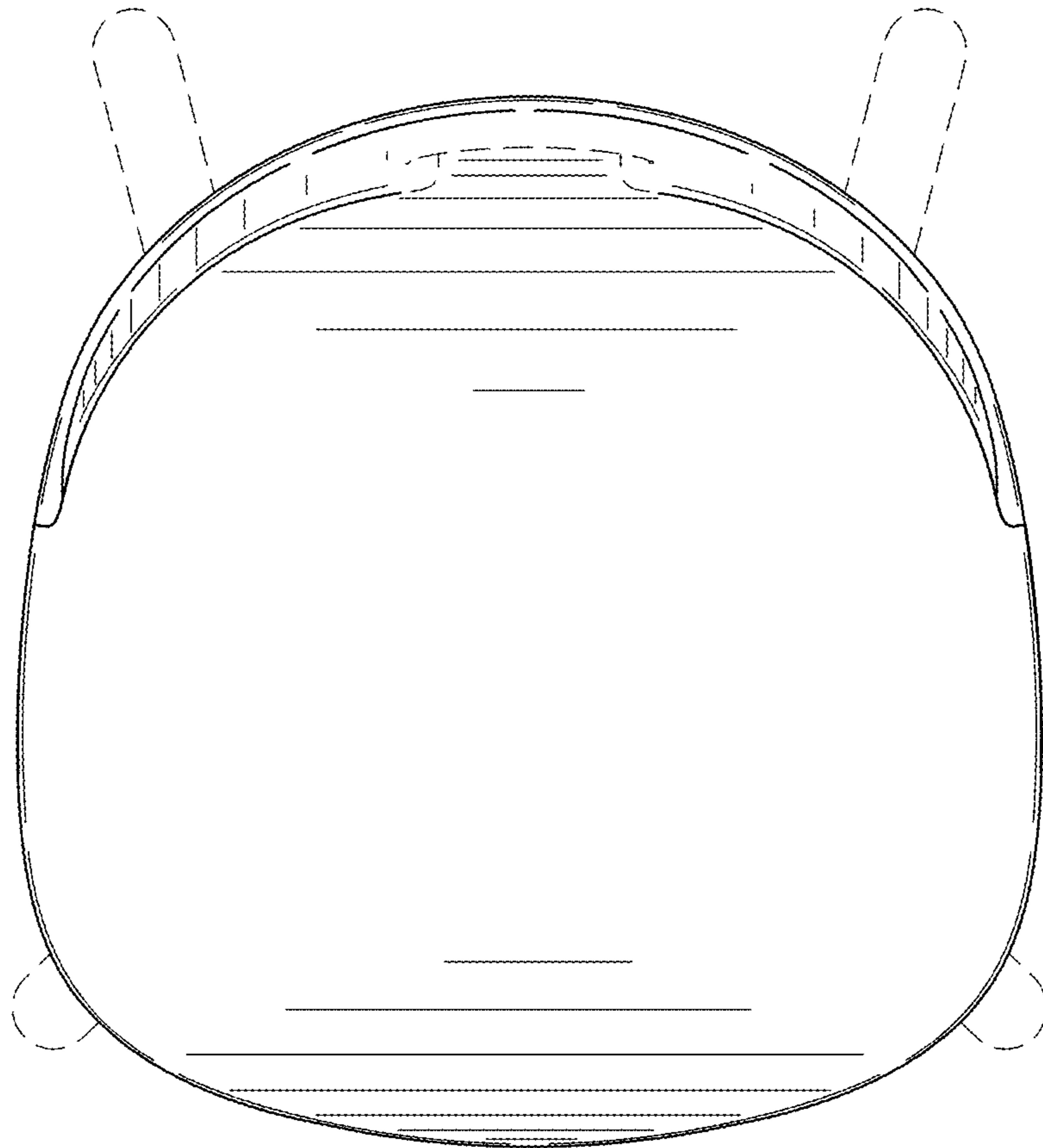
**FIG. 3**



**FIG. 4**



**FIG. 5**



**FIG. 6**