



US00D807090S

(12) **United States Design Patent**
Martell

(10) **Patent No.:** **US D807,090 S**
(45) **Date of Patent:** **** Jan. 9, 2018**

- (54) **PORTION OF A STACKABLE FURNISHING**
- (71) Applicant: **Target Brands, Inc.**, Minneapolis, MN (US)
- (72) Inventor: **Timothy J. Martell**, Brooklyn Park, MN (US)
- (73) Assignee: **Target Brands, Inc.**, Minneapolis, MN (US)
- (**) Term: **15 Years**
- (21) Appl. No.: **29/584,106**
- (22) Filed: **Nov. 11, 2016**
- (51) **LOC (11) Cl.** **06-01**
- (52) **U.S. Cl.**
USPC **D6/716; D6/370**
- (58) **Field of Classification Search**
USPC **D6/334-336, 368, 370, 374, 376, 379, D6/380, 716, 716.1, 716.3, 716.4**
See application file for complete search history.

- D341,262 S * 11/1993 Berlic D6/370
- D358,720 S * 5/1995 Tzeng D6/370
- D513,455 S * 1/2006 Risdon D6/370
- 8,047,607 B1 * 11/2011 Shokouhi A47C 3/04
297/239
- D718,550 S * 12/2014 Ye D6/370
- D734,970 S 7/2015 Mulholland et al.
- D752,891 S * 4/2016 Kubryk D6/370

* cited by examiner

Primary Examiner — Mimososa De

(74) *Attorney, Agent, or Firm* — Leanne Taveggia Farrell; Westman, Champlin & Koehler, P.A.

(57) **CLAIM**

The ornamental design for a portion of a stackable furnishing, as shown and described.

DESCRIPTION

FIG. 1 is a perspective view of a portion of a stackable furnishing showing our new design; FIG. 2 is a front view thereof; FIG. 3 is a rear view thereof; FIG. 4 is a left side view thereof; FIG. 5 is a right side view thereof; FIG. 6 is a top view thereof; and, FIG. 7 is a bottom view thereof.

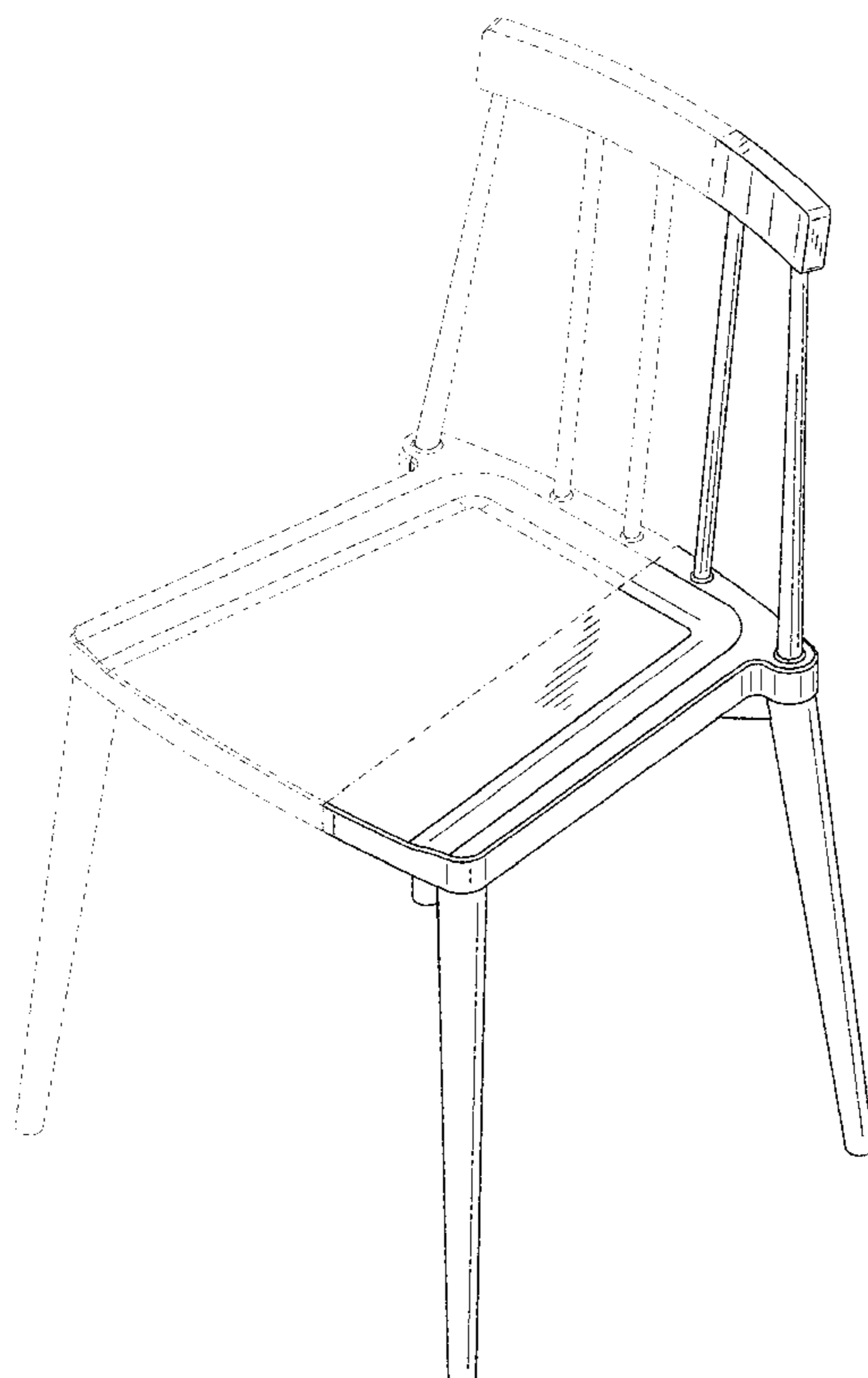
The dash-dash-dash broken lines shown in the drawings form no part of the claimed design. The dash-dot-dash broken lines shown in the drawings represent boundaries of the claim and form no part of the claimed design.

1 Claim, 7 Drawing Sheets

(56) **References Cited**

U.S. PATENT DOCUMENTS

- D25,897 S * 8/1896 Borick D6/374
- 2,669,295 A * 2/1954 Shepherdson A47C 4/02
297/440.21
- 3,271,076 A * 9/1966 Smith A47C 7/02
267/110
- D293,171 S * 12/1987 Lubke D6/370



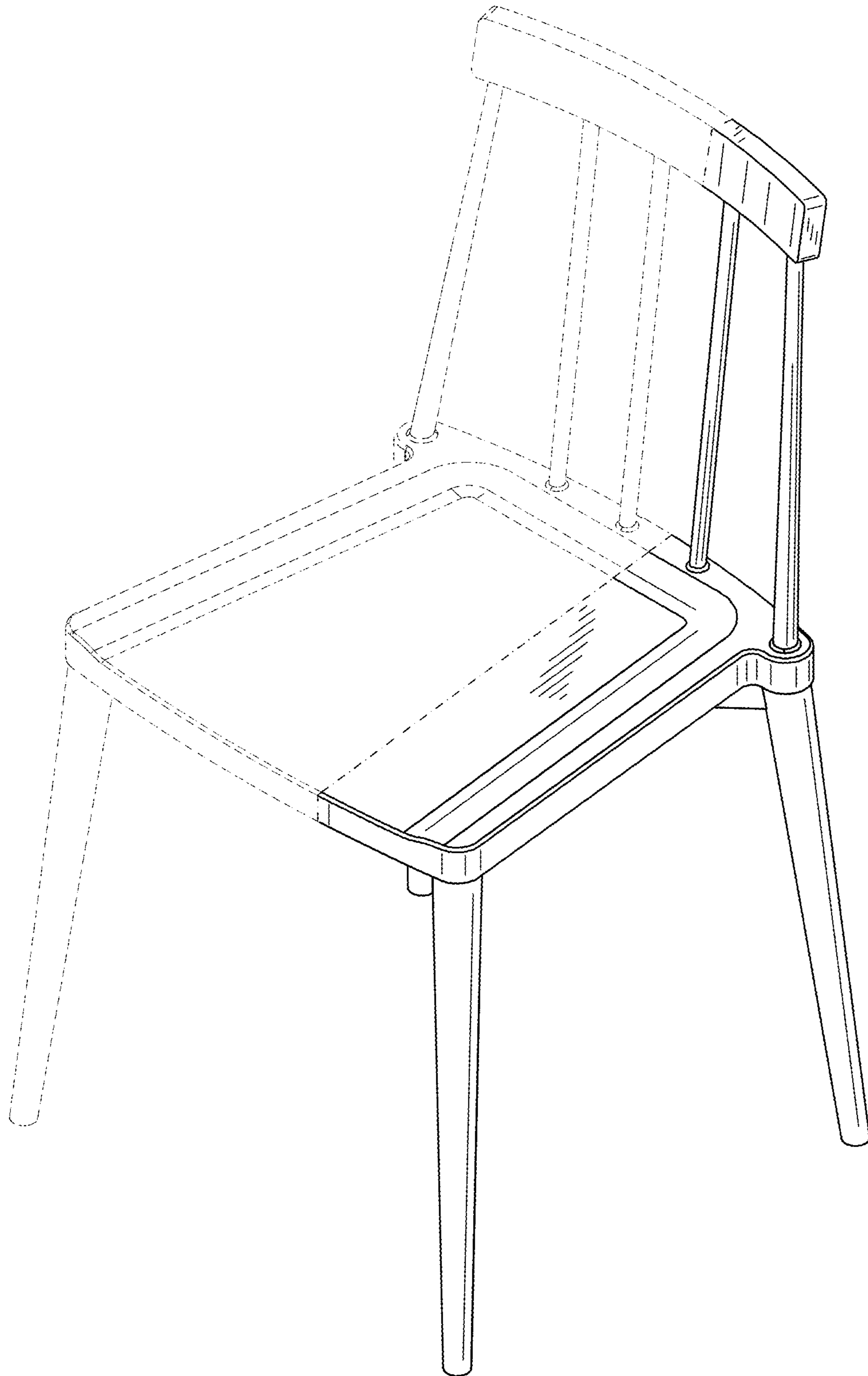


FIG. 1

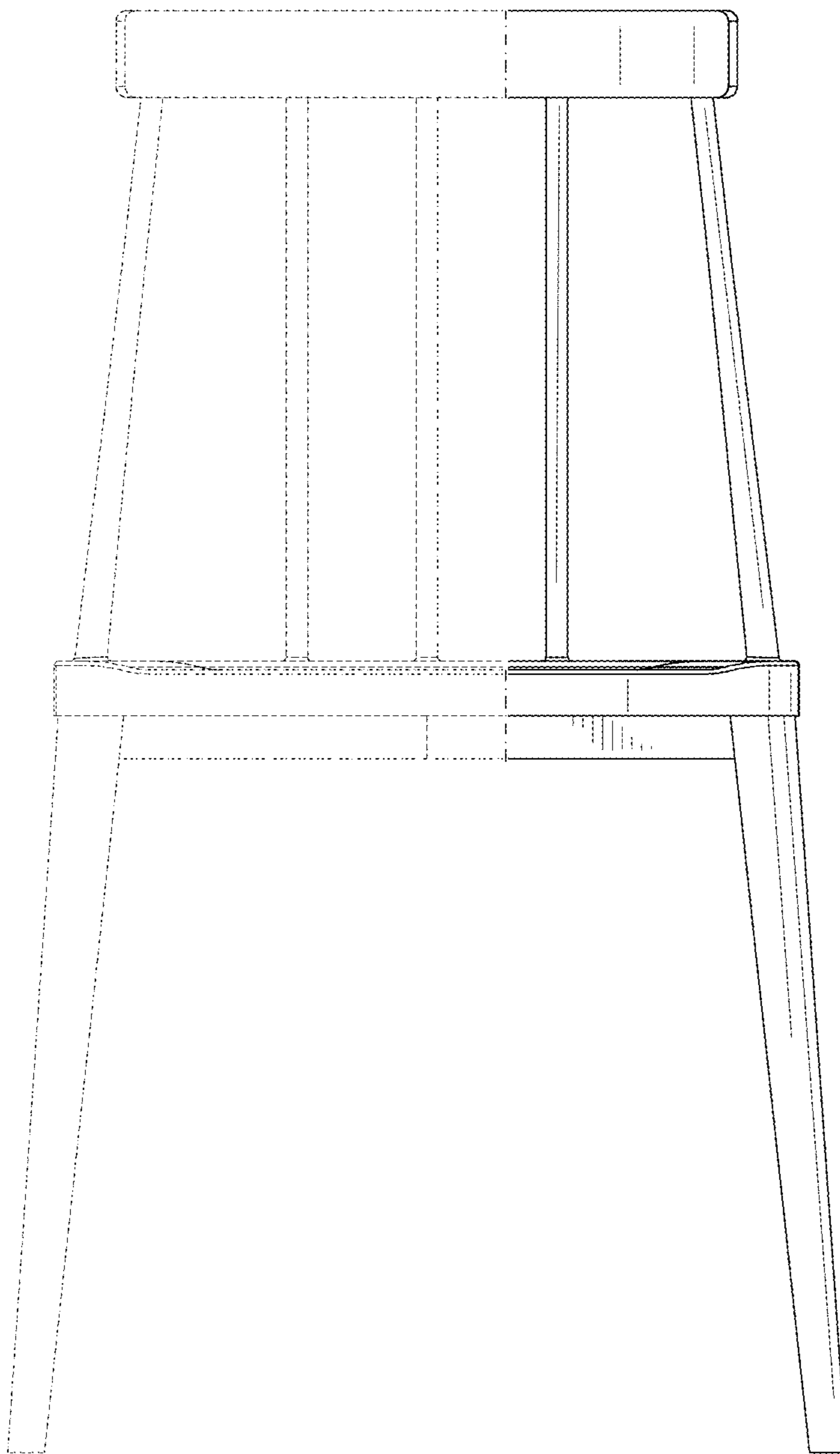


FIG. 2

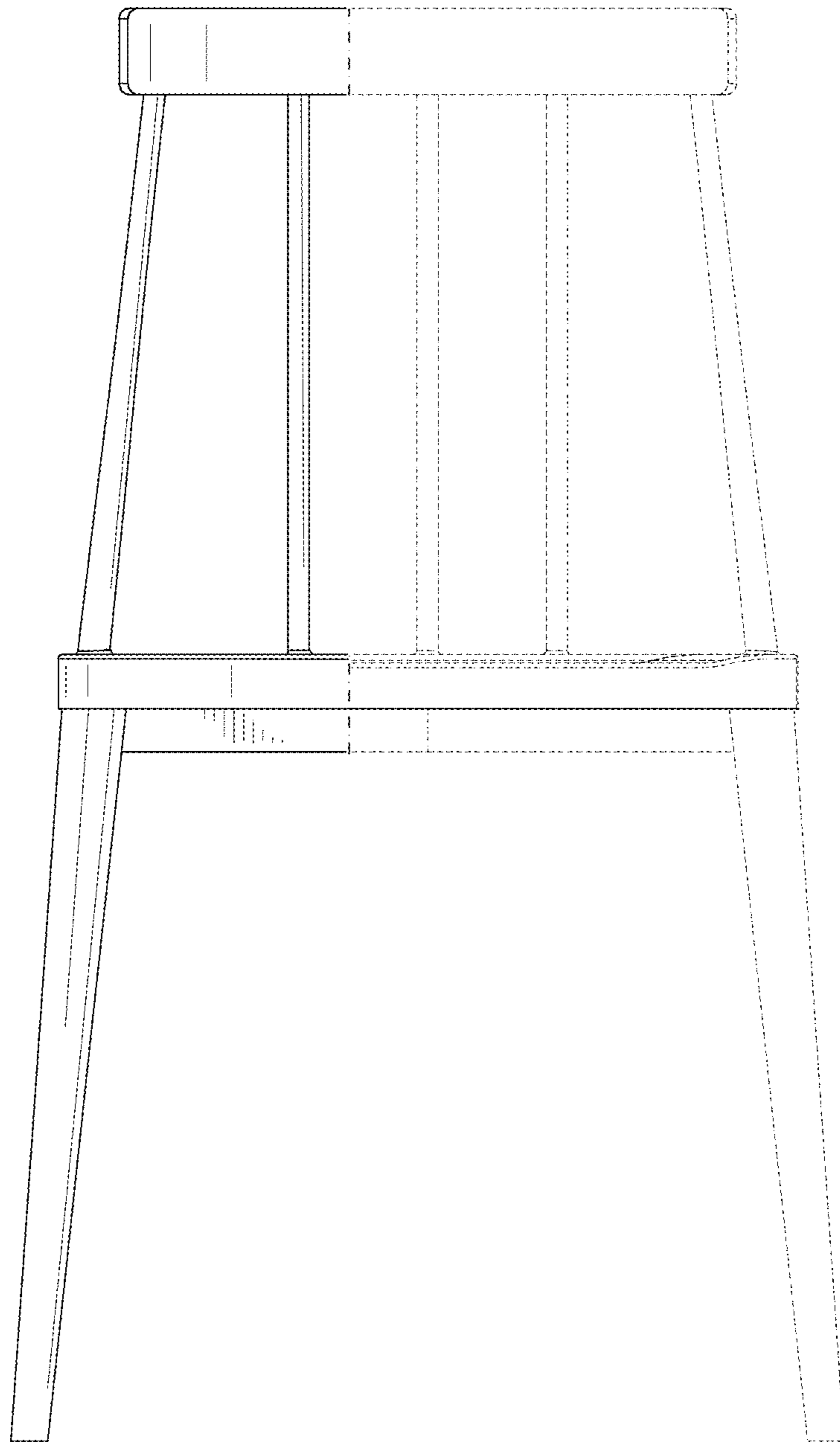


FIG. 3

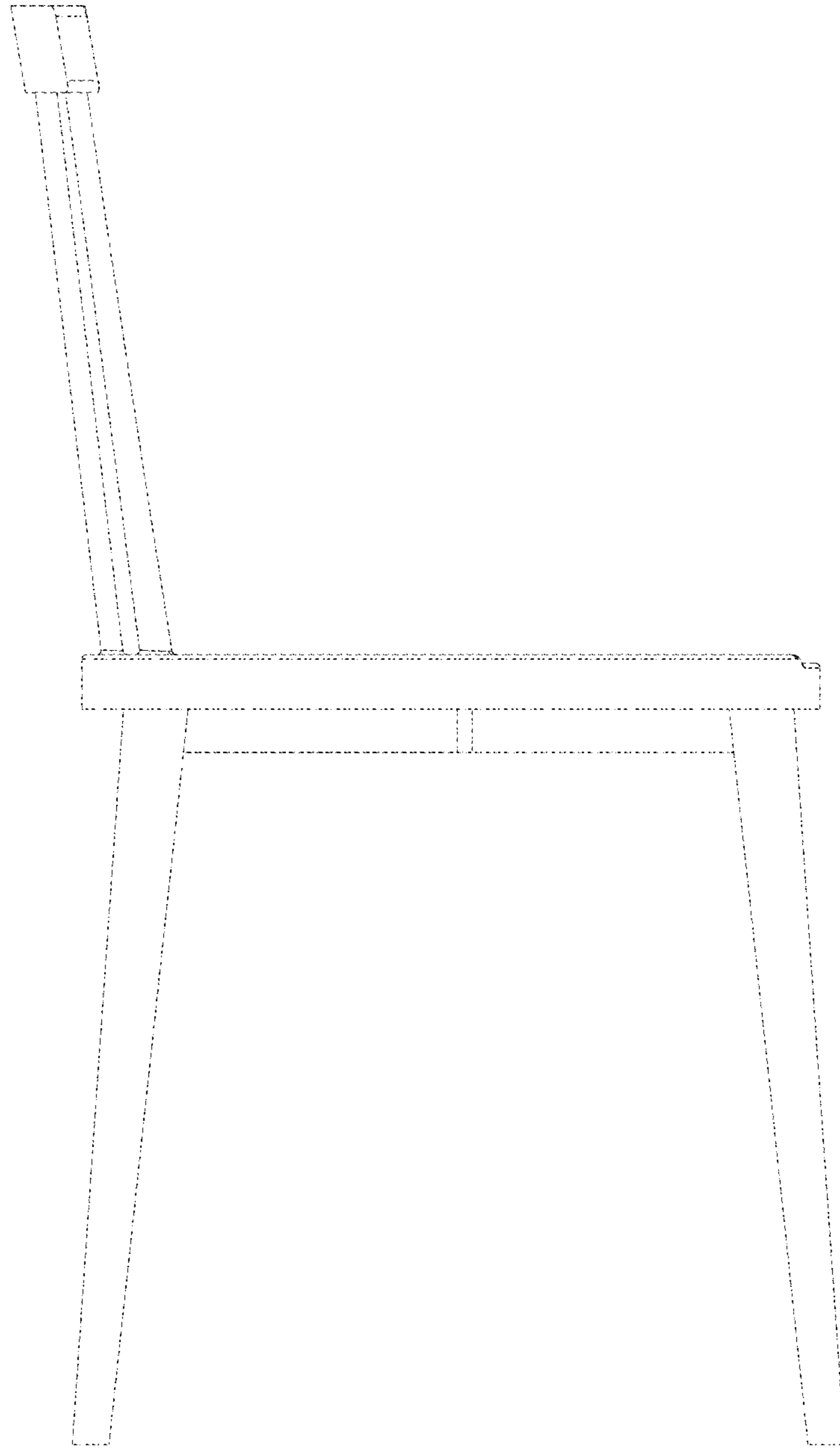


FIG. 4

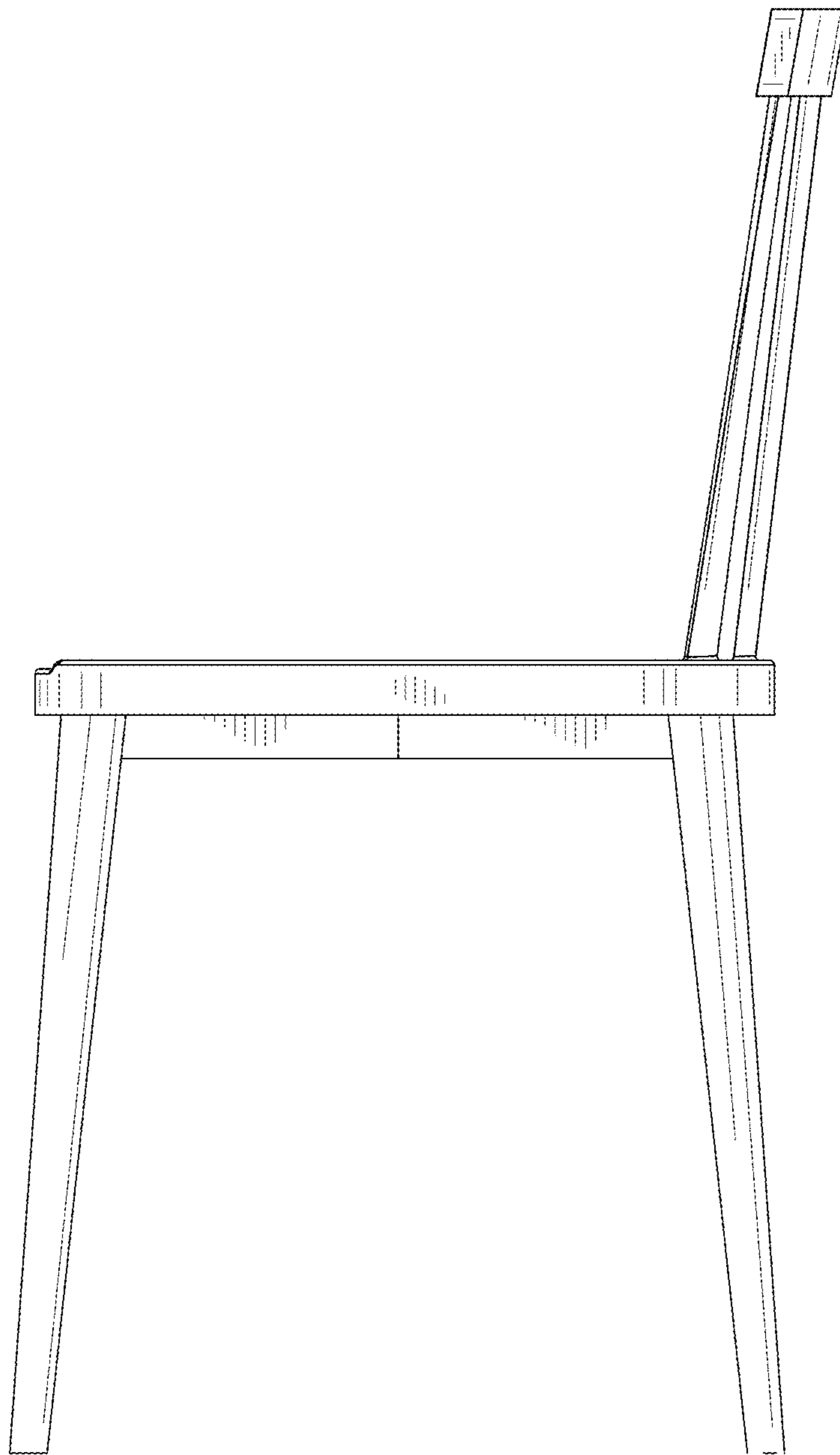


FIG. 5

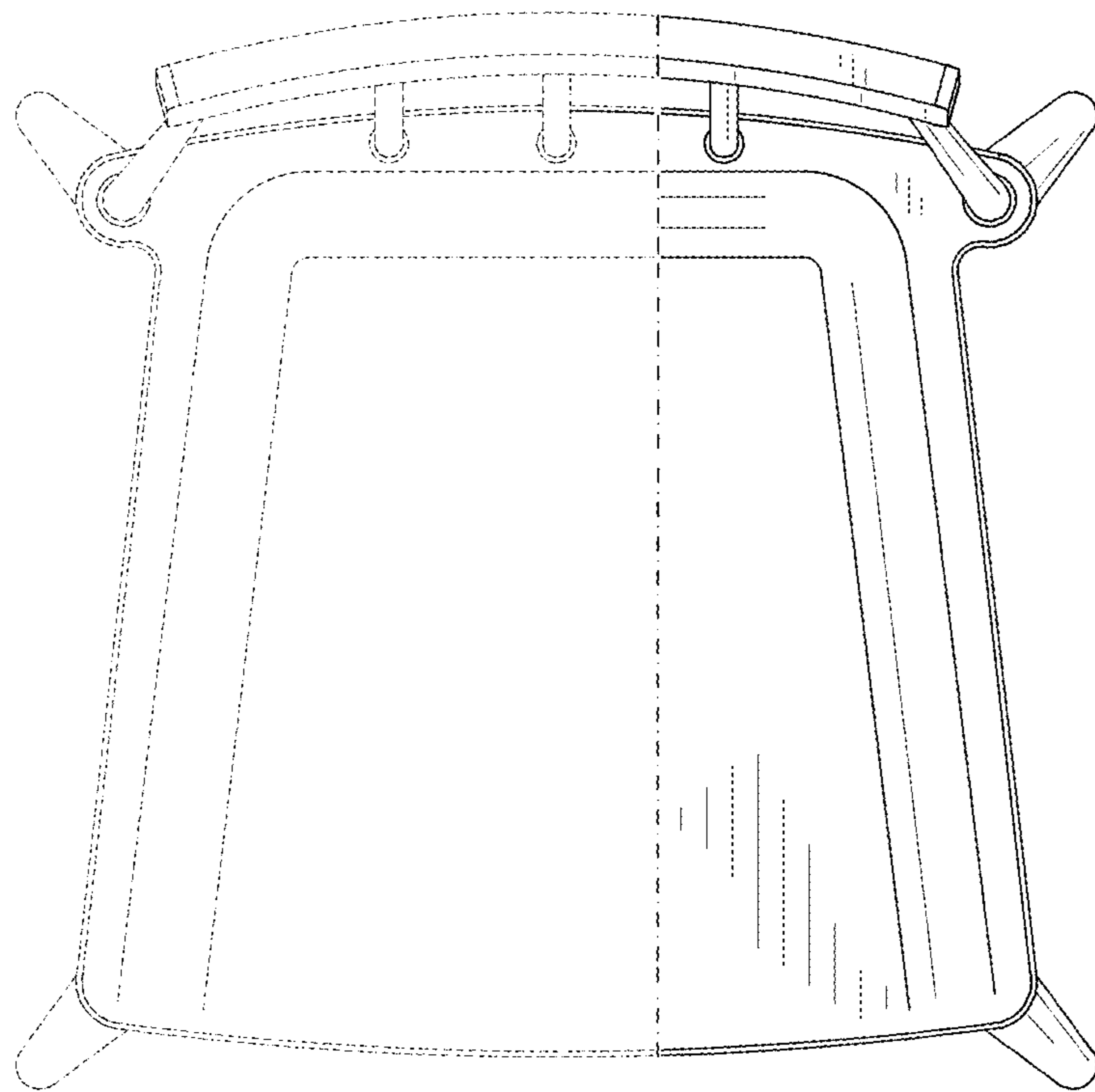


FIG. 6

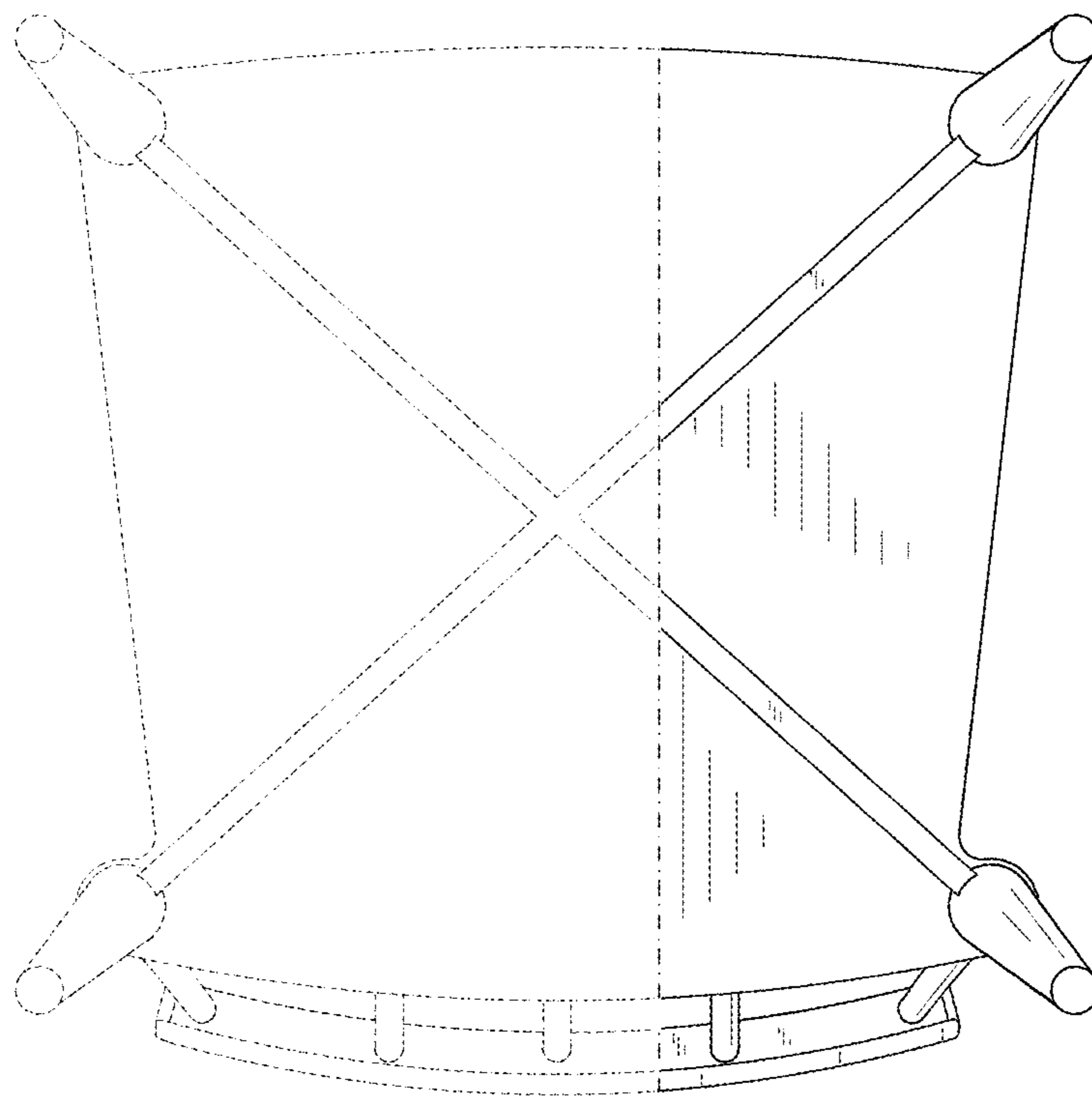


FIG. 7