



US00D807088S

(12) **United States Design Patent**
Juge et al.

(10) **Patent No.:** **US D807,088 S**
(45) **Date of Patent:** **** Jan. 9, 2018**

(54) **TABLE BASE**

(71) Applicants: **Anne Juge**, Metairie, LA (US); **Wesley deBuysser**, Metairie, LA (US); **Charles Jones**, New Orleans, LA (US)

(72) Inventors: **Anne Juge**, Metairie, LA (US); **Wesley deBuysser**, Metairie, LA (US); **Charles Jones**, New Orleans, LA (US)

(**) Term: **14 Years**

(21) Appl. No.: **29/506,417**

(22) Filed: **Oct. 15, 2014**

(51) **LOC (11) Cl.** **06-03**

(52) **U.S. Cl.**
USPC **D6/708.17**

(58) **Field of Classification Search**
USPC D6/707.1, 642, 655.2, 685, 691, 691.6, 691.7, 688.13, 691.1, 691.2, 707.19, 691.8, 691.9, 701, 707, 707.23, 641, 644, 656, 657, 656.19, 691.4, 691.5, 691.3, 650, 708.23, 708.24, 684, 708.14, 708.17, 708.21
CPC A47B 7/00; A47B 13/08; A47B 13/10; A47B 21/00; A47B 2009/006; A47B 11/00

See application file for complete search history.

(56) **References Cited**

U.S. PATENT DOCUMENTS

D236,926 S *	9/1975	Alexander	D6/691.5
D242,681 S *	12/1976	Thomas	D6/691
D271,923 S *	12/1983	Thompson	D6/691.1
D312,177 S *	11/1990	Walter	D6/332
D314,478 S *	2/1991	Kubryk	D6/688.11
D486,327 S *	2/2004	Schmitt	D6/688.14
D512,856 S *	12/2005	Peterson	D6/691.5
D531,430 S *	11/2006	Domack	D6/688.14
D543,734 S *	6/2007	Aubriot	D6/708.17
D552,384 S *	10/2007	Thompson	D6/708.17

D580,683 S *	11/2008	Thull	D6/691.4
D592,893 S *	5/2009	Schmitt	D6/688.14
D732,316 S *	6/2015	Matthai	D6/656.16
D751,599 S *	3/2016	Connolly	D14/488
D757,473 S *	5/2016	Thompson	D6/691.4

OTHER PUBLICATIONS

Athena Table [online]. CDI furniture, 2016 [retrieved on Jul. 29, 2016]. Retrieved from the Internet:< <https://www.cdifurniture.com/product/tables/athena-large-rectangular-dining-table-marble-slab-on-reclaimed-wood-w-black-fini.html>>.*

Townsend Dining Table [online]. ZGallerie, 2016 [retrieved on Jul. 29, 2016]. Retrieved from the Internet:< http://www.zgallerie.com/p-16775-townsend-dining-table.aspx?gclid=CjwKEAjwrIa9BRD5_dvqqazMrFESJACdv27GohFkXbJY9b2ax02I6p3seTjB012PWKOXm_zORcNj6RoCmFbw_wcB>.*

* cited by examiner

Primary Examiner — Mary Ann Calabrese

Assistant Examiner — Sloan Rozin

(74) *Attorney, Agent, or Firm* — Garvey, Smith & Nehrbass, Patent Attorneys, L.L.C.; Seth M. Nehrbass; Julie Rabalais Chauvin

(57) **CLAIM**

The ornamental table base, as shown and described.

DESCRIPTION

FIG. 1 is a front perspective view showing our ornamental design of a table base;

FIG. 2 is a front view thereof;

FIG. 3 is a rear view thereof;

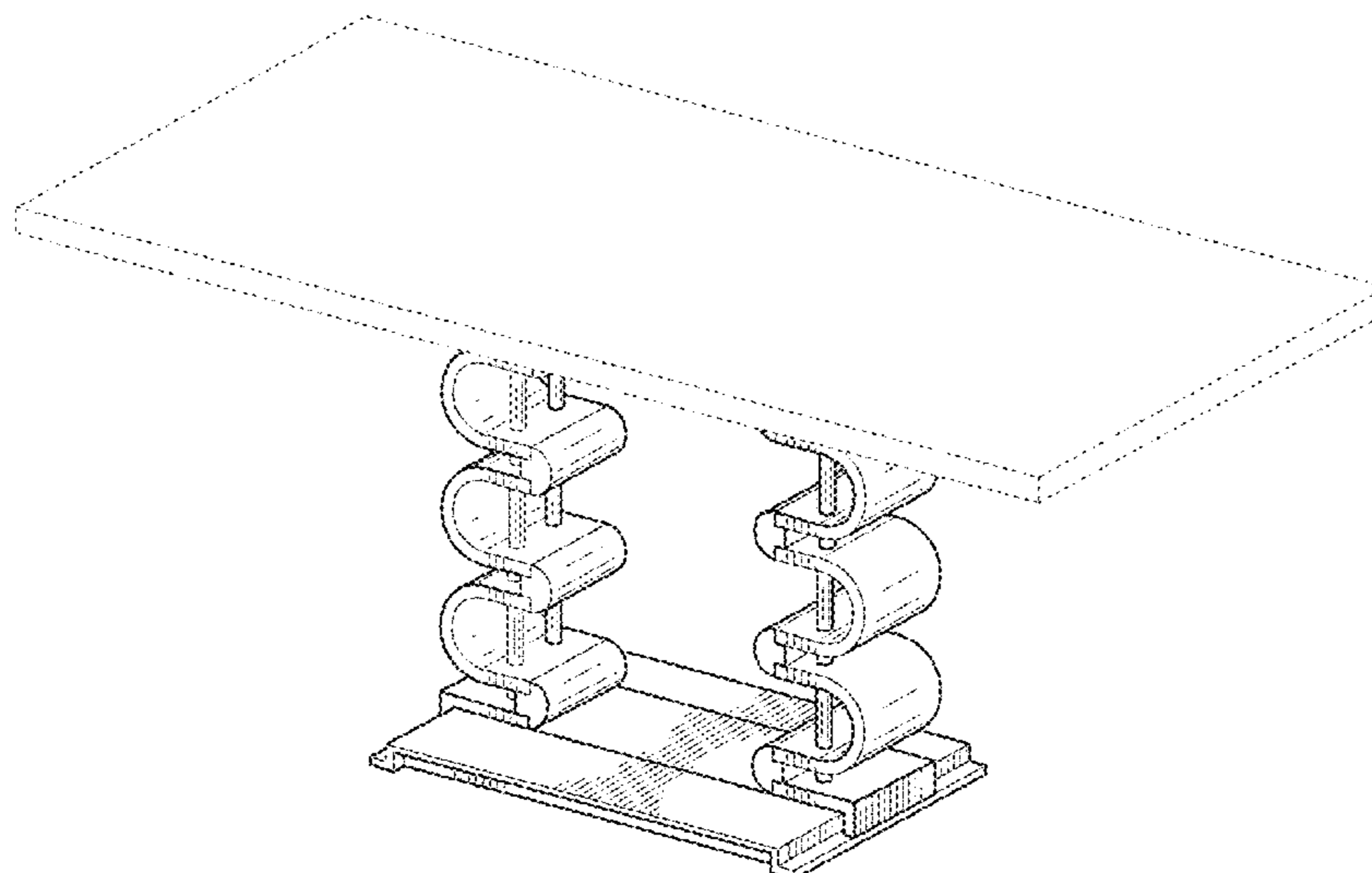
FIG. 4 is a left end view thereof;

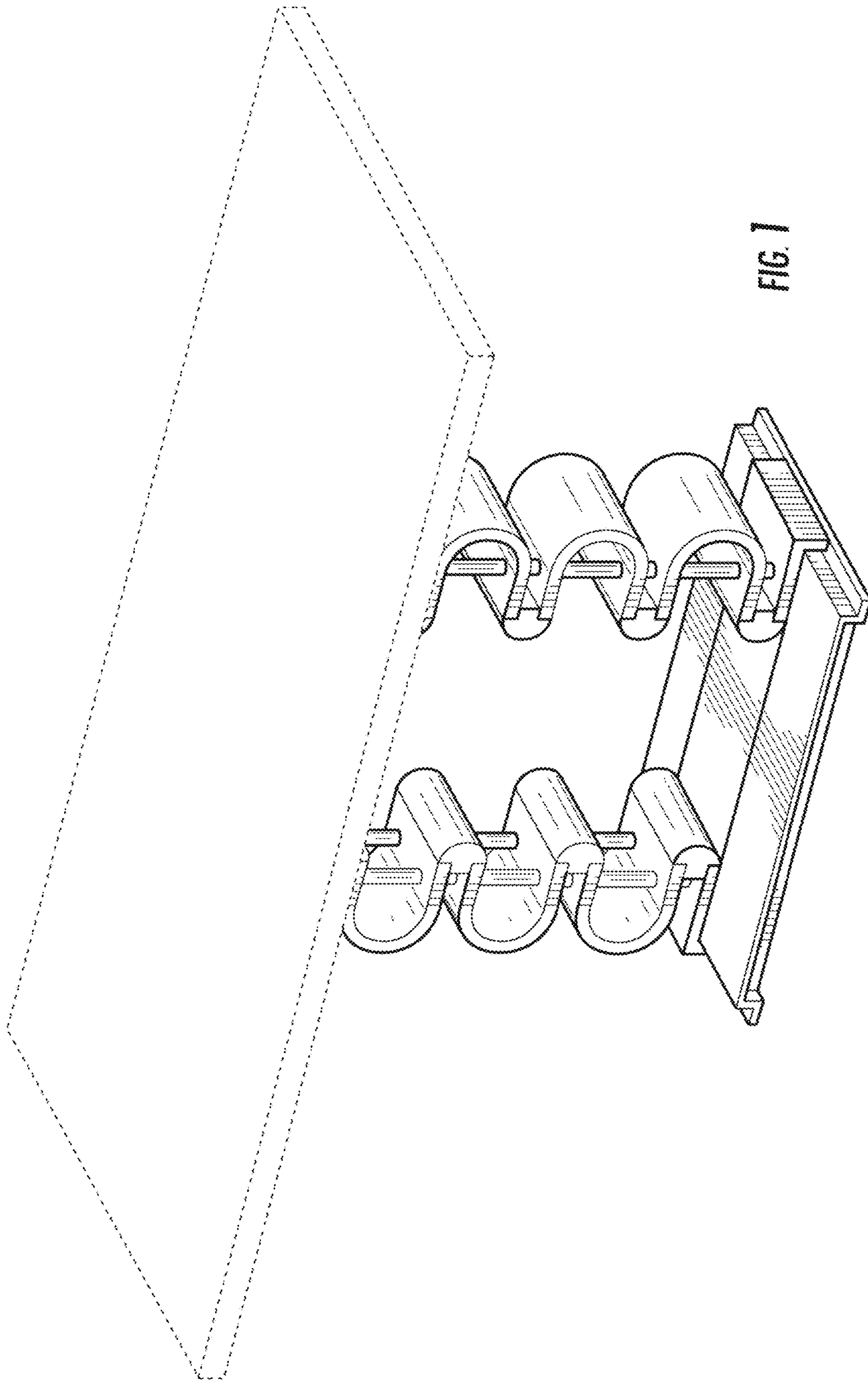
FIG. 5 is a right end view thereof; and,

FIG. 6 is a bottom view thereof.

The broken line showing of the nuts is for the purpose of illustrating environment and forms no part of the claimed design.

1 Claim, 6 Drawing Sheets





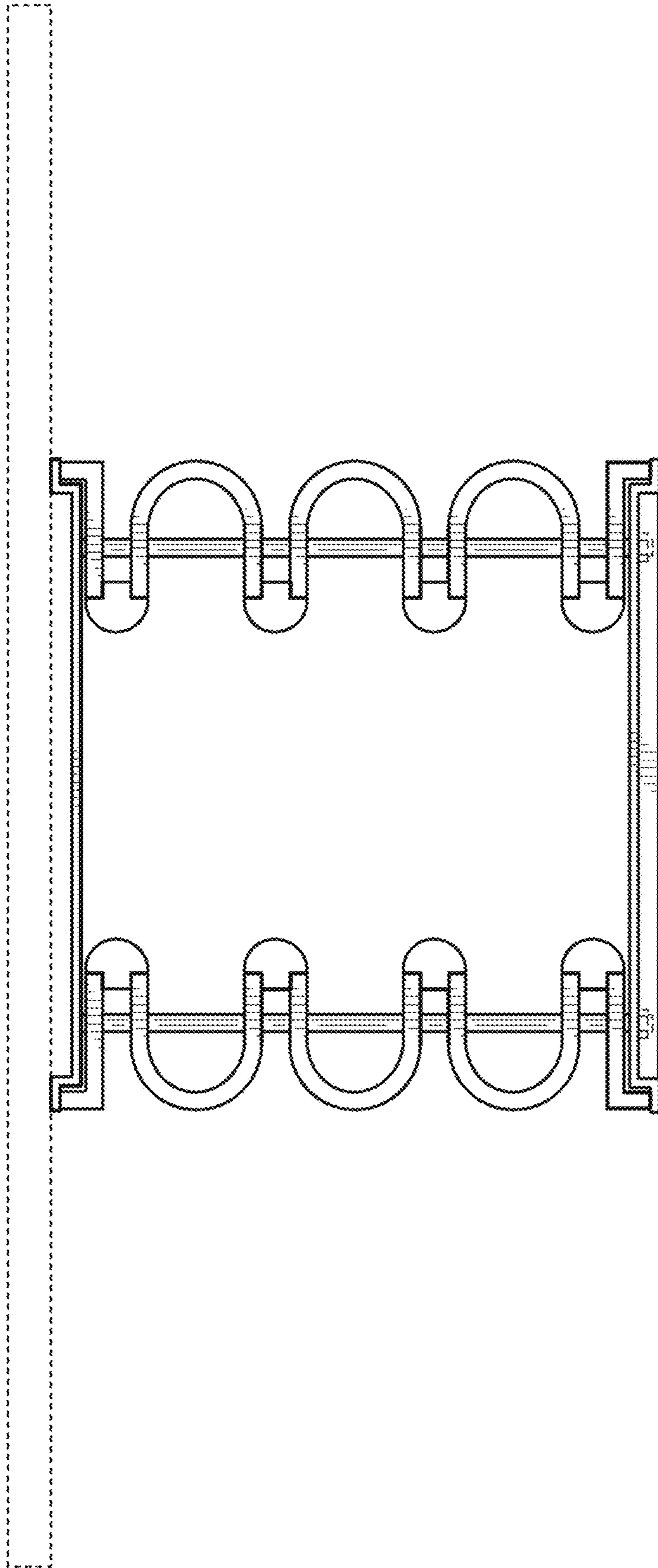


FIG. 2

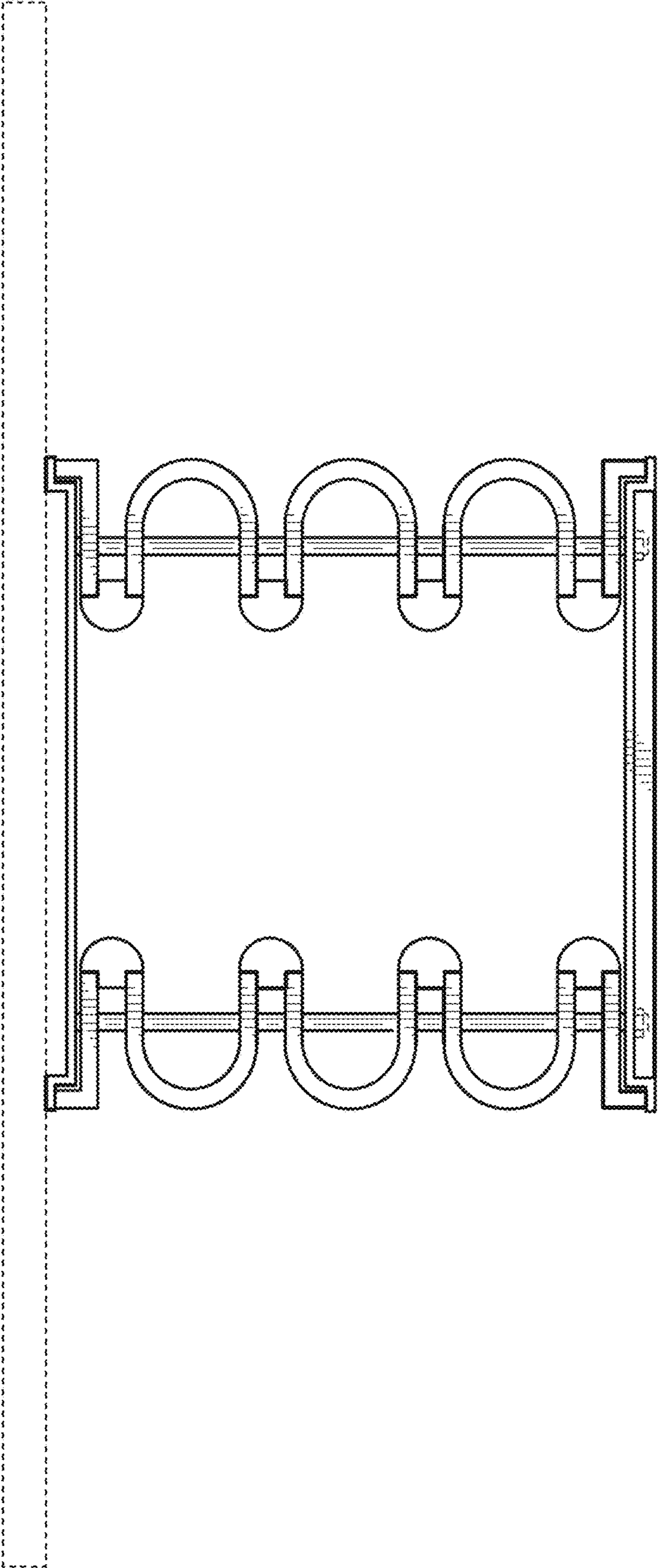


FIG. 3

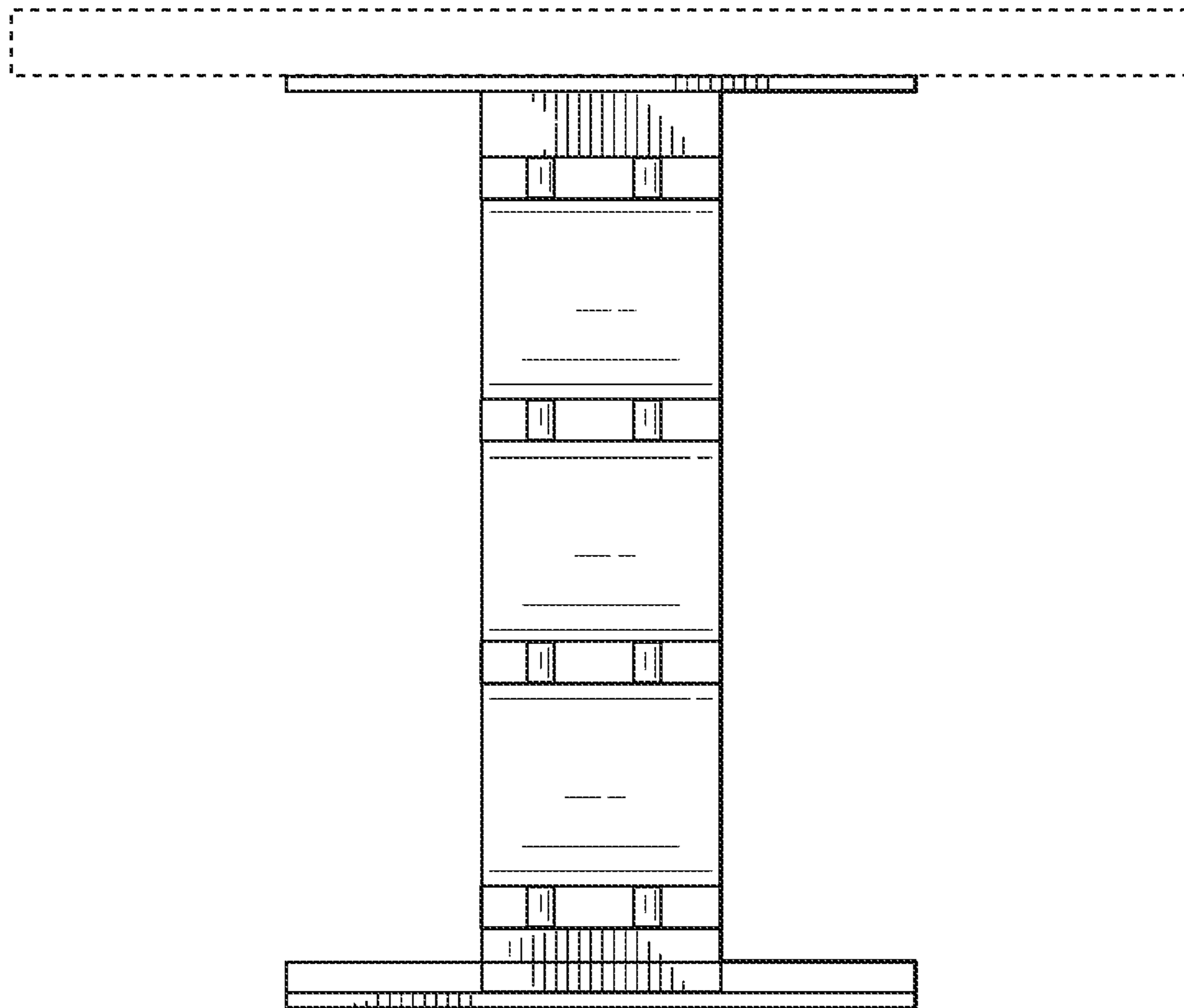


FIG. 4

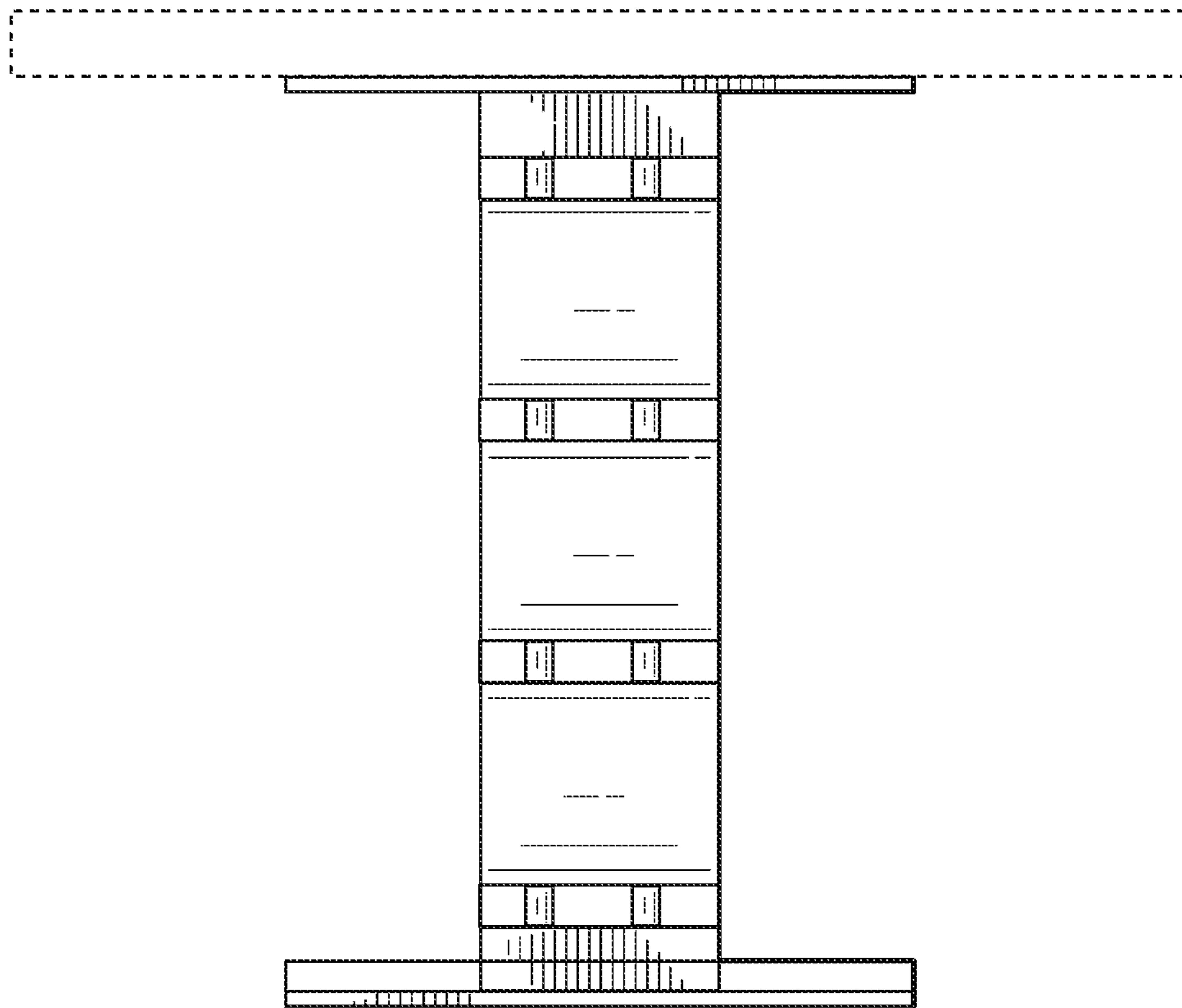


FIG. 5

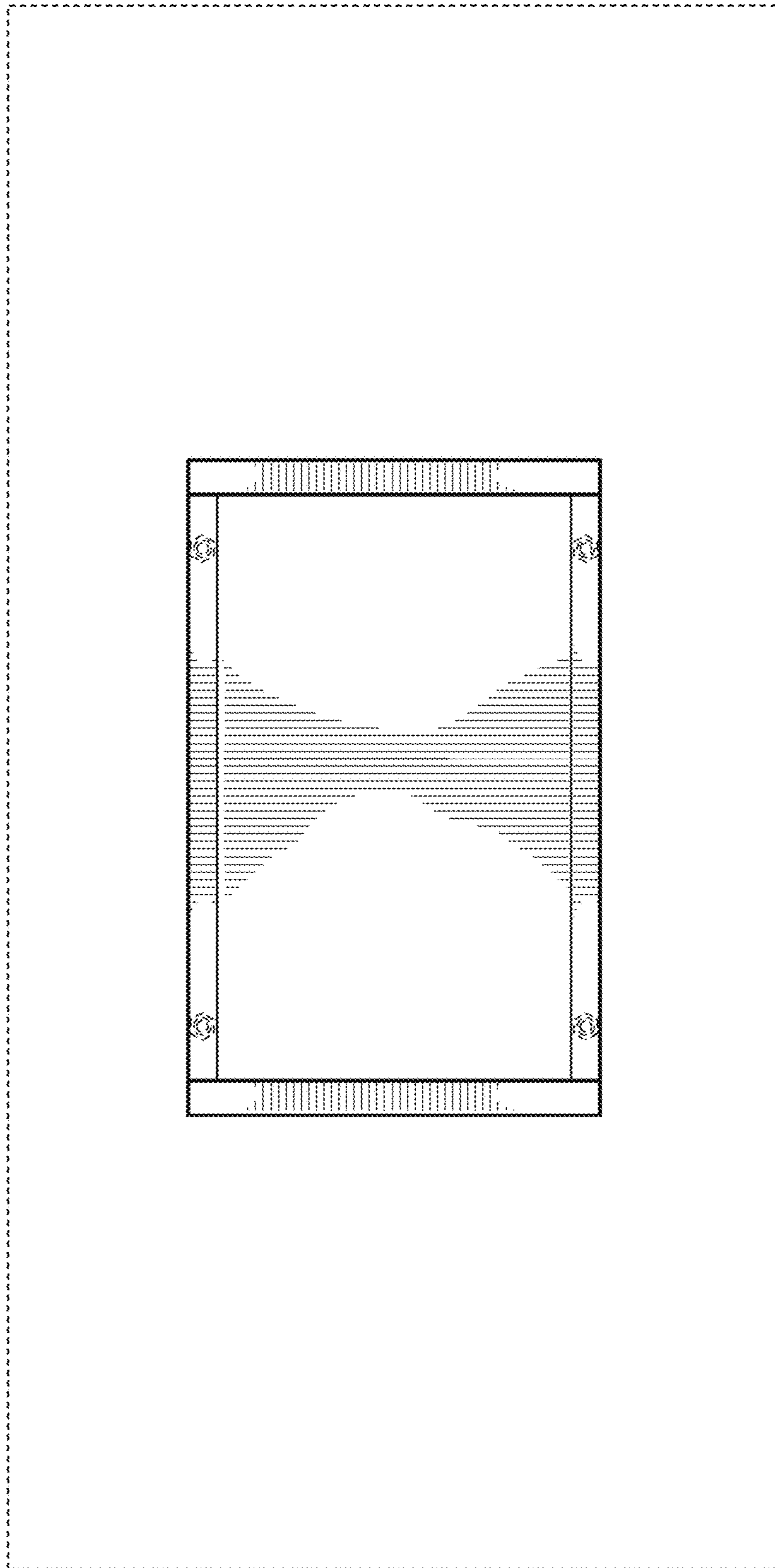


FIG. 6