



US00D807087S

(12) **United States Design Patent**
Keegan

(10) **Patent No.:** **US D807,087 S**
(45) **Date of Patent:** **** Jan. 9, 2018**

(54) **BEHIND-THE-DOOR FOLDING WALL SHELF**

D785,975 S * 5/2017 Thaler D6/673
D799,245 S * 10/2017 Bezborodko D6/663
2016/0015176 A1* 1/2016 Cano A47B 57/404
248/213.2

(71) Applicant: **Ann M. Keegan**, San Diego, CA (US)

* cited by examiner

(72) Inventor: **Ann M. Keegan**, San Diego, CA (US)

Primary Examiner — Kelley Donnelly

(**) Term: **15 Years**

(74) *Attorney, Agent, or Firm* — Richard D. Clarke

(21) Appl. No.: **29/595,017**

(57) **CLAIM**

(22) Filed: **Feb. 24, 2017**

I claim the ornamental design for a behind-the-door folding wall shelf, as shown and described.

(51) **LOC (11) Cl.** **06-06**

DESCRIPTION

(52) **U.S. Cl.**
USPC **D6/675.1**

(58) **Field of Classification Search**
USPC D6/449–450, 470–472, 474–476,
D6/477–479, 490–491, 509–511,
D6/675–675.2; 108/91, 107–108
CPC A47F 1/00; A47F 5/0018; A47B 43/00;
A47B 96/02

See application file for complete search history.

FIG. 1 is a front, top, and right side elevation perspective view of the behind-the-door folding wall shelf, shown mounted in place behind a door;

FIG. 2 is a front, top, and right side elevation perspective view of the behind-the-door folding wall shelf, shown folded with the shelves exposed;

FIG. 3 is a front, top, and right side elevation perspective view of the behind-the-door folding wall shelf, shown folded with the outer walls exposed;

FIG. 4 is a side elevation view of the behind-the-door folding wall shelf;

FIG. 5 is a front view of the behind-the-door folding wall shelf;

FIG. 6 is a top view of the behind-the-door folding wall shelf;

FIG. 7 is a side elevation view of the behind-the-door folding wall shelf showing the opposite side shown in FIG. 4;

FIG. 8 is a rear view of the behind-the-door folding wall shelf; and,

FIG. 9 is a bottom view of the behind-the-door folding wall shelf.

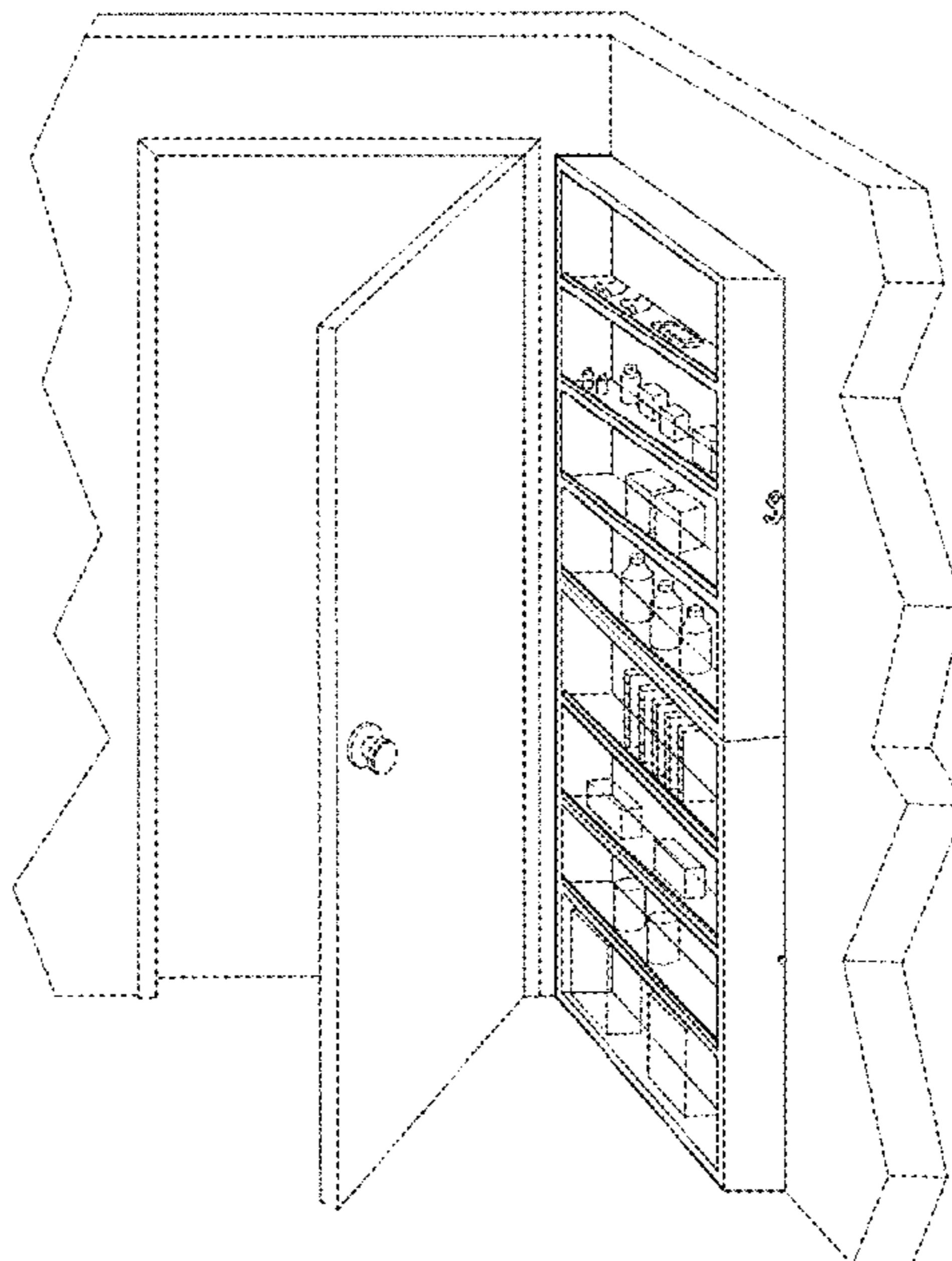
The broken lines in FIG. 1 of the drawings show unclaimed environment only and form no part of the claimed design.

(56) **References Cited**

U.S. PATENT DOCUMENTS

D331,344 S * 12/1992 Williams D6/552
5,211,292 A * 5/1993 Paolucci A47B 81/068
108/91
D371,025 S * 6/1996 Weberg D6/675.1
D377,427 S * 1/1997 Ashton, II D6/570
5,622,272 A * 4/1997 Orlando, Jr. A47B 57/04
211/150
D411,390 S * 6/1999 Polson D6/407
D521,775 S * 5/2006 Lau D6/630
8,910,580 B1 * 12/2014 Cockrell A47B 81/06
108/152
D732,859 S * 6/2015 Zamora D6/675.1
D763,566 S * 8/2016 Fasino D3/20

1 Claim, 3 Drawing Sheets



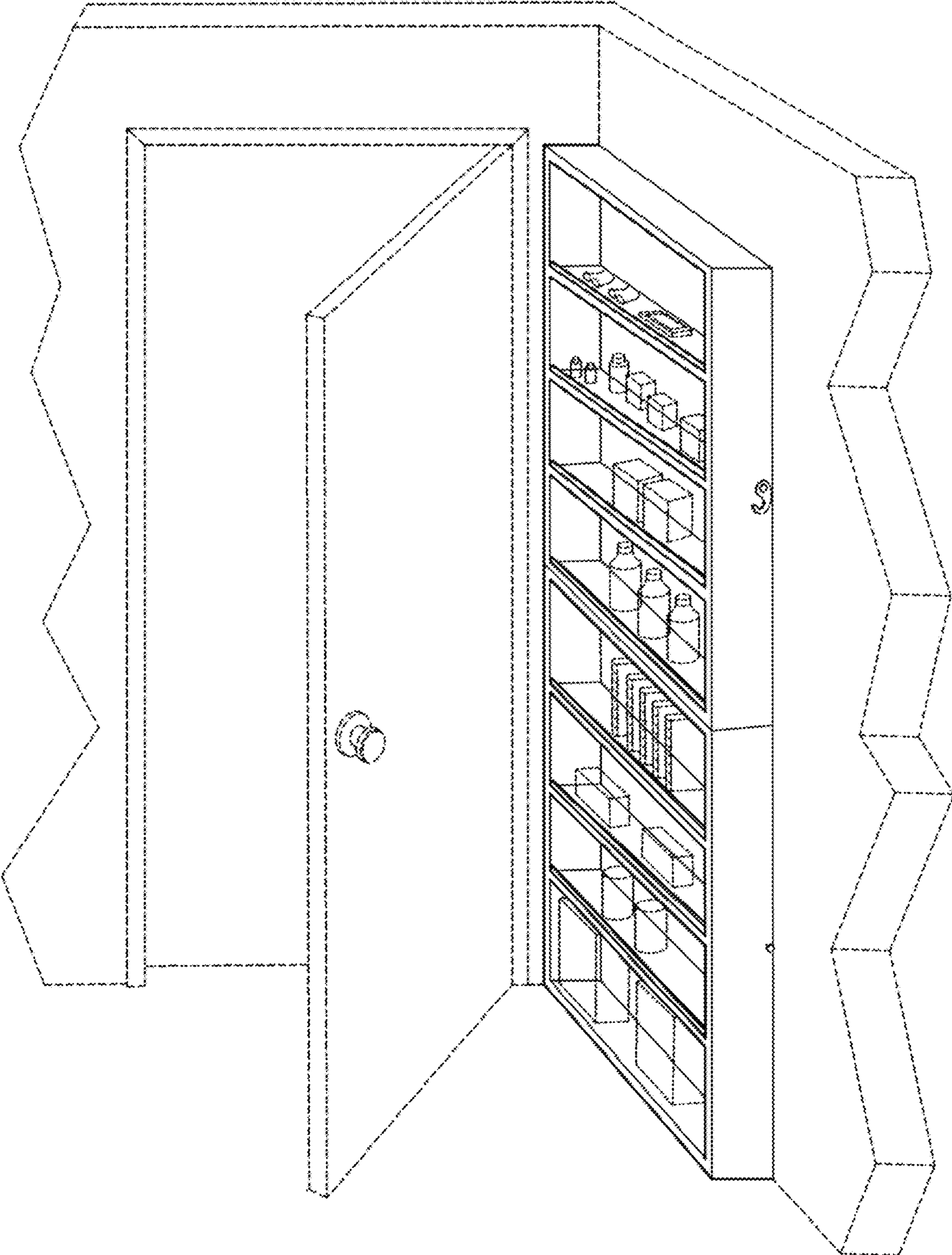


FIG. 1

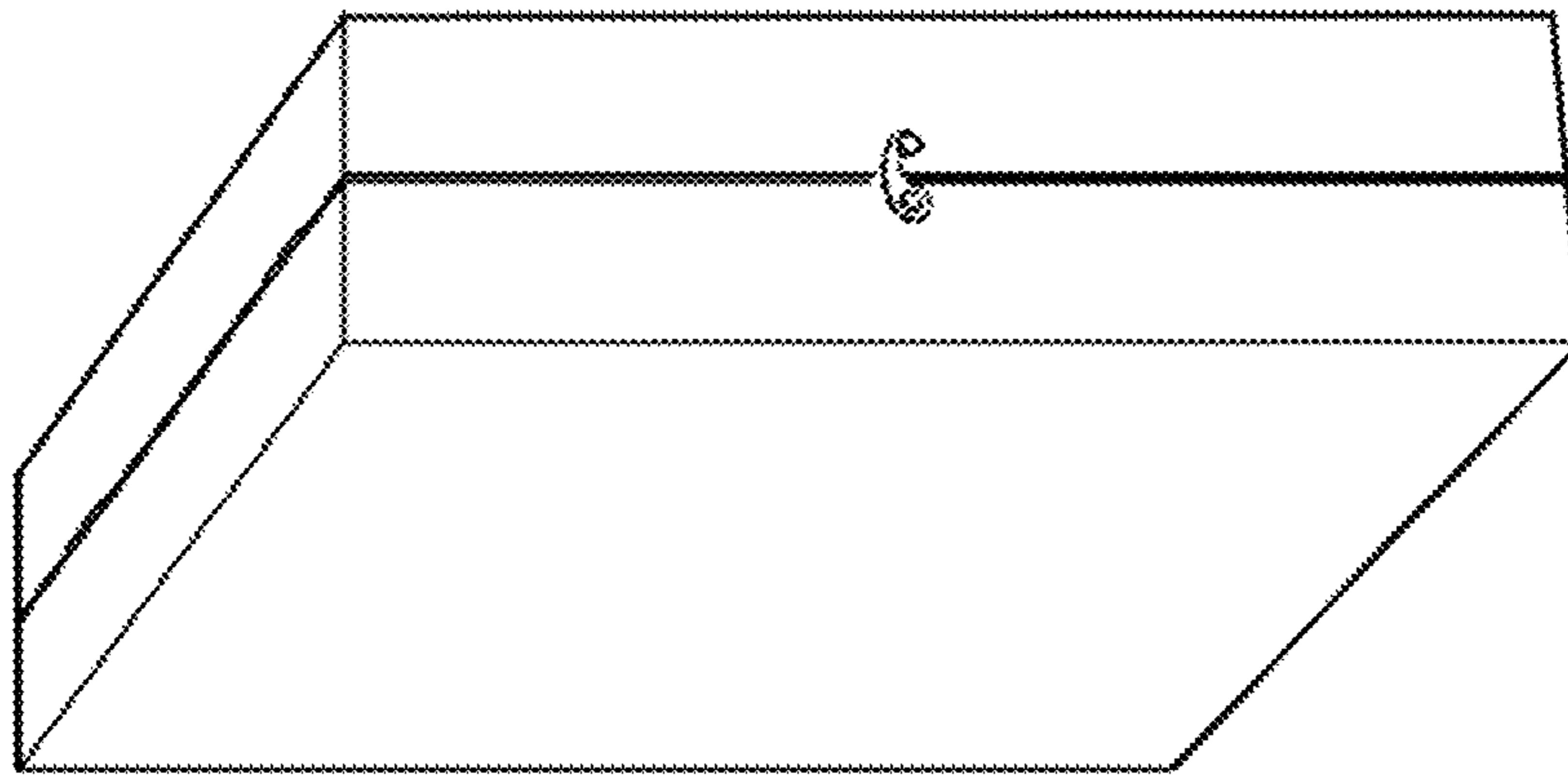


FIG. 3

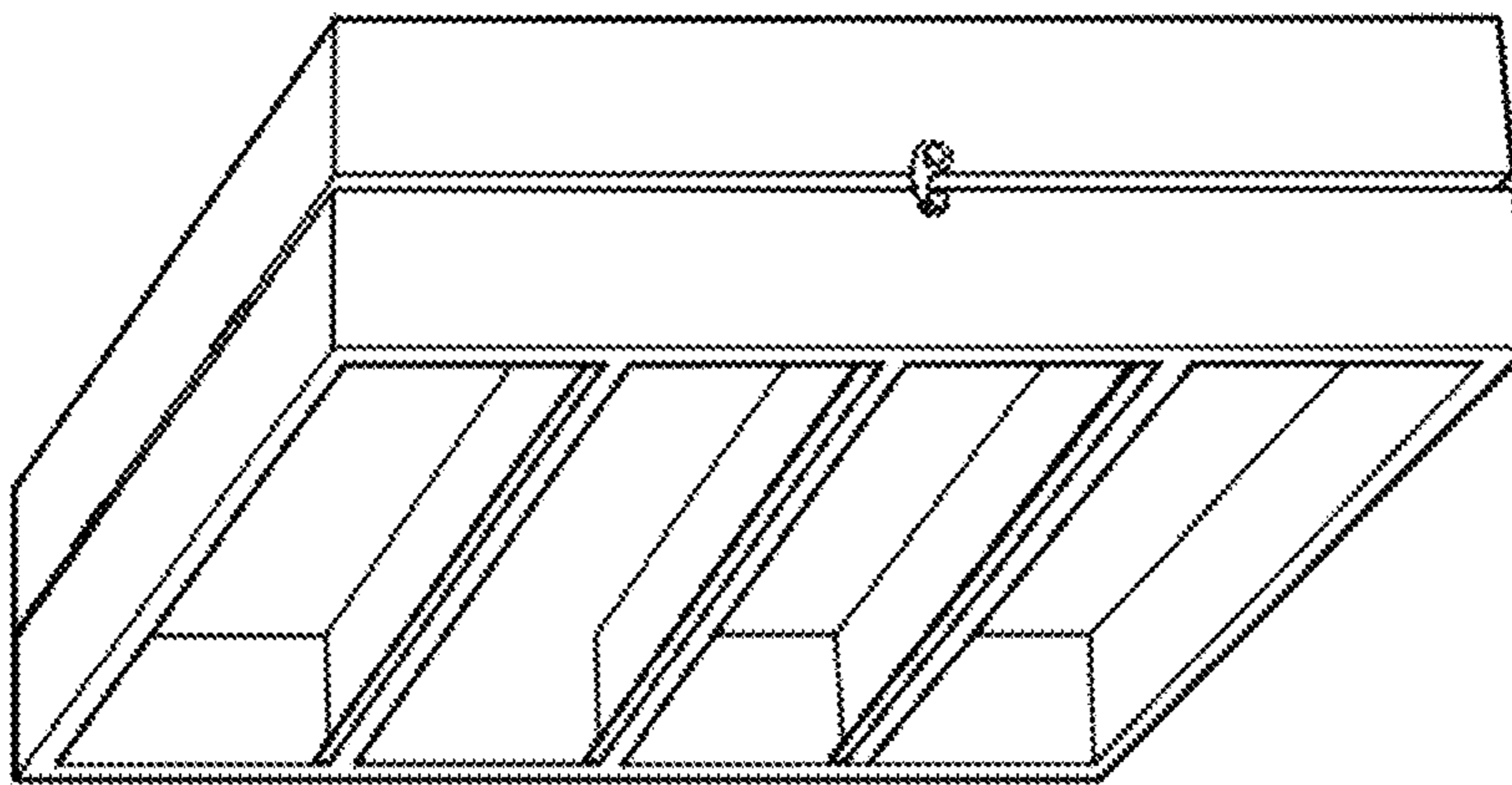


FIG. 2

