



US00D807086S

(12) **United States Design Patent** (10) **Patent No.:** **US D807,086 S**
Tio et al. (45) **Date of Patent:** **** Jan. 9, 2018**

(54) **DISPLAY STRUCTURE**
(71) Applicant: **Apple Inc.**, Cupertino, CA (US)
(72) Inventors: **Federico F. Tio**, Santa Cruz, CA (US);
Frank Craig Thaler, Santa Cruz, CA (US); **Kevin Fenton Smeds**, San Francisco, CA (US); **Chahe Demian**, San Francisco, CA (US); **Wesley Bryan Hamm**, San Francisco, CA (US)

D212,886 S 12/1968 Gordon
D218,325 S 8/1970 Sherman
3,740,881 A 6/1973 Finger
4,116,509 A 9/1978 Smith
D250,868 S 1/1979 Ornatek
4,144,664 A 3/1979 De Korte
D262,664 S 1/1982 Willits, Jr.
D264,731 S 6/1982 Shuman
D274,203 S 6/1984 Evered
D279,201 S 6/1985 Shuman
D321,100 S 10/1991 Dorrell
D323,944 S 2/1992 Maas
D324,701 S 3/1992 Capps

(73) Assignee: **Apple Inc.**, Cupertino, CA (US)
(**) Term: **15 Years**

Primary Examiner — Kelley Donnelly
(74) *Attorney, Agent, or Firm* — Sterne, Kessler, Goldstein & Fox P.L.L.C.

(21) Appl. No.: **29/594,317**

(22) Filed: **Feb. 17, 2017**

Related U.S. Application Data

(63) Continuation of application No. 29/542,686, filed on Oct. 16, 2015, now Pat. No. Des. 779,240, which is a continuation of application No. 29/521,227, filed on Mar. 20, 2015, now Pat. No. Des. 741,091, which is a continuation of application No. 29/469,978, filed on Oct. 16, 2013, now Pat. No. Des. 725,947.

(51) **LOC (11) Cl.** **06-06**
(52) **U.S. Cl.**
USPC **D6/675**

(58) **Field of Classification Search**
USPC D6/320, 672, 673, 675, 682, 682.1, 512, D6/553; 211/42, 44-45, 48, 50, 90.01, 211/133.1
CPC A47F 5/0043; A47F 5/08; A47F 5/0807; A47F 5/16
See application file for complete search history.

(56) **References Cited**

U.S. PATENT DOCUMENTS

D41,125 S 1/1911 Klee
D144,844 S 5/1945 Dunham

(57) **CLAIM**

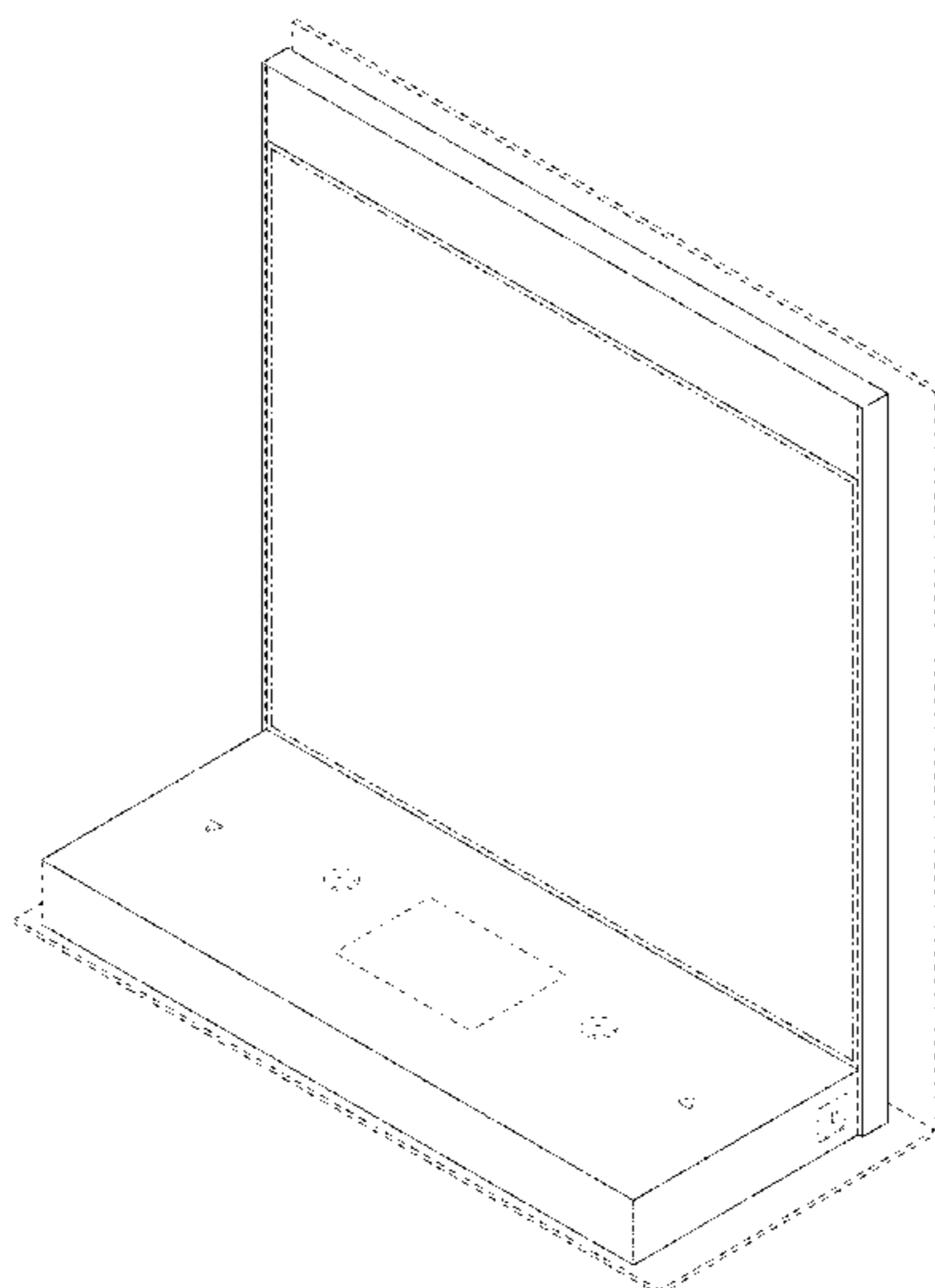
The ornamental design for a display structure, as shown and described.

DESCRIPTION

FIG. 1 is a top front perspective view of a display structure showing the claimed design;
FIG. 2 is a front view thereof;
FIG. 3 is a rear view thereof;
FIG. 4 is a right side view thereof;
FIG. 5 is a left side view thereof;
FIG. 6 is a top view thereof;
FIG. 7 is a bottom view thereof; and,
FIG. 8 is a top front perspective reference view thereof showing broken-line environmental items in use with the display structure.

The dashed broken lines in the figures show portions of the display structure that form no part of the claimed design. The dot-dash broken lines in the figures show boundaries that form no part of the claimed design.

1 Claim, 6 Drawing Sheets



(56)

References Cited

U.S. PATENT DOCUMENTS

D335,963 S	6/1993	Tracey	D637,421 S	5/2011	Theisen et al.
D347,755 S	6/1994	Houston	D642,360 S	8/2011	West
D351,863 S	10/1994	Sarkisian et al.	D642,390 S	8/2011	West
D354,638 S	1/1995	Todd et al.	D642,824 S	8/2011	Theisen et al.
D359,488 S	6/1995	Hui	D649,192 S	11/2011	Beukema et al.
D362,236 S	9/1995	Dann et al.	D657,978 S	4/2012	Hamm et al.
D365,947 S	1/1996	Howard	D660,361 S *	5/2012	Carver, Jr. D20/19
D369,044 S	4/1996	Lechleiter et al.	D661,124 S	6/2012	Curbbun et al.
5,577,817 A	11/1996	Reynolds	D671,535 S	11/2012	Terashima et al.
D377,012 S	12/1996	Oslund	D676,430 S	2/2013	Blaser
5,607,070 A *	3/1997	Hellyer A47F 5/0846 211/187	D678,696 S	3/2013	Hamm et al.
D392,686 S *	3/1998	Sarkisian D20/21	D679,521 S	4/2013	Hamm et al.
D395,677 S	6/1998	Gongora et al.	D682,581 S	5/2013	Kikkert et al.
D396,251 S	7/1998	Mortensen	D684,792 S	6/2013	Kikkert et al.
D397,562 S	9/1998	DePottay et al.	D693,156 S	11/2013	Hamm et al.
D400,737 S	11/1998	DePottay et al.	8,602,227 B1	12/2013	McDonald
D408,383 S	4/1999	Carter et al.	D700,901 S *	3/2014	Giglio D14/129
5,890,607 A	4/1999	Maglione	D709,952 S	7/2014	Logan et al.
D410,036 S	5/1999	Washington	D713,658 S	9/2014	Tio et al.
D434,451 S	11/2000	Grimshaw	D717,085 S	11/2014	Trinh et al.
D434,929 S	12/2000	Heiny et al.	D722,313 S	2/2015	Birgeoglu
6,164,467 A	12/2000	Depottay et al.	D722,794 S	2/2015	Luong
6,170,678 B1	1/2001	de la Fuente	D723,025 S	2/2015	Birgeoglu
D443,308 S	6/2001	Kovell	D723,026 S	2/2015	Birgeoglu
6,357,609 B1	3/2002	Van Noord et al.	D725,108 S *	3/2015	Yeon D14/376
D463,499 S	9/2002	Marcos	D725,947 S	4/2015	Tio et al.
D465,529 S	11/2002	Hummell	D727,995 S *	4/2015	Vilcovsky D16/221
D468,134 S	1/2003	Oikawa	D730,852 S *	6/2015	Park D14/126
D470,892 S	2/2003	Linko, Sr.	D734,965 S	7/2015	Tio et al.
D478,582 S *	8/2003	Becker D14/302	D741,091 S	10/2015	Tio et al.
D497,485 S	10/2004	Resultan	D742,455 S	11/2015	Denby et al.
D501,284 S	1/2005	Mount	D753,754 S *	4/2016	Vilcovsky D16/221
D509,543 S	9/2005	Hillstrom et al.	D767,922 S	10/2016	Jussila
7,228,654 B2 *	6/2007	Stravitz G09F 1/14 40/732	D769,651 S *	10/2016	Tio D6/675
D559,577 S	1/2008	Quinn	D770,203 S	11/2016	Thaler et al.
D590,630 S	4/2009	Singler et al.	D779,240 S *	2/2017	Tio D6/675
D591,531 S	5/2009	Sparkowski	D790,260 S *	6/2017	Tio D6/675
D592,422 S	5/2009	Rheault	D795,751 S *	8/2017	Roth D12/115
D610,832 S	3/2010	Rheault	D796,234 S *	9/2017	Thaler D6/675
D632,903 S	2/2011	Paul	2005/0279033 A1 *	12/2005	Faber E04B 2/7433 52/36.4
			2007/0170823 A1	7/2007	Stannis et al.
			2017/0127832 A1 *	5/2017	Klacking A47B 97/00

* cited by examiner

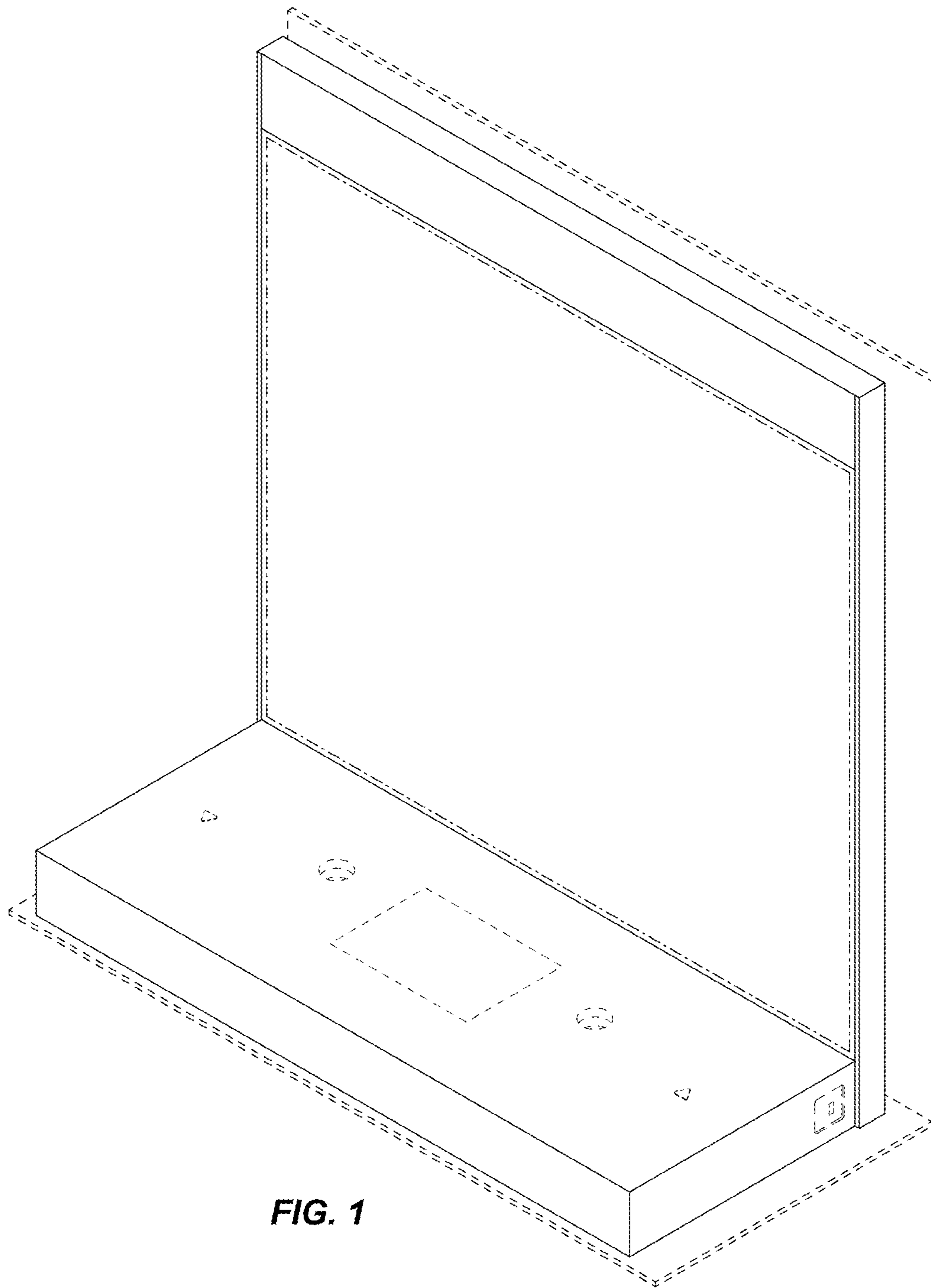


FIG. 1

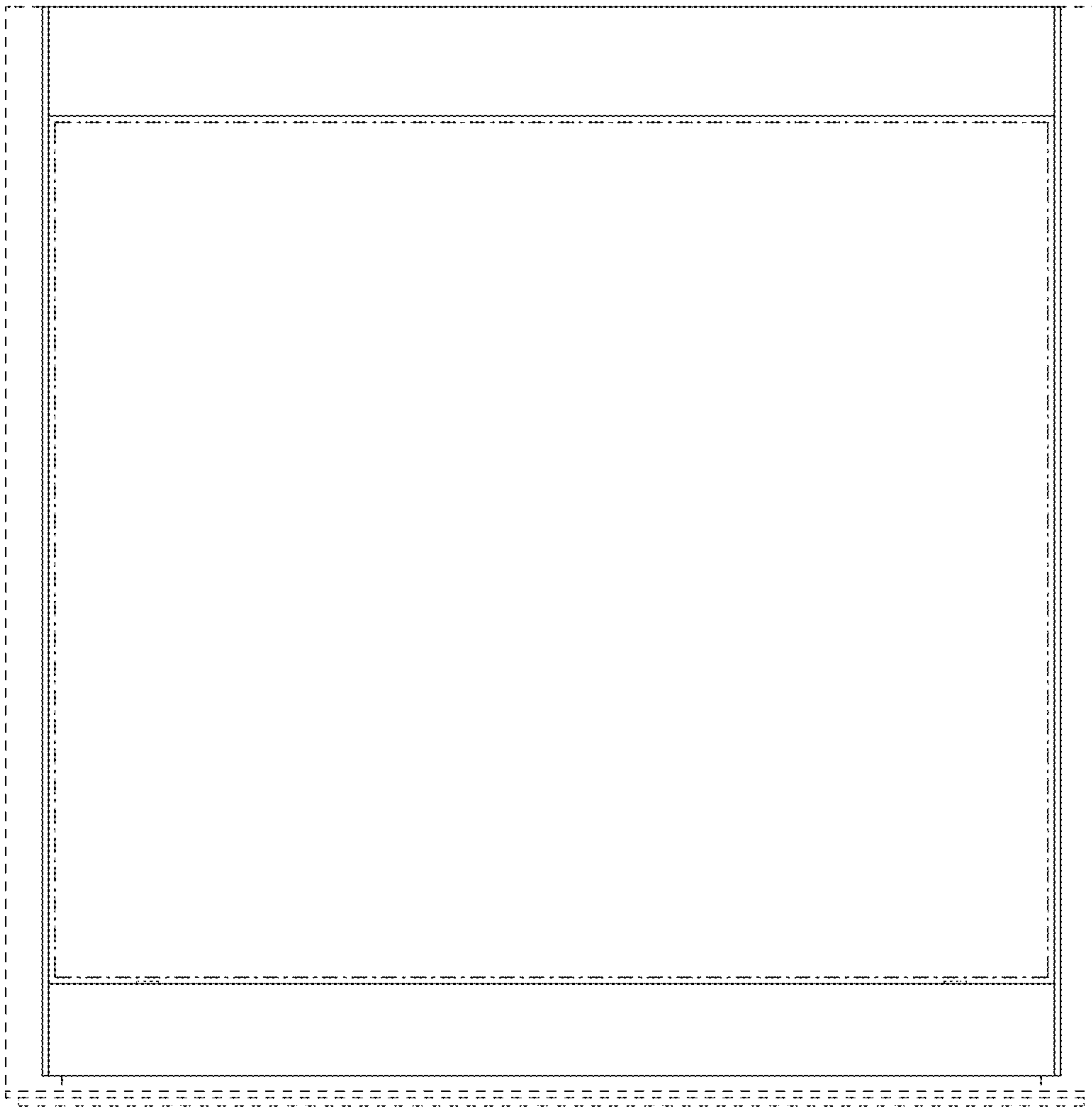


FIG. 2



FIG. 3

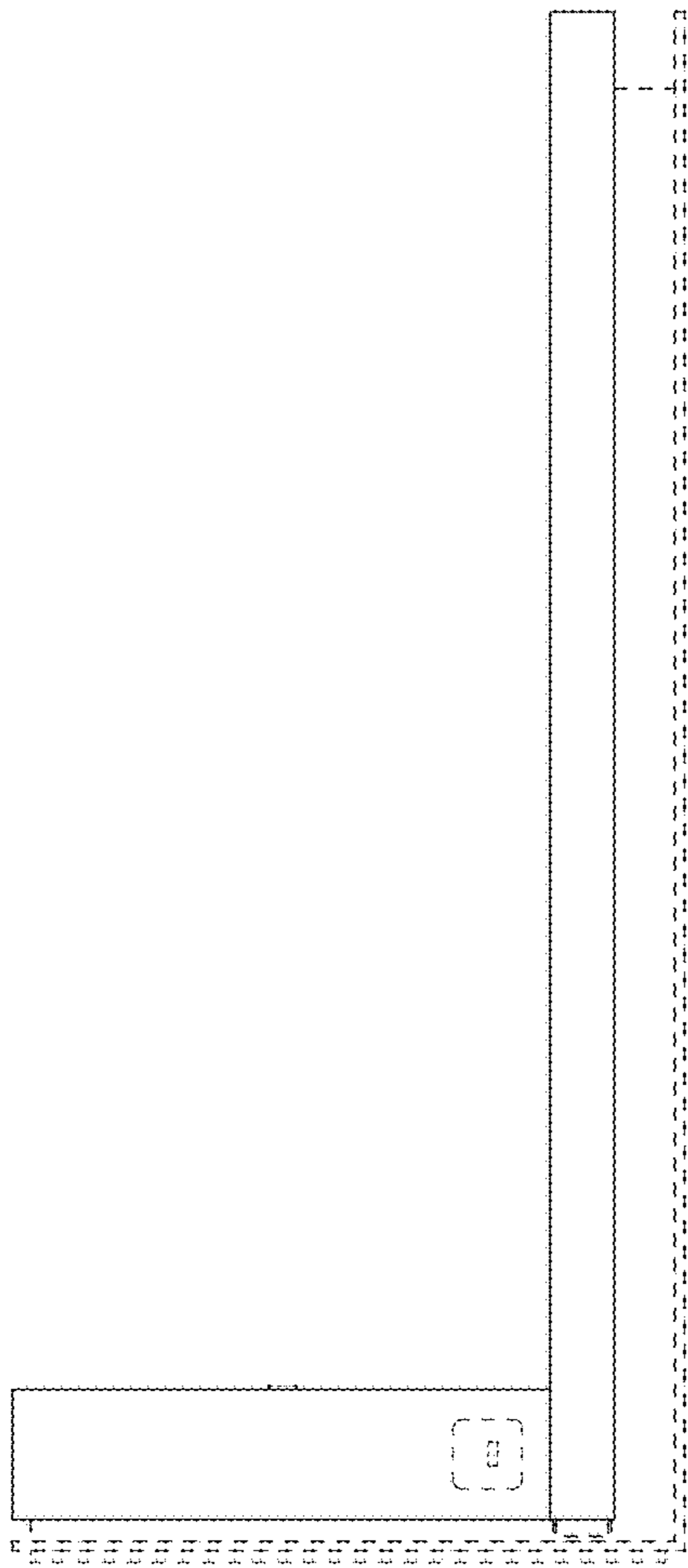


FIG. 4

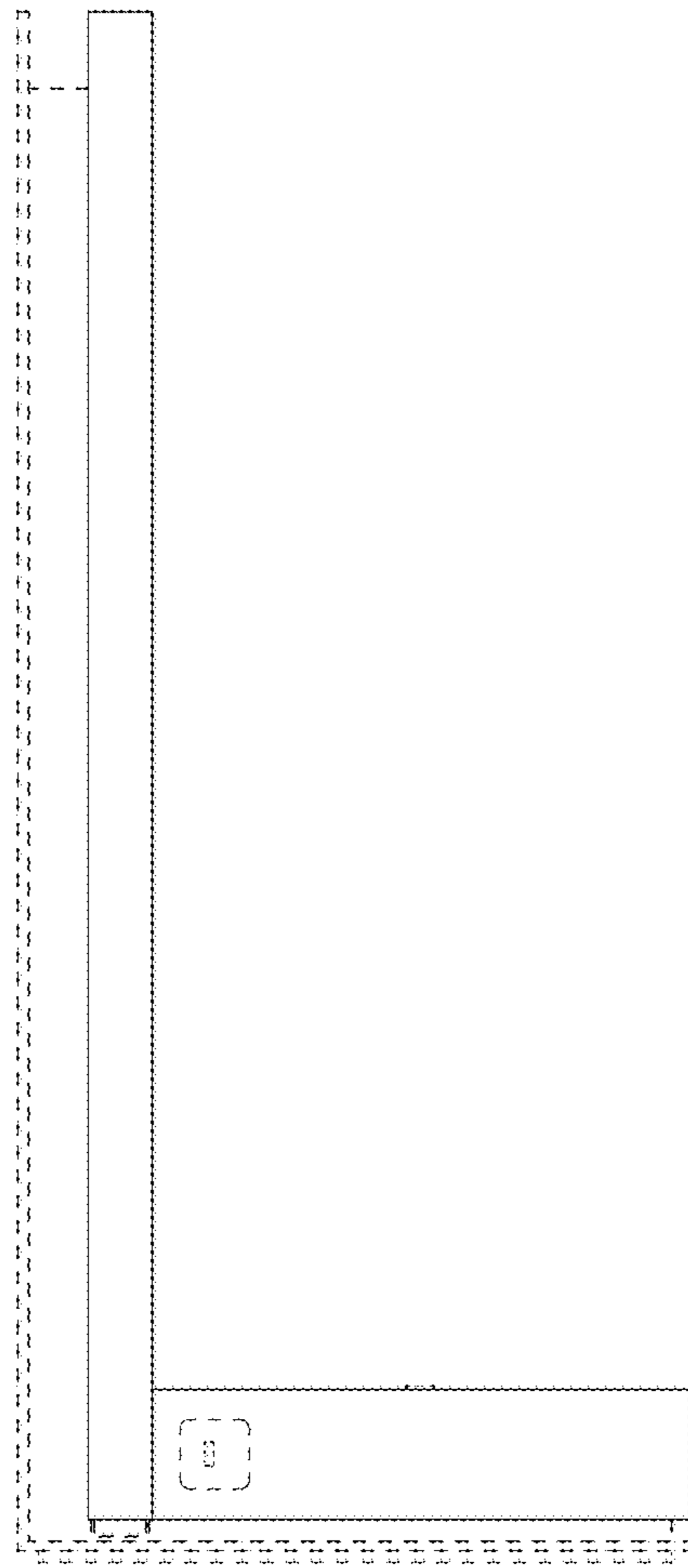


FIG. 5

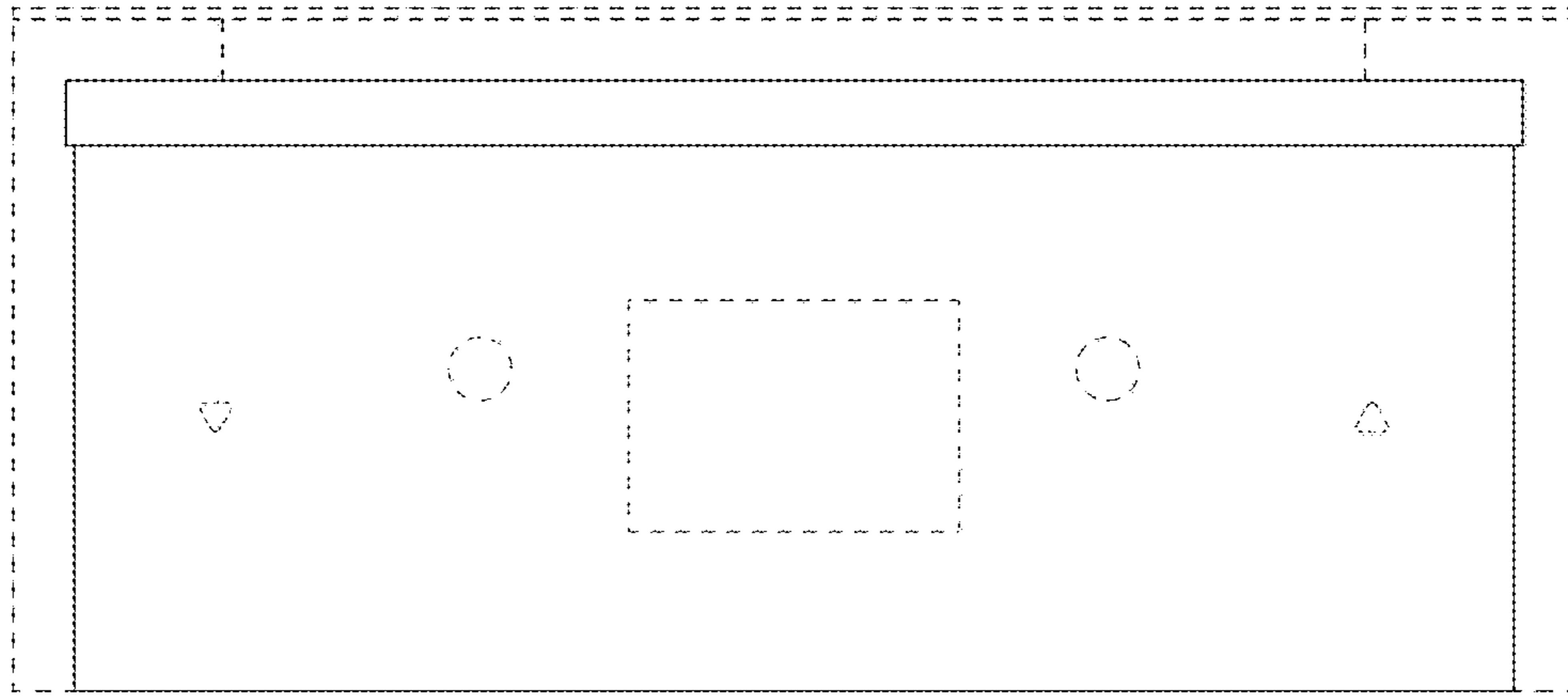


FIG. 6

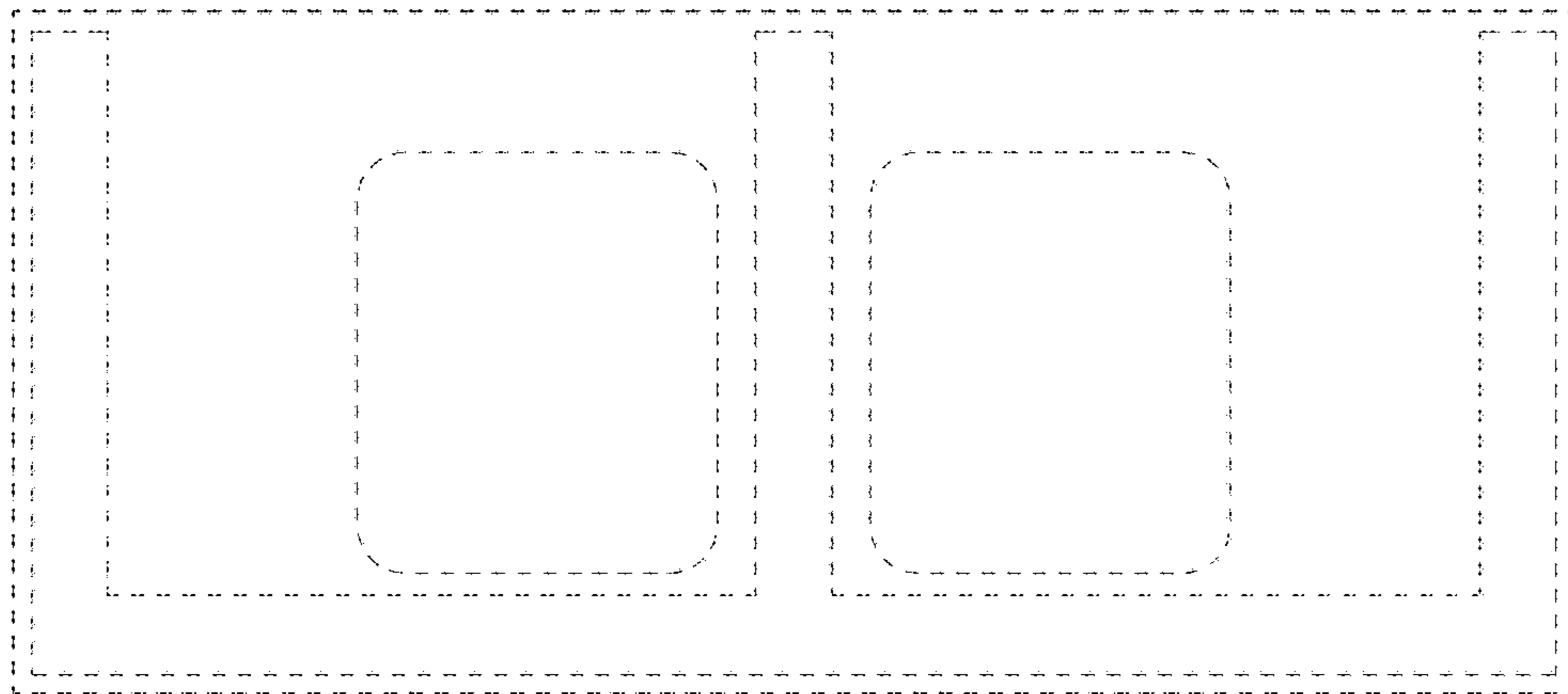


FIG. 7

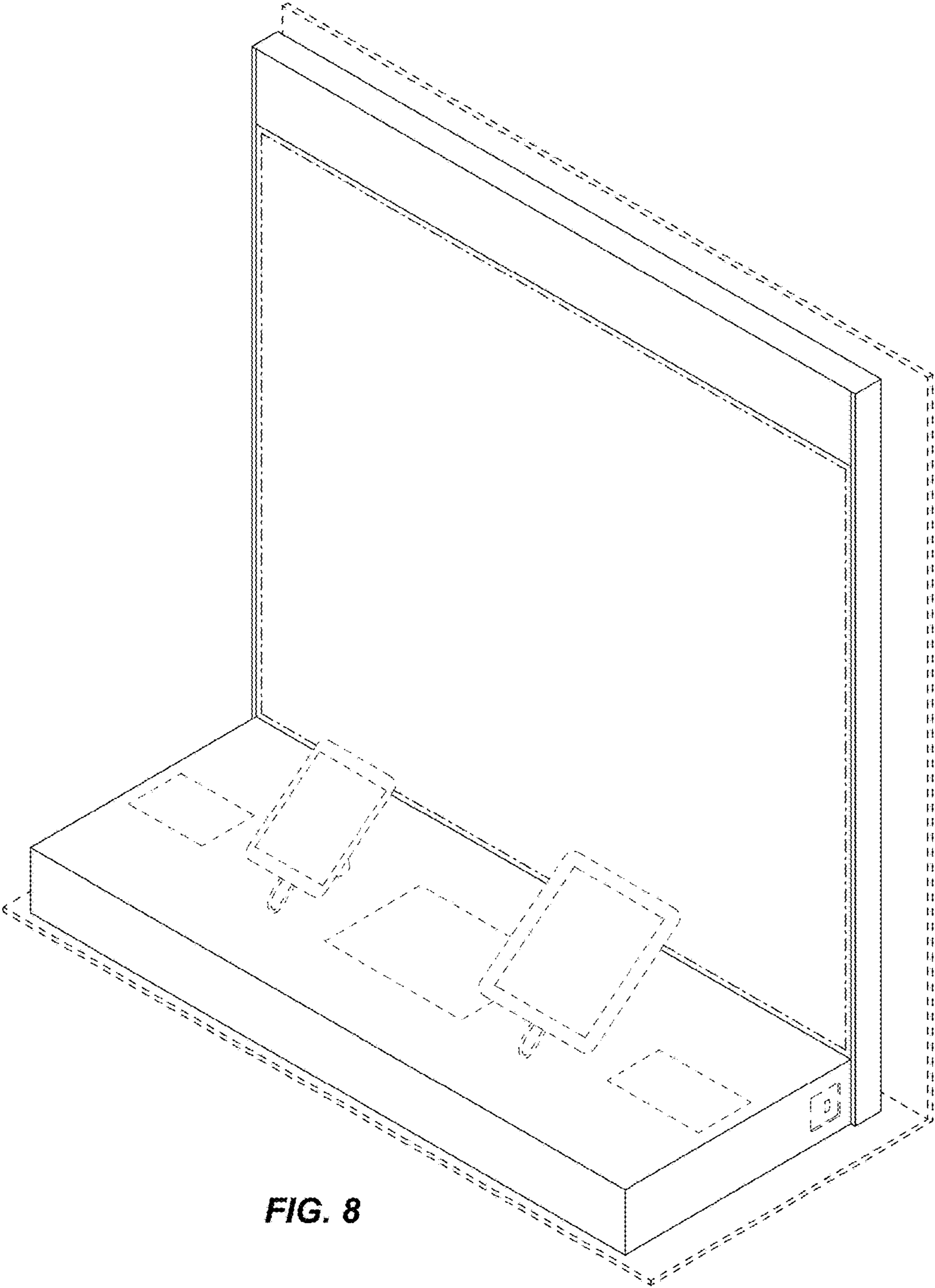


FIG. 8