



US00D807083S

(12) **United States Design Patent**
Yamamoto

(10) **Patent No.:** **US D807,083 S**
(45) **Date of Patent:** **** Jan. 9, 2018**

(54) **TABLE**

(71) Applicant: **OKAMURA CORPORATION**,
Yokohama-shi, Kanagawa (JP)

(72) Inventor: **Takayuki Yamamoto**, Yokohama (JP)

(73) Assignee: **Okamura Corporation**, Yokohama-shi,
Kanagawa (JP)

(**) Term: **15 Years**

(21) Appl. No.: **29/551,223**

(22) Filed: **Jan. 12, 2016**

(30) **Foreign Application Priority Data**

Jul. 13, 2015 (JP) 2015-015494

(51) **LOC (11) Cl.** **06-03**

(52) **U.S. Cl.**
USPC **D6/656.16**

(58) **Field of Classification Search**

USPC D6/641, 644, 656, 708, 656.13, 656.17,
D6/656.16

CPC A47B 21/00; A47B 21/02; A47B 41/00;
A47B 41/02; A47B 13/08; A47B
2200/0001; A47B 7/00; A47B 7/02; A47B
9/00; A47B 13/02; A47B 9/20; A47B
9/12

See application file for complete search history.

(56) **References Cited**

U.S. PATENT DOCUMENTS

D208,709 S * 9/1967 Barecki D16/232
D299,798 S * 2/1989 Sottsas D6/656.16
6,895,868 B1 * 5/2005 Cronk A47B 21/06
108/50.02
D604,063 S * 11/2009 Oshinomi D6/656.16
D644,044 S * 8/2011 Kitajima D6/656.17

D719,767 S * 12/2014 Scharer D6/656.17
D732,317 S * 6/2015 Chang D6/656.17
D734,066 S * 7/2015 Park D14/305
2005/0268823 A1 * 12/2005 Bakker A47B 21/06
108/50.02
2011/0247530 A1 * 10/2011 Coffman A47B 3/0911
108/116
2013/0081559 A1 * 4/2013 Roh A47B 97/00
108/50.02
2015/0120238 A1 * 4/2015 Marvit A47B 9/00
702/152
2016/0095425 A1 * 4/2016 Yang A47B 9/06
248/188.2

* cited by examiner

Primary Examiner — Rosemary K Tarcza

Assistant Examiner — Alison M Ofstun

(74) *Attorney, Agent, or Firm* — Sughrue Mion, PLLC

(57) **CLAIM**

The ornamental design for a table, as shown and described.

DESCRIPTION

FIG. 1 is a perspective view of a table.

FIG. 2 is a front elevation view thereof, a rear elevation view being a mirror image;

FIG. 3 is a right side elevation view thereof, a left side elevation view being a mirror image;

FIG. 4 is a top plan view thereof;

FIG. 5 is a bottom plan view thereof;

FIG. 6 is a cross-sectional view taken along the line 6-6 in FIG. 2;

FIG. 7 is a cross-sectional view taken along the line 7-7 in FIG. 2; and,

FIG. 8 is a perspective view thereof, shown in an alternate position.

The broken lines included in the figures are for the purpose of illustrating portions of the article which form no part of the claimed design.

1 Claim, 8 Drawing Sheets

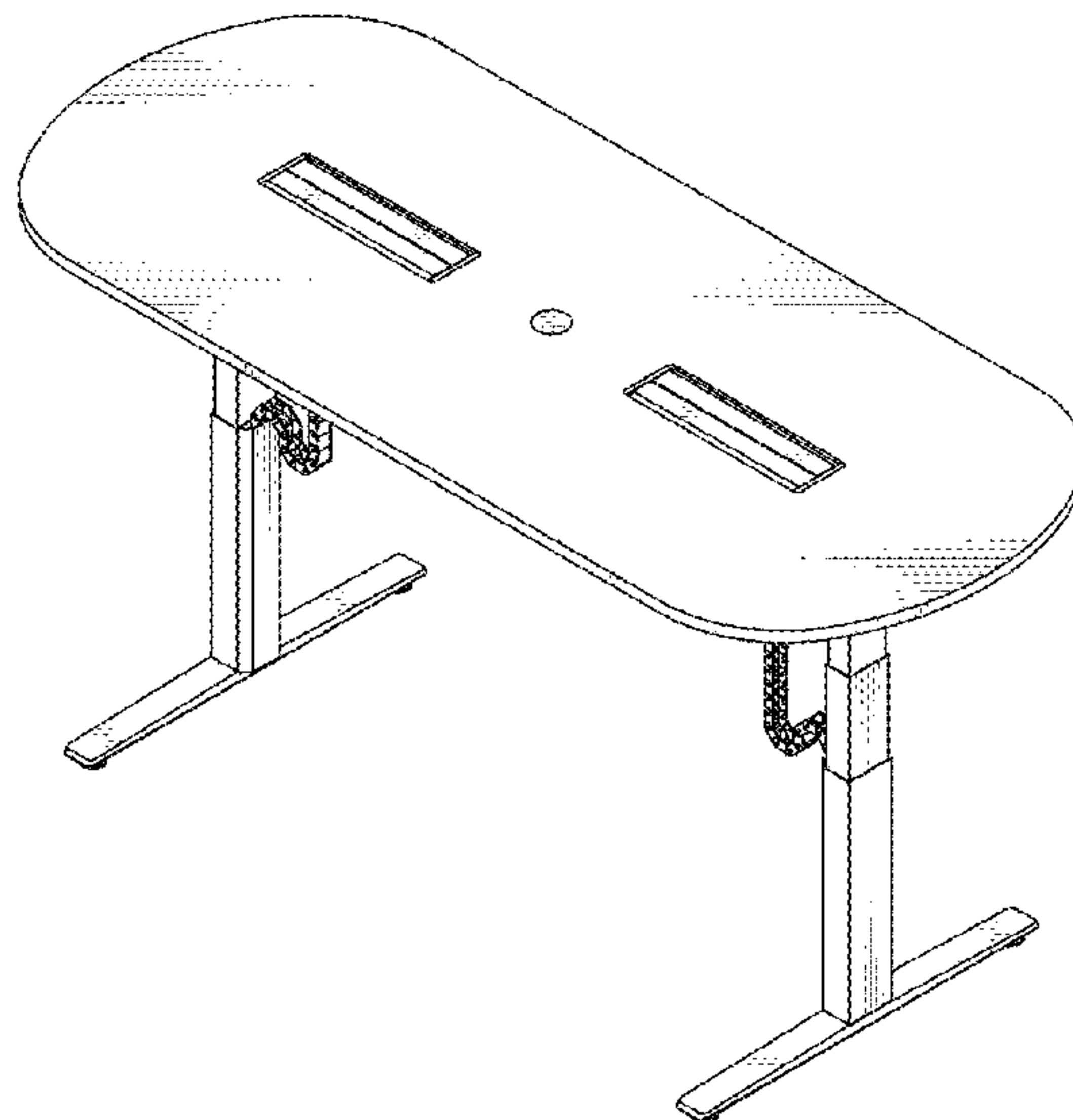


FIG. 1

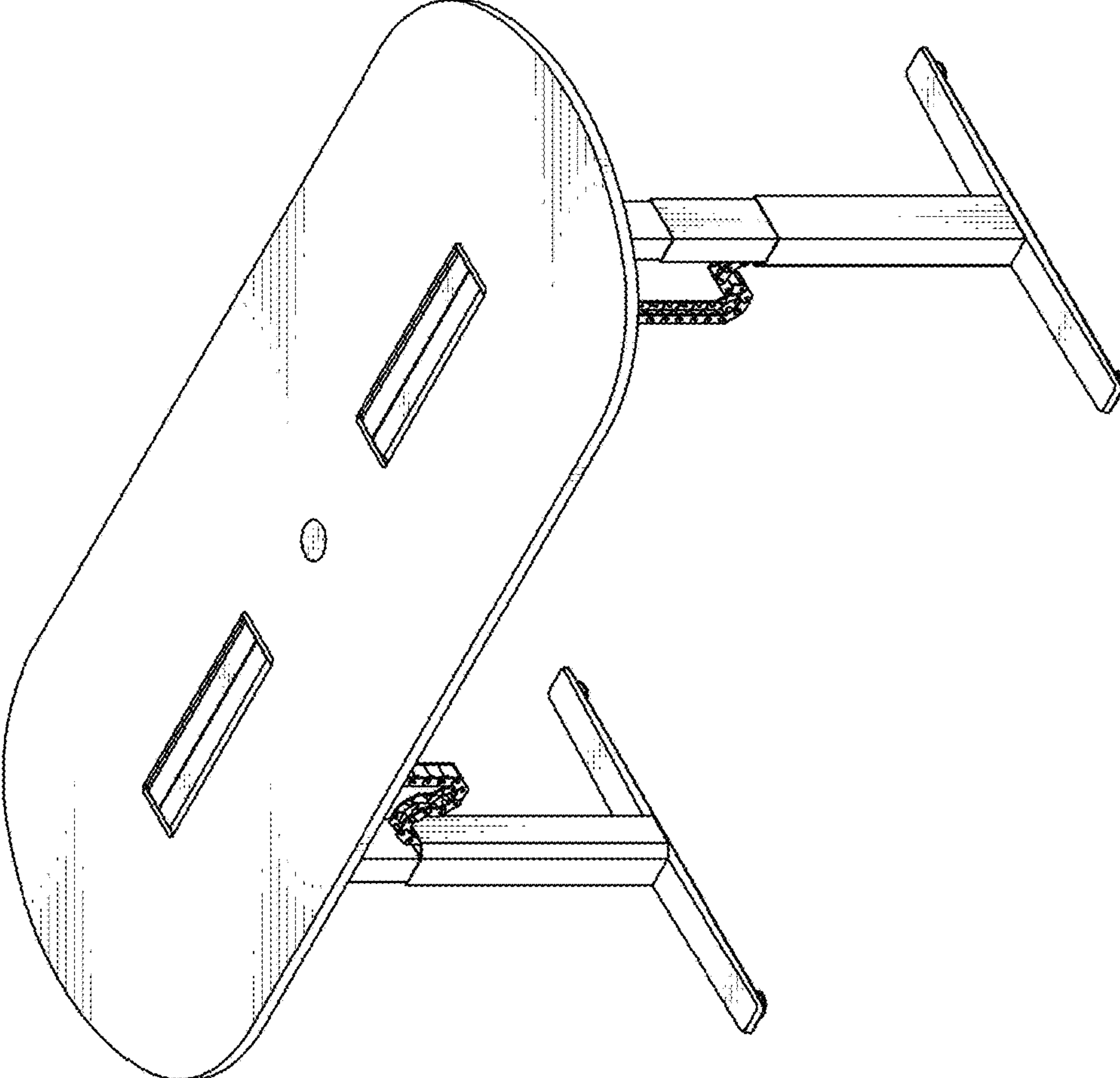


FIG. 2

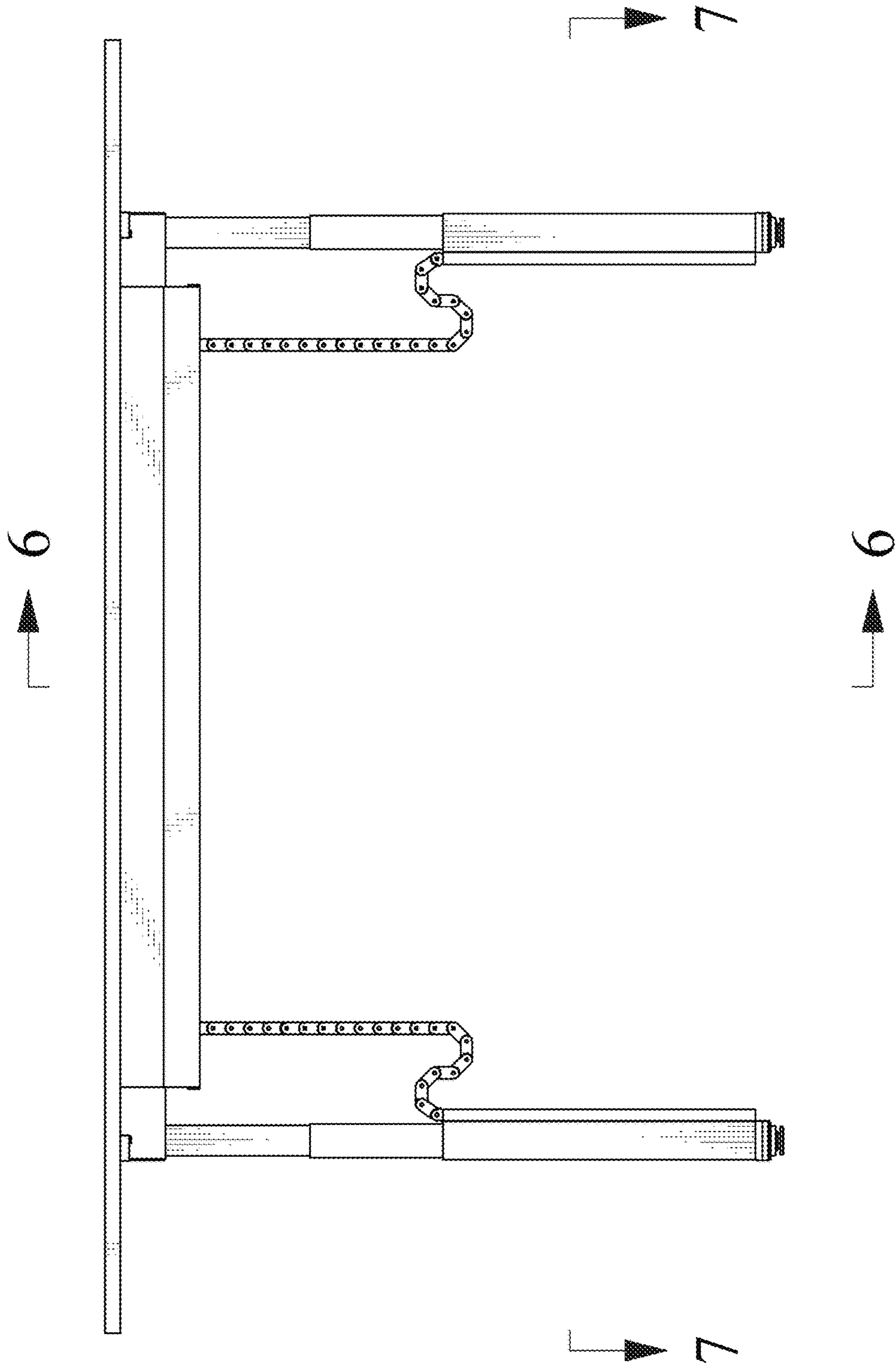


FIG. 3

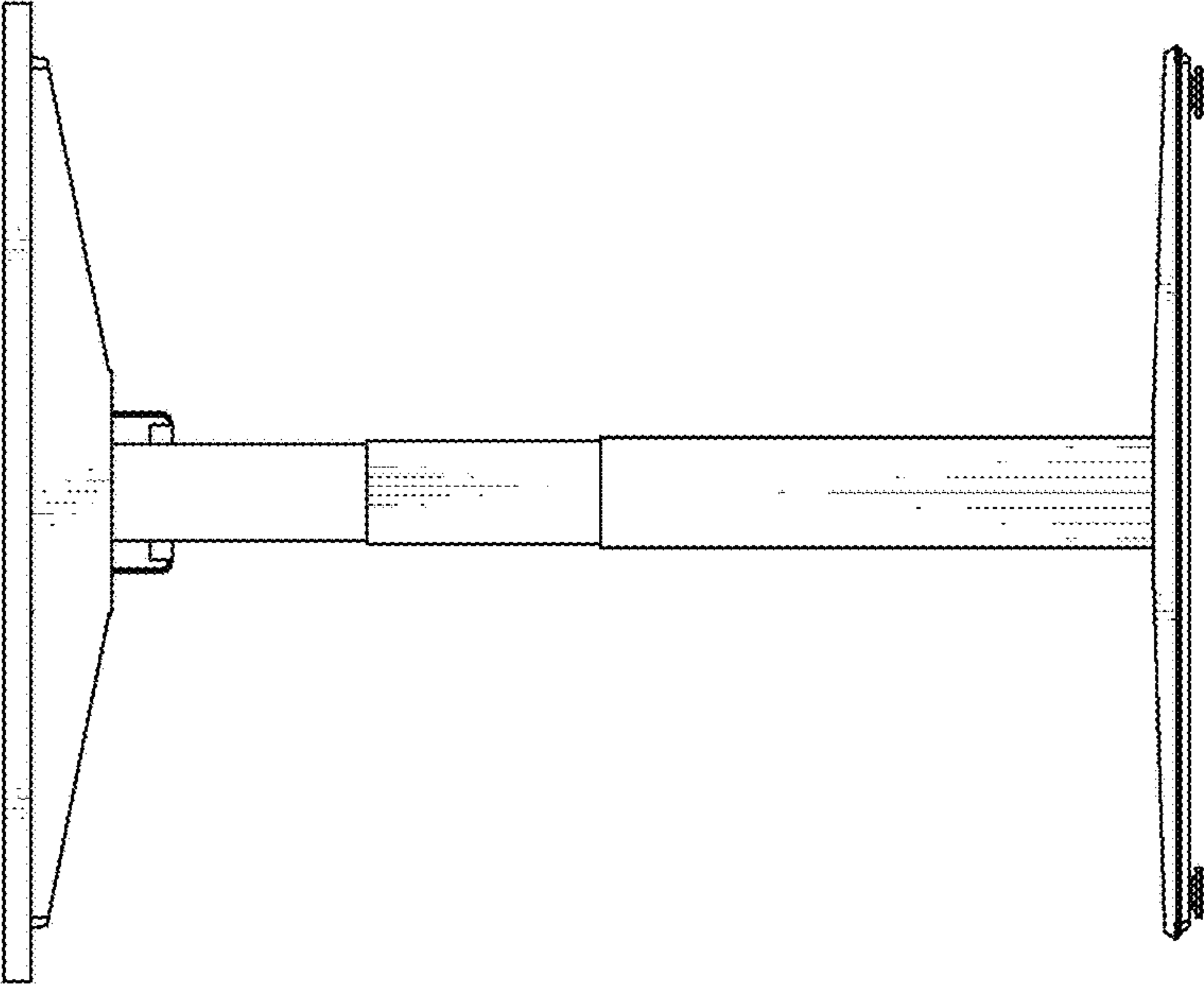


FIG. 4

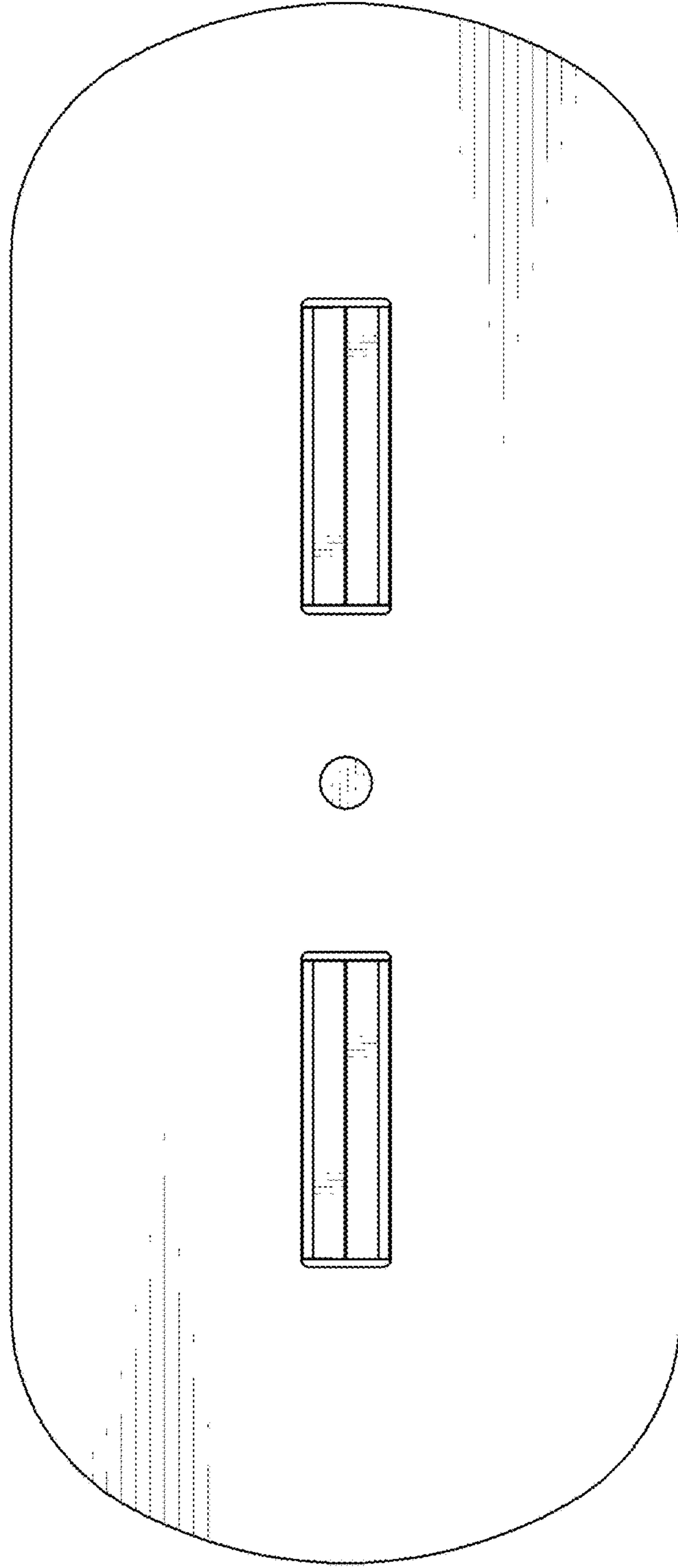


FIG. 5

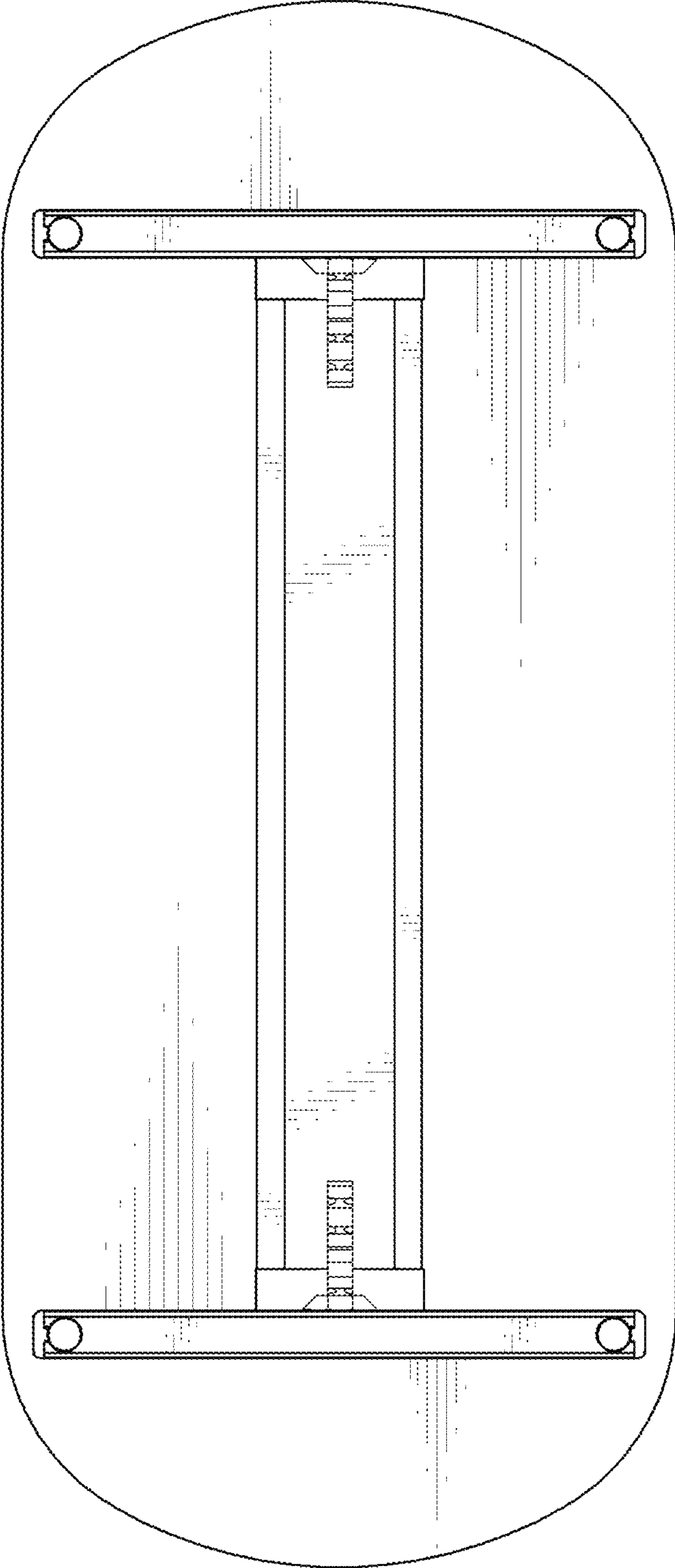
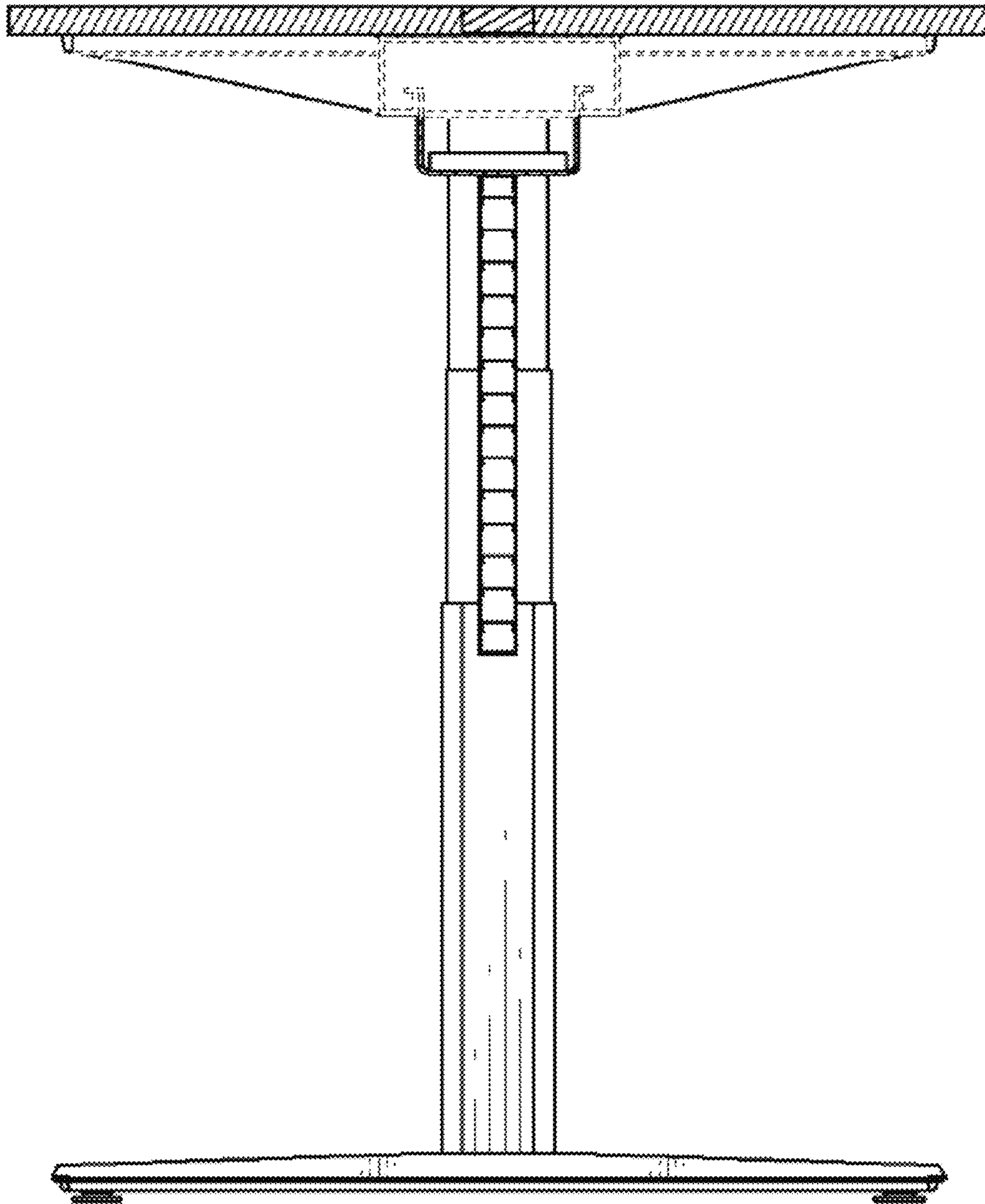


FIG. 6



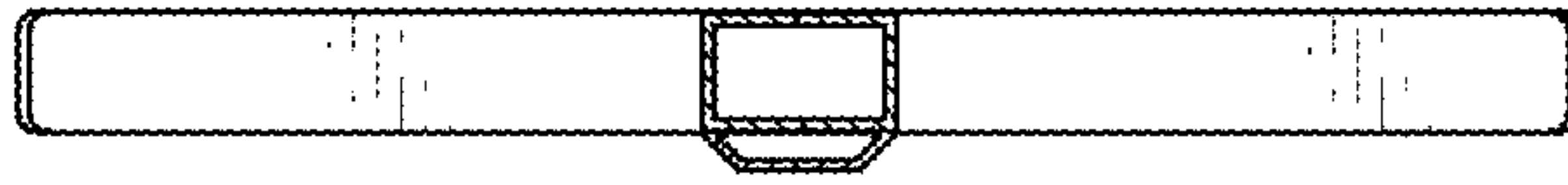


FIG. 7

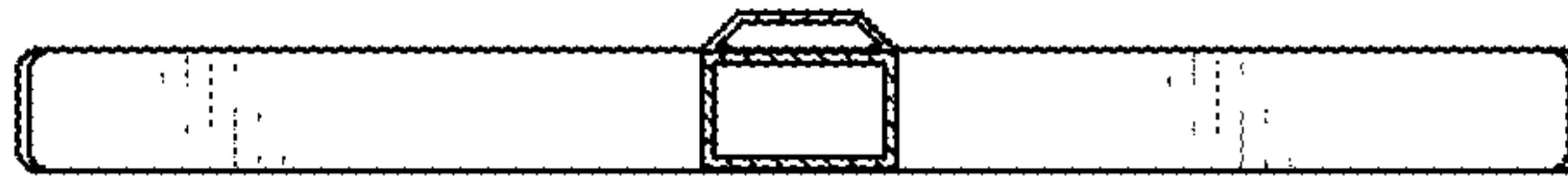


FIG. 8

