



US00D807082S

(12) **United States Design Patent**  
**Zanki et al.**

(10) **Patent No.:** **US D807,082 S**  
(45) **Date of Patent:** **\*\* Jan. 9, 2018**

(54) **SUPPORT APPARATUS**

- (71) Applicants: **Logan Zanki**, North Plainfield, NJ (US); **Kathleen Zanki**, North Plainfield, NJ (US)
- (72) Inventors: **Logan Zanki**, North Plainfield, NJ (US); **Kathleen Zanki**, North Plainfield, NJ (US)
- (\*\*) Term: **15 Years**
- (21) Appl. No.: **29/608,420**
- (22) Filed: **Jun. 21, 2017**

**Related U.S. Application Data**

- (62) Division of application No. 29/548,298, filed on Dec. 11, 2015, now Pat. No. Des. 793,123.
- (51) **LOC (11) Cl.** ..... **06-09**
- (52) **U.S. Cl.**  
USPC ..... **D6/601**
- (58) **Field of Classification Search**  
USPC ..... D6/333, 349, 355, 375, 388, 512, 563, D6/564, 595, 596, 601, 604, 611, 707, D6/715, 716, 716.1; D24/183-185, 234; D21/803, 804, 805, 809; 5/401, 420, 5/600, 630, 631, 632, 633, 635, 636, 638, 5/639, 646, 652, 652.1, 655, 703, 730; 297/1, 2, 4, 93, 180.11, 195.1, 195.11, 297/195.13, 393, 397, 452.12, 452.1, 297/452.15, 452.21, 452.24, 452.26, 297/452.48, 452.62, 482  
CPC .. A47G 9/1036; A47G 9/1045; A47G 9/1063; A47G 9/1072; A47G 9/1081; A47G 9/109; A47C 7/021; A47C 27/00  
See application file for complete search history.

(56) **References Cited**

U.S. PATENT DOCUMENTS

2,089,854	A *	8/1937	Pellegrini .....	A47C 20/025 5/110
D263,190	S *	3/1982	Herr .....	5/636
D285,512	S *	9/1986	Bool .....	D6/596
D334,318	S *	3/1993	Chee .....	D6/601
D342,409	S *	12/1993	Gambin .....	5/631
D445,505	S *	7/2001	Shapiro .....	D24/183
D504,045	S *	4/2005	Rediske .....	D6/601
D576,408	S *	9/2008	Forshpan .....	D6/333
D610,853	S *	3/2010	Straub .....	D6/601
D618,947	S *	7/2010	Kalatsky .....	D6/601
D642,278	S *	7/2011	Sharps .....	D24/184
D656,356	S *	3/2012	Cheng .....	D6/601
D666,046	S *	8/2012	Xiong .....	D6/601
D670,090	S *	11/2012	Miucci .....	D6/349
8,656,541	B2 *	2/2014	Muollo .....	A47C 20/021 5/615
D700,786	S *	3/2014	Yeung .....	D6/333
D714,072	S *	9/2014	Nadeau .....	D6/390

\* cited by examiner

*Primary Examiner* — Eric L Goodman  
*Assistant Examiner* — Sanjeev Paul  
 (74) *Attorney, Agent, or Firm* — Gearhart Law LLC

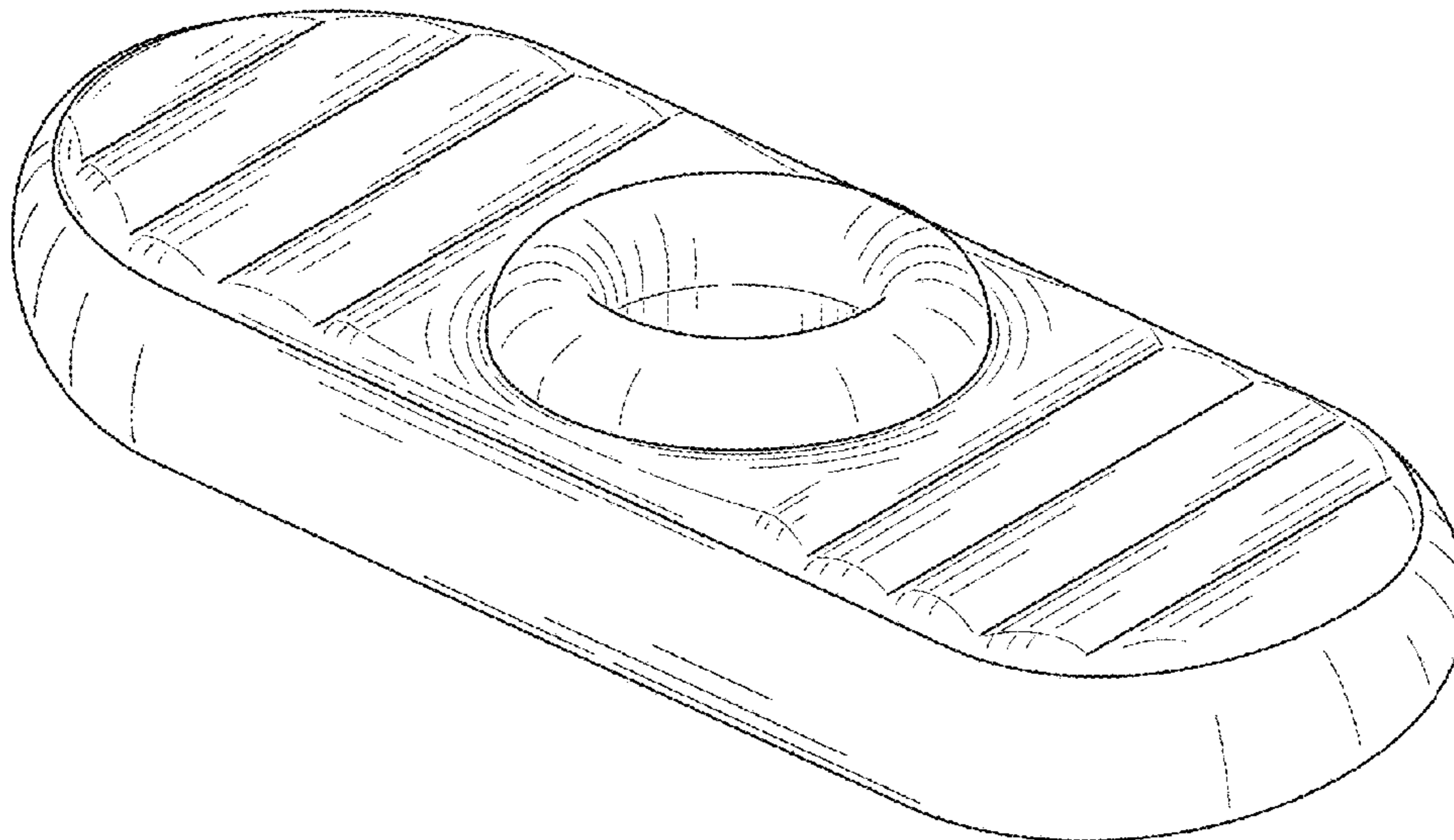
(57) **CLAIM**

The ornamental design for a support apparatus, as shown and described.

**DESCRIPTION**

FIG. 1 is a perspective view of the support apparatus.  
 FIG. 2 is a back view thereof.  
 FIG. 3 is a front view thereof.  
 FIG. 4 is a right side view thereof.  
 FIG. 5 is a left side view thereof.  
 FIG. 6 is a top view thereof; and,  
 FIG. 7 is a bottom view thereof.

**1 Claim, 5 Drawing Sheets**



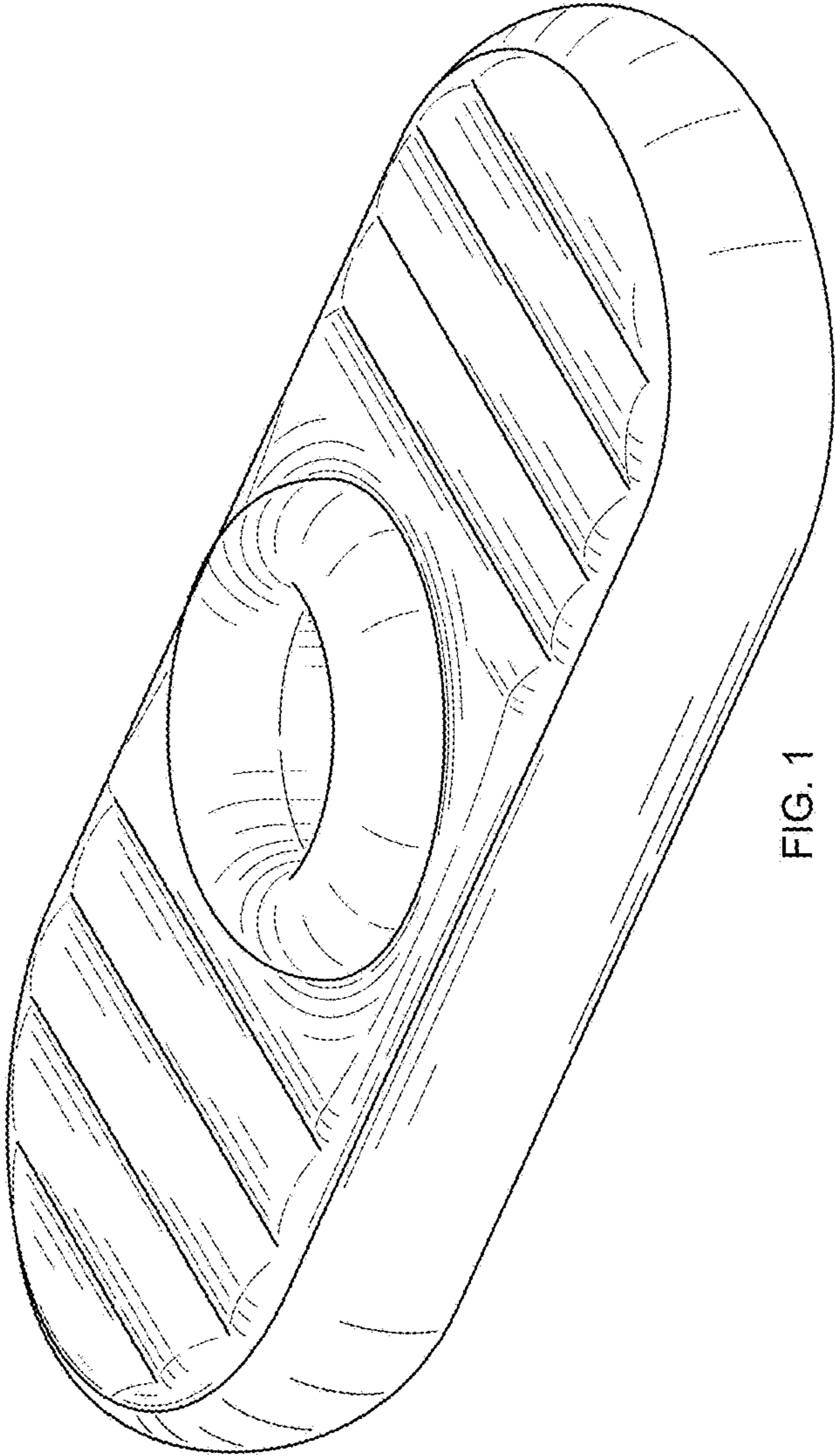


FIG. 1

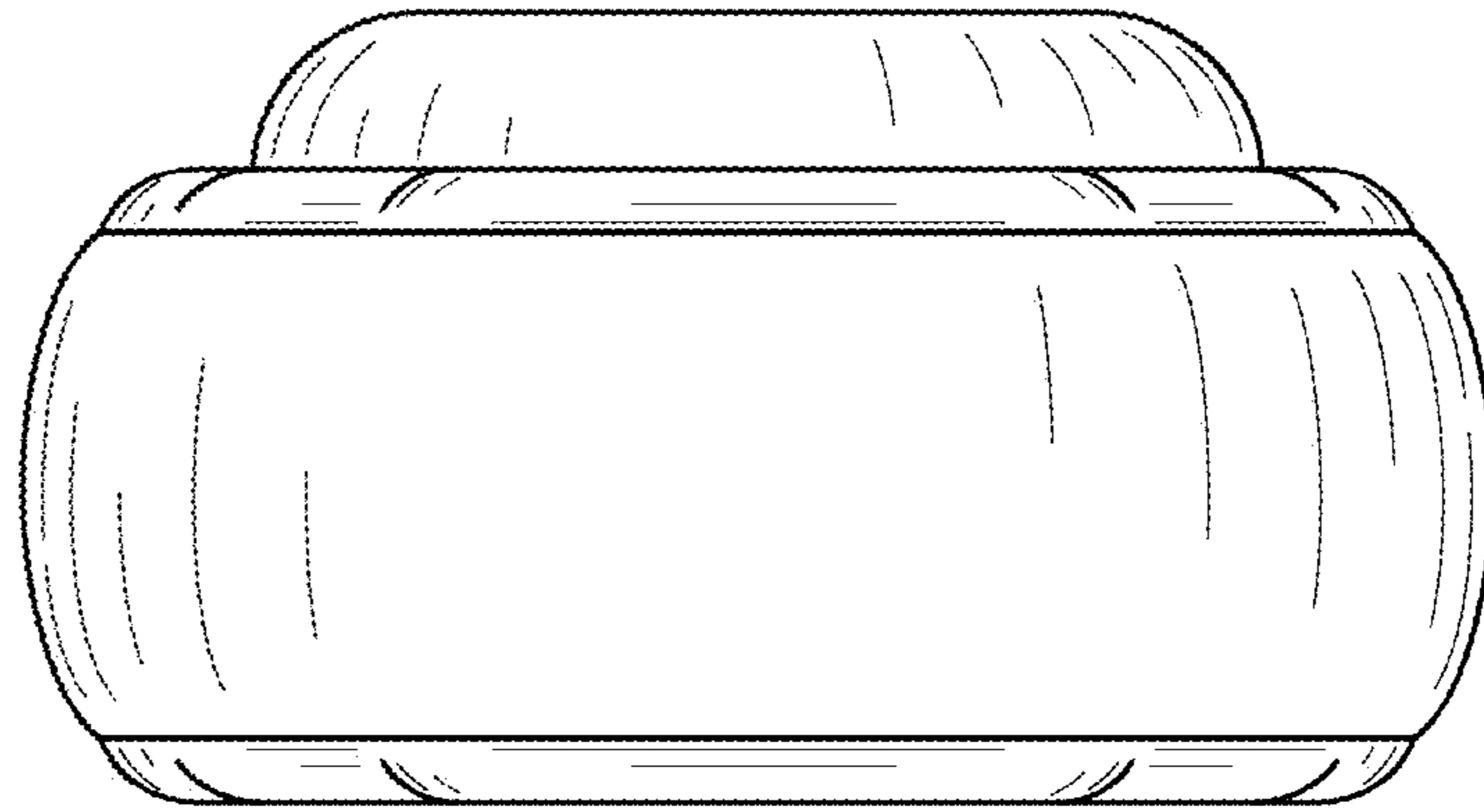


FIG. 2

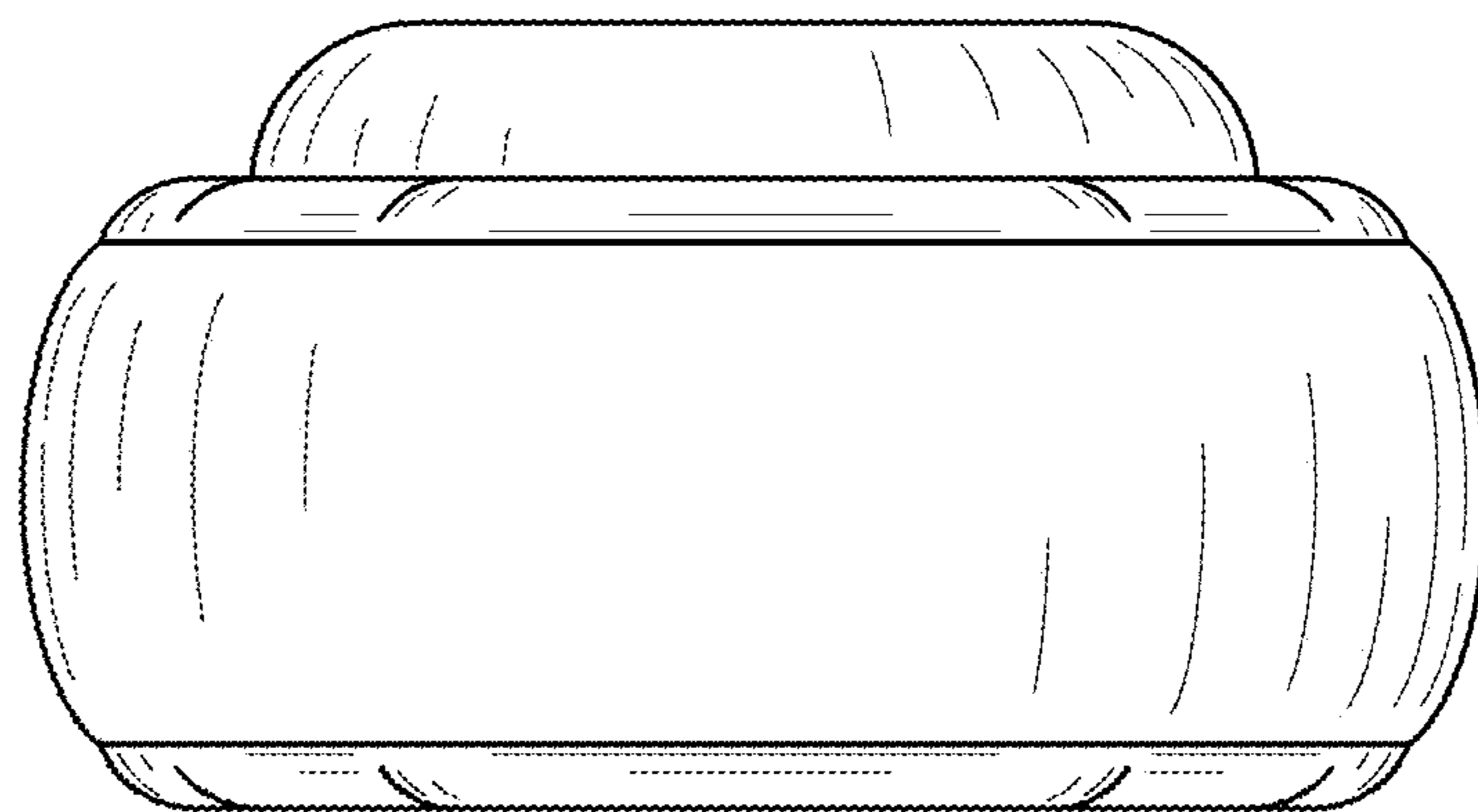


FIG. 3

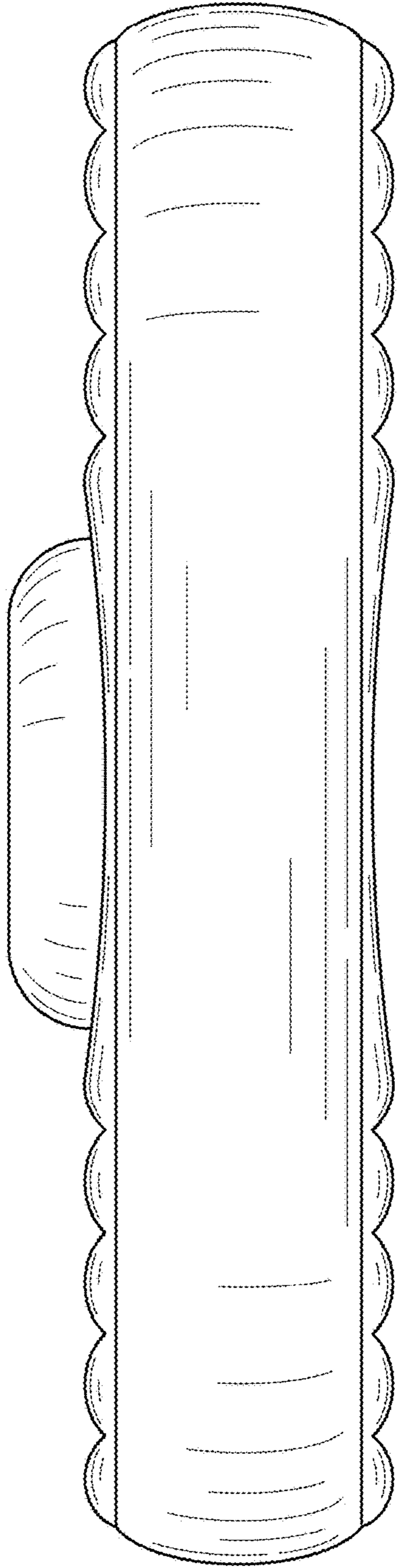


FIG. 4

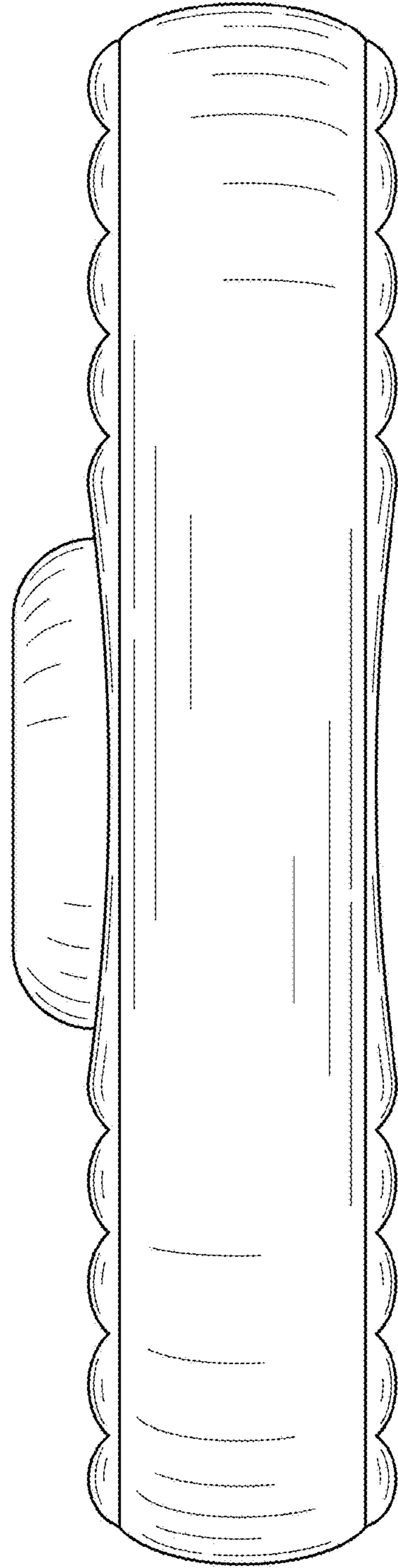


FIG. 5

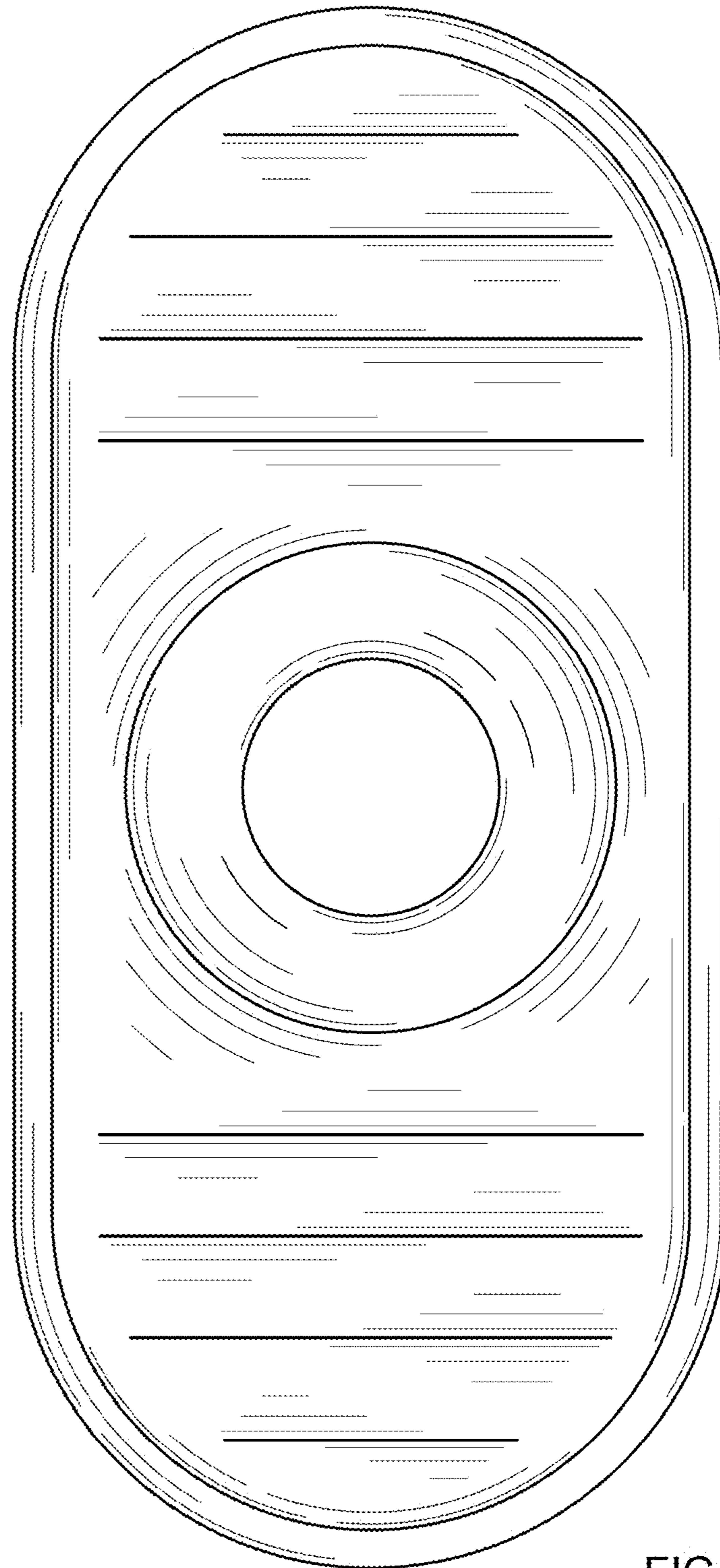


FIG. 6

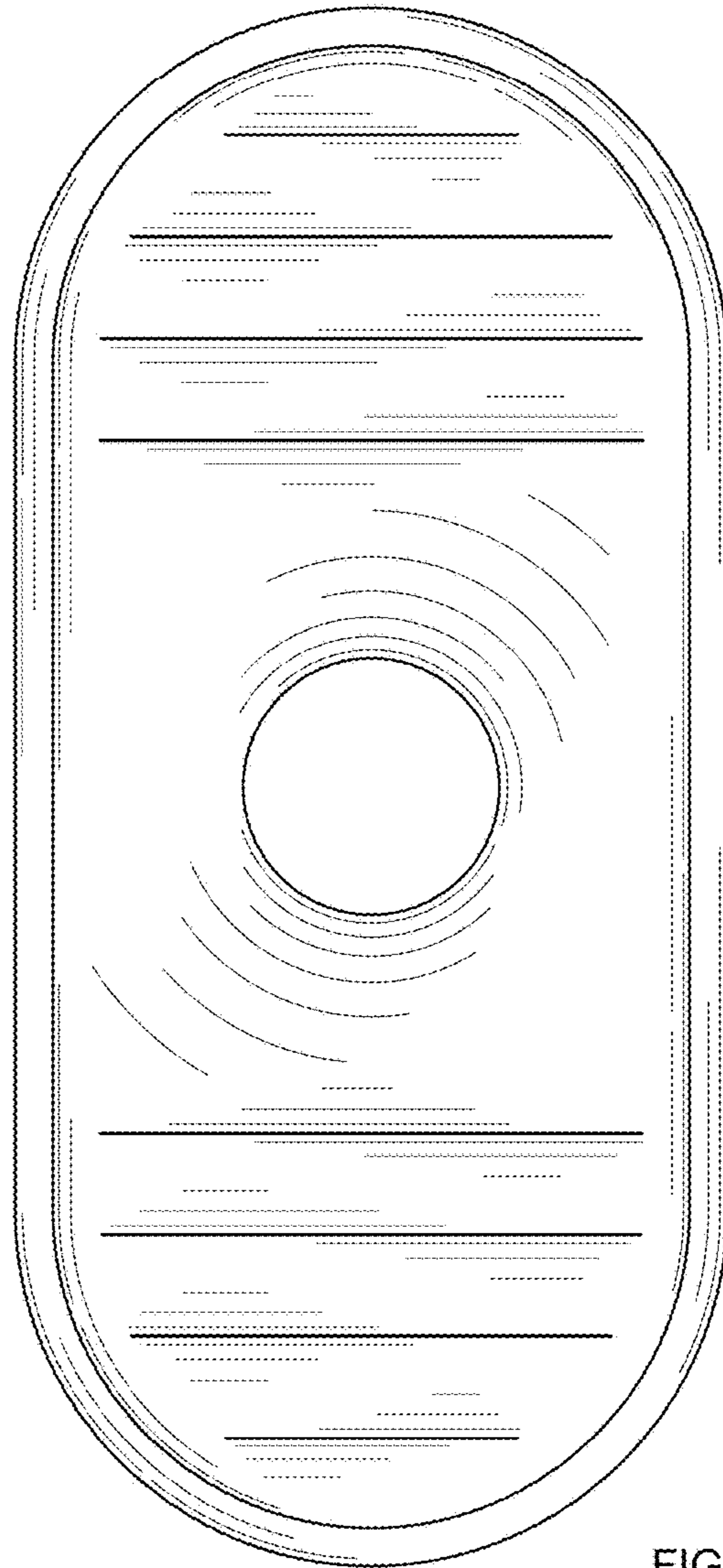


FIG. 7