



US00D807075S

(12) **United States Design Patent**
Ou

(10) **Patent No.:** **US D807,075 S**
(45) **Date of Patent:** **** Jan. 9, 2018**

- (54) **SOFA**
- (71) Applicant: **Jinfeng Ou**, Foshan (CN)
- (72) Inventor: **Jinfeng Ou**, Foshan (CN)
- (**) Term: **15 Years**
- (21) Appl. No.: **29/588,784**
- (22) Filed: **Dec. 22, 2016**
- (51) **LOC (11) Cl.** **06-01**
- (52) **U.S. Cl.**
USPC **D6/381**
- (58) **Field of Classification Search**
USPC D6/334, 335, 336, 360, 361, 367, 368,
D6/371-375, 379-381, 716, 716.1-716.8
CPC A47C 7/00; A47C 7/62; A47C 7/18; A47C
7/54; A47C 4/00; A47C 4/028; A47C
4/28; A47C 3/16; A47C 3/04; A47C 3/12;
A47C 1/02; A47C 1/14
See application file for complete search history.

D487,998 S *	4/2004	Natuzzi	D6/335
D502,614 S *	3/2005	Tapinassi	D6/381
D526,808 S *	8/2006	Nastri	D6/381
D541,546 S *	5/2007	Natuzzi	D6/381
D597,761 S *	8/2009	Natuzzi	D6/381
D702,961 S *	4/2014	Natuzzi	D6/381
D719,758 S *	12/2014	Sonmez	D6/381
D720,151 S *	12/2014	Sonmez	D6/381
D720,945 S *	1/2015	Sonmez	D6/334
D737,588 S *	9/2015	Lenhart	D6/373
D753,408 S *	4/2016	Lade	D6/381

* cited by examiner

Primary Examiner — Deanna L Pratt

(57) **CLAIM**

The ornamental design for a sofa, as shown and described.

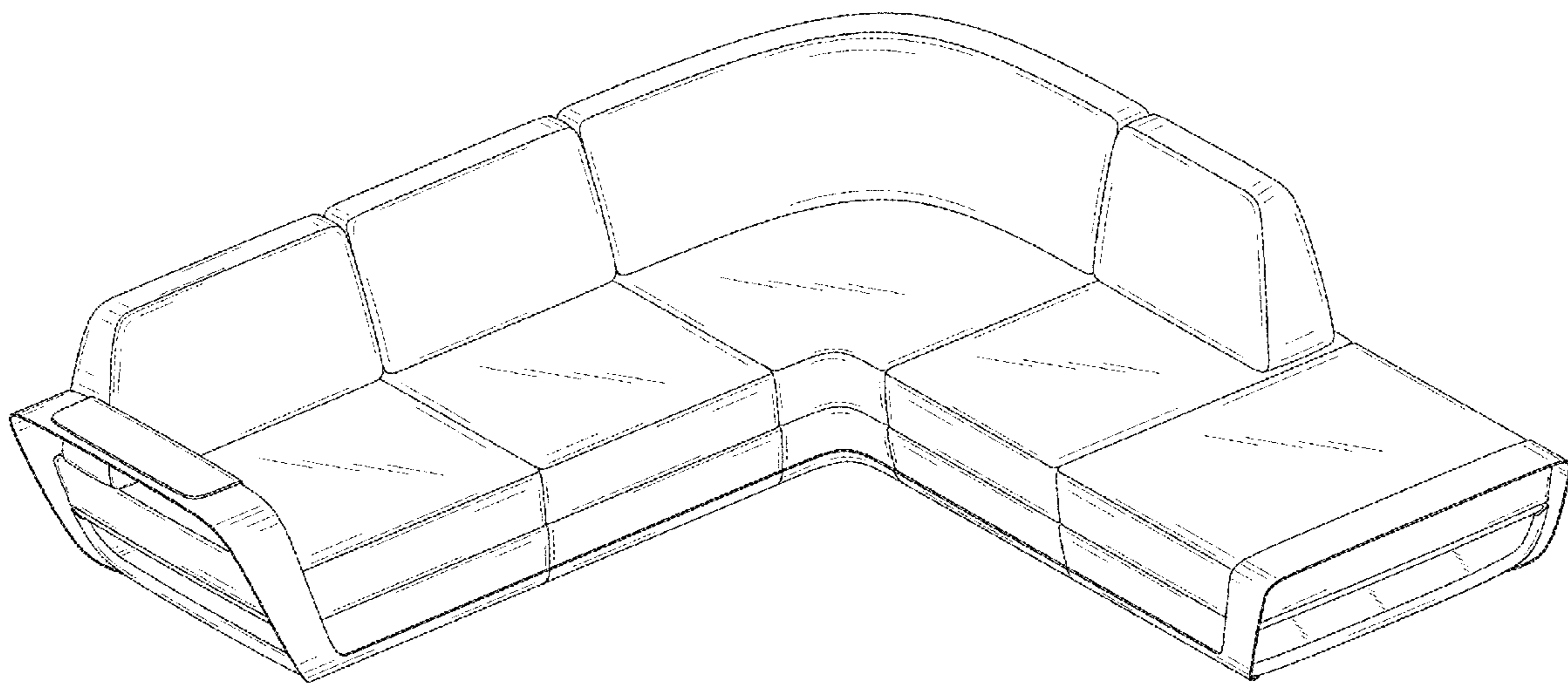
DESCRIPTION

FIG. 1 is a front view of the sofa showing our new design;
 FIG. 2 is a back view thereof;
 FIG. 3 is a left side view thereof;
 FIG. 4 is a right side view thereof;
 FIG. 5 is a top view thereof;
 FIG. 6 is a bottom view thereof;
 FIG. 7 is a top perspective view thereof; and,
 FIG. 8 is a bottom perspective view thereof.

1 Claim, 6 Drawing Sheets

(56) **References Cited**
 U.S. PATENT DOCUMENTS

D477,472 S *	7/2003	Bauchet	D6/381
D487,978 S *	4/2004	Friedman	D6/335



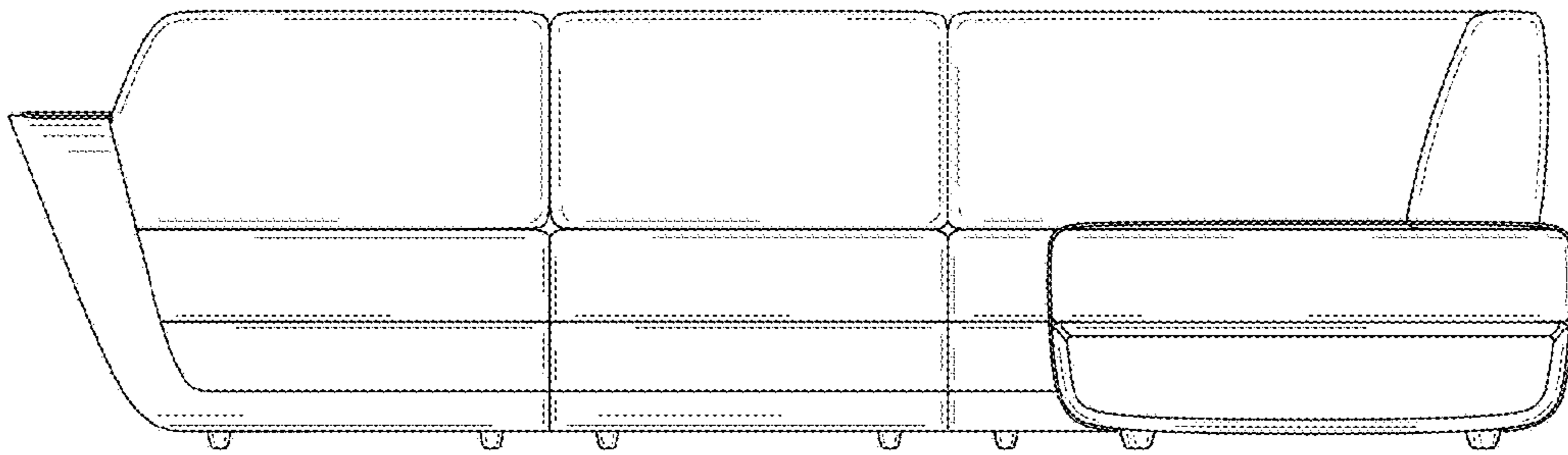


FIG.1

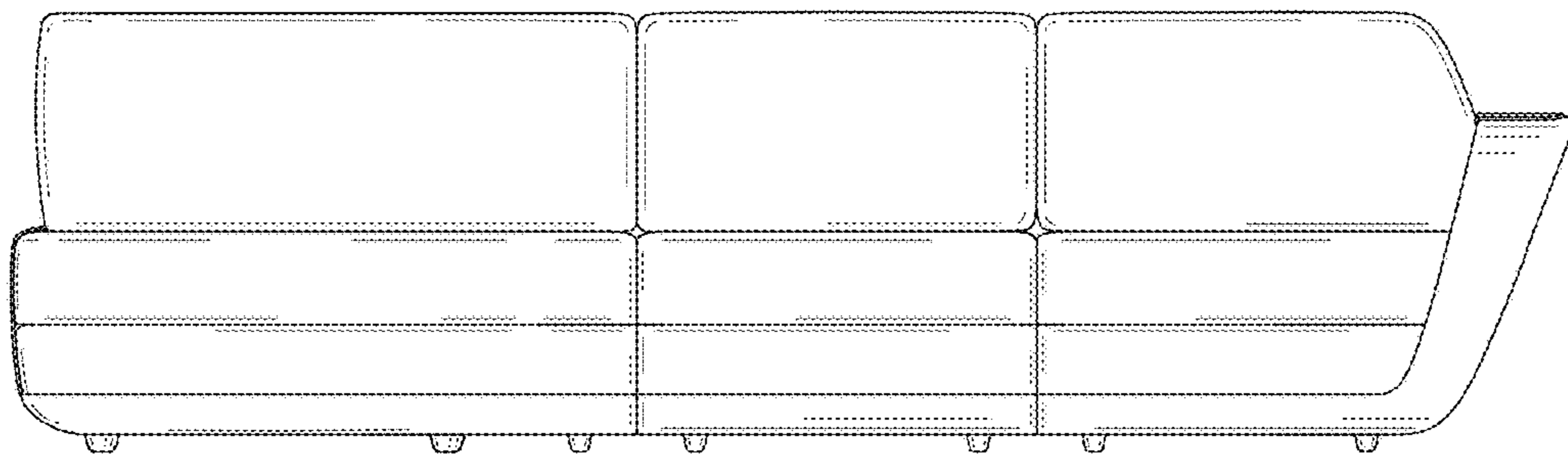


FIG.2

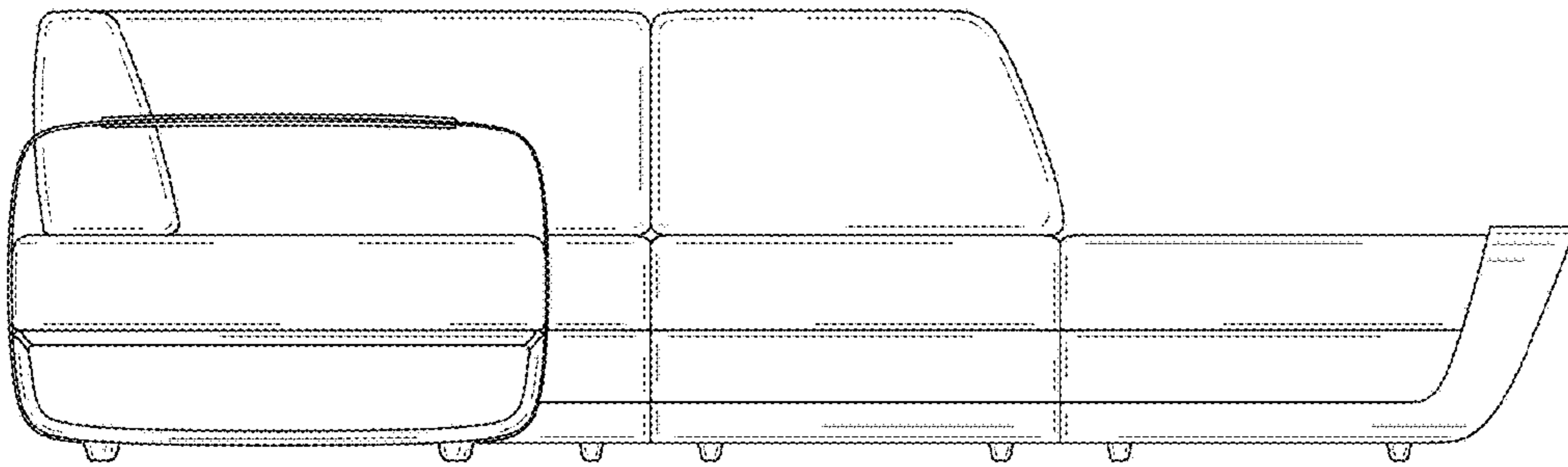


FIG.3

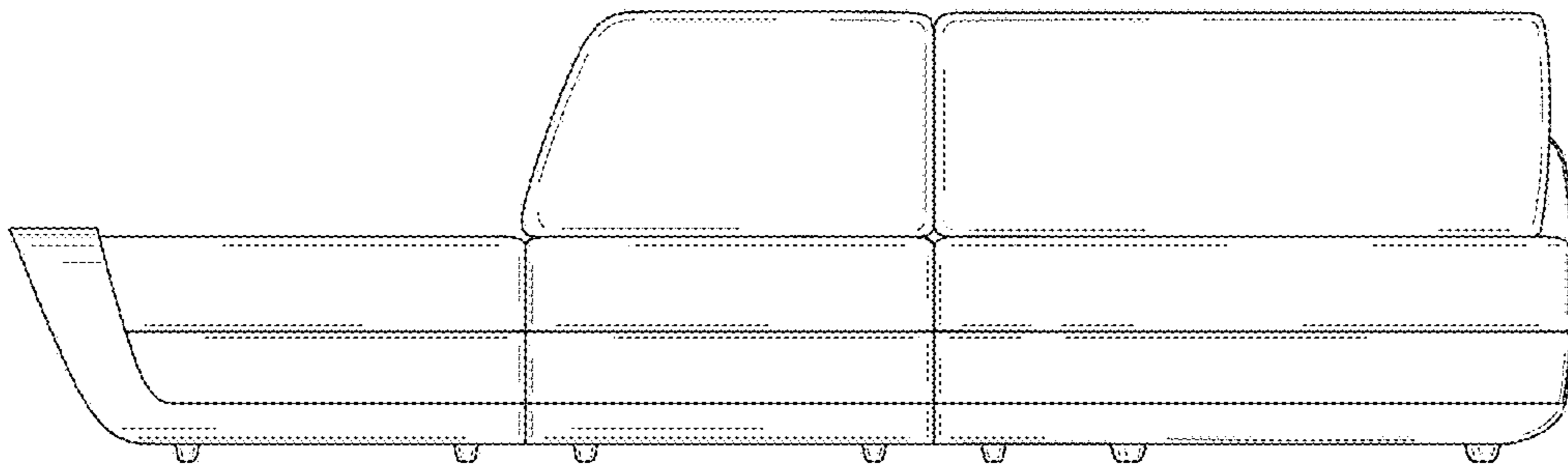


FIG.4

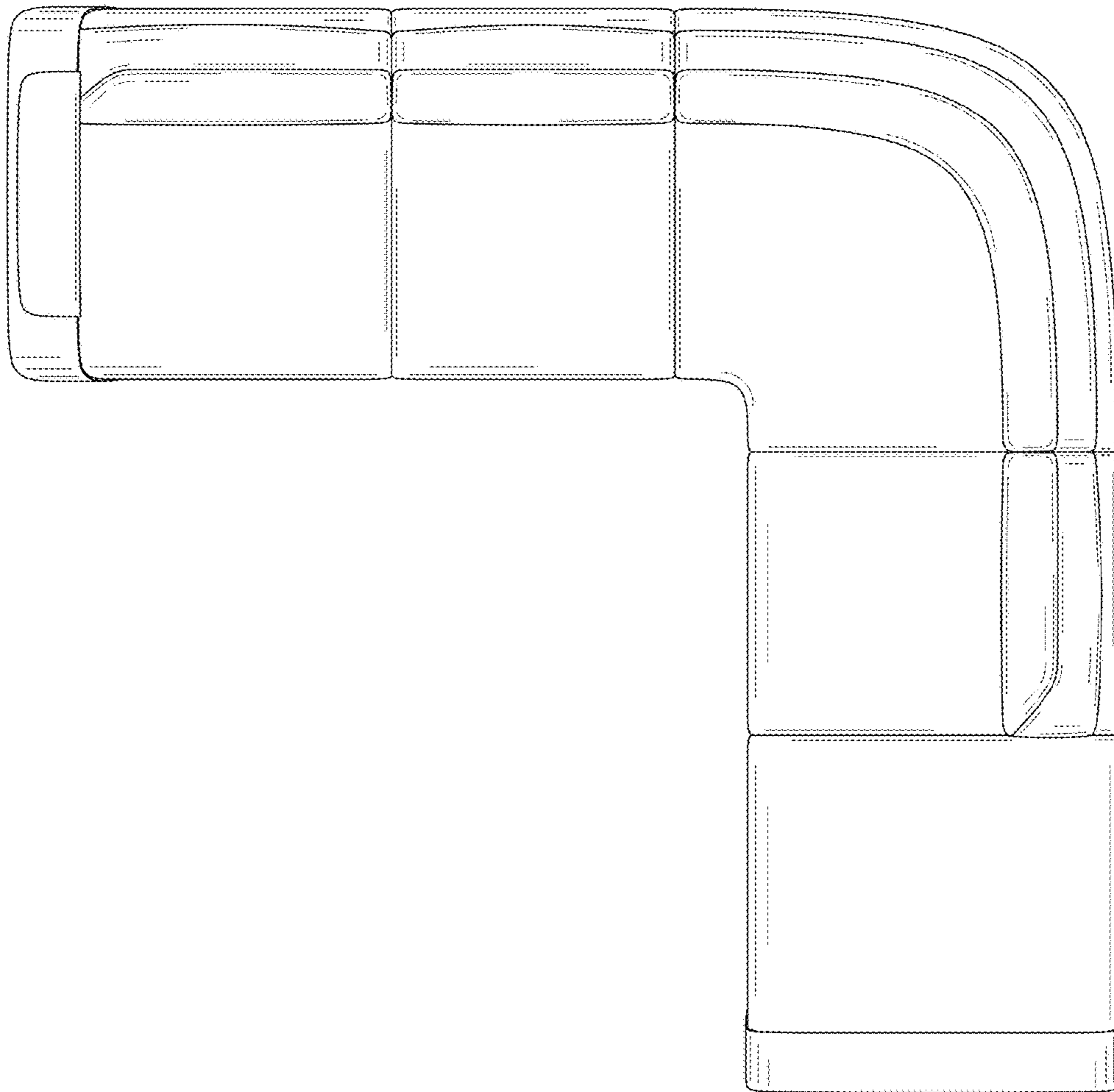


FIG. 5

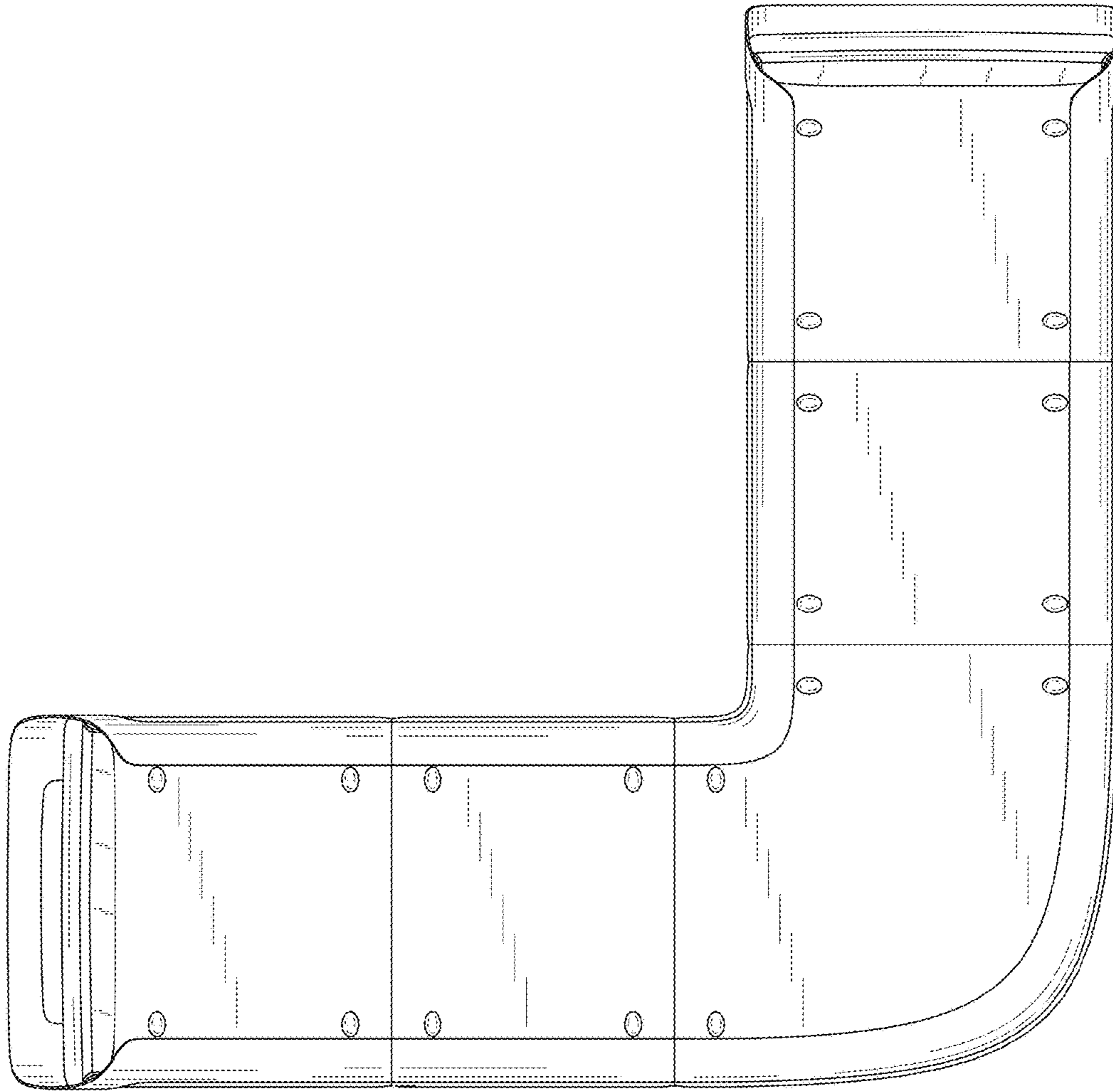


FIG.6

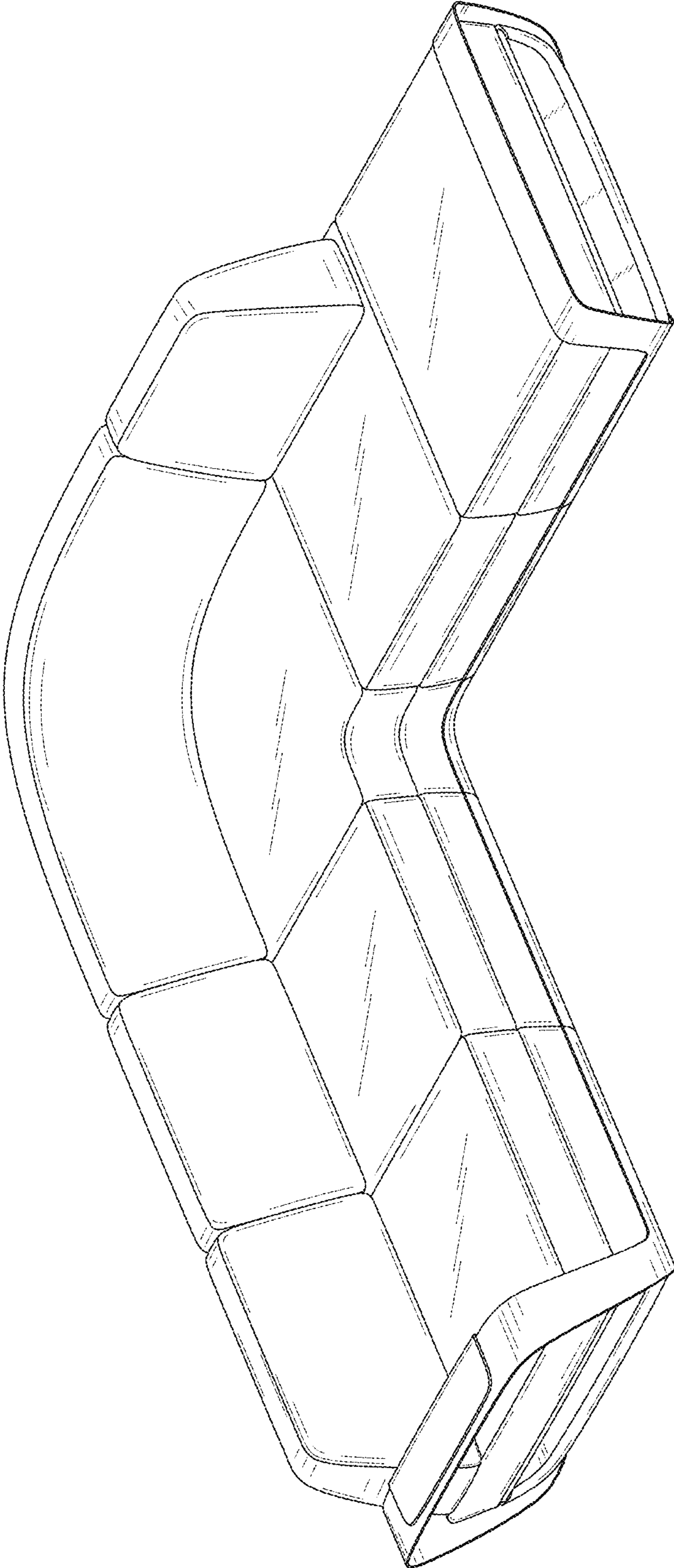


FIG.7

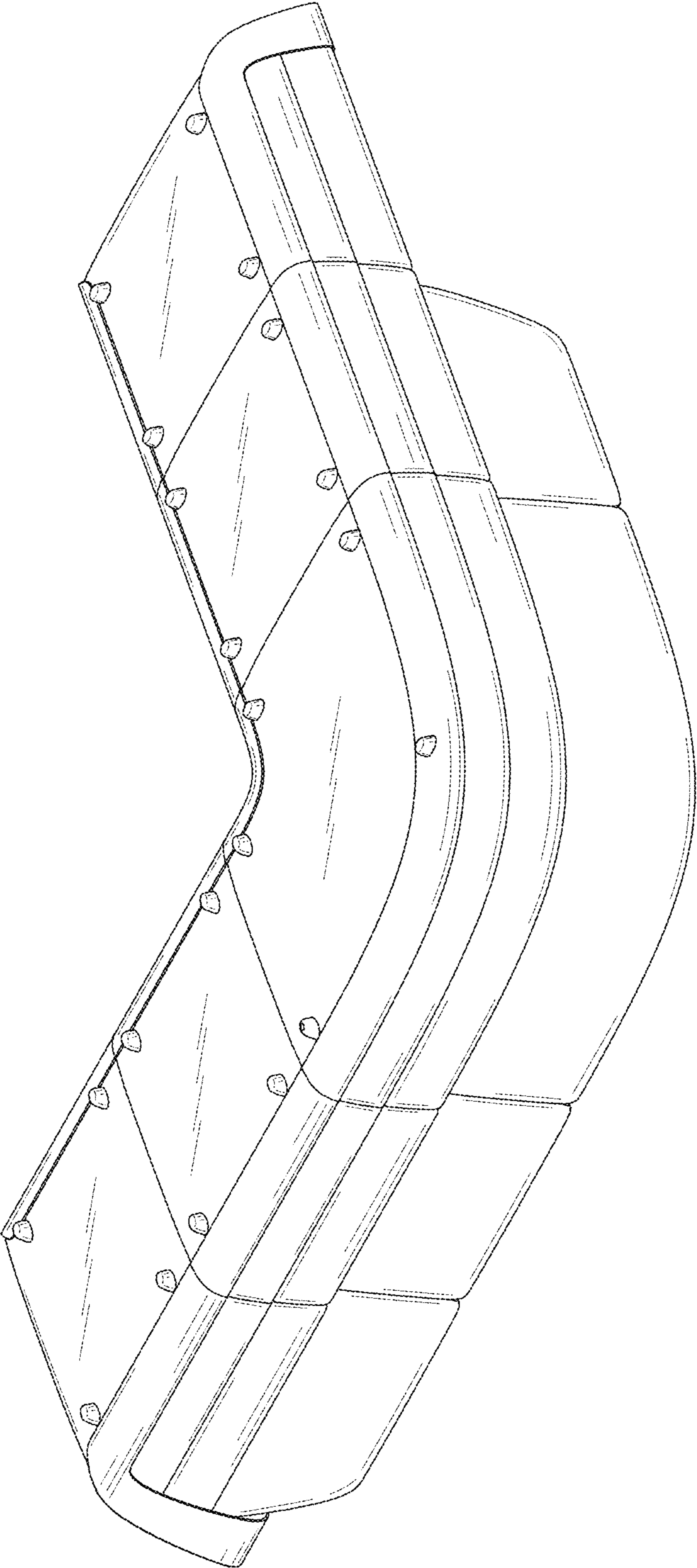


FIG.8