



US00D807073S

(12) **United States Design Patent**
Neil

(10) **Patent No.:** **US D807,073 S**
(45) **Date of Patent:** **** Jan. 9, 2018**

(54) **CHAIR**

(71) Applicant: **Gary Neil**, Mississauga (CA)

(72) Inventor: **Gary Neil**, Mississauga (CA)

(73) Assignee: **Allseating Corporation**, Mississauga, Ontario

(**) Term: **15 Years**

(21) Appl. No.: **29/567,923**

(22) Filed: **Jun. 14, 2016**

(30) **Foreign Application Priority Data**

Jun. 8, 2016 (CA) 168853

(51) **LOC (11) Cl.** **06-01**

(52) **U.S. Cl.**
USPC **D6/379**

(58) **Field of Classification Search**
USPC D6/334, 349-350, 364-368, 374, 375, D6/379, 380, 403, 405, 406.6, 654-654.1, D6/678-678.2, 682.1-682.6, 684-686, D6/691, 691.8-691.9, 698, 699, 705, D6/705.5, 707.19, 708, 708.21, 716; 297/284.4, 452.18, 452.24, 452.26, 297/452.28, 452.32-33, 452.37
CPC A47C 7/02; A47C 7/44; A47C 7/46; A47C 7/48; A47C 7/54; A47C 7/386; A47C 7/462; A47C 1/10; A47C 1/031; B60N 2/02; B60N 2/22; B60N 2/44
See application file for complete search history.

(56) **References Cited**

U.S. PATENT DOCUMENTS

D540,559 S * 4/2007 Neil D6/376
D543,373 S * 5/2007 Schweikarth D6/379
D566,413 S * 4/2008 Huang D6/379

D587,477 S * 3/2009 Neil D6/379
D601,822 S * 10/2009 Neil D6/374
D654,718 S * 2/2012 Schweikarth D6/379
D655,527 S * 3/2012 Pillet D6/374
D655,528 S * 3/2012 Neil D6/379
D686,010 S * 7/2013 Cramer D6/379
D696,038 S * 12/2013 Schweikarth D6/379
D741,078 S * 10/2015 Chiaramonte D6/375
D770,193 S * 11/2016 Duvigneau D6/369
D776,448 S * 1/2017 Pevere D6/375
D776,449 S * 1/2017 Lucidi D6/375
D779,223 S * 2/2017 Duvigneau D6/374
D787,216 S * 5/2017 Pillet D6/375

OTHER PUBLICATIONS

OEC Office Furniture [online] found Jul. 27, 2017 from URL <http://www.oecbi.com/office-furniture/office-chairs/stackable-chairs/zoma/>.*

* cited by examiner

Primary Examiner — Manpreet Matharu

Assistant Examiner — Keith Wilson

(74) *Attorney, Agent, or Firm* — Lorelei G. Graham

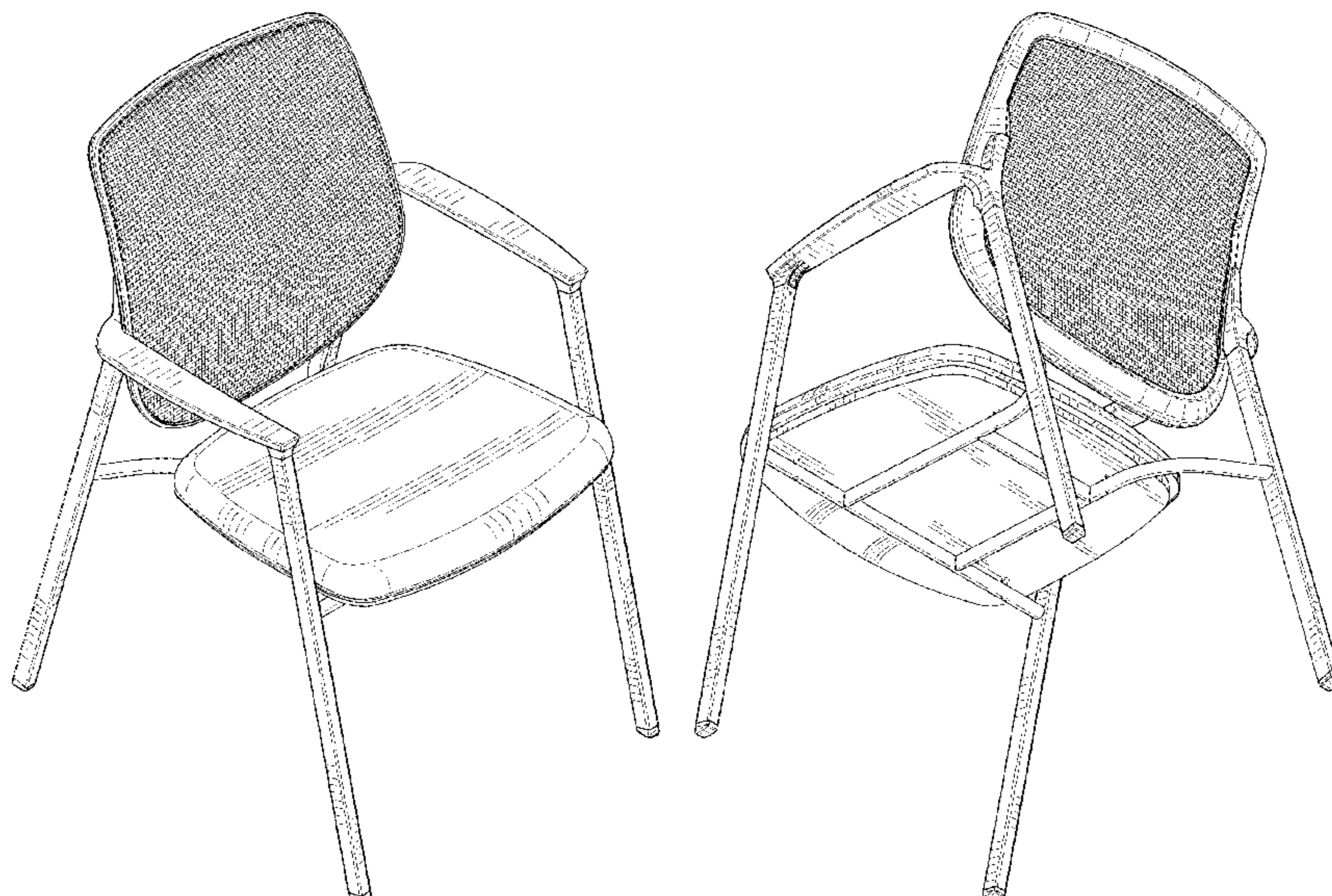
(57) **CLAIM**

The ornamental design for the chair, as shown and described.

DESCRIPTION

FIG. 1 is a front perspective view of the chair.
FIG. 2 is a back perspective view of the chair.
FIG. 3 is a right side view of the chair.
FIG. 4 is a front view of the chair.
FIG. 5 is a left side view of the chair.
FIG. 6 is a back view of the chair.
FIG. 7 is a top view of the chair; and,
FIG. 8 is a bottom view of the chair.
The portions in dashed lines do not form part of the design.

1 Claim, 4 Drawing Sheets



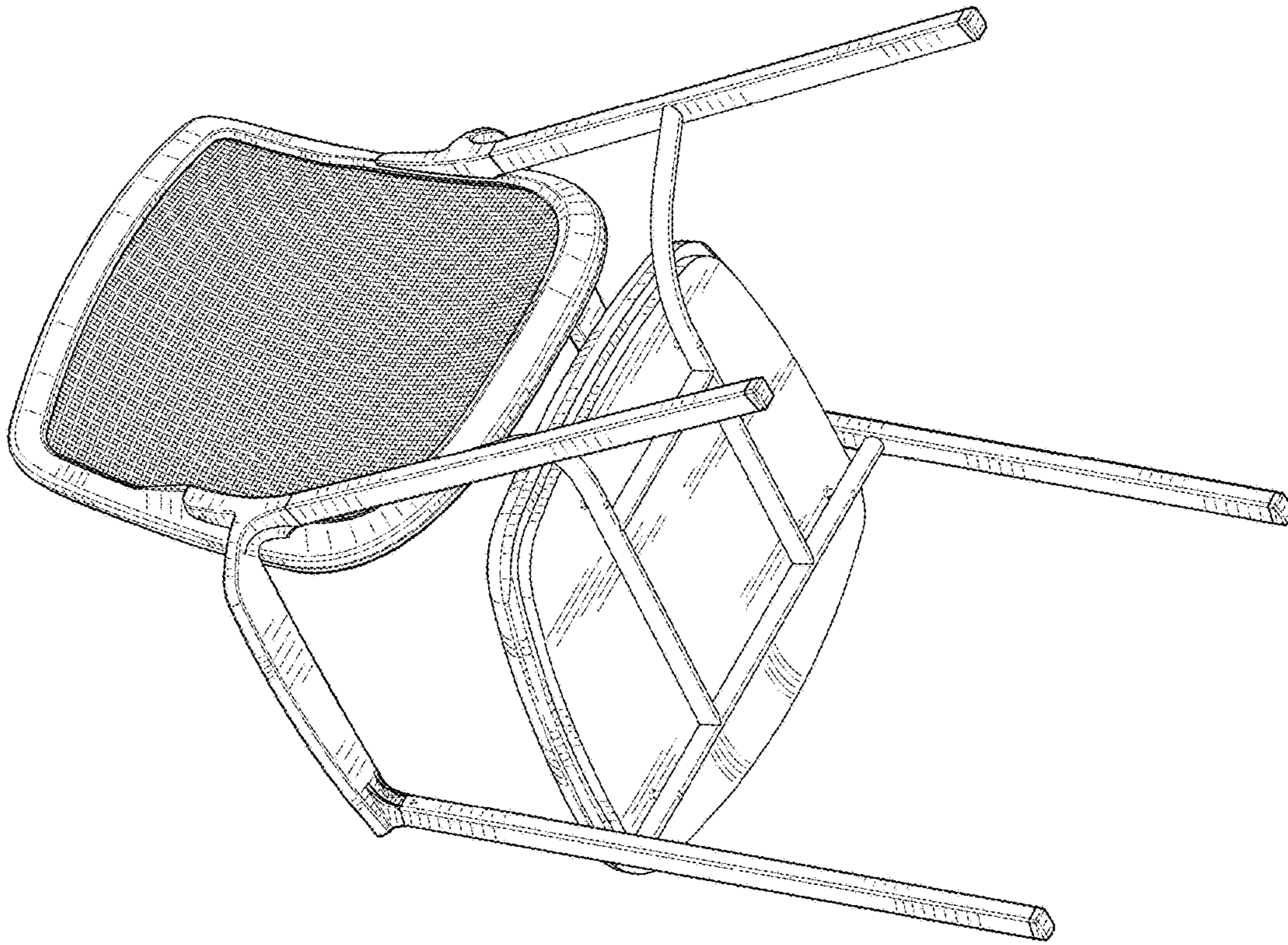


FIG. 1

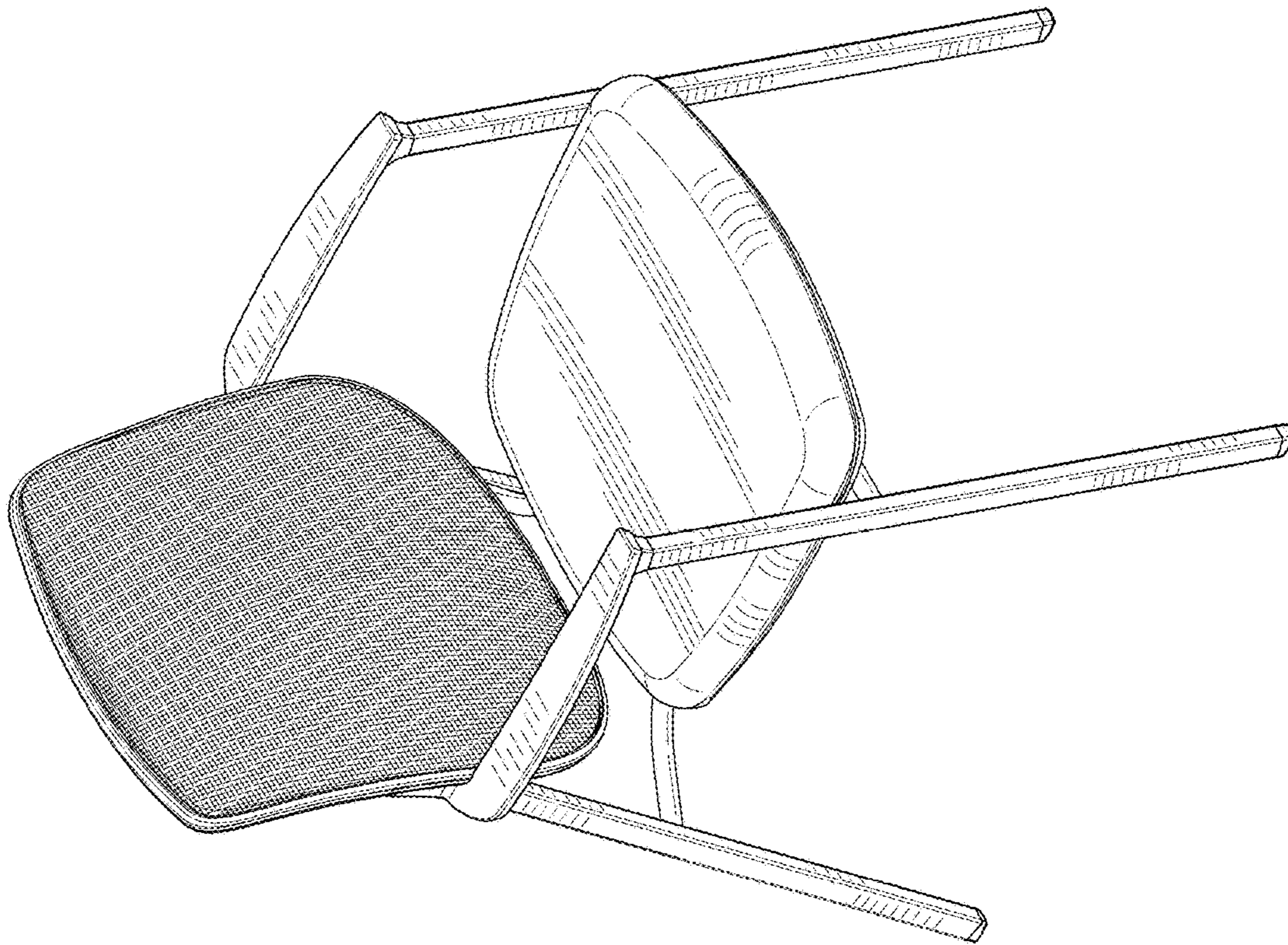


FIG. 2

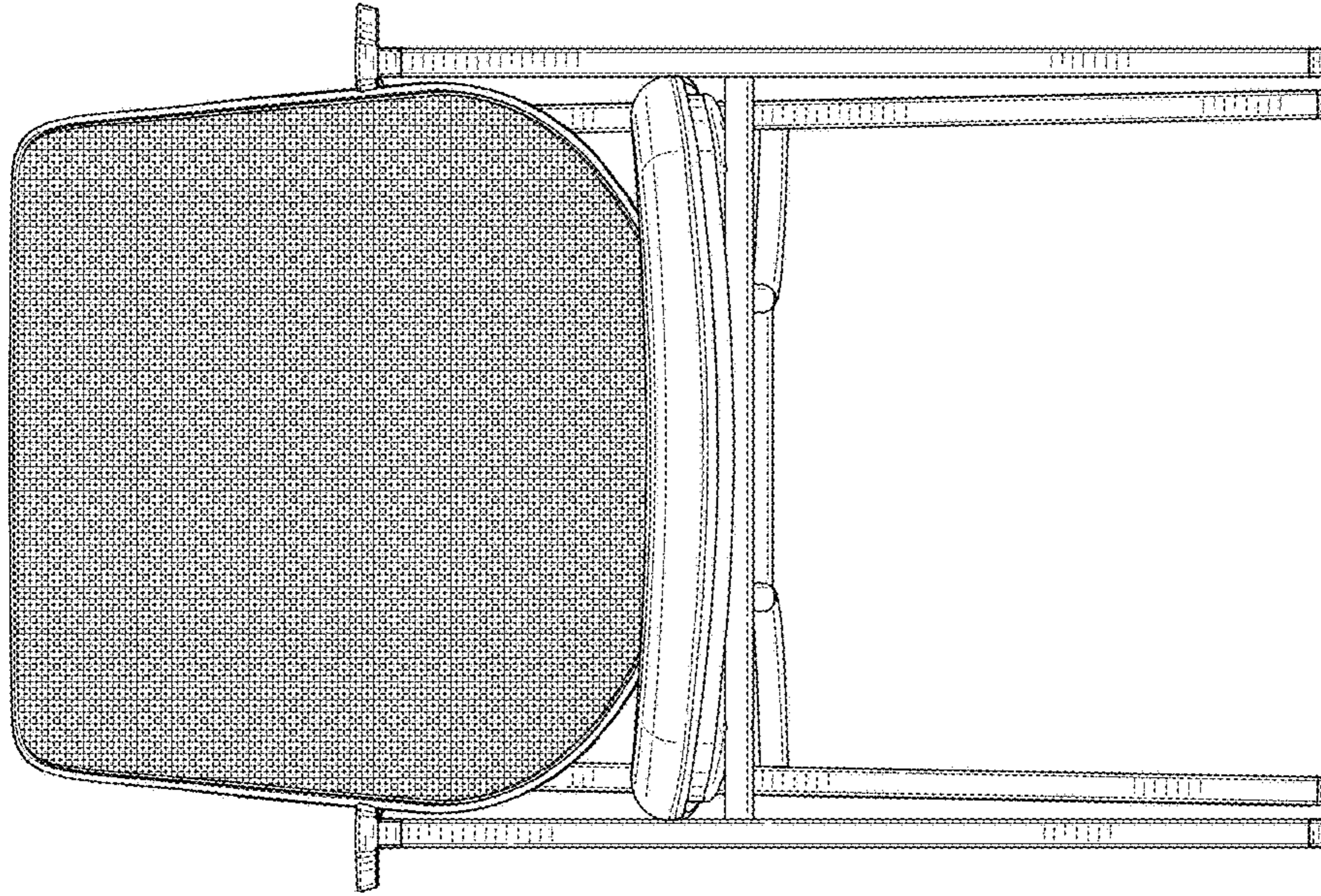


FIG. 4

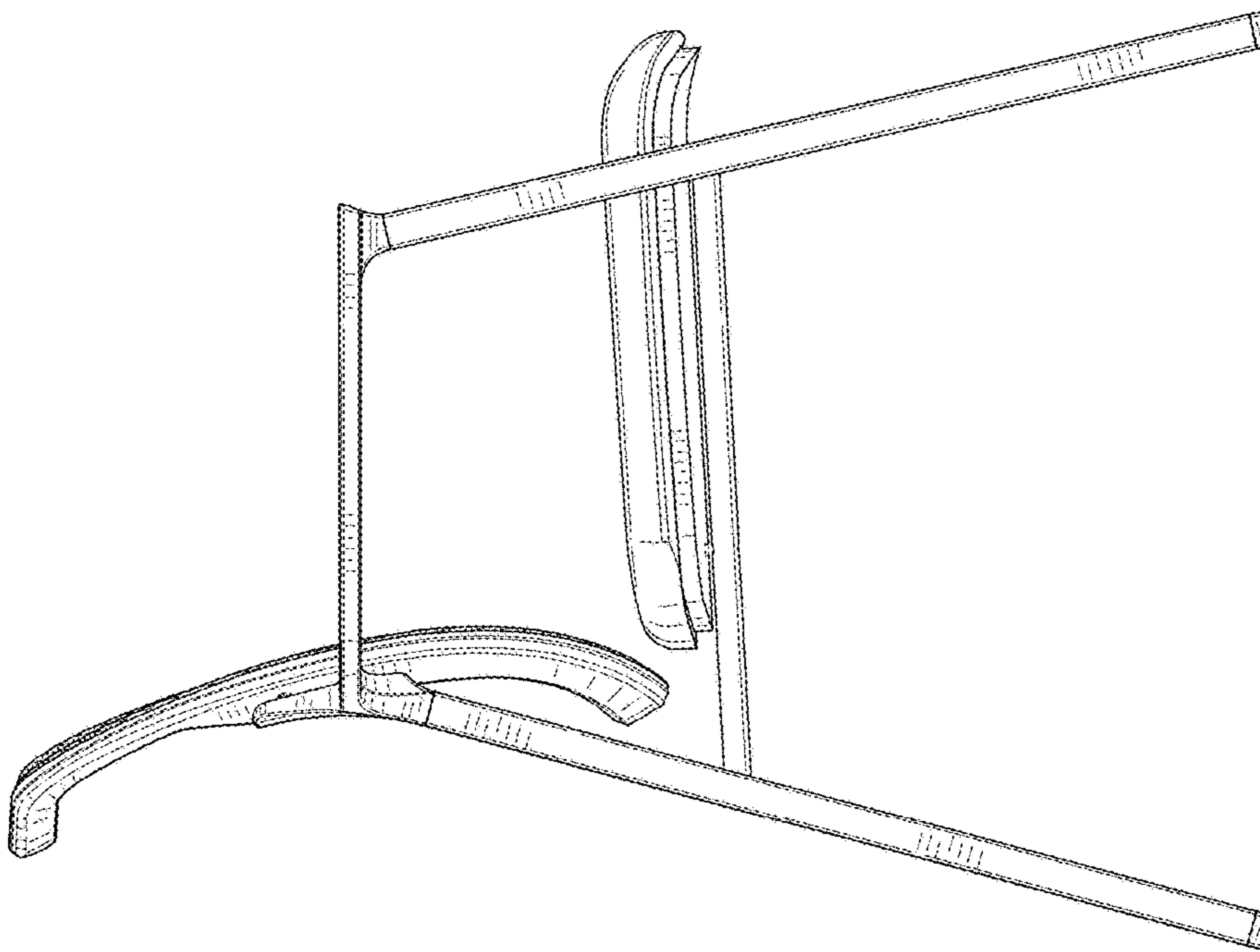


FIG. 3

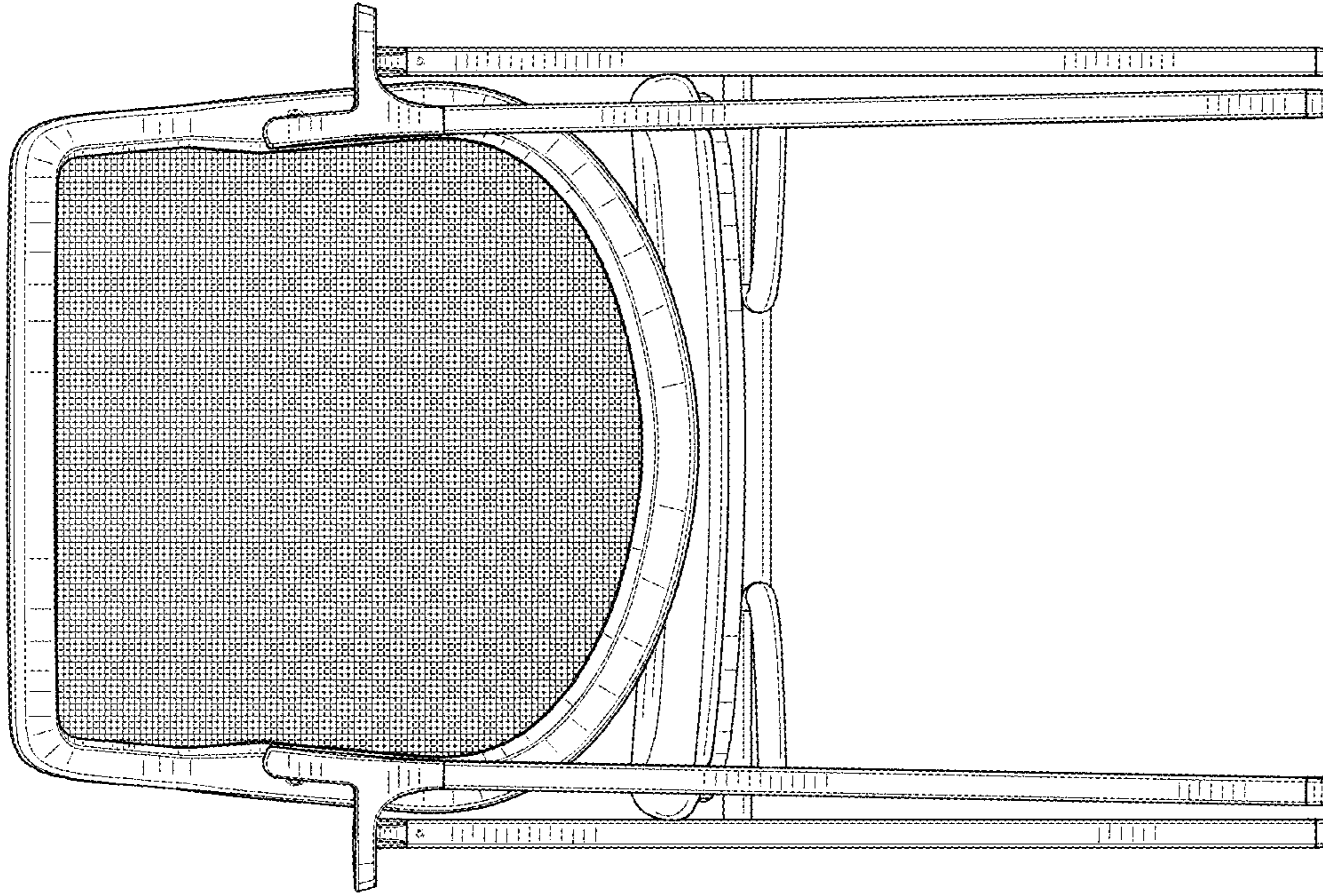


FIG. 6

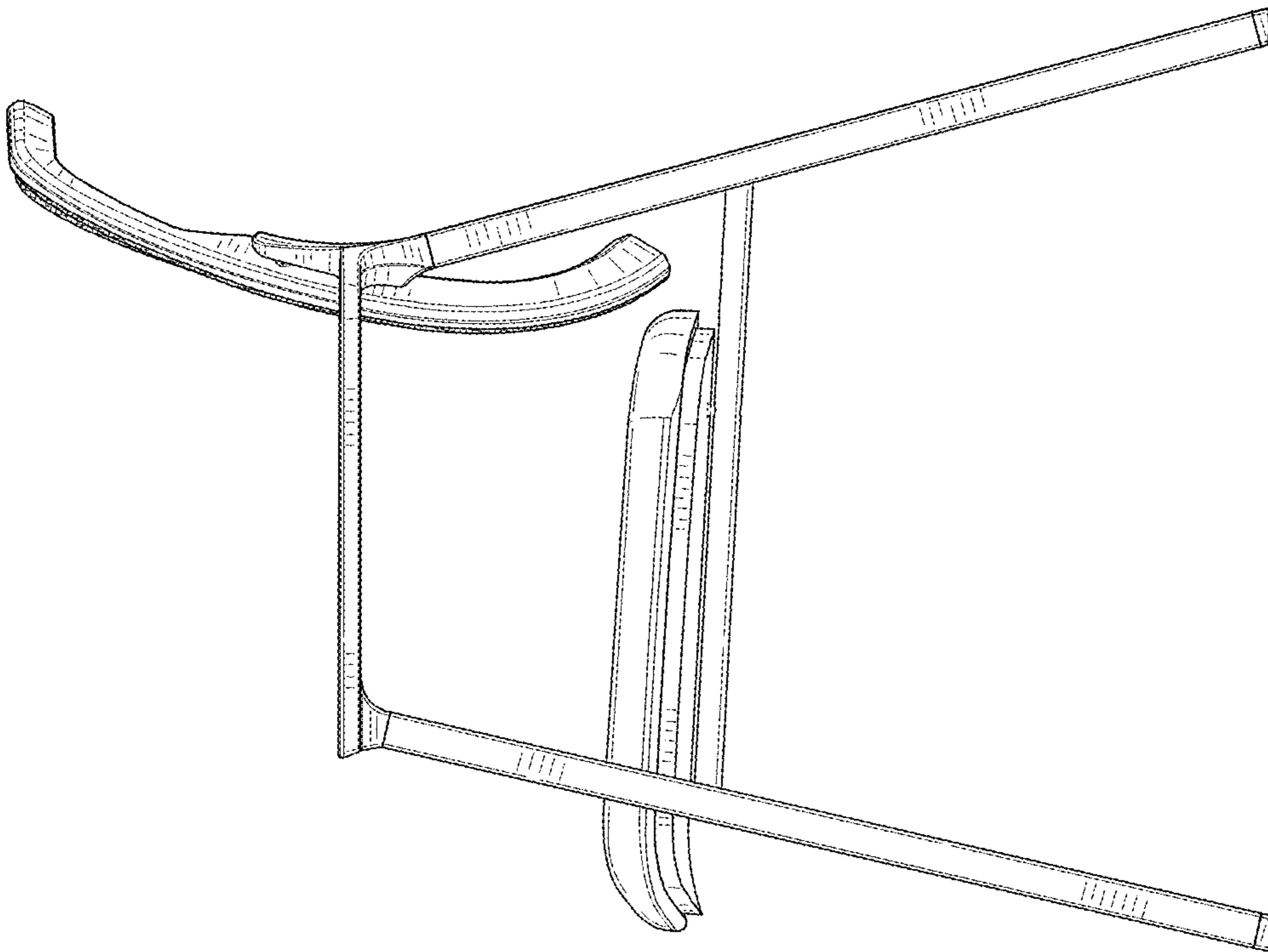


FIG. 5

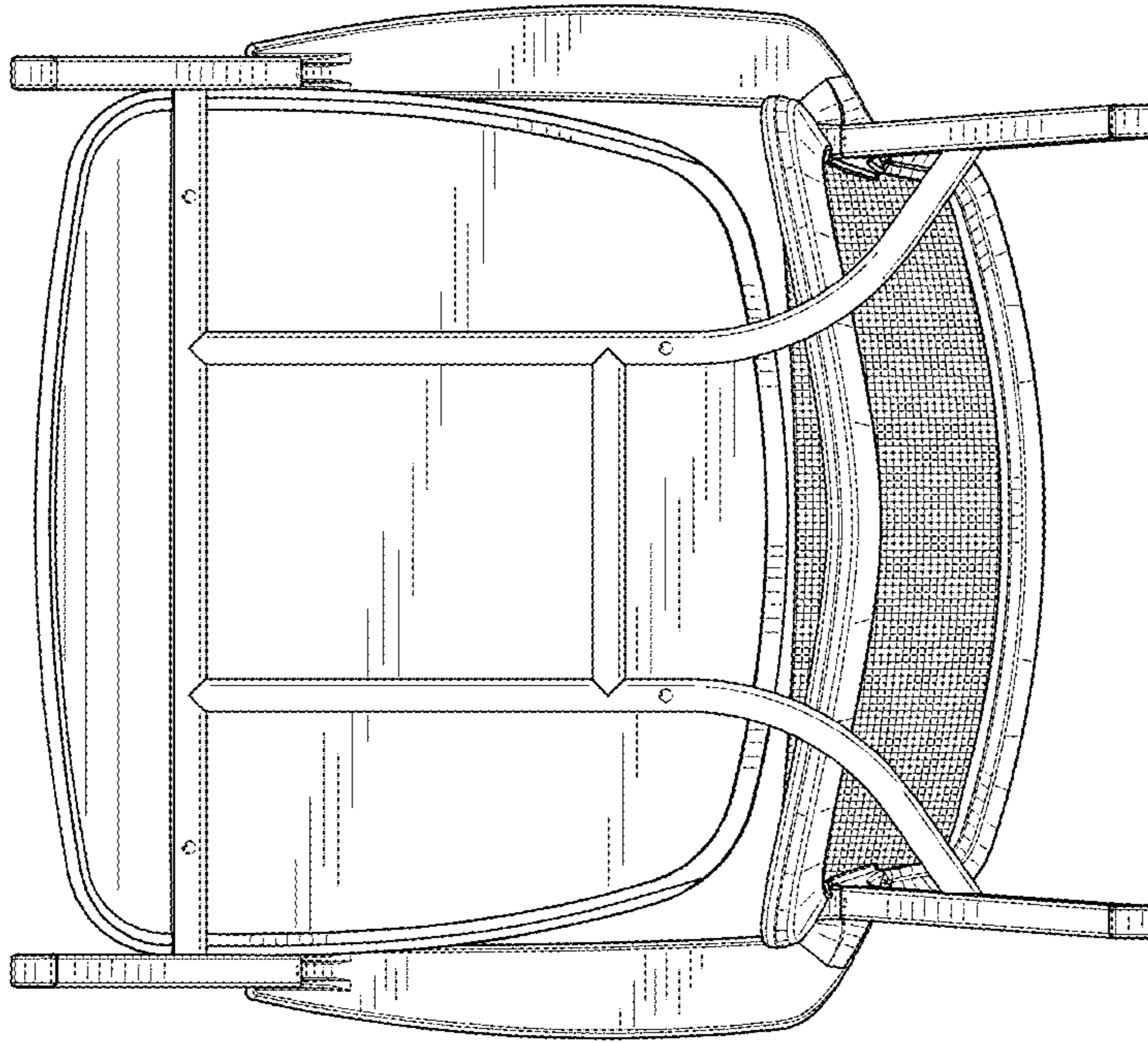


FIG. 8

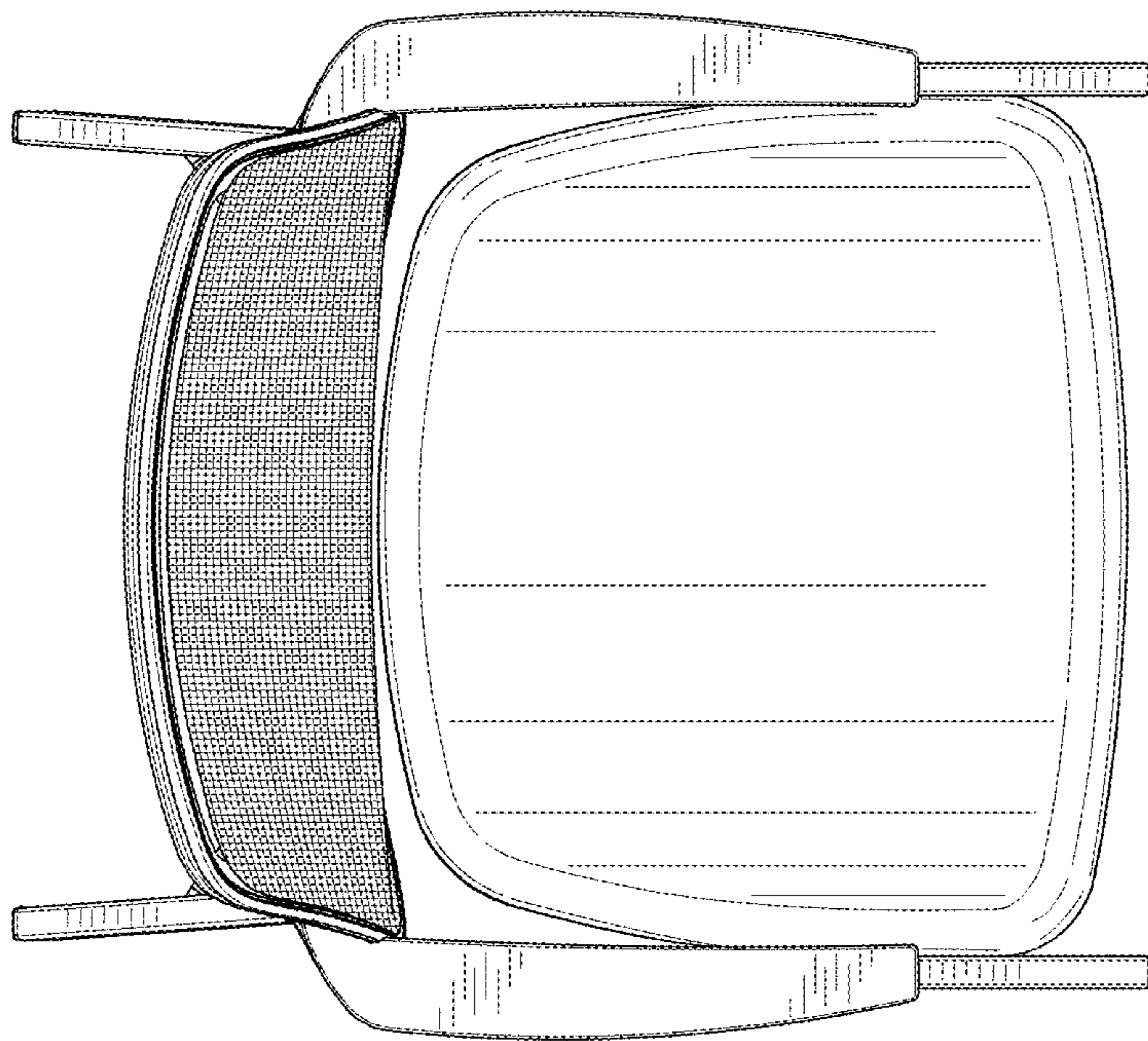


FIG. 7