



US00D807069S

(12) **United States Design Patent**
Konghe

(10) **Patent No.:** **US D807,069 S**

(45) **Date of Patent:** **** Jan. 9, 2018**

(54) **TOILET STOOL**

(71) Applicants: **Ben Zioni**, Los Angeles, CA (US);
Yaniv Zioni, Los Angeles, CA (US)

(72) Inventor: **Zhu Konghe**, Taizhou (CN)

(**) Term: **15 Years**

(21) Appl. No.: **29/546,100**

(22) Filed: **Nov. 18, 2015**

(30) **Foreign Application Priority Data**

Jun. 2, 2015 (CN) 2015 3 0175260

(51) **LOC (11) Cl.** **06-01**

(52) **U.S. Cl.**
USPC **D6/349**

(58) **Field of Classification Search**
USPC D6/334, 349–355, 363, 360, 368, 374,
D6/403, 405, 685, 688.17, 693–693.3,
D6/695, 708, 708.15–708.25, 709.11;
D25/62–65

CPC A47C 9/00–9/105; A47C 7/00–7/02; A47C
16/00–16/04; A47B 7/00–7/02; A47B
3/00; A47B 3/02; A47B 3/04; A47B 3/12

See application file for complete search history.

(56) **References Cited**

U.S. PATENT DOCUMENTS

D140,212 S *	1/1945	McLane	297/423.41
D148,632 S *	2/1948	Martin	297/423.41
2,834,028 A *	5/1958	Stanley	A47K 13/06 297/423.1
D192,218 S *	2/1962	Forsman	D6/349
D268,796 S *	5/1983	Kola	D6/349
4,713,846 A *	12/1987	Hodroski, Jr.	A47K 17/00 4/254
D297,789 S *	9/1988	Stepien	D6/349
5,028,024 A *	7/1991	Welles	A47K 17/028 248/163.1
D508,556 S *	8/2005	Palazzolo	D23/309

D629,627 S *	12/2010	Mylet	D6/349
D652,222 S *	1/2012	Edwards	D6/349
D668,472 S *	10/2012	Wong	D6/406.5
D677,478 S	3/2013	Edwards et al.	
D698,163 S *	1/2014	Edwards	D6/349
D705,554 S *	5/2014	Edwards	D6/349
D716,065 S *	10/2014	Hubbard, Jr.	D6/349
9,066,598 B1 *	6/2015	Sears	A47C 16/02
D749,330 S *	2/2016	Jahns	D6/349
9,307,879 B2 *	4/2016	Fagre	A47K 17/028
D764,188 S *	8/2016	Brown	D6/349

(Continued)

OTHER PUBLICATIONS

Snug StoolEase Detachable Toilet Stool—9 inch Bathroom Step (Grey). [online] Retrieved Jun. 12, 2017 from URL: <<https://www.amazon.com/>

Snug%C2%ADStoolEase%C2%ADDetachable%C2%ADToilet%C2%ADStool/dp/B01CQWQK5S/ref=as_li_ss_tl?s=hpc&ie=UTF8&qid=1469226663&sr=1%C2%AD1&keywords=s%E2%80%A6>.*

(Continued)

Primary Examiner — Vy N Koenig

(74) *Attorney, Agent, or Firm* — Payam Moradian

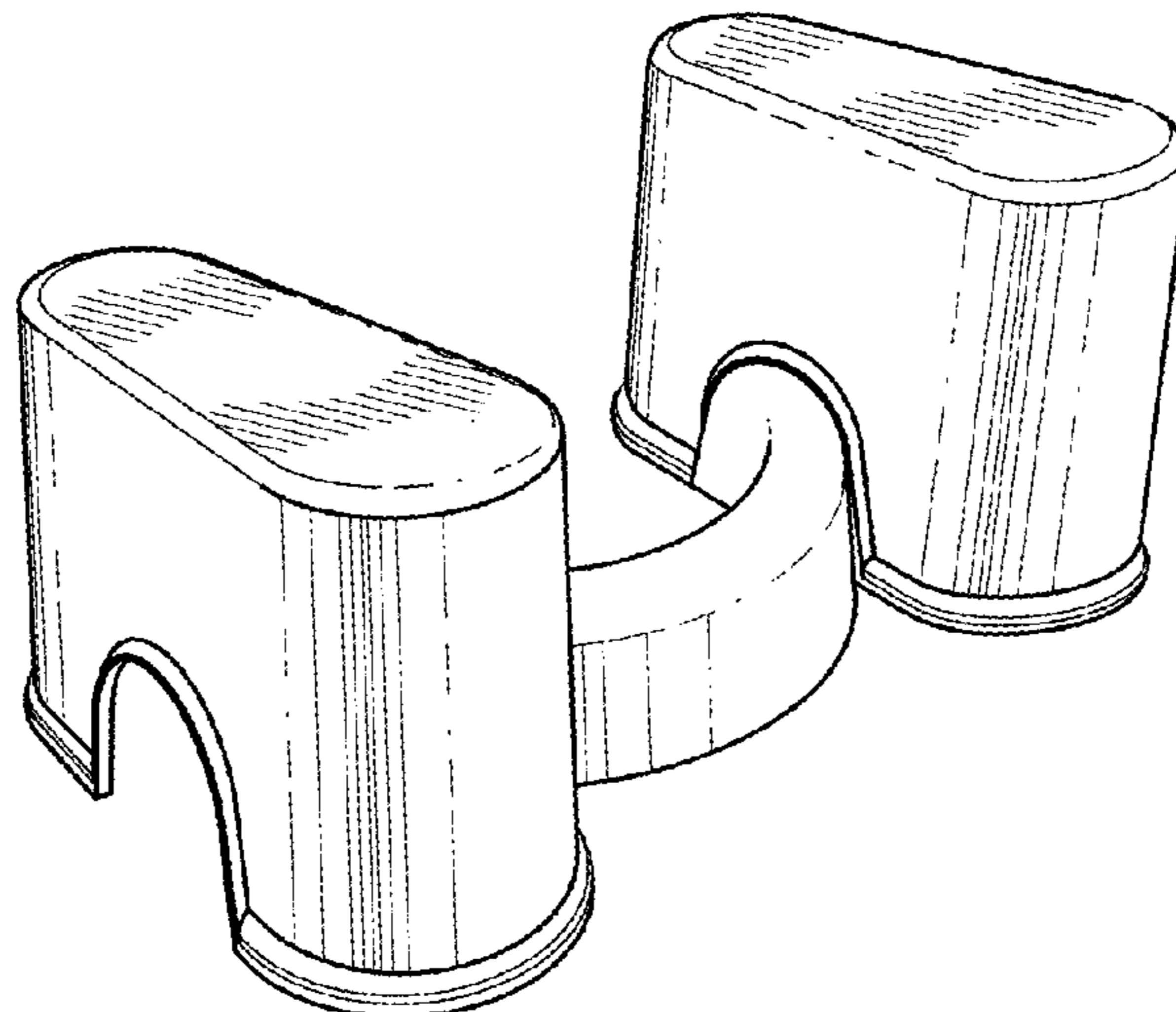
(57) **CLAIM**

The ornamental design for a toilet stool, as shown and described.

DESCRIPTION

FIG. 1 is a front right perspective view of a toilet stool; FIG. 2 is a front left perspective view thereof; FIG. 3 is a left side elevation view thereof; FIG. 4 is a right side elevation view thereof; FIG. 5 is a front elevation view thereof; FIG. 6 is a rear elevation view thereof; FIG. 7 is a top plan view thereof; FIG. 8 is a bottom plan view thereof; and, FIG. 9 is a cross sectional view along line 9-9 from FIG. 7.

1 Claim, 3 Drawing Sheets



(56)

References Cited

U.S. PATENT DOCUMENTS

D766,604 S * 9/2016 Edwards A47K 17/02
D6/353
D767,291 S * 9/2016 Edwards A47C 16/025
D6/353
D767,323 S * 9/2016 Kucinic D6/358
D785,351 S * 5/2017 D'Angelo D6/349
D787,846 S * 5/2017 Naik D6/353
2014/0123376 A1 5/2014 Edwards et al.

OTHER PUBLICATIONS

Removable Toilet Stool Non-slip Squat Toilet Tool Comfortable Squat Aid Stool Bowel Movements Crouch Hole Artifact 2016 New. [online] Retrieved Jun. 12, 2017 from URL: <<https://www.aliexpress.com/item/RemovableToiletStoolNonslipSquatToilet-ToolComfortableSquatAidStoolBowelMovementsCrouchHole/32744437>>.*

Squat N Go the Only Detachable Space Saver Toilet Stool in the World Free Travel Bag Free Poop Guide, 9". [online] Retrieved Jun. 12, 2017 from URL: <<https://www.amazon.com/SquatGoDetachableToiletTravel/dp/B01CRKCCYW?th=1>>.* <<http://zjhyhexing.en.alibaba.com/>> Nov. 18, 2015.

* cited by examiner

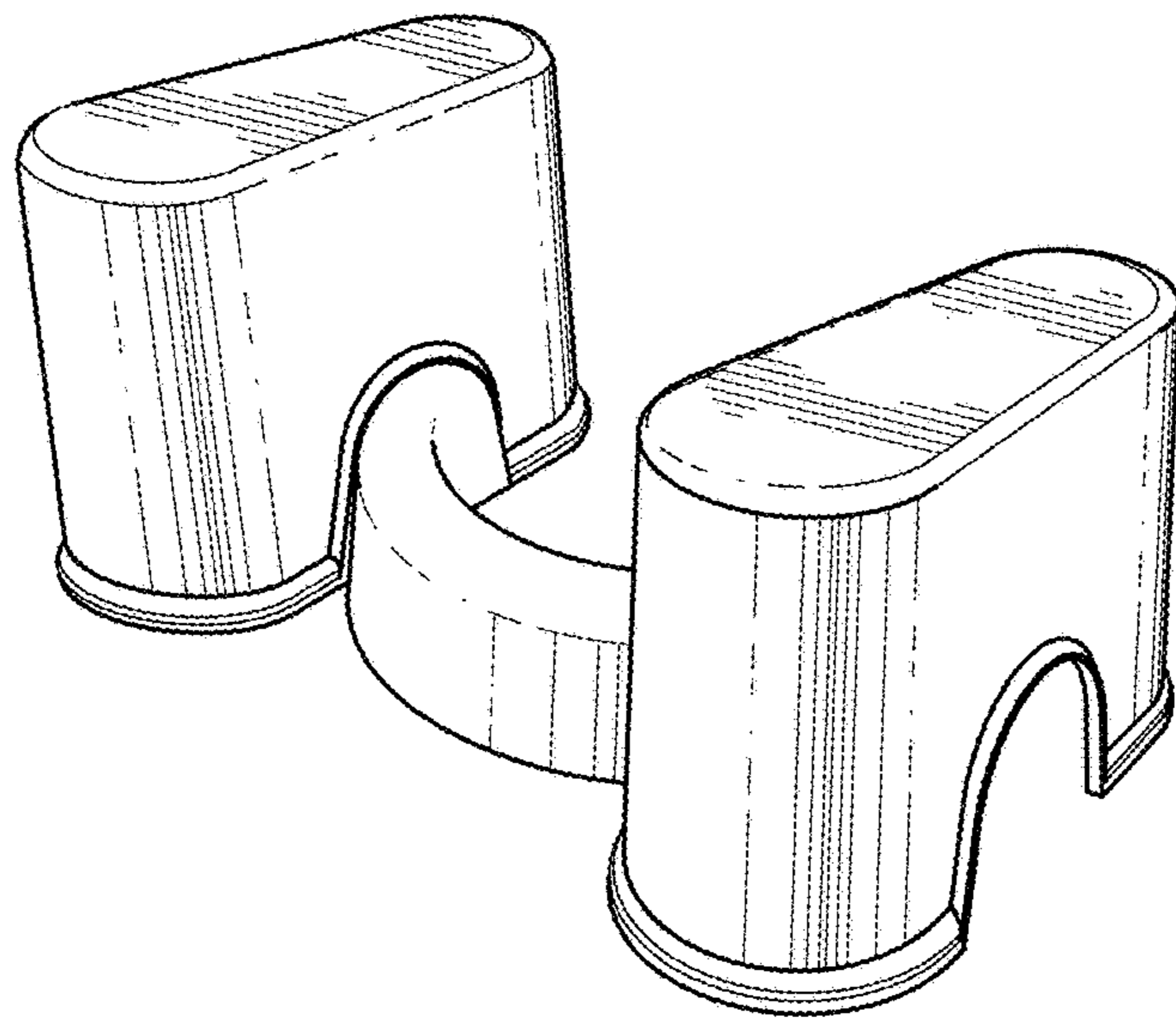


FIG. 1

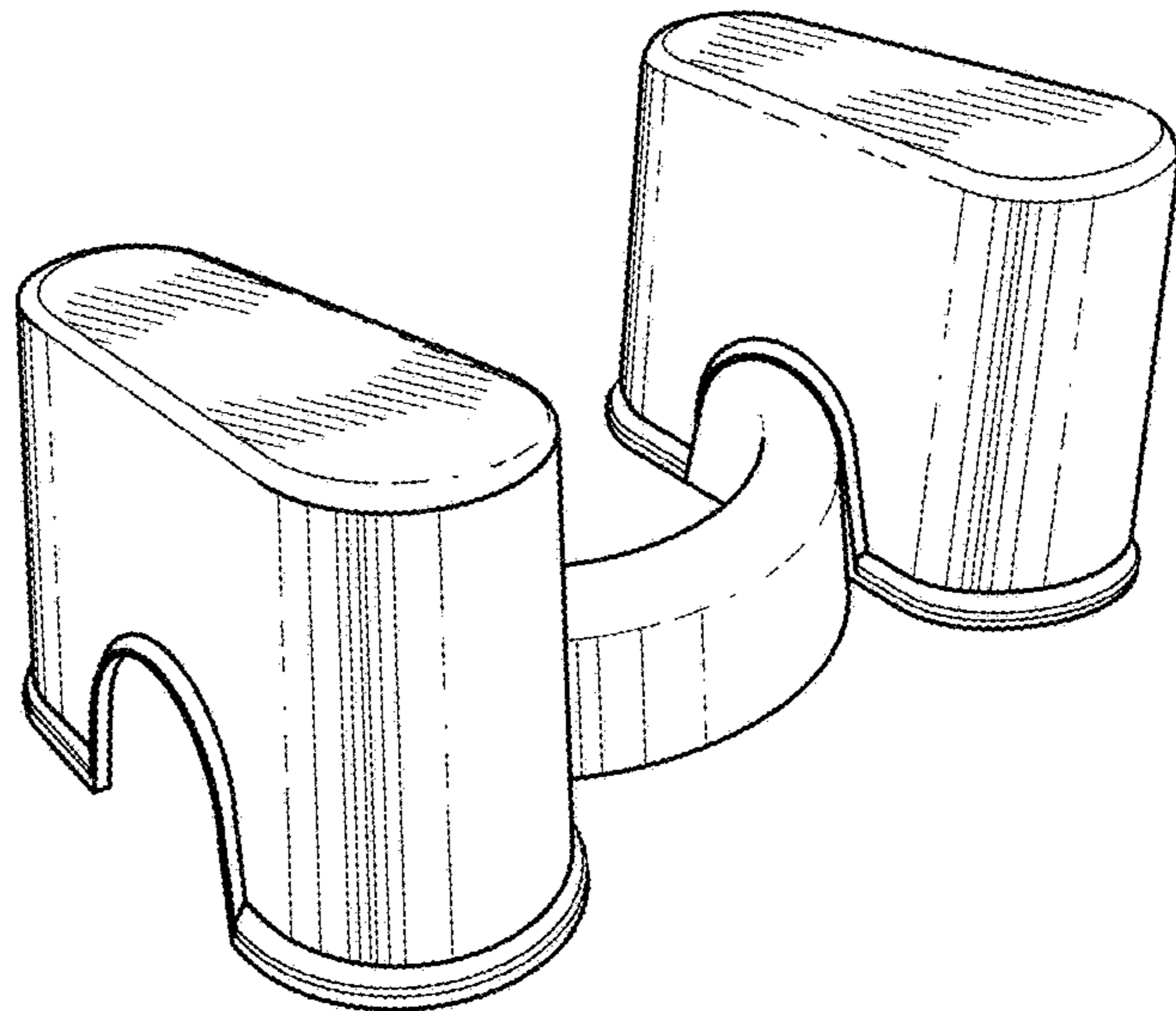


FIG. 2

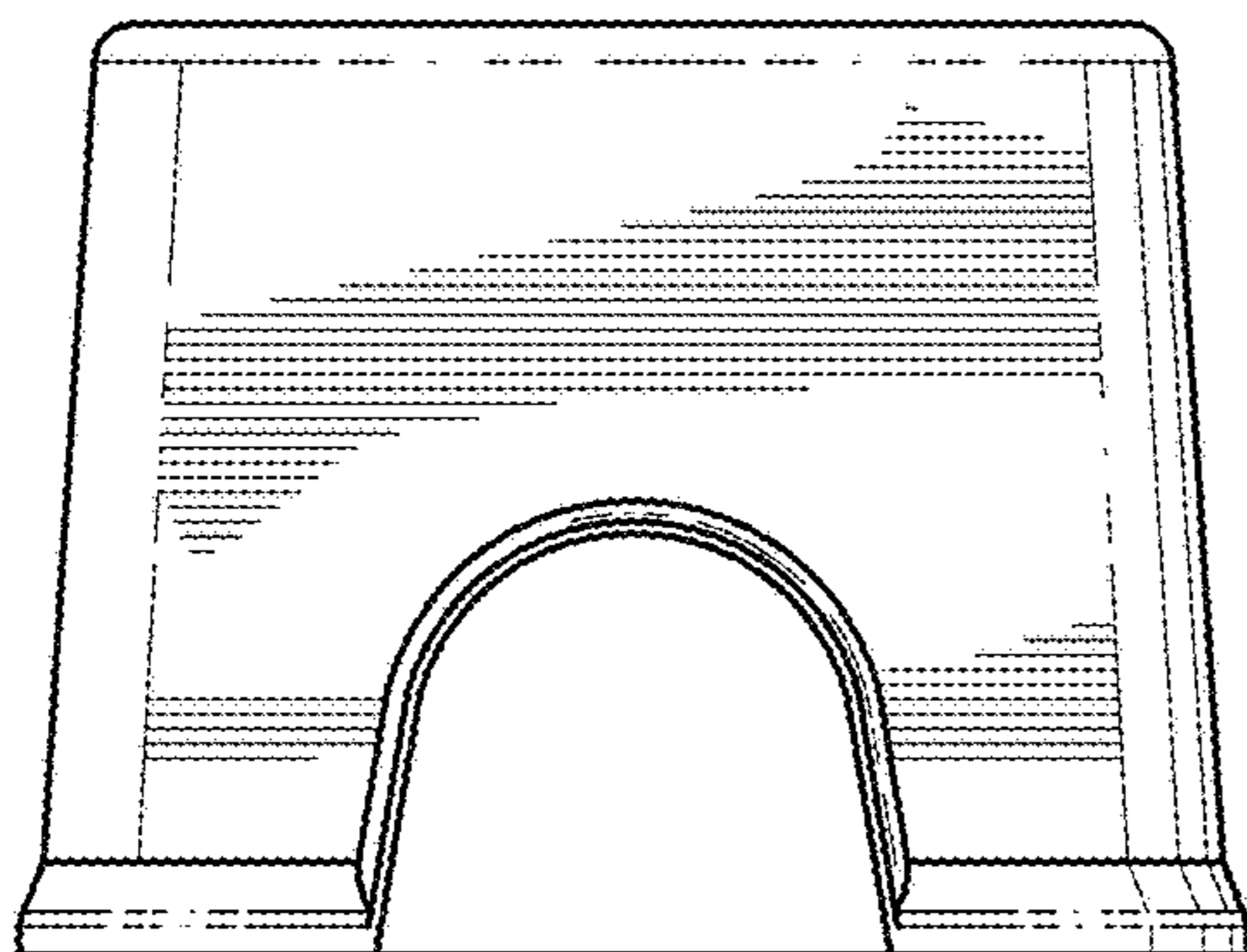


FIG. 3

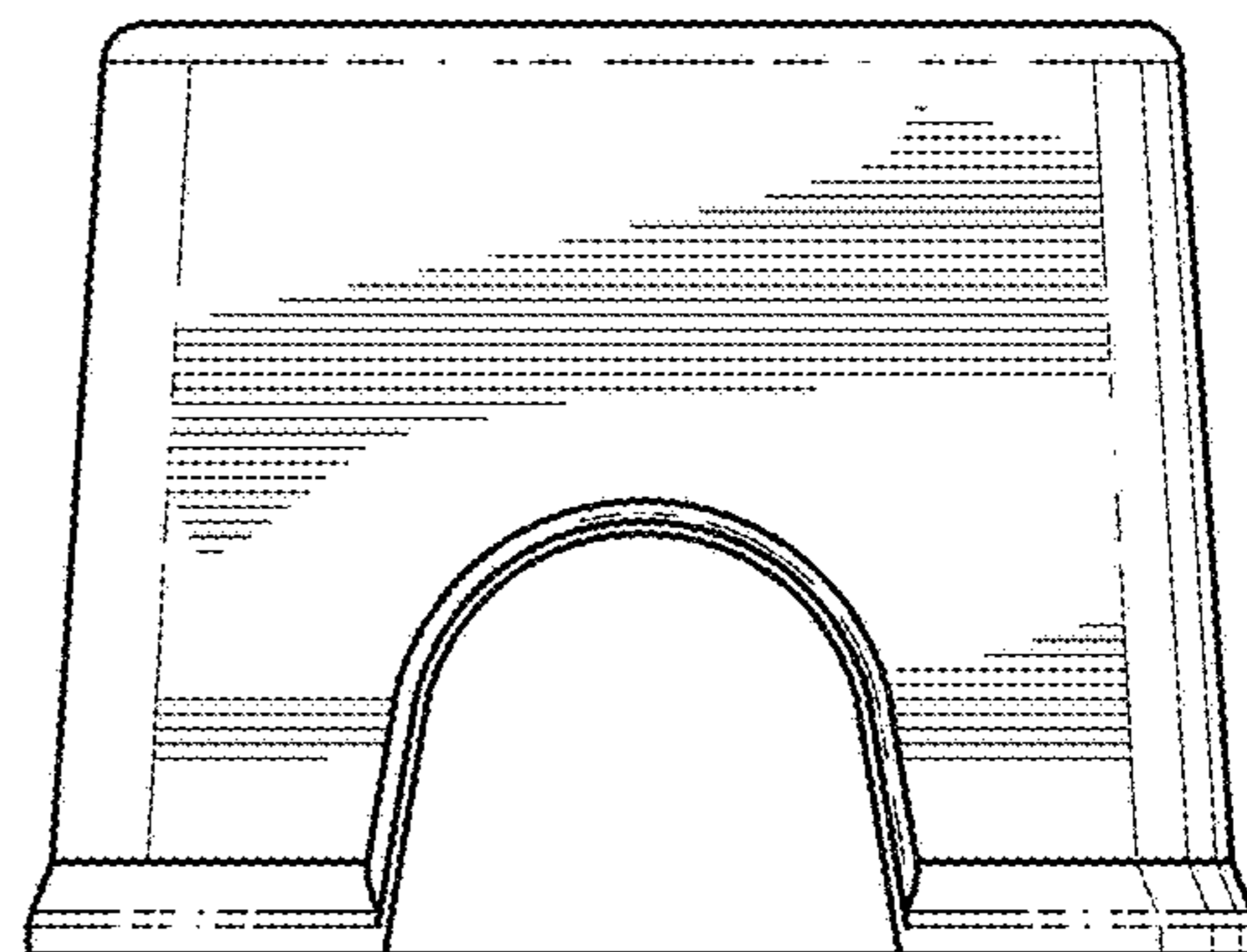


FIG. 4

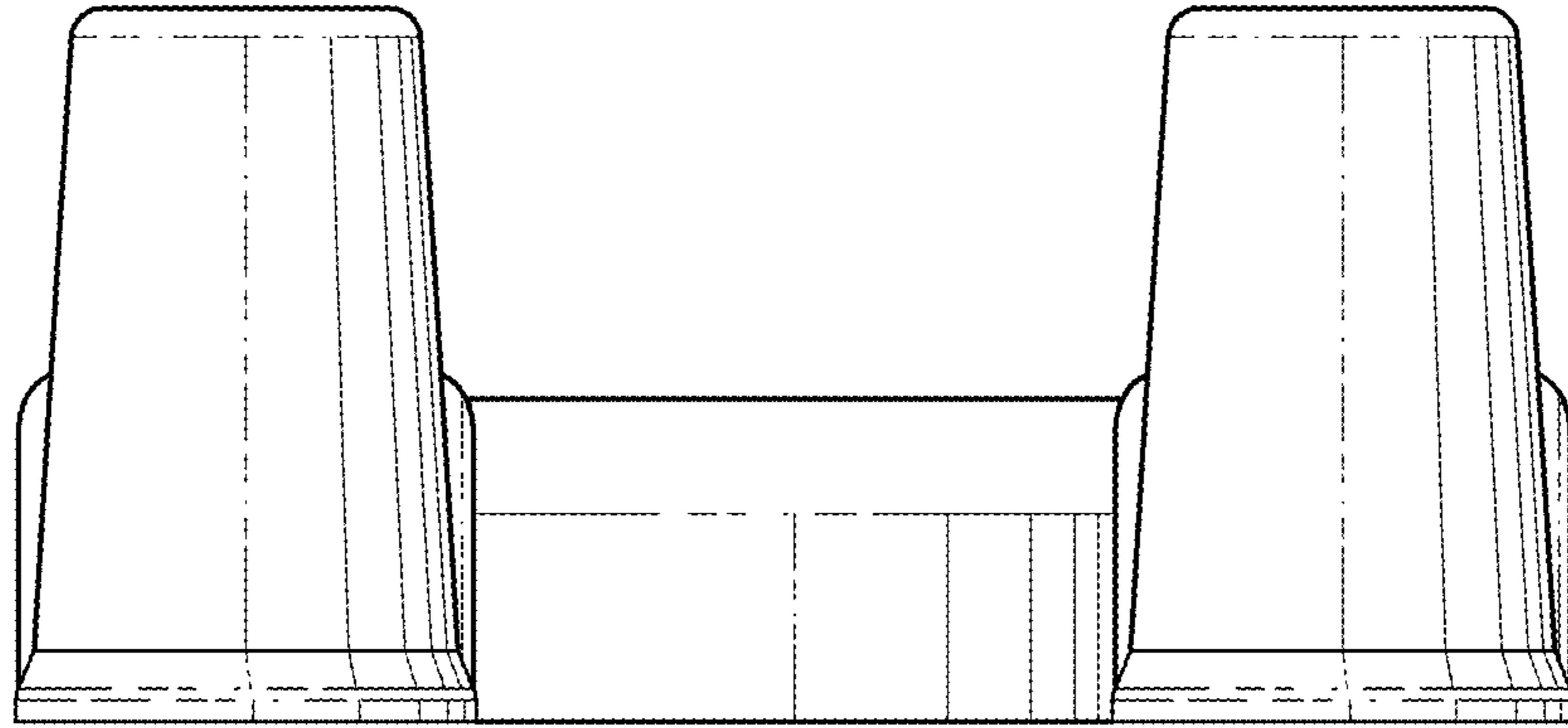


FIG. 5

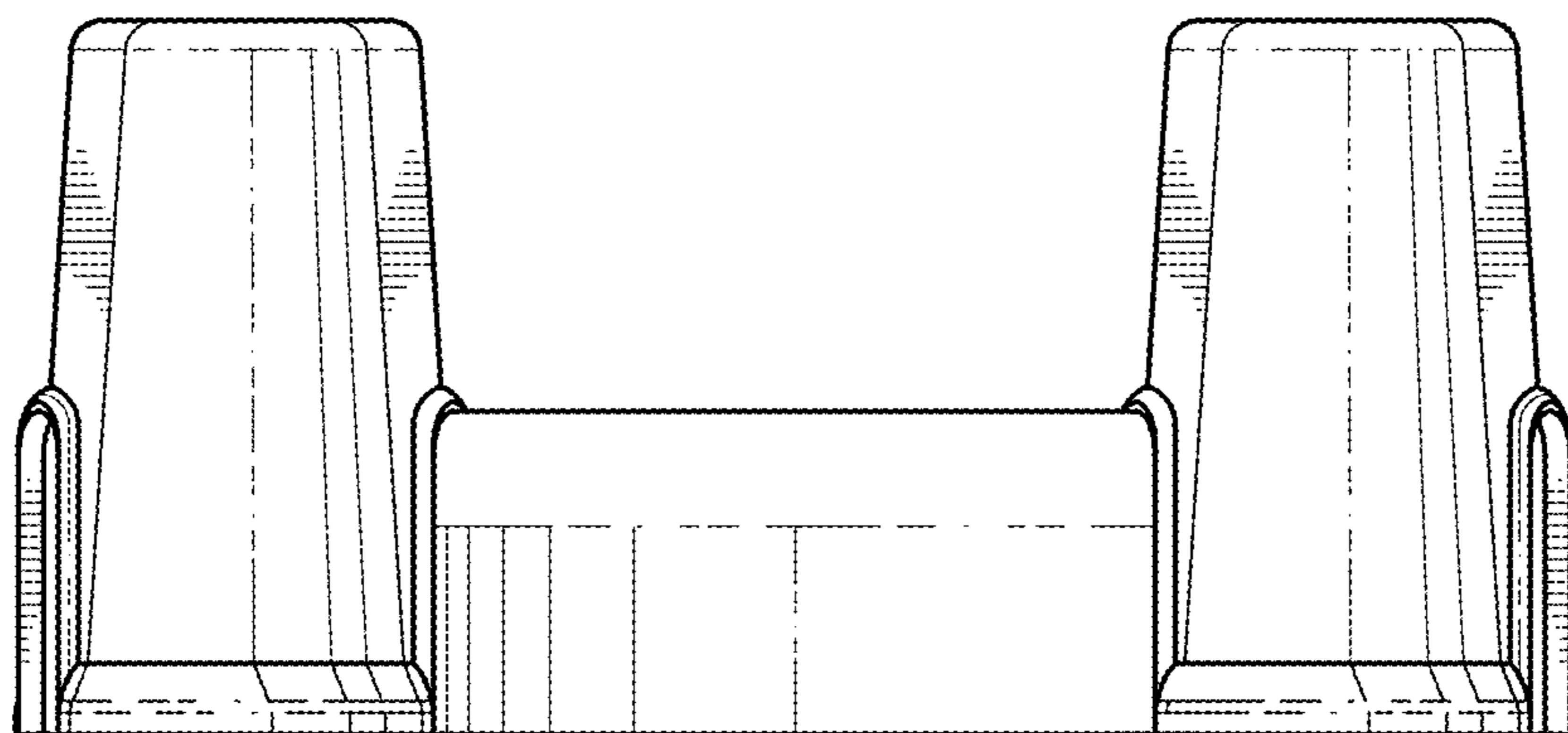


FIG. 6

FIG. 7

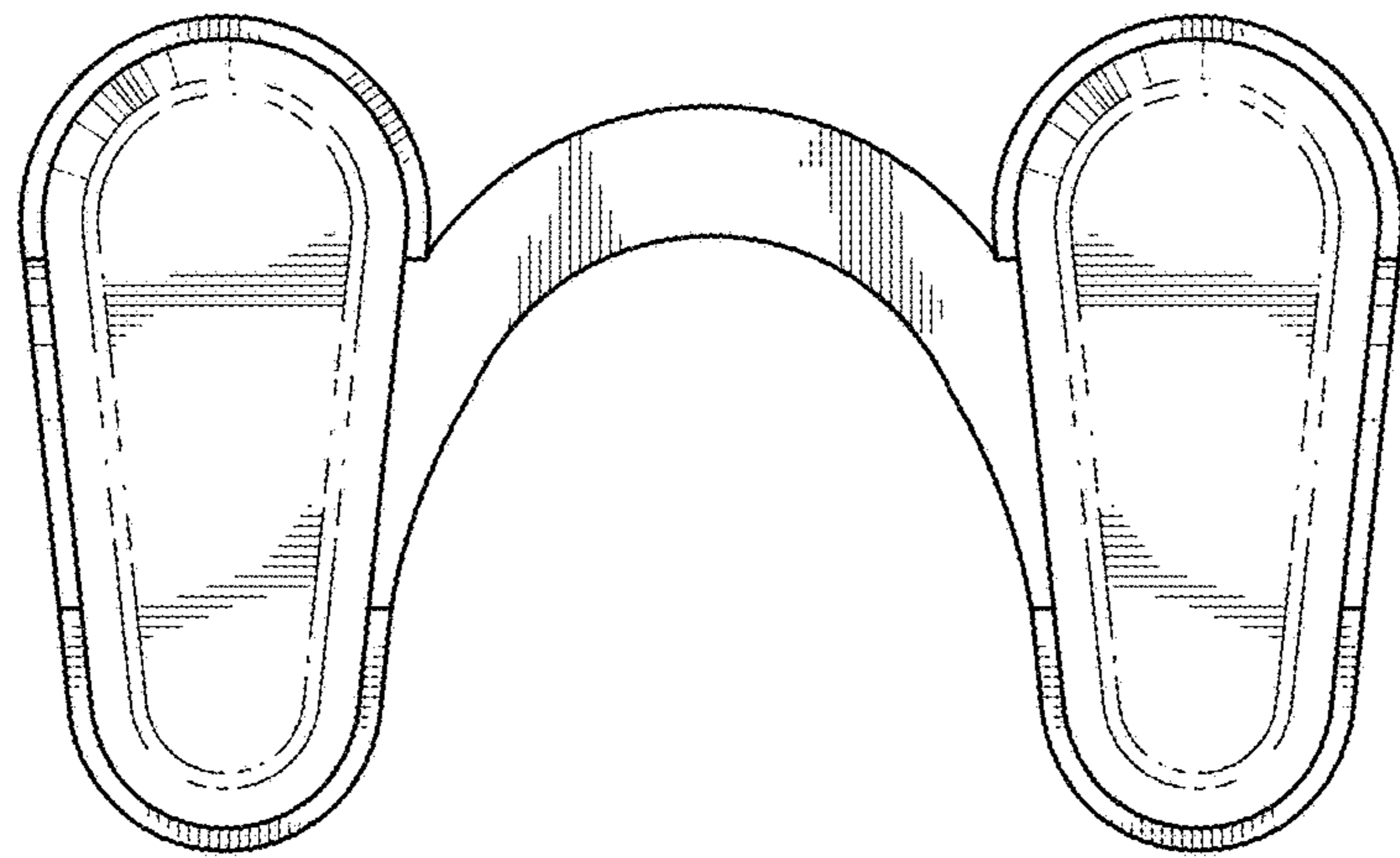
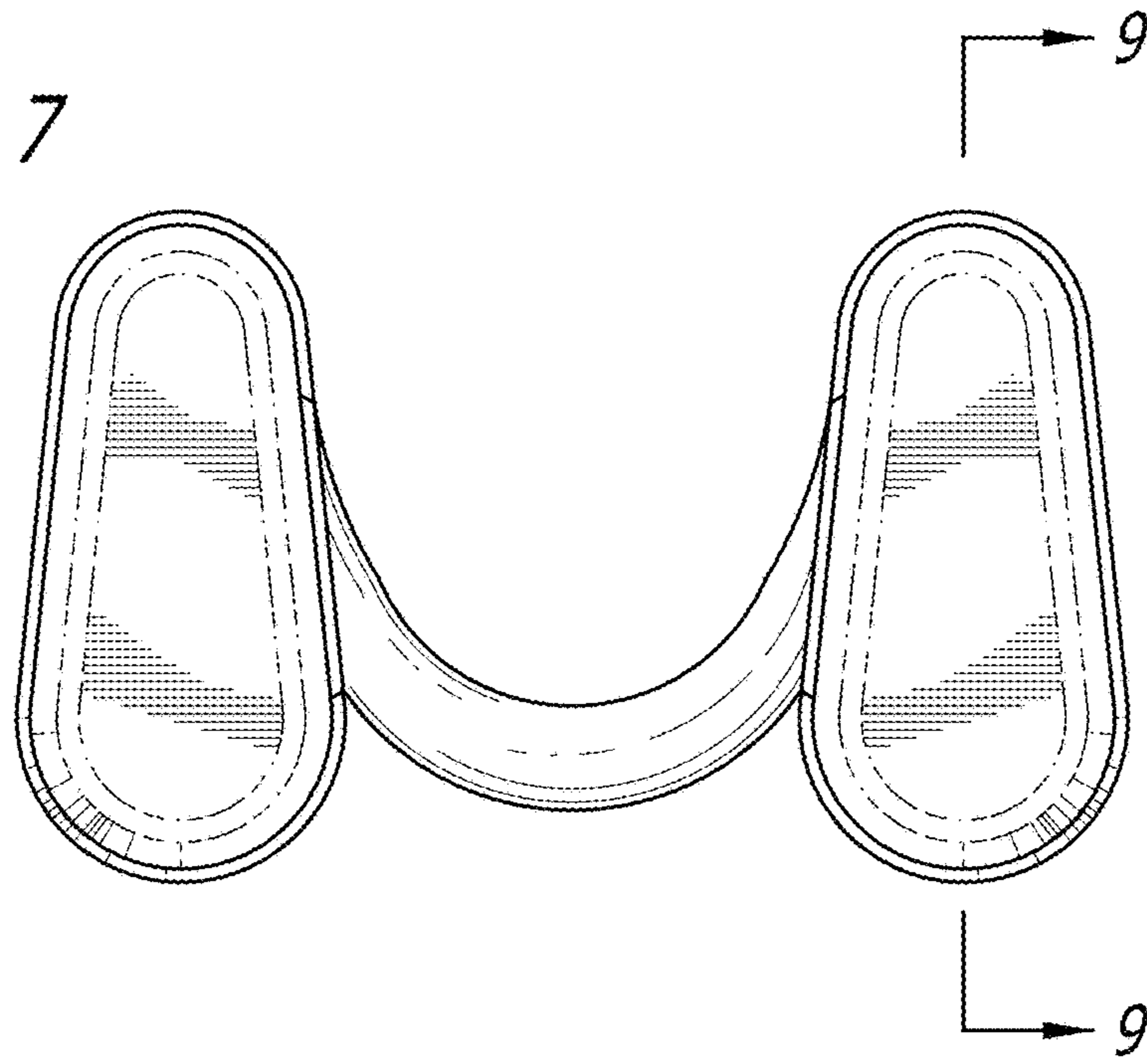


FIG. 8

FIG. 9

