

US00D807067S

(12) **United States Design Patent**  
**Vance**

(10) **Patent No.:** **US D807,067 S**  
(45) **Date of Patent:** **\*\* Jan. 9, 2018**

(54) **CHAIR**

(71) Applicant: **RH US, LLC**, Corte Madera, CA (US)

(72) Inventor: **Michael Vance**, San Anselmo, CA (US)

(73) Assignee: **RH US, LLC**, Corte Madera, CA (US)

(\*\*) Term: **15 Years**

(21) Appl. No.: **29/579,665**

(22) Filed: **Sep. 30, 2016**

(51) **LOC (11) Cl.** ..... **06-01**

(52) **U.S. Cl.**

USPC ..... **D6/334**

(58) **Field of Classification Search**

USPC ..... D6/334, 335, 336, 360, 361, 367, 368,  
D6/371-375, 379-381, 716, 716.1-716.8

CPC .... A47C 7/00; A47C 7/62; A47C 7/18; A47C  
7/54; A47C 4/00; A47C 4/028; A47C  
4/28; A47C 3/16; A47C 3/04; A47C 3/12;  
A47C 1/02; A47C 1/14

See application file for complete search history.

(56) **References Cited**

**U.S. PATENT DOCUMENTS**

D336,995 S \* 7/1993 Diaz-Azcuy ..... D6/334  
D363,168 S \* 10/1995 Lewis ..... D6/334

D380,095 S \* 6/1997 Diaz-Azcuy ..... D6/334  
D579,217 S \* 10/2008 Cramer ..... D6/334  
D644,048 S \* 8/2011 Blomstrom ..... D6/364  
D651,419 S \* 1/2012 Lievore ..... D6/334  
D651,420 S \* 1/2012 Lievore ..... D6/334  
D657,148 S \* 4/2012 Ciani ..... D6/334  
D661,118 S \* 6/2012 Massaud ..... D6/374  
D686,002 S \* 7/2013 Martin ..... D6/334  
D716,063 S \* 10/2014 Garcia ..... D6/334

\* cited by examiner

*Primary Examiner* — Deanna L Pratt

(74) *Attorney, Agent, or Firm* — Lewis Roca Rothgerber  
Christie LLP

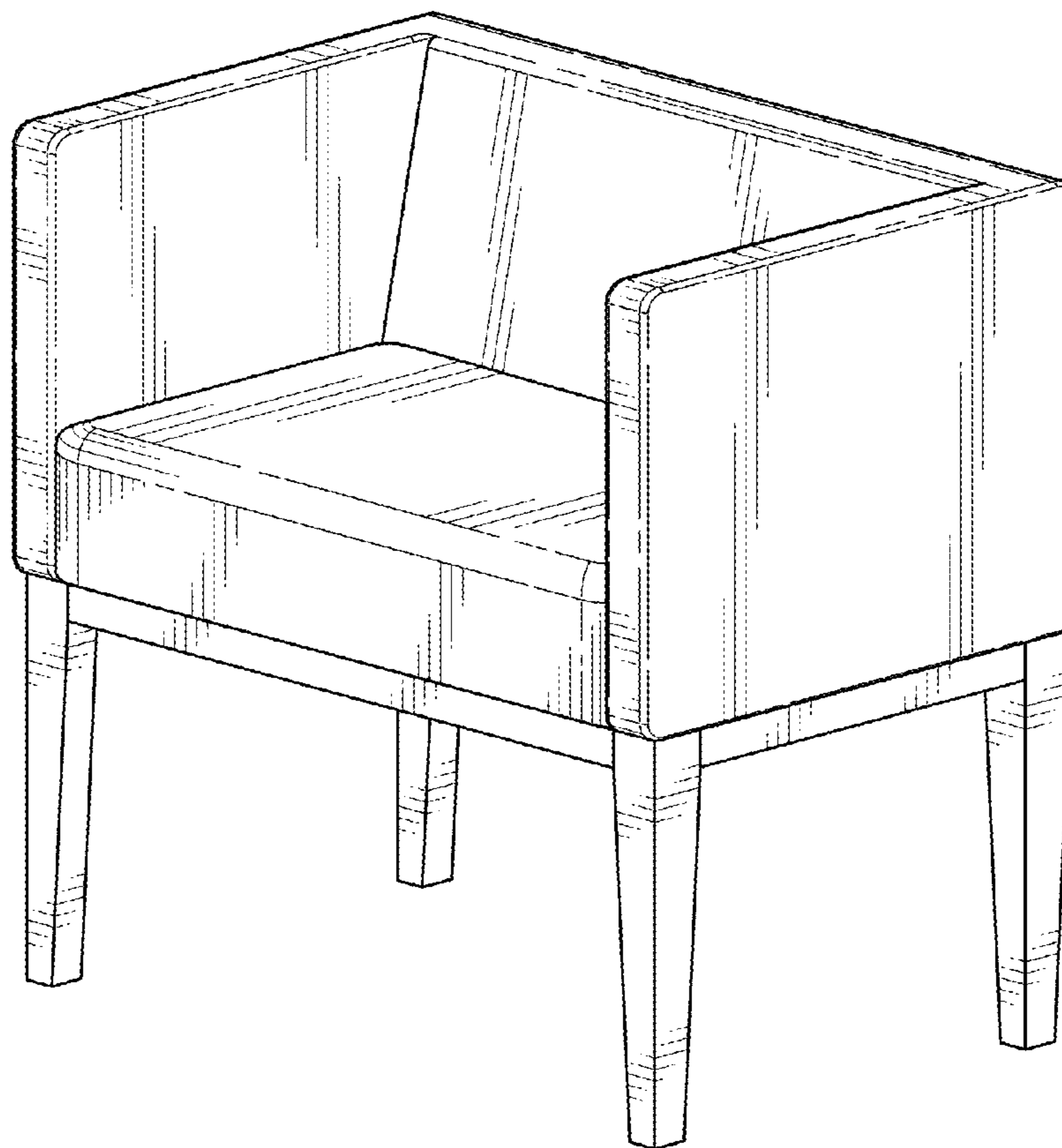
(57) **CLAIM**

The ornamental design for a chair, as shown and described.

**DESCRIPTION**

FIG. 1 is a front and right side perspective view of an exemplary chair showing my new design; FIG. 2 is a front elevation view thereof; FIG. 3 is a rear elevation view thereof; FIG. 4 is a left side elevation view thereof, the right side being a mirror image; and, FIG. 5 is a top plan view thereof.

**1 Claim, 4 Drawing Sheets**



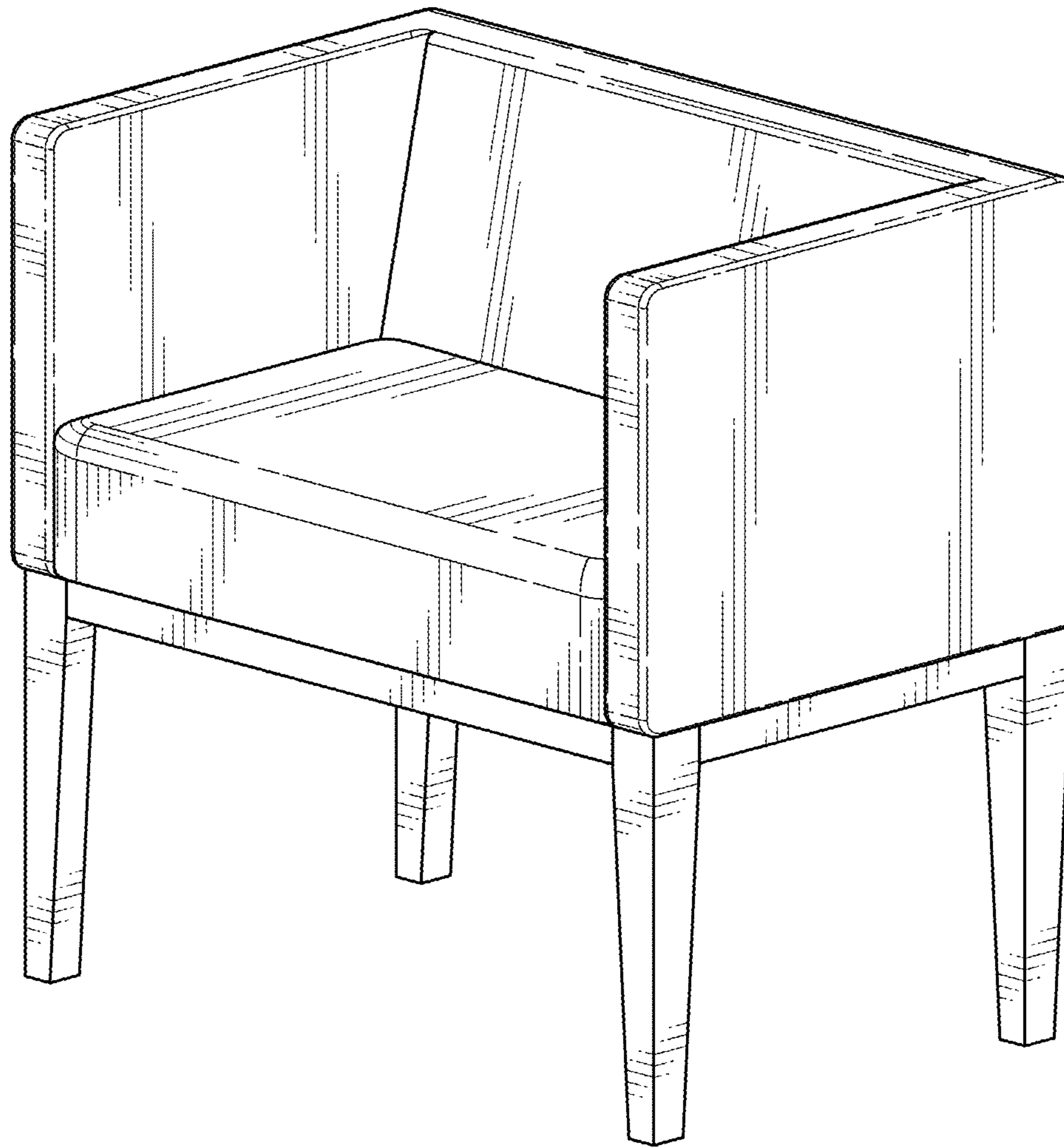


FIG. 1

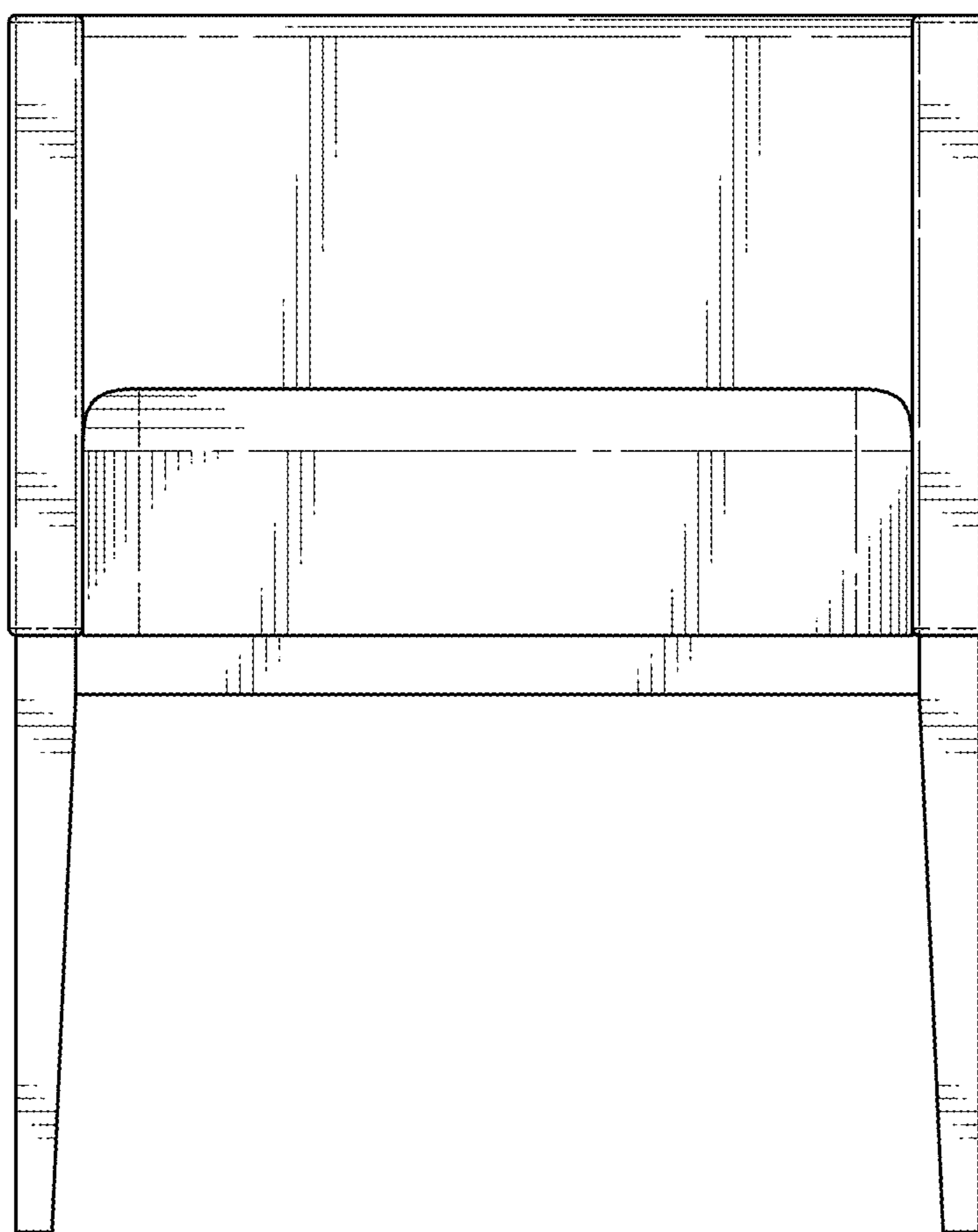


FIG. 2

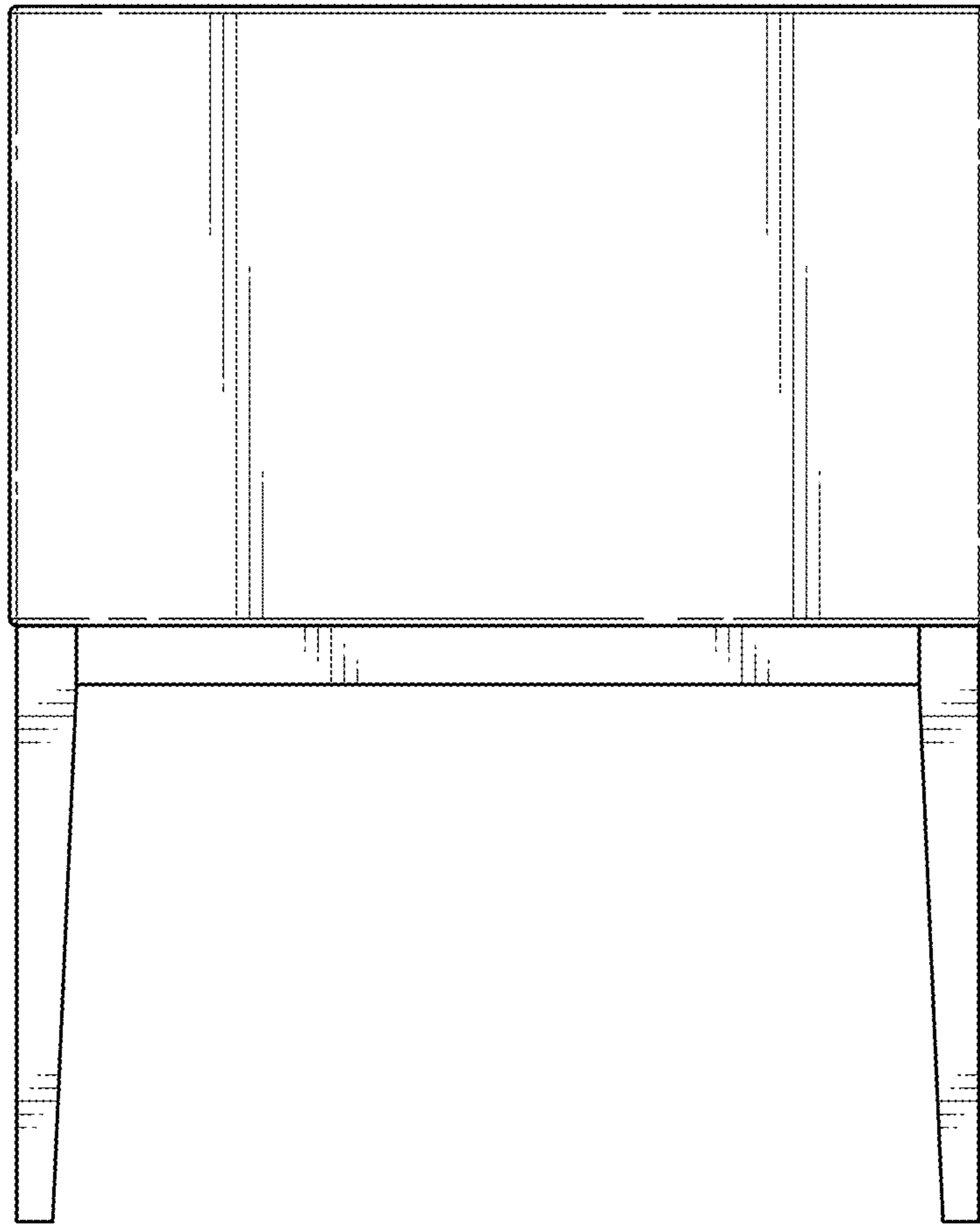


FIG. 3

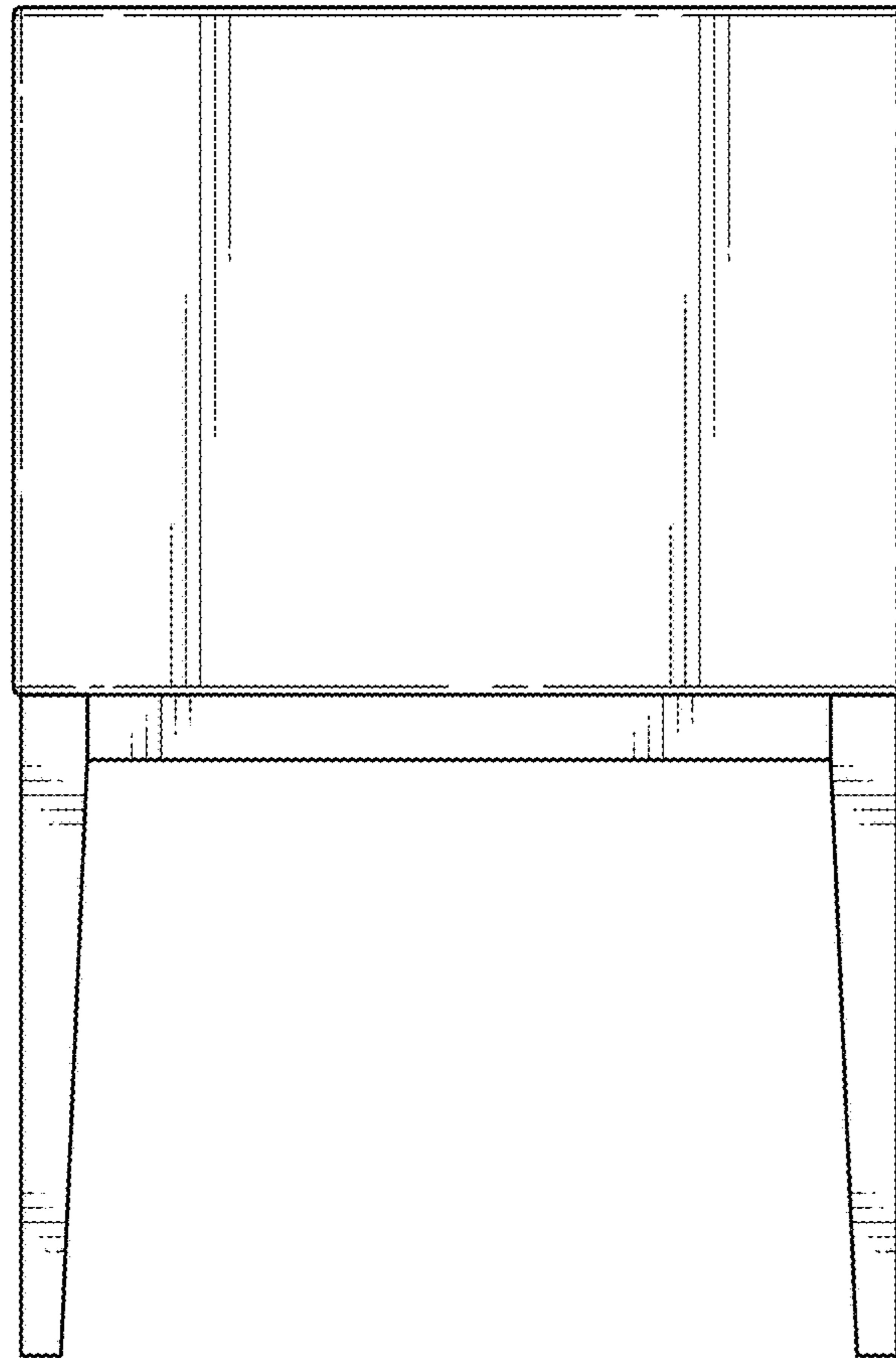


FIG. 4

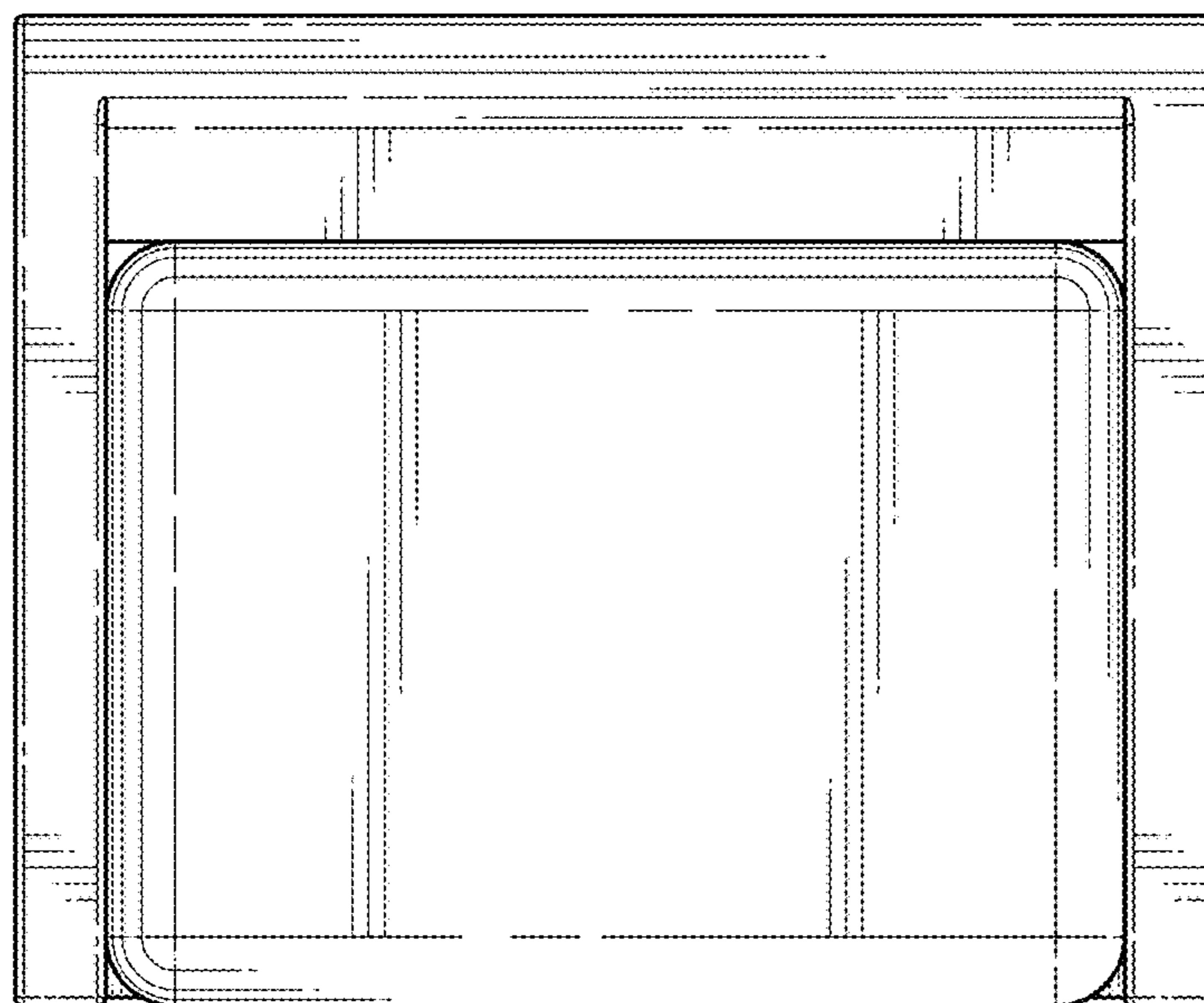


FIG. 5