



US00D807052S

(12) **United States Design Patent**  
**Gilad**

(10) **Patent No.:** **US D807,052 S**

(45) **Date of Patent:** **\*\* Jan. 9, 2018**

(54) **WALL MIRROR**

(71) Applicant: **CASSINA S.p.A.**, Meda (IT)

(72) Inventor: **Ron Gilad**, Tel-Aviv (IL)

(73) Assignee: **CASSINA S.P.A.**, Meda (MB) (IT)

(\*\*) Term: **15 Years**

(21) Appl. No.: **29/585,872**

(22) Filed: **Nov. 29, 2016**

(30) **Foreign Application Priority Data**

Jun. 30, 2016 (EM) ..... 003255439-0001

(51) **LOC (11) Cl.** ..... **06-07**

(52) **U.S. Cl.**  
USPC ..... **D6/300**

(58) **Field of Classification Search**

USPC ..... D6/300-314

CPC ... A47G 1/00; A47G 1/02; A47G 1/04; A47G  
1/06; A47G 1/0622; A47G 1/0627; A47G  
1/0633

See application file for complete search history.

(56) **References Cited**

**U.S. PATENT DOCUMENTS**

D128,651 S \* 8/1941 Vander Werf ..... 40/761  
D200,159 S \* 1/1965 Mueller et al. .... D6/300

D217,162 S \* 4/1970 Solie ..... D6/300  
D343,065 S \* 1/1994 Barbieri ..... D6/310  
D361,897 S \* 9/1995 Jackson ..... D6/300  
D461,319 S \* 8/2002 Jackson ..... D6/310  
D485,686 S \* 1/2004 Stein ..... D6/300  
D563,108 S \* 3/2008 Shail ..... D6/300  
D580,181 S \* 11/2008 Bacon ..... D6/300  
D727,477 S \* 4/2015 Mayer ..... D23/286

\* cited by examiner

*Primary Examiner* — Deanna L Pratt

(74) *Attorney, Agent, or Firm* — Hogan Lovells US LLP

(57) **CLAIM**

The ornamental design for a wall mirror, as shown and described.

**DESCRIPTION**

FIG. 1 is a perspective view of a wall mirror showing the design;

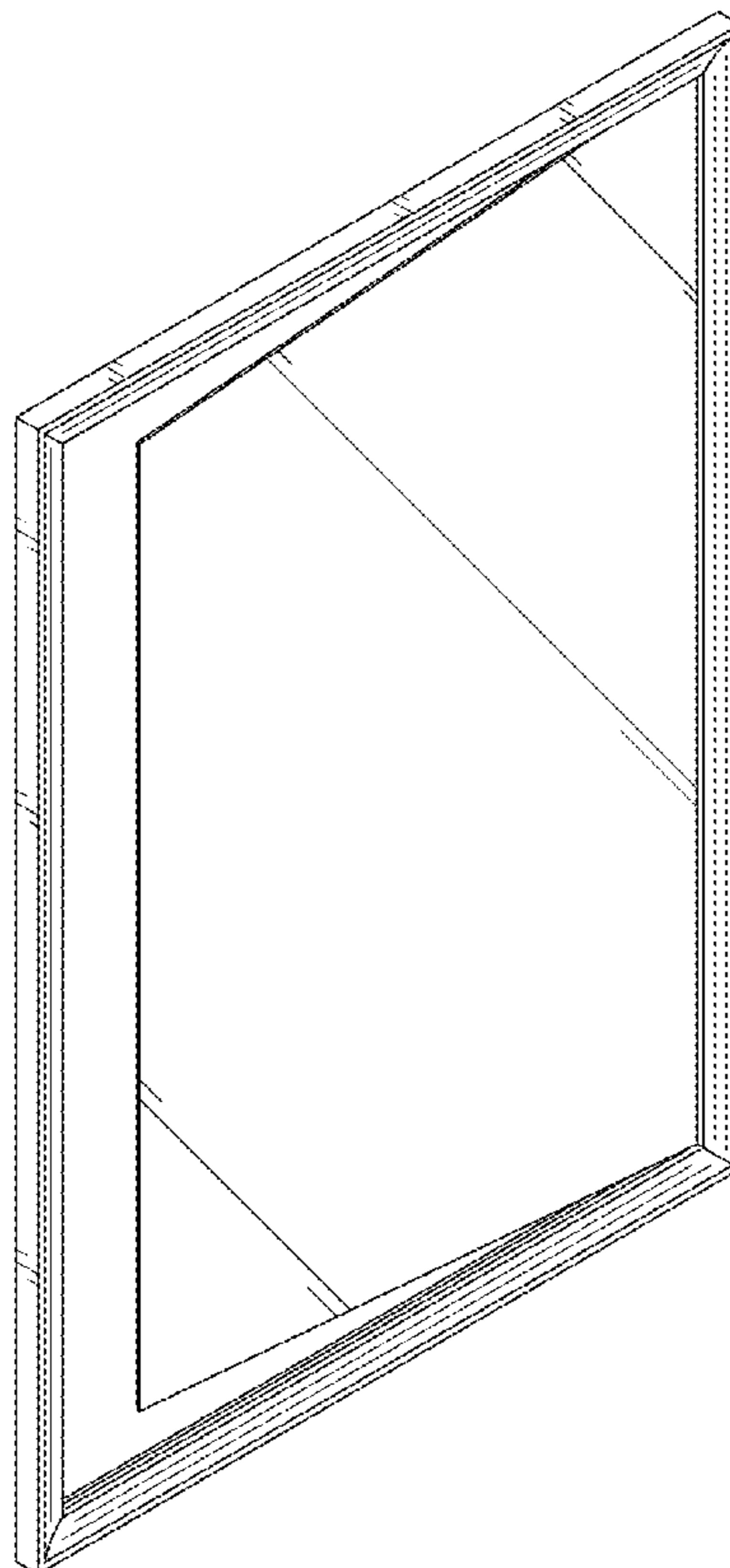
FIG. 2 is a front view thereof;

FIG. 3 is a back view thereof;

FIG. 4 is a left/right side view thereof; and,

FIG. 5 is a top/bottom view thereof.

**1 Claim, 4 Drawing Sheets**



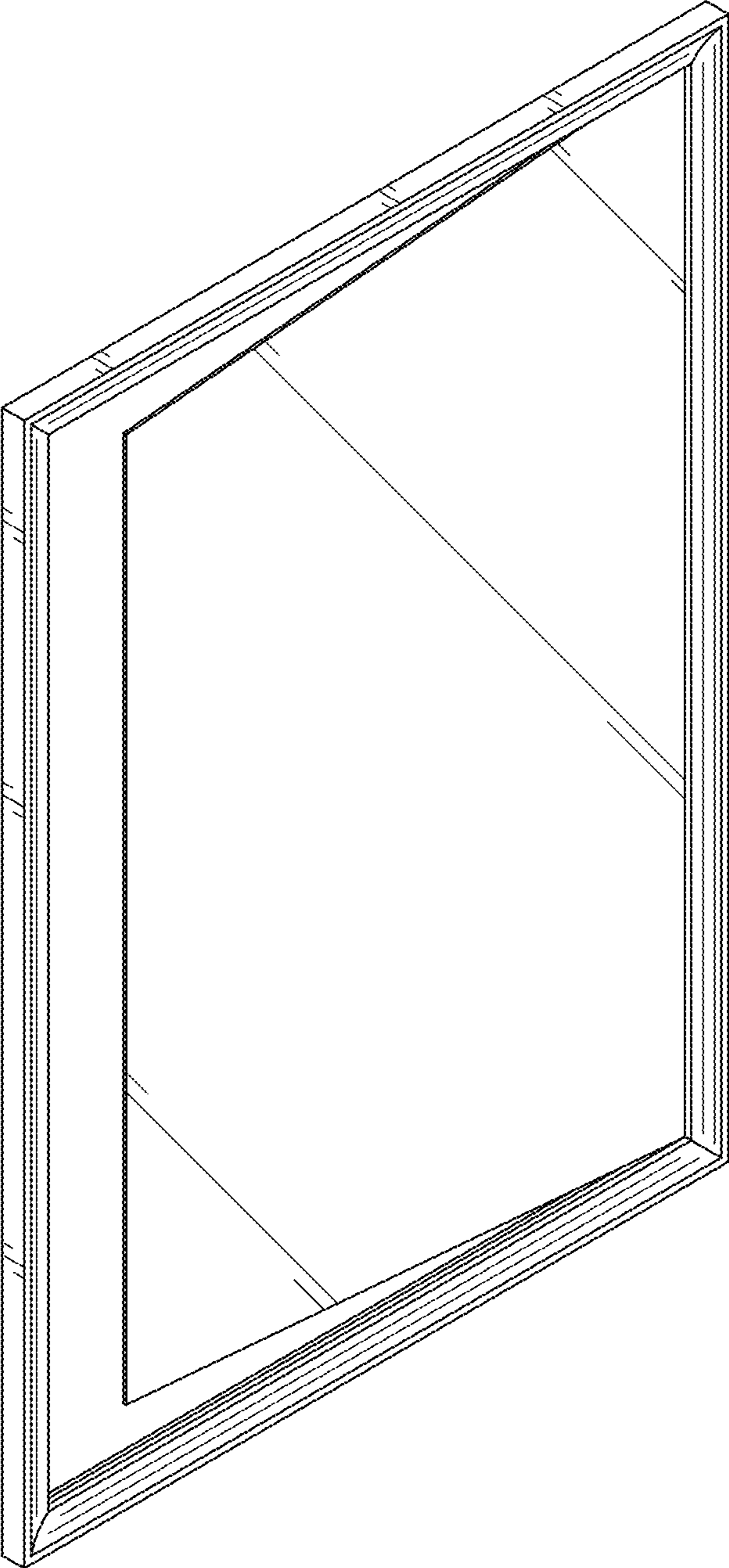


FIG.1

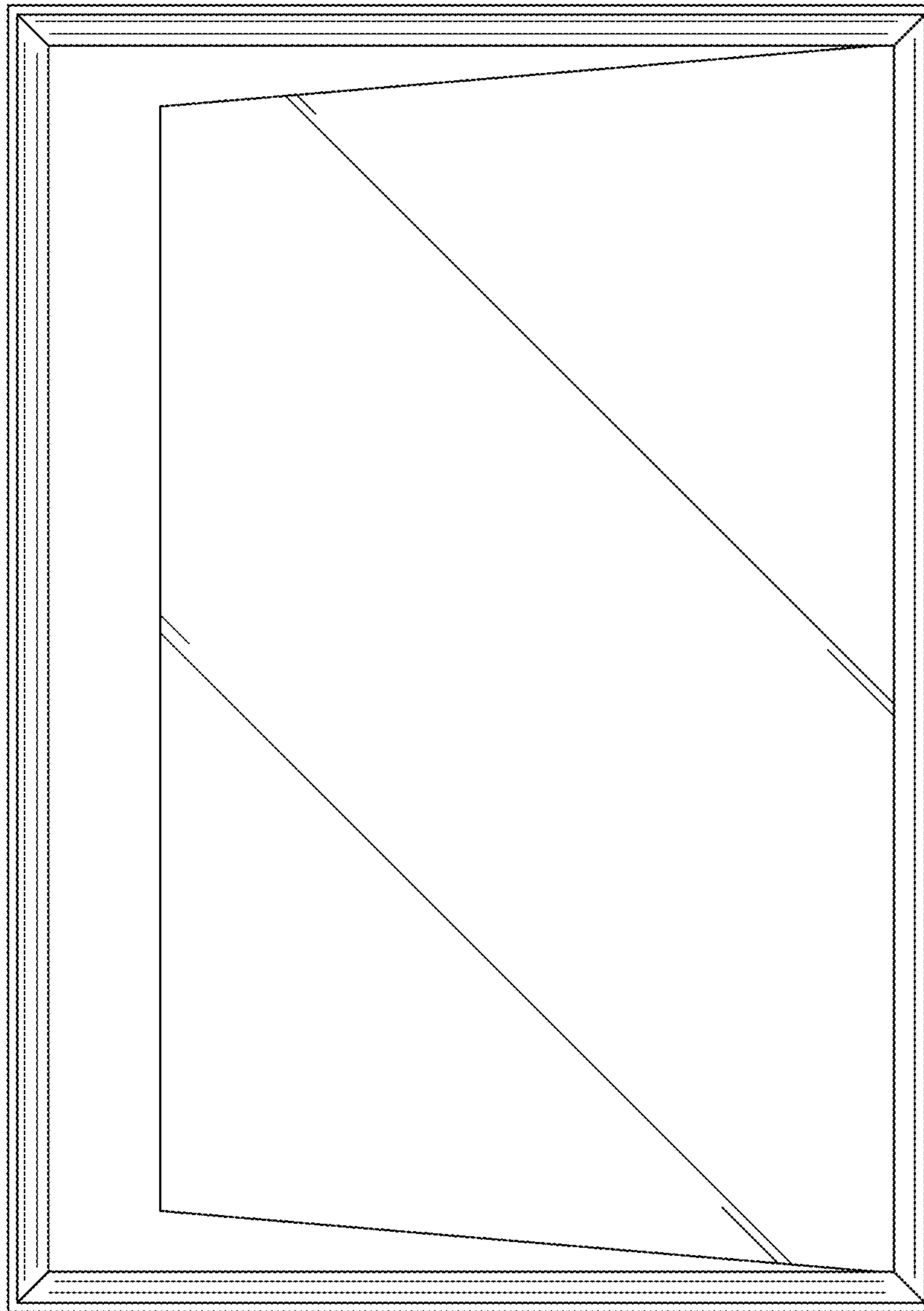


FIG.2

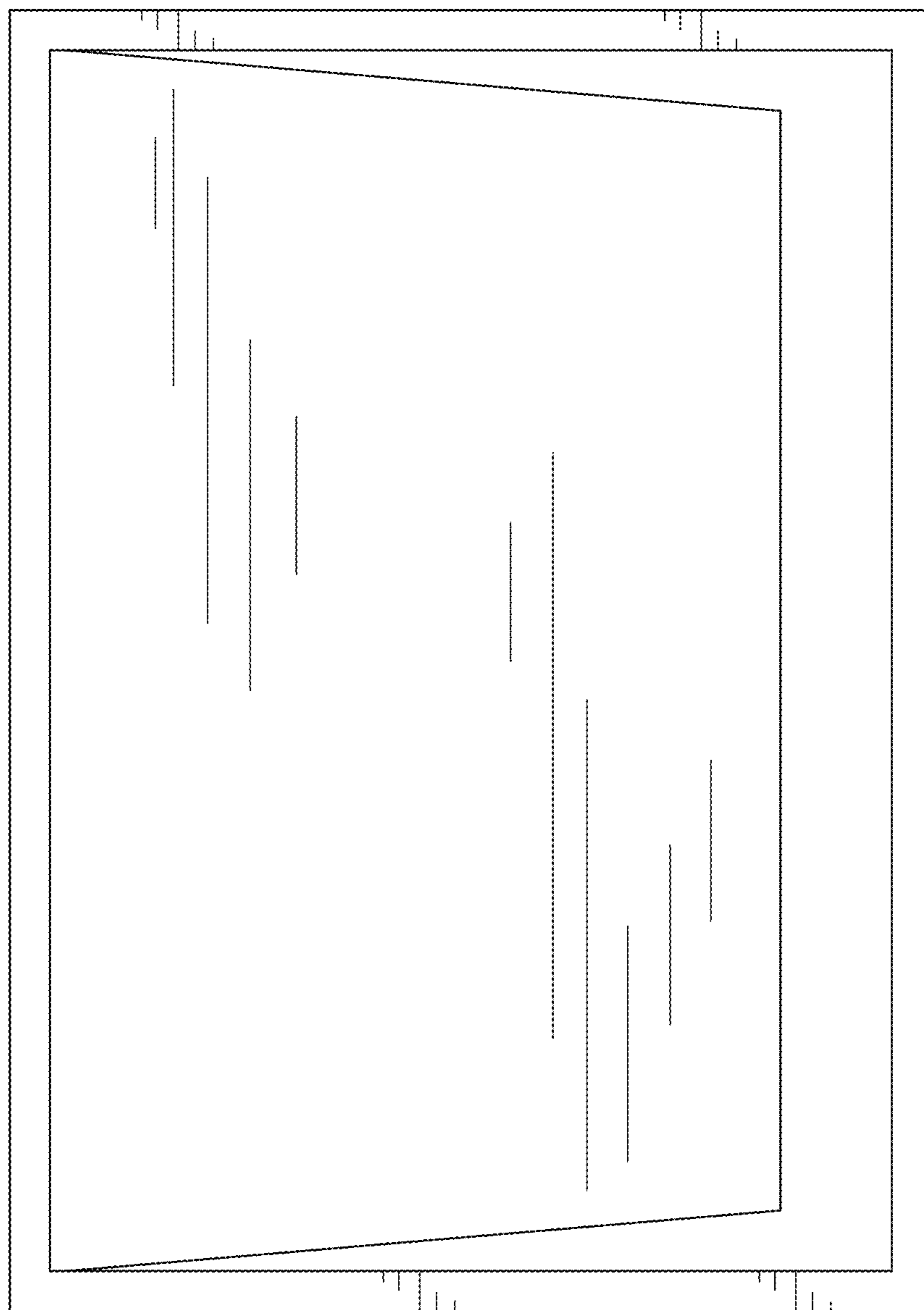


FIG.3

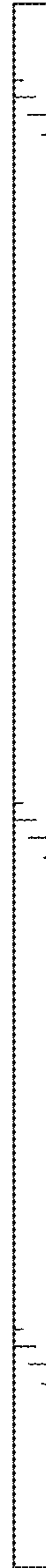


FIG.4



FIG.5