



US00D807048S

(12) **United States Design Patent**  
**Gilad**

(10) **Patent No.:** **US D807,048 S**

(45) **Date of Patent:** **\*\* Jan. 9, 2018**

(54) **WALL MIRROR**

(71) Applicant: **CASSINA S.p.A.**, Meda (MB) (IT)

(72) Inventor: **Ron Gilad**, Tel-Avi (IL)

(73) Assignee: **CASSINA S.P.A.**, Meda (MB) (IT)

(\*\*) Term: **15 Years**

(21) Appl. No.: **29/585,863**

(22) Filed: **Nov. 29, 2016**

(30) **Foreign Application Priority Data**

May 30, 2016 (EP) ..... 003160860-0013

(51) **LOC (11) Cl.** ..... **06-07**

(52) **U.S. Cl.**  
USPC ..... **D6/300**

(58) **Field of Classification Search**  
USPC ..... D6/300-314  
CPC ... A47G 1/00; A47G 1/02; A47G 1/04; A47G  
1/06; A47G 1/0622; A47G 1/0627; A47G  
1/0633  
See application file for complete search history.

(56) **References Cited**

**U.S. PATENT DOCUMENTS**

D90,055 S \* 5/1933 Stuparich ..... D6/301  
D292,044 S \* 9/1987 Billiet ..... D6/300

D345,379 S \* 3/1994 Chan ..... D20/40  
D365,535 S \* 12/1995 Muckler ..... D11/132  
D383,908 S \* 9/1997 Waszkiewicz, III ..... D6/300  
D409,843 S \* 5/1999 Chevallier ..... D6/300  
D445,262 S \* 7/2001 Rowan ..... D6/300  
D461,319 S \* 8/2002 Jackson ..... D6/310  
D547,073 S \* 7/2007 Mischel, Jr. .... D14/129  
D576,432 S \* 9/2008 Siekmann ..... D6/300  
D665,517 S \* 8/2012 Meynard ..... D25/103  
D669,691 S \* 10/2012 Blaser ..... D6/300  
D704,938 S \* 5/2014 Mischel, Jr. .... D6/300  
D740,571 S \* 10/2015 Gorham ..... D6/300  
D751,831 S \* 3/2016 Shay-Puetzer ..... D6/314  
D787,201 S \* 5/2017 Kraemer ..... D6/300

\* cited by examiner

*Primary Examiner* — Deanna L Pratt

(74) *Attorney, Agent, or Firm* — Hogan Lovells US LLP

(57) **CLAIM**

The ornamental design for a wall mirror, as shown and described.

**DESCRIPTION**

FIG. 1 is a perspective view of a wall mirror showing the design;

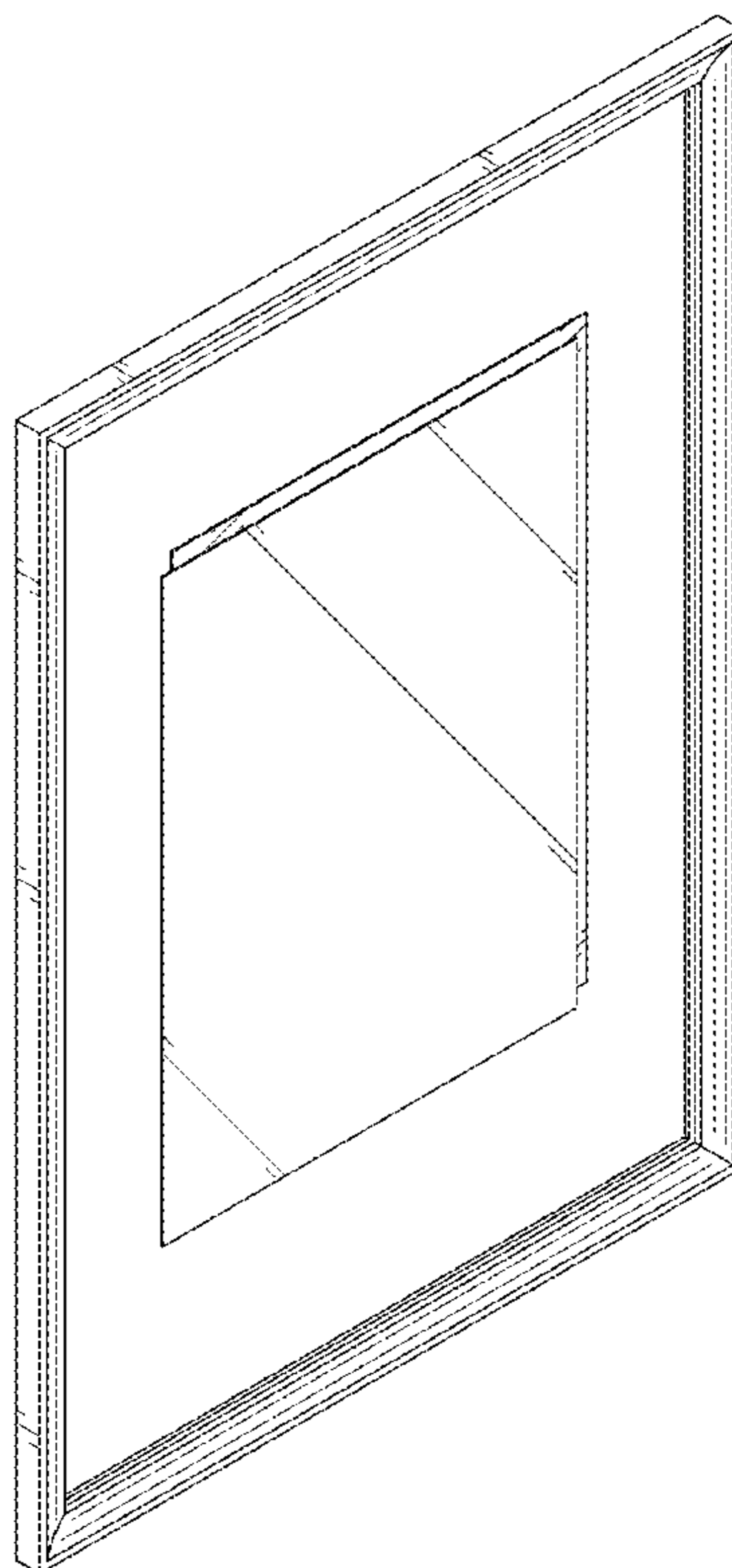
FIG. 2 is a front view thereof;

FIG. 3 is a back view thereof;

FIG. 4 is a left/right side view thereof; and,

FIG. 5 is a top/bottom view thereof.

**1 Claim, 4 Drawing Sheets**



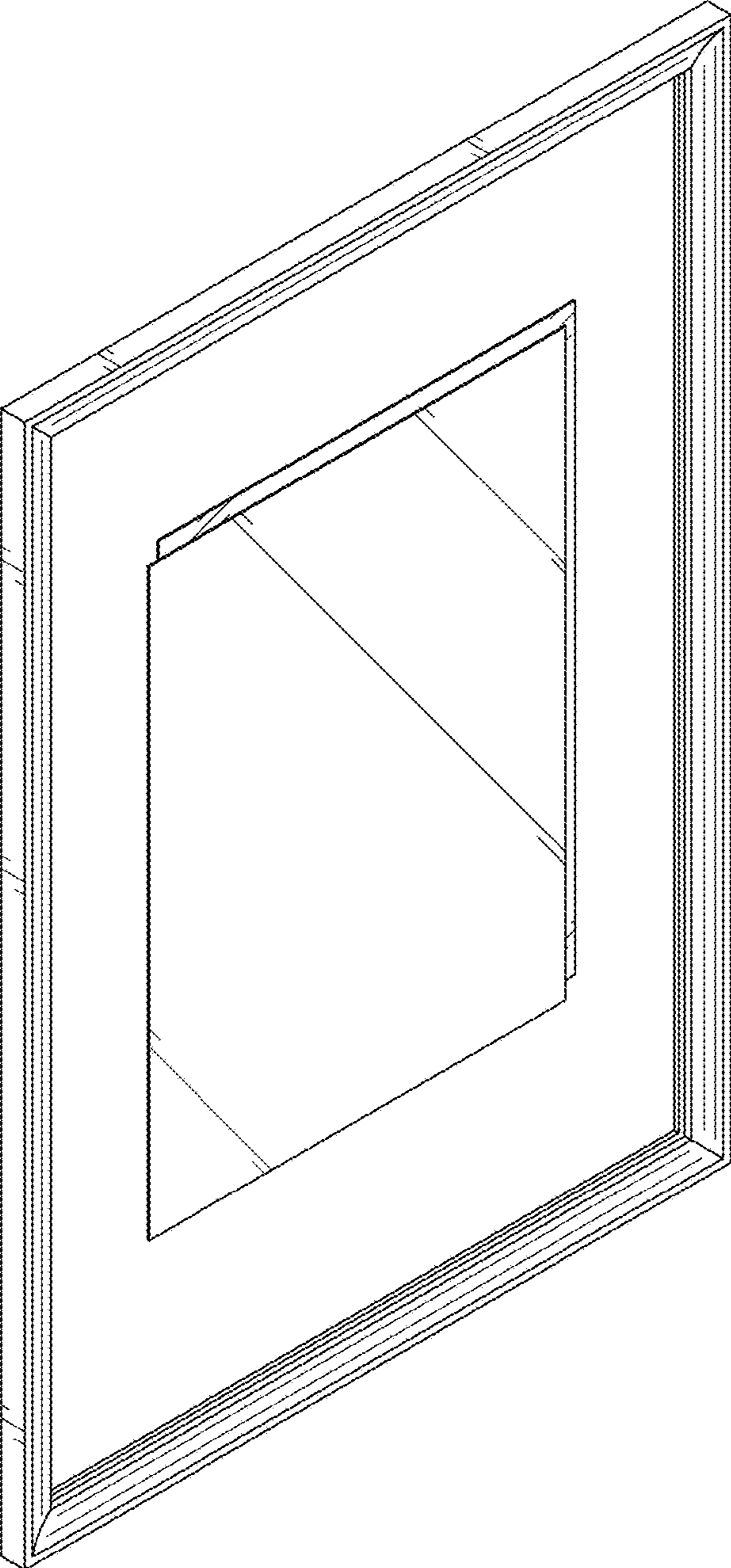


FIG.1

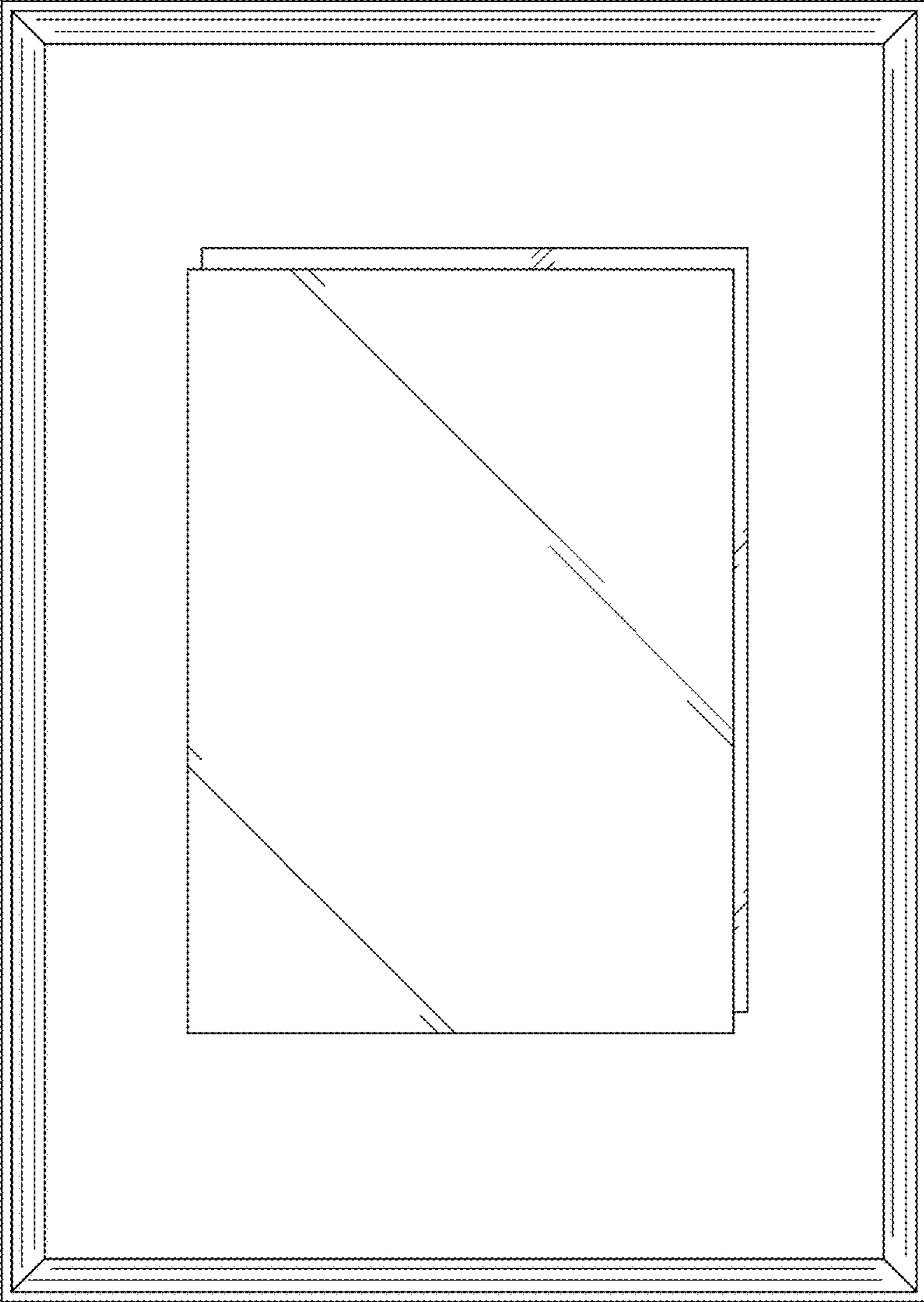


FIG.2

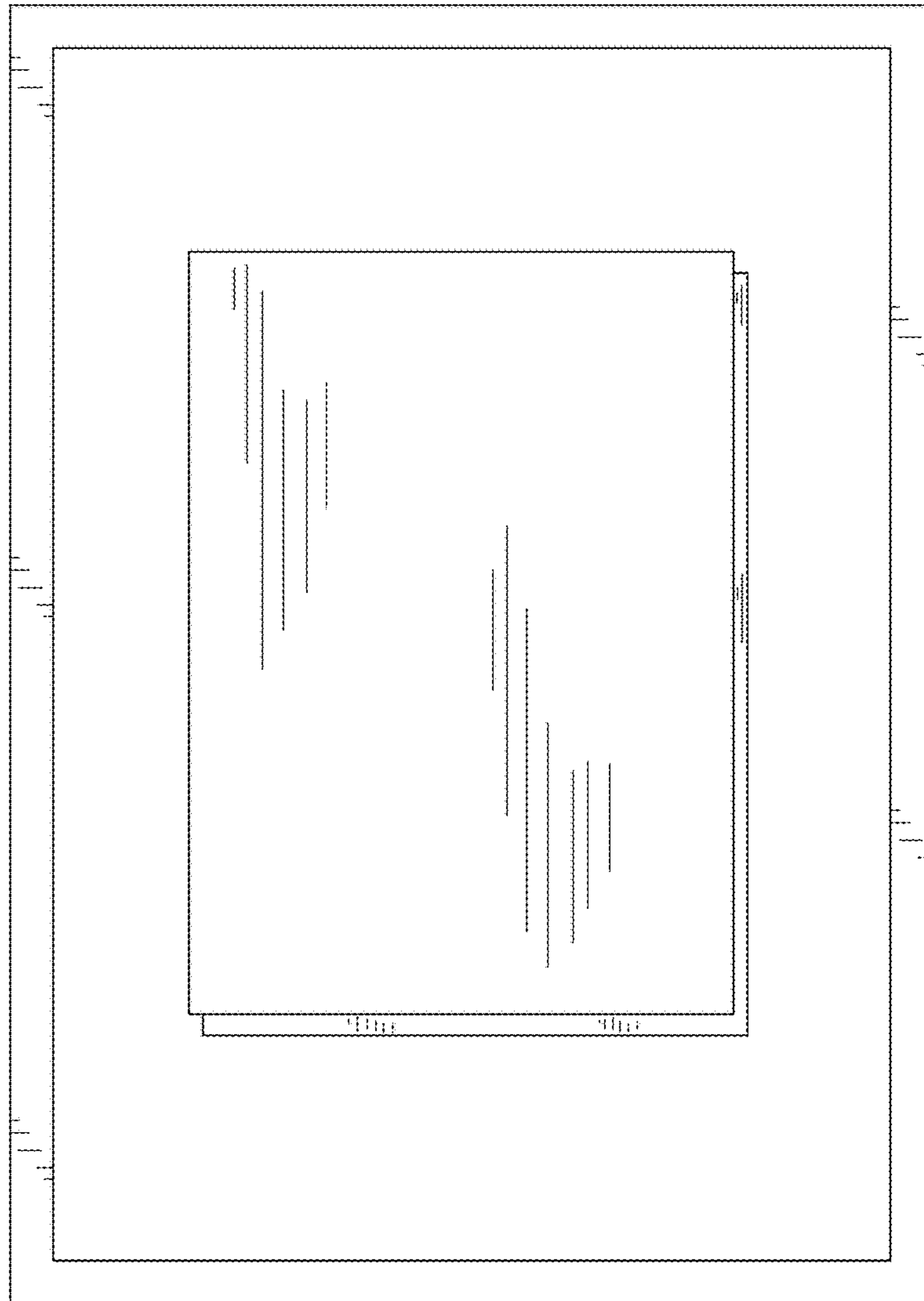


FIG.3



FIG.4



FIG.5