



US00D807042S

(12) **United States Design Patent**  
**Flynn**

(10) **Patent No.:** **US D807,042 S**  
(45) **Date of Patent:** **\*\* Jan. 9, 2018**

(54) **TOOTHBRUSH**

2,328,048 A \* 8/1943 Bair ..... A46B 11/0055  
15/143.1  
D368,374 S \* 4/1996 Ashcraft ..... 401/184  
D432,791 S \* 10/2000 Trempala ..... D4/108

(71) Applicant: **Joelle S. Flynn**, Dana Point, CA (US)

(72) Inventor: **Joelle S. Flynn**, Dana Point, CA (US)

\* cited by examiner

(\*\*) Term: **15 Years**

*Primary Examiner* — Karen E Eldridge Powers

(21) Appl. No.: **29/575,348**

(74) *Attorney, Agent, or Firm* — Kilpatrick Townsend & Stockton LLP

(22) Filed: **Aug. 24, 2016**

(51) **LOC (11) Cl.** ..... **04-02**

(57) **CLAIM**

(52) **U.S. Cl.**

The ornamental design for a toothbrush, as shown and described.

USPC ..... **D4/104**

(58) **Field of Classification Search**

**DESCRIPTION**

USPC ..... D4/101, 102, 104, 105, 106, 107, 108,  
D4/109, 110, 111, 112, 113

CPC ..... A46B 9/04; A46B 9/10; A46B 11/0006;  
A46B 2200/1066

See application file for complete search history.

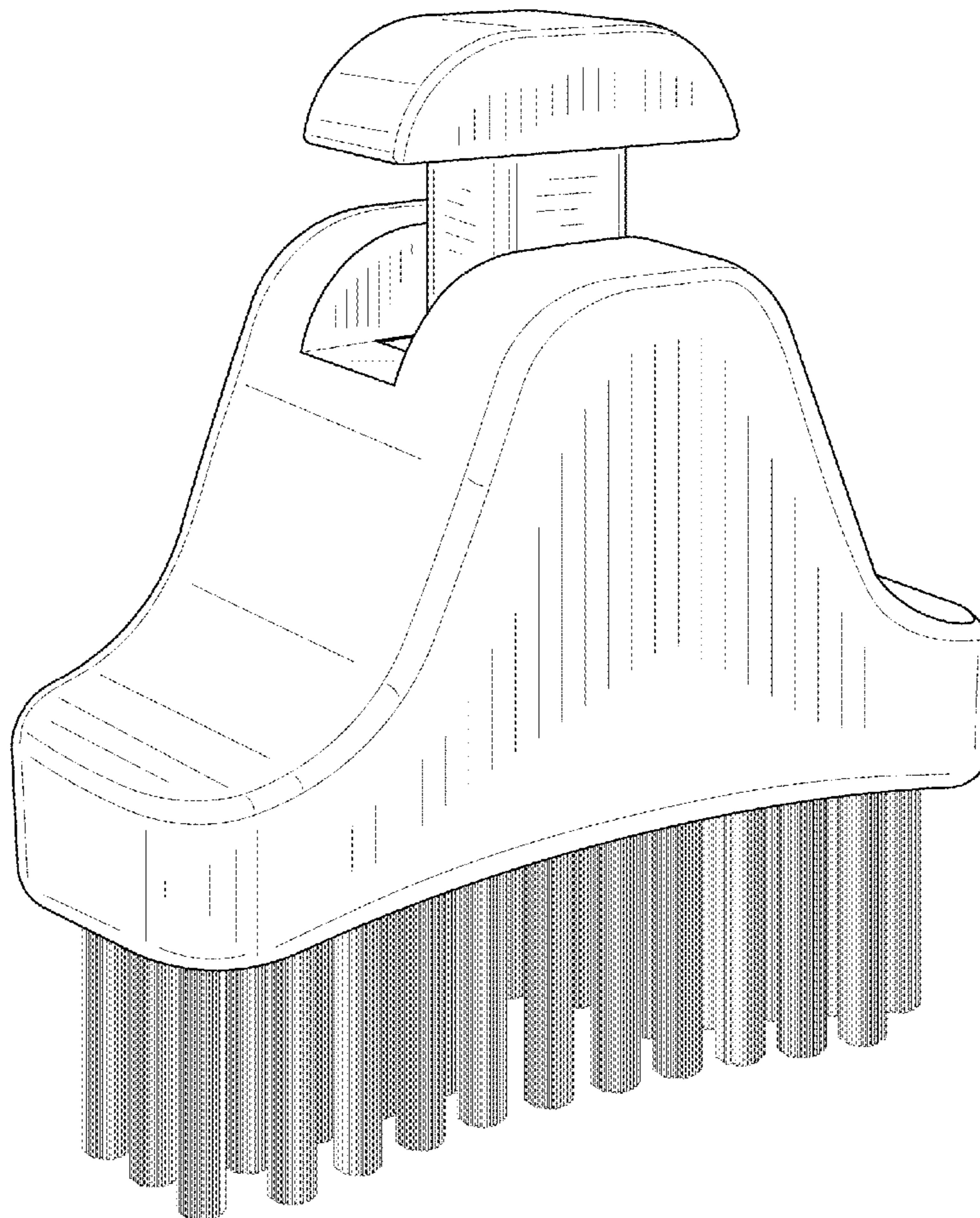
FIG. 1 is a perspective view of the design;  
FIG. 2 is a front elevation view thereof;  
FIG. 3 is a rear elevation view thereof;  
FIG. 4 is a left side elevation view thereof;  
FIG. 5 is a right side elevation view thereof;  
FIG. 6 is a top plan view thereof; and,  
FIG. 7 is a bottom plan view thereof.

(56) **References Cited**

**U.S. PATENT DOCUMENTS**

2,121,358 A \* 6/1938 Loeffler ..... A46B 5/04  
15/167.1

**1 Claim, 4 Drawing Sheets**



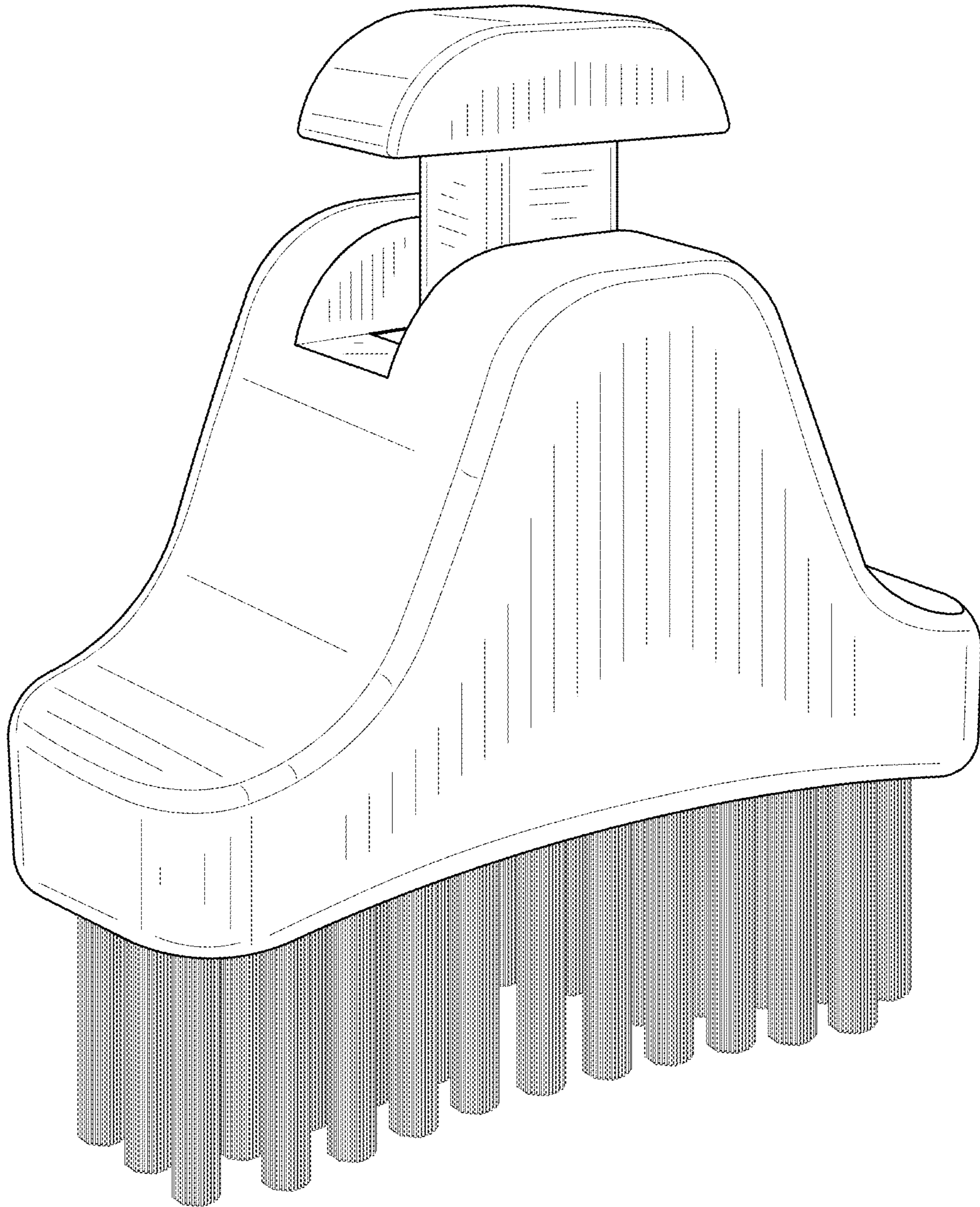


FIG. 1

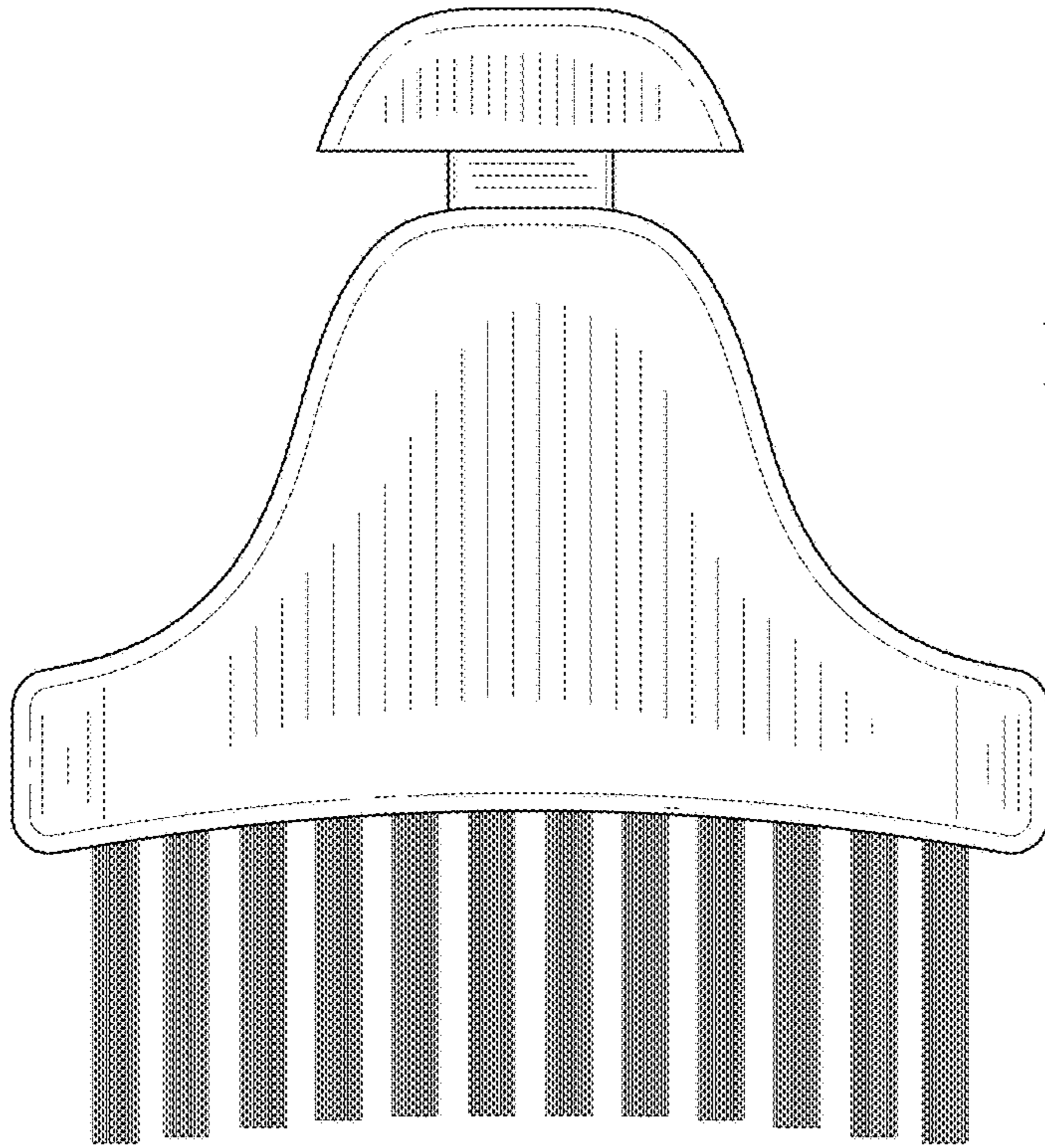
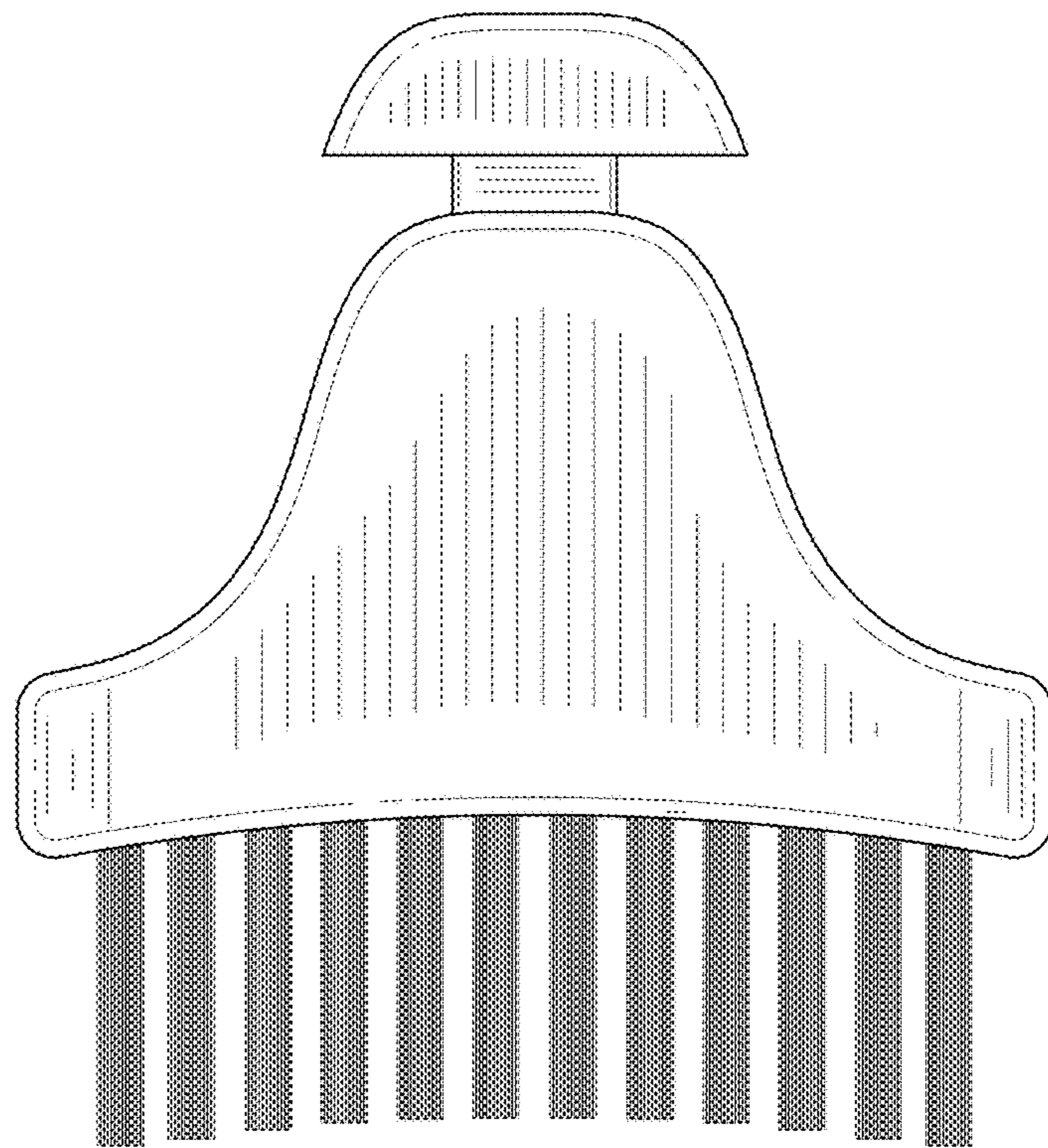


FIG. 2

FIG. 3



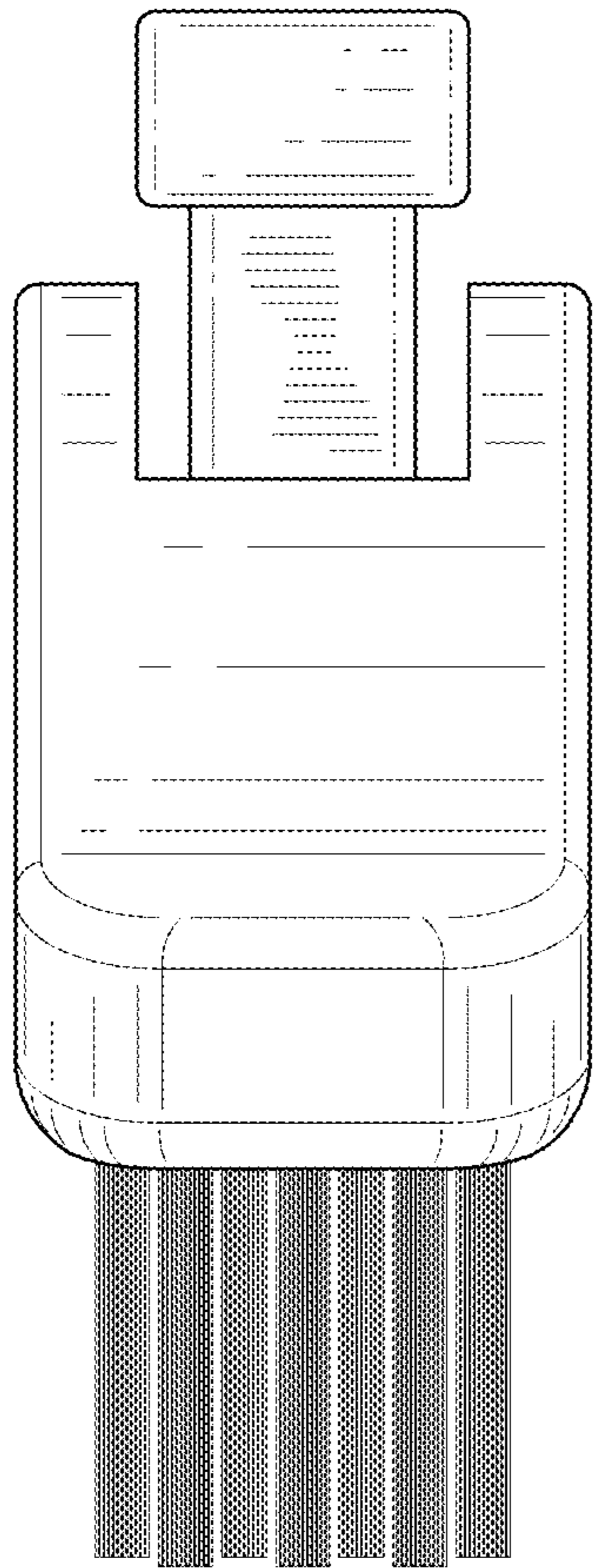


FIG. 4

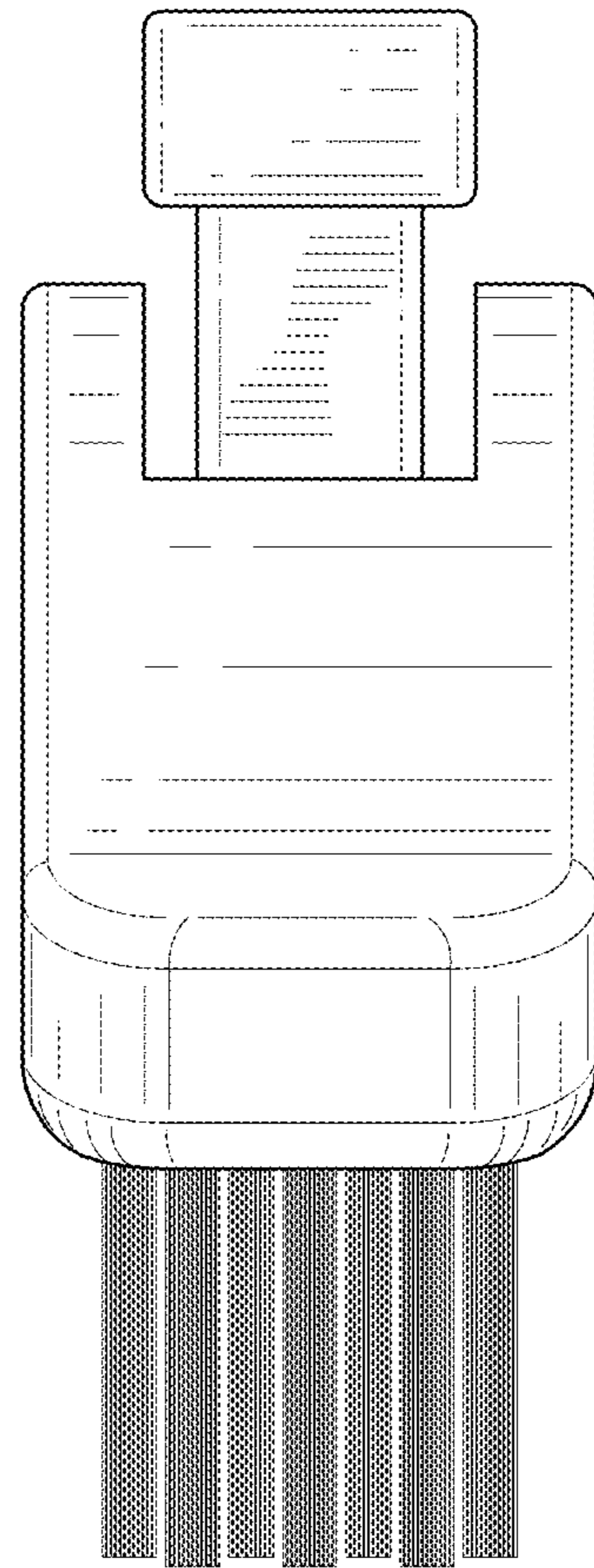


FIG. 5

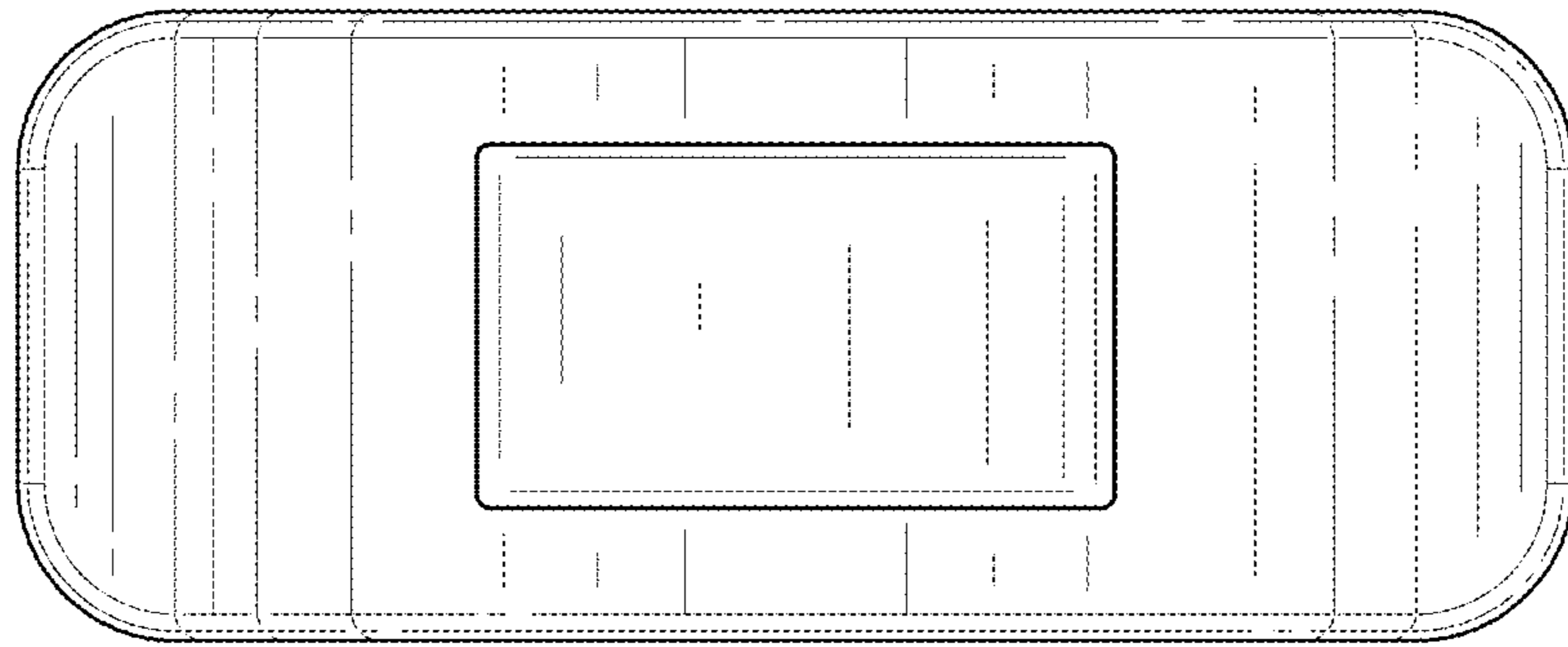


FIG. 6

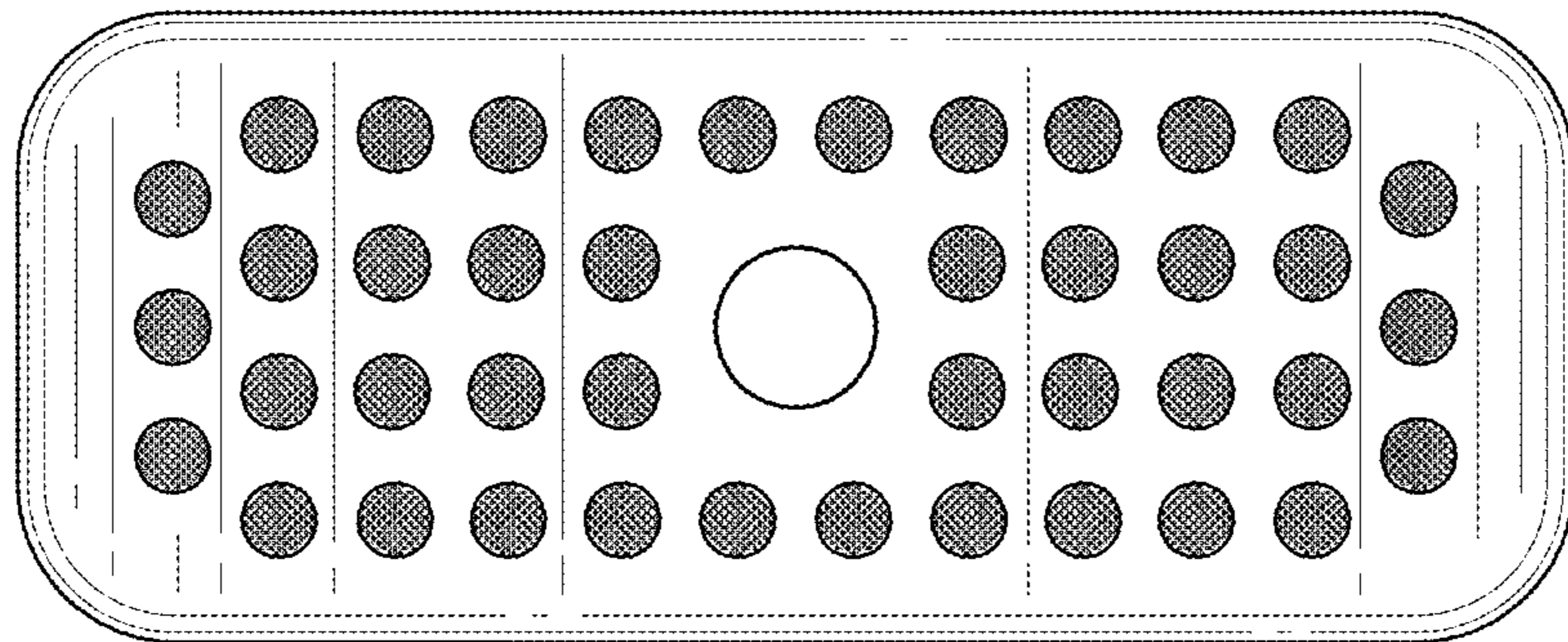


FIG. 7