



US00D807041S

(12) **United States Design Patent**
Flynn

(10) **Patent No.:** **US D807,041 S**

(45) **Date of Patent:** **** Jan. 9, 2018**

(54) **TOOTHBRUSH**

D368,374 S * 4/1996 Ashcraft 401/184
D432,791 S * 10/2000 Trempala D4/108

(71) Applicant: **Joelle S. Flynn**, Dana Point, CA (US)

* cited by examiner

(72) Inventor: **Joelle S. Flynn**, Dana Point, CA (US)

Primary Examiner — Karen E Eldridge Powers

(**) Term: **15 Years**

(74) *Attorney, Agent, or Firm* — Kilpatrick Townsend & Stockton LLP

(21) Appl. No.: **29/575,337**

(22) Filed: **Aug. 24, 2016**

(51) **LOC (11) Cl.** **04-02**

(52) **U.S. Cl.**
USPC **D4/104**

(58) **Field of Classification Search**

USPC D4/101, 102, 104, 105, 106, 107, 108,
D4/109, 110, 111, 112, 113
CPC A46B 9/04; A46B 9/10; A46B 11/0006;
A46B 2200/1066

See application file for complete search history.

(57) **CLAIM**

The ornamental design for a toothbrush, as shown and described.

DESCRIPTION

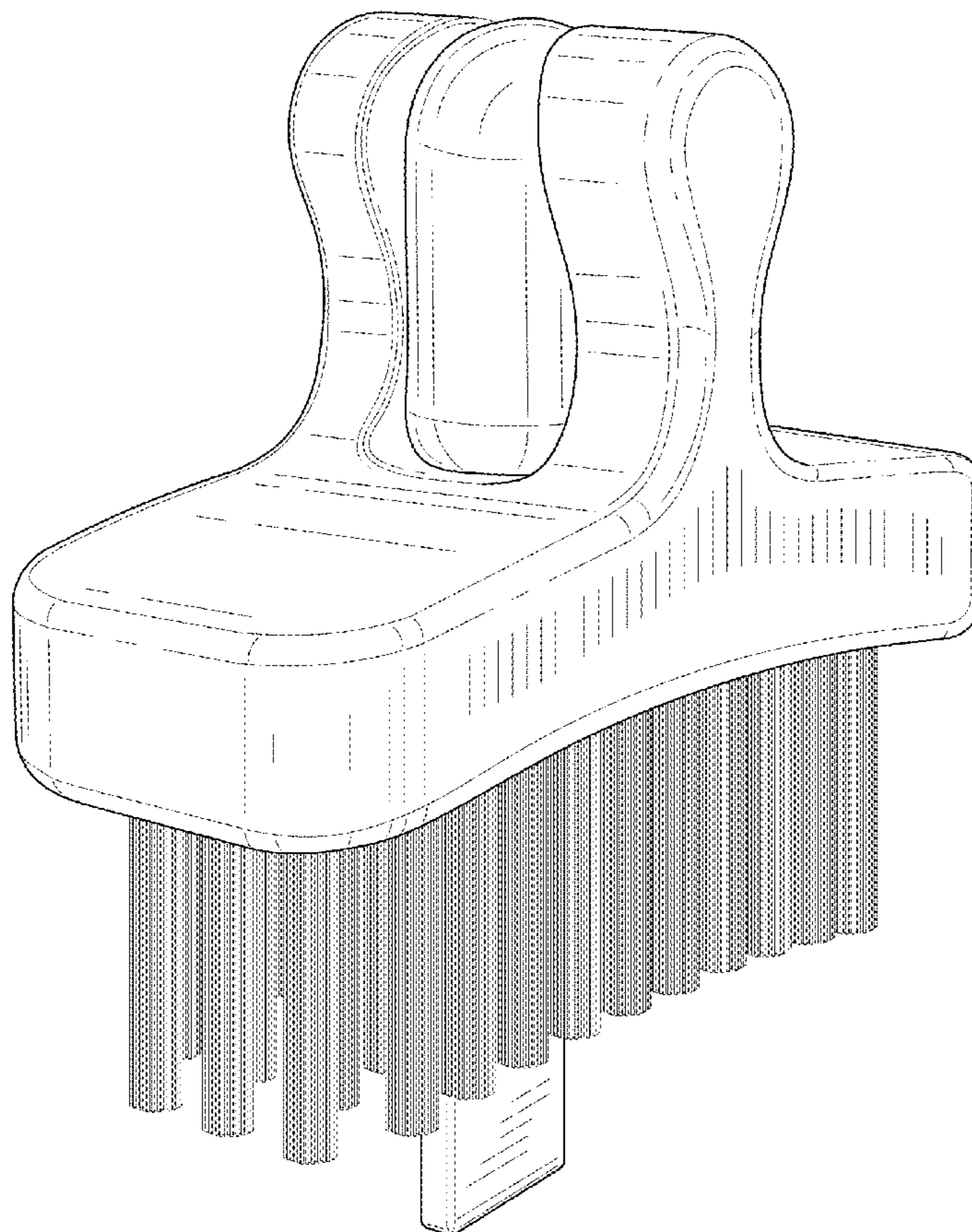
FIG. 1 is a perspective view of the design;
FIG. 2 is a front elevation view thereof;
FIG. 3 is a rear elevation view thereof;
FIG. 4 is a left side elevation view thereof;
FIG. 5 is a right side elevation view thereof;
FIG. 6 is a top plan view thereof; and,
FIG. 7 is a bottom plan view thereof.

(56) **References Cited**

U.S. PATENT DOCUMENTS

2,121,358 A * 6/1938 Loeffler A46B 5/04
15/167.1
2,328,048 A * 8/1943 Bair A46B 11/0055
15/143.1

1 Claim, 4 Drawing Sheets



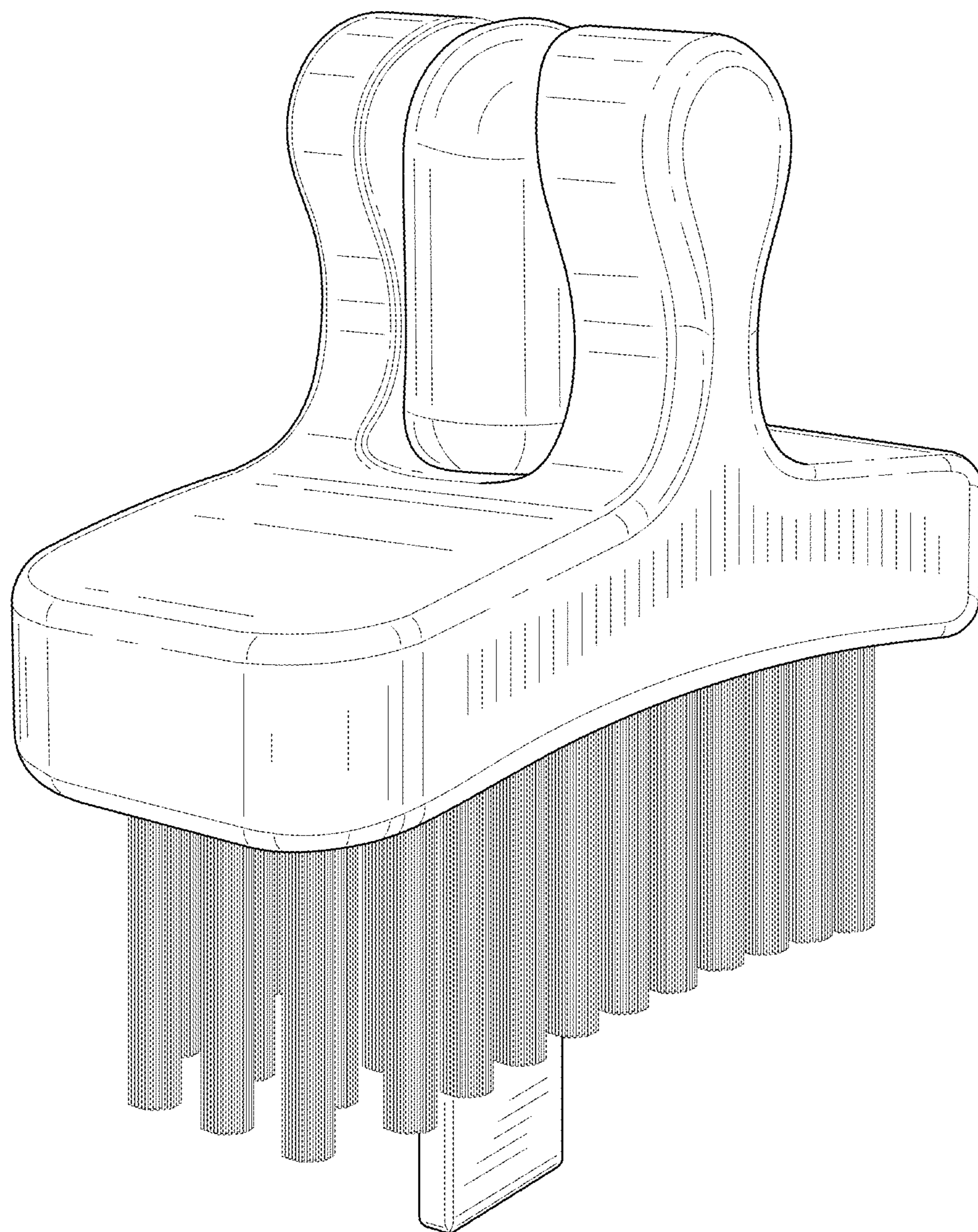


FIG. 1

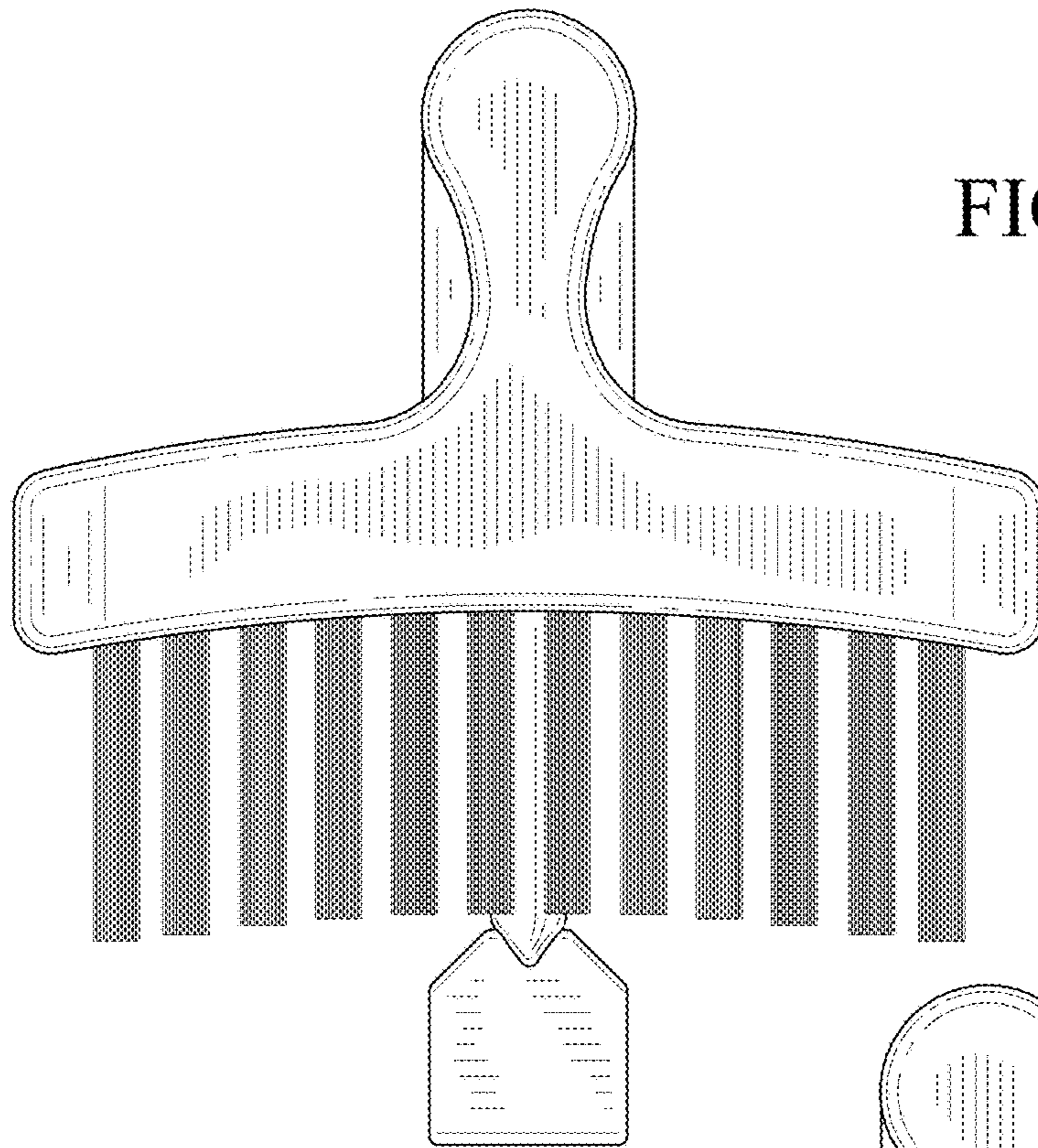
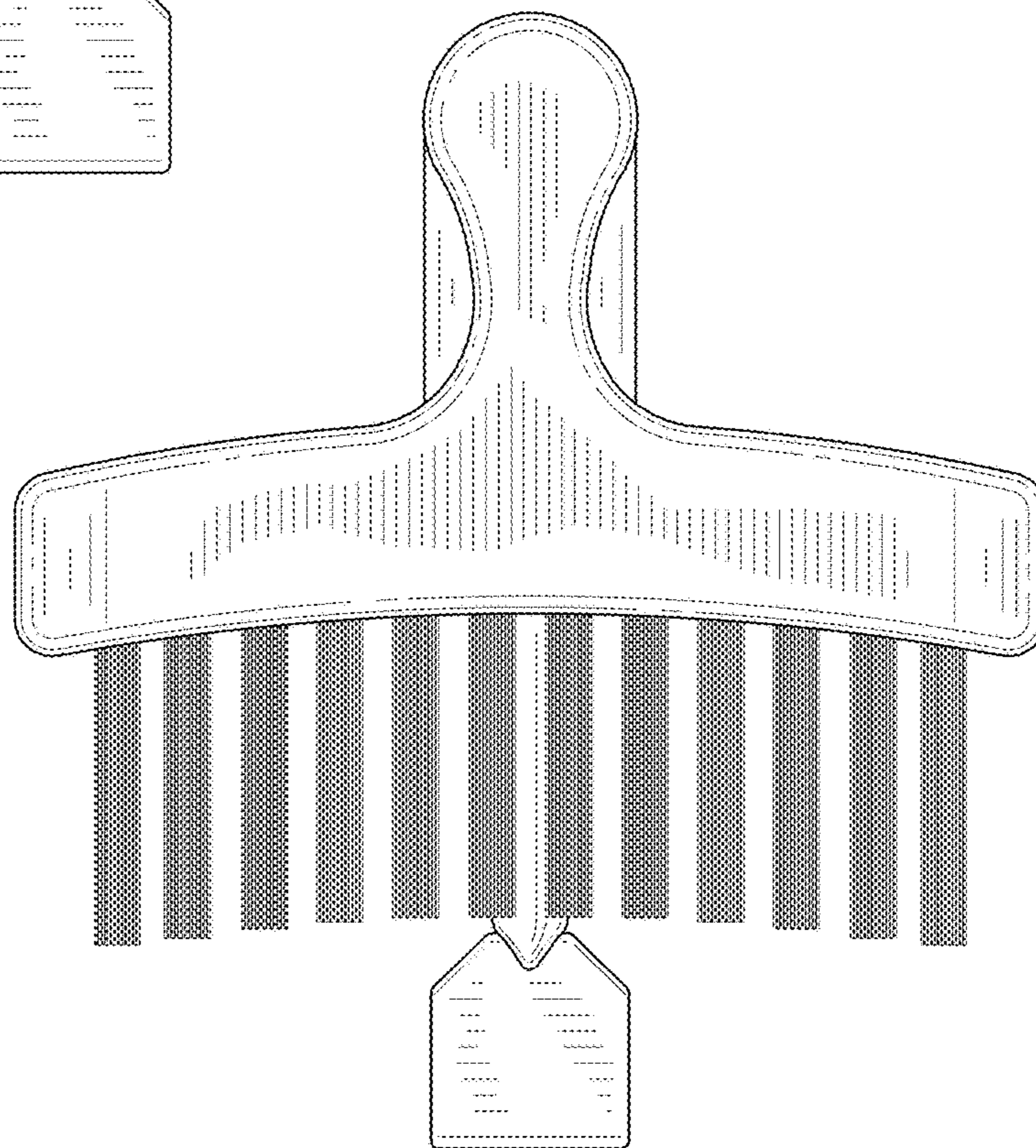


FIG. 2

FIG. 3



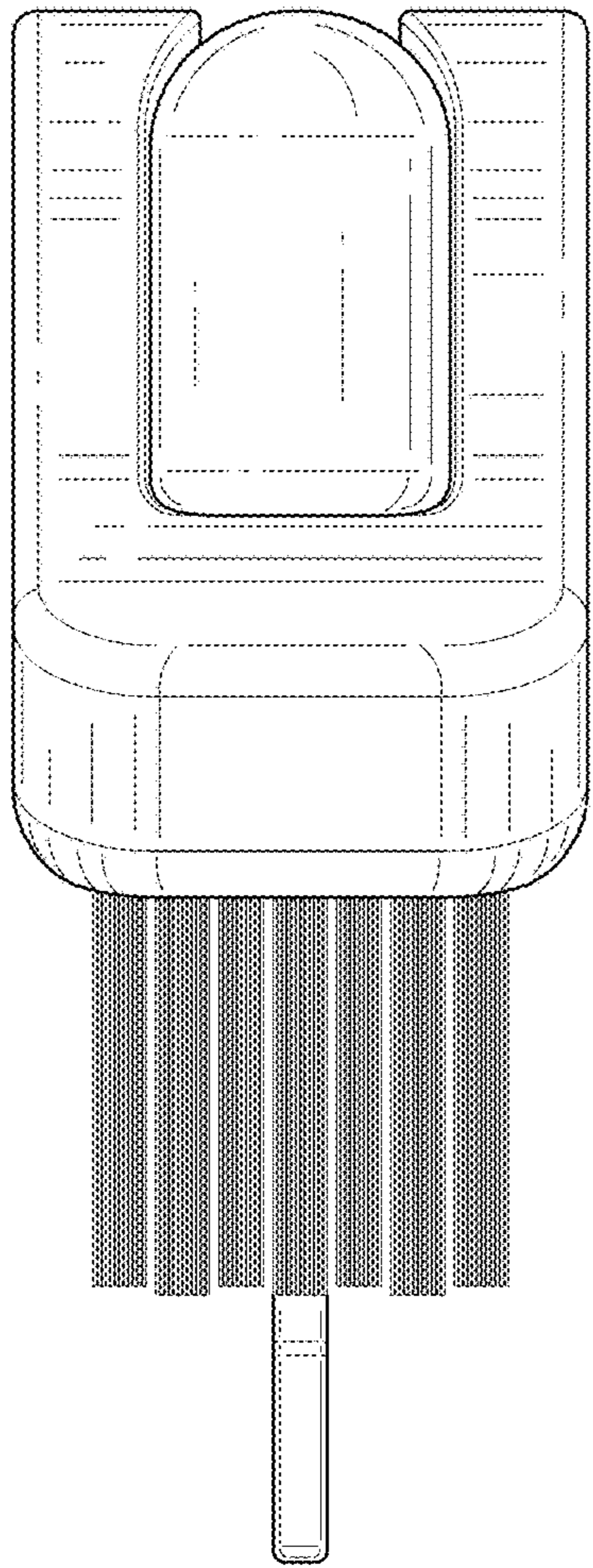


FIG. 4

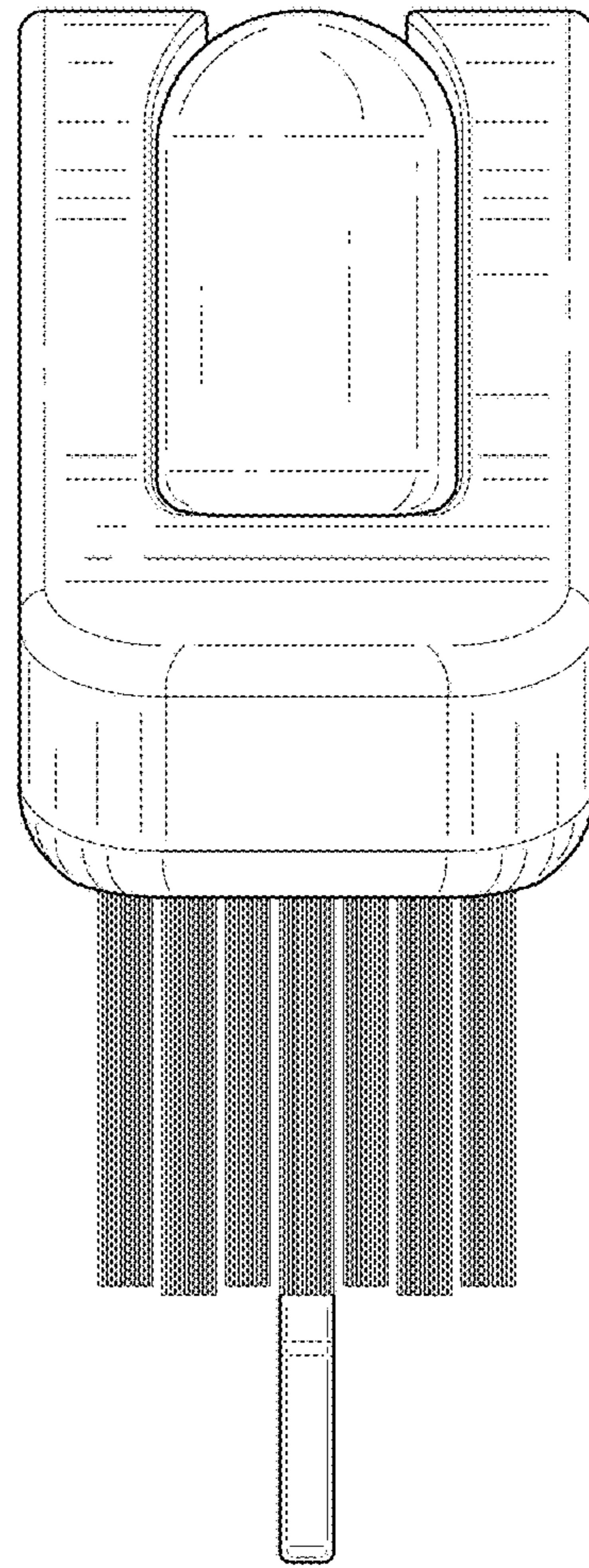


FIG. 5

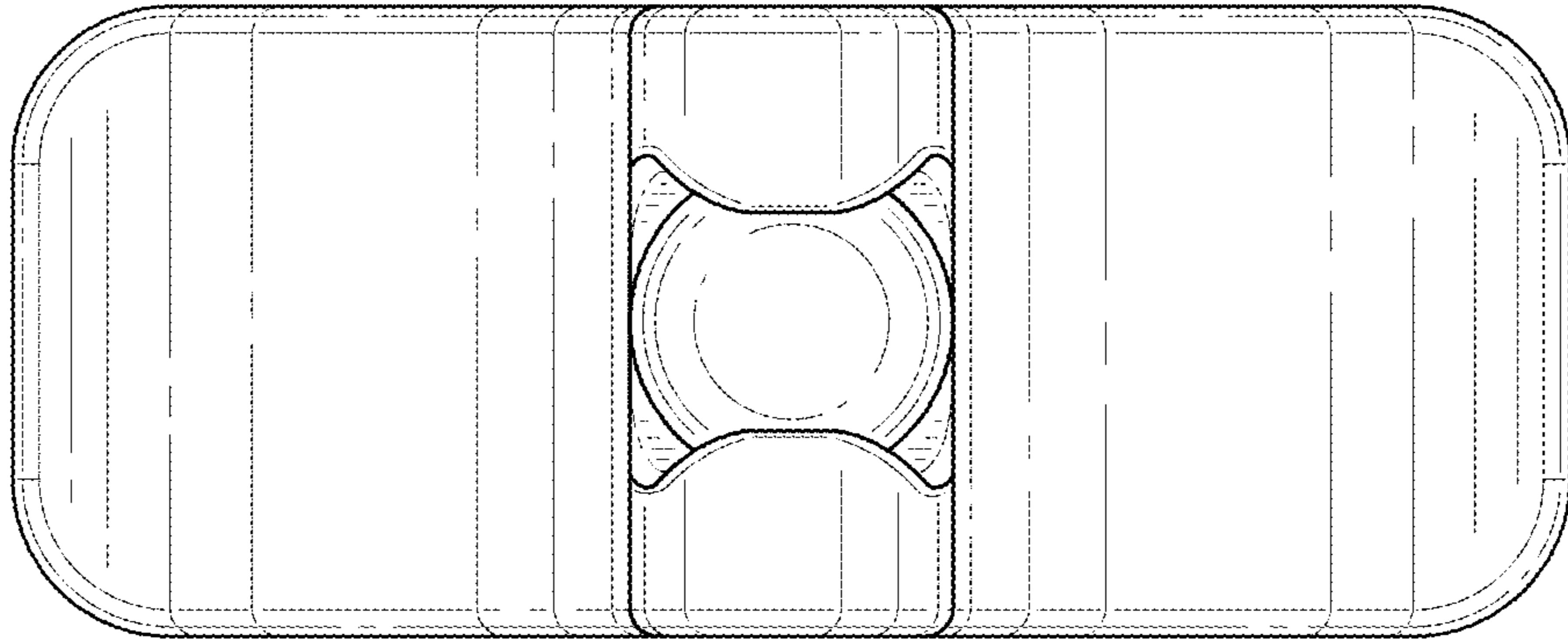


FIG. 6

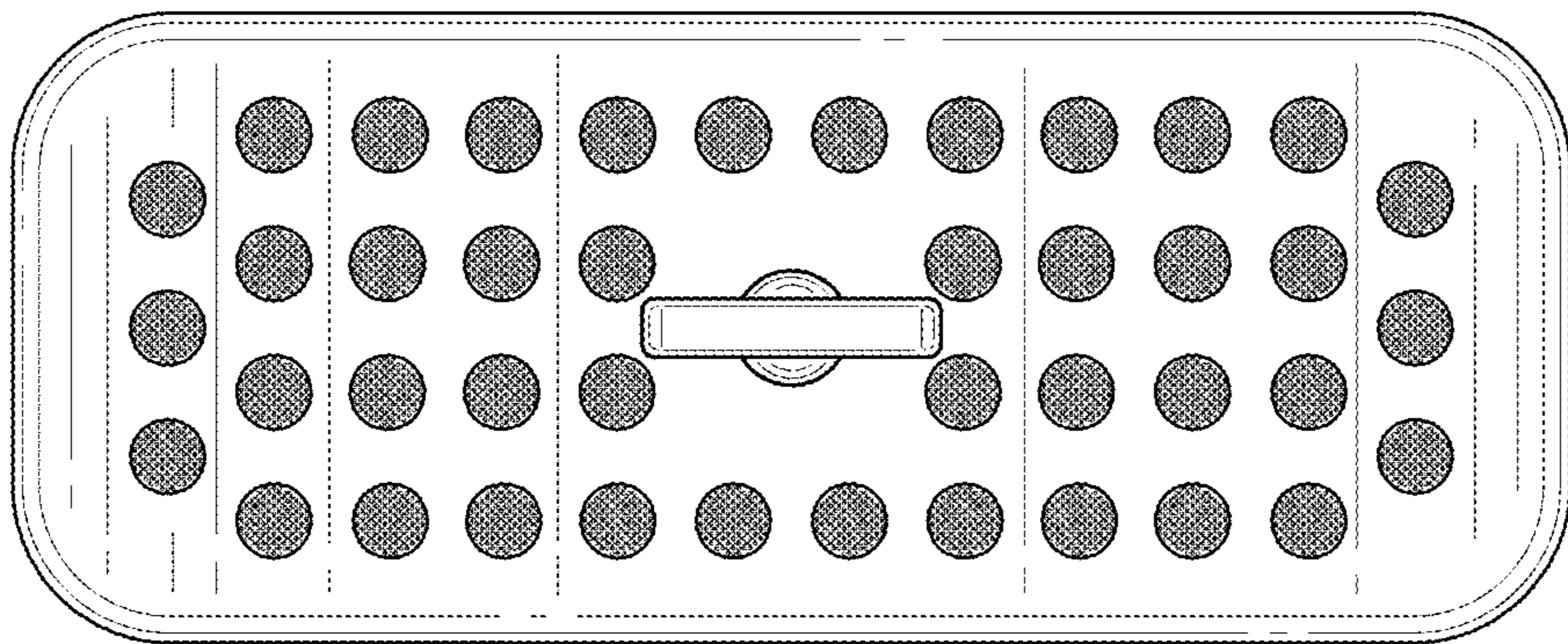


FIG. 7