



US00D807040S

(12) **United States Design Patent**  
**Lai**

(10) **Patent No.:** **US D807,040 S**

(45) **Date of Patent:** **\*\* Jan. 9, 2018**

- (54) **PISTOL CASE**
- (71) Applicant: **Focus-On Tools**, Hangzhou (CN)
- (72) Inventor: **Yue Jiang Lai**, Hangzhou (CN)
- (73) Assignee: **FOCUS-ON-TOOLS**, Binjiang District, Hangzhou (CN)
- (\*\*) Term: **15 Years**
- (21) Appl. No.: **29/586,165**
- (22) Filed: **Dec. 1, 2016**
- (51) **LOC (11) Cl.** ..... **03-01**
- (52) **U.S. Cl.**  
USPC ..... **D3/318**; D3/262
- (58) **Field of Classification Search**  
USPC ..... D3/273, 285, 289, 294, 262, 318  
CPC ..... B65D 21/04; B65D 21/02; B65D 85/30;  
B65D 81/02  
See application file for complete search history.

- D443,415 S \* 6/2001 Hung ..... D3/273
- D481,868 S \* 11/2003 Cunningham ..... D3/273
- D506,062 S \* 6/2005 Whalen ..... D3/262
- D724,320 S \* 3/2015 Russell ..... D3/273
- D771,380 S \* 11/2016 Minneman ..... D3/262

\* cited by examiner

*Primary Examiner* — Holly H Baynham

(74) *Attorney, Agent, or Firm* — David J. Pitman;  
Fulwider Patton LLP

(57) **CLAIM**

The ornamental design for a pistol case, as shown and described.

**DESCRIPTION**

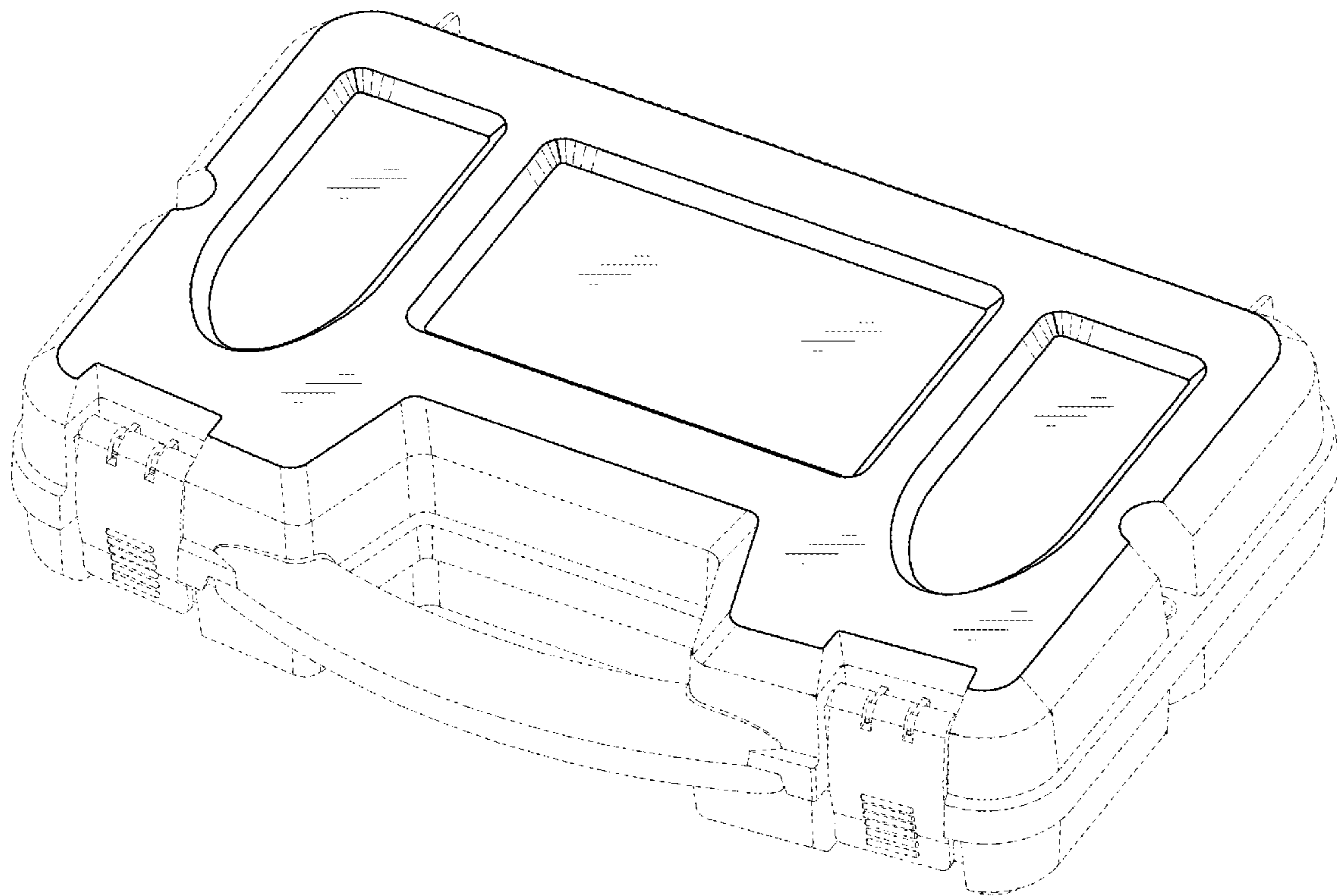
FIG. 1 is a perspective view of a military style case, showing our new design;  
 FIG. 2 is a top view thereof;  
 FIG. 3 is a front view thereof;  
 FIG. 4 is a back view thereof;  
 FIG. 5 is a left side view thereof; and,  
 FIG. 6 is a right side view thereof.  
 A bottom view is not shown as it form no part of my design. Those portions of the figures shown in dotted lines form no part of my invention, but are included to show the context and environment of the invention.

(56) **References Cited**

U.S. PATENT DOCUMENTS

- D248,015 S \* 5/1978 Smith ..... D3/294
- D419,768 S \* 2/2000 Richardson ..... D3/273

**1 Claim, 4 Drawing Sheets**



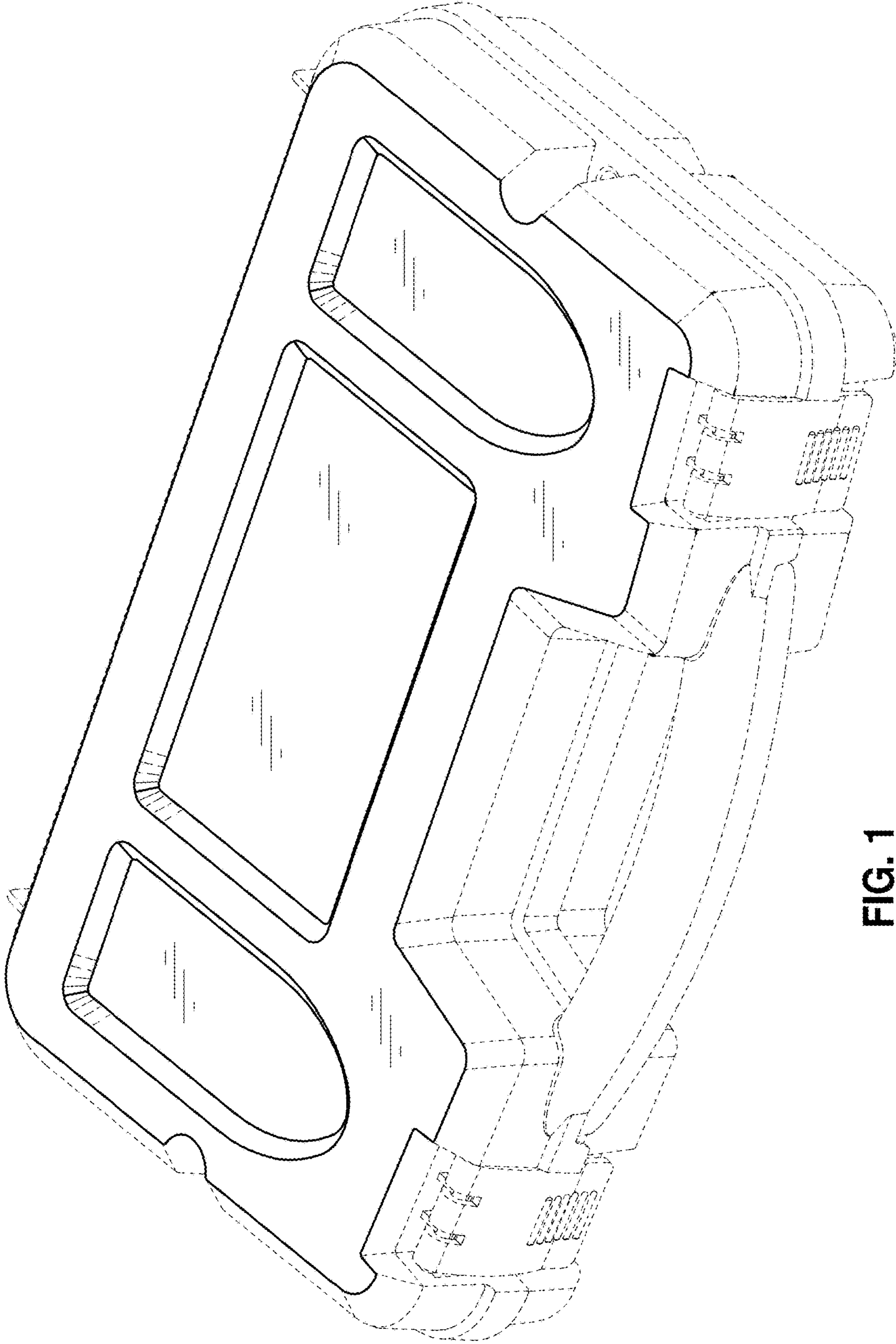


FIG. 1

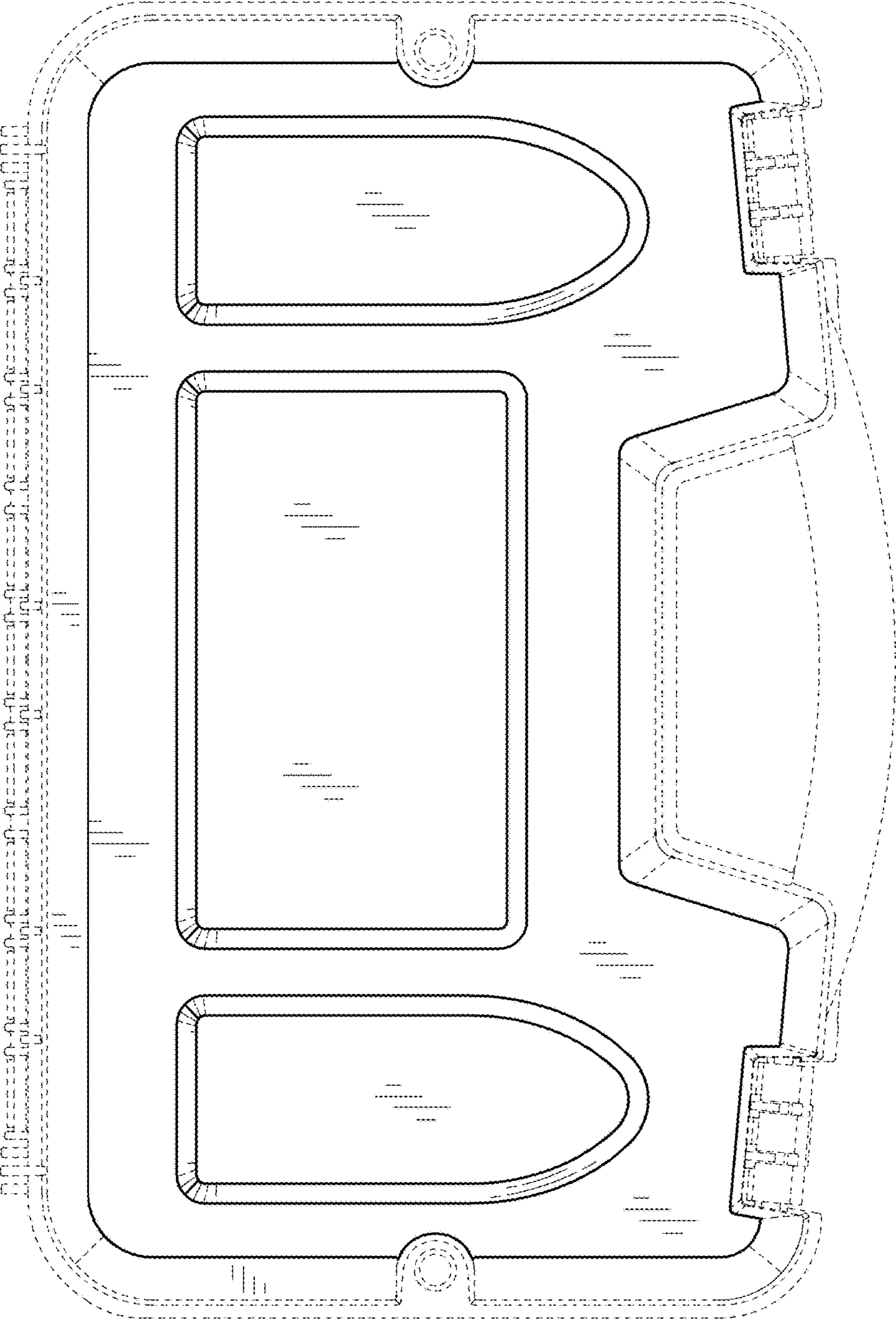


FIG. 2

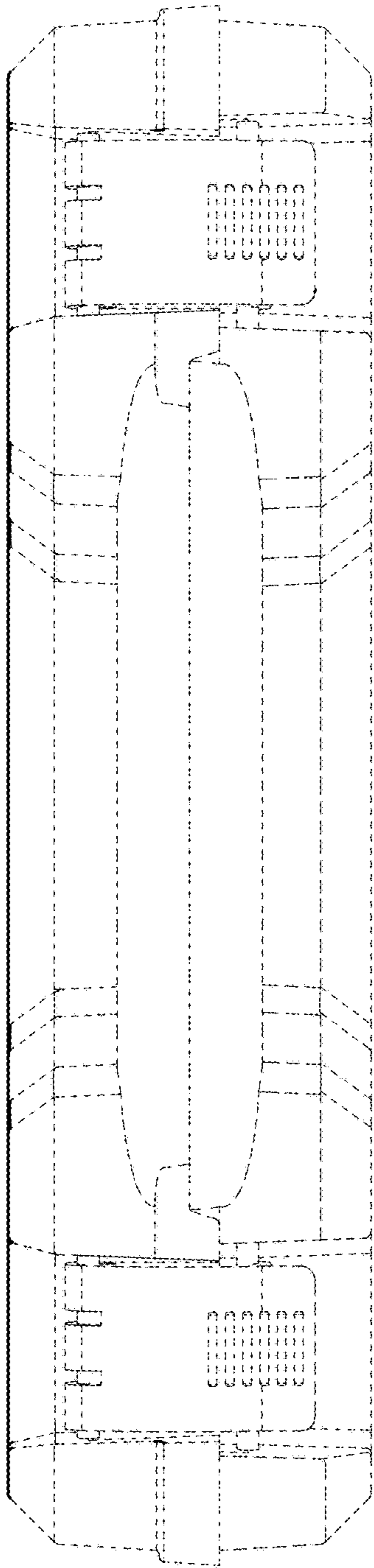


FIG. 3

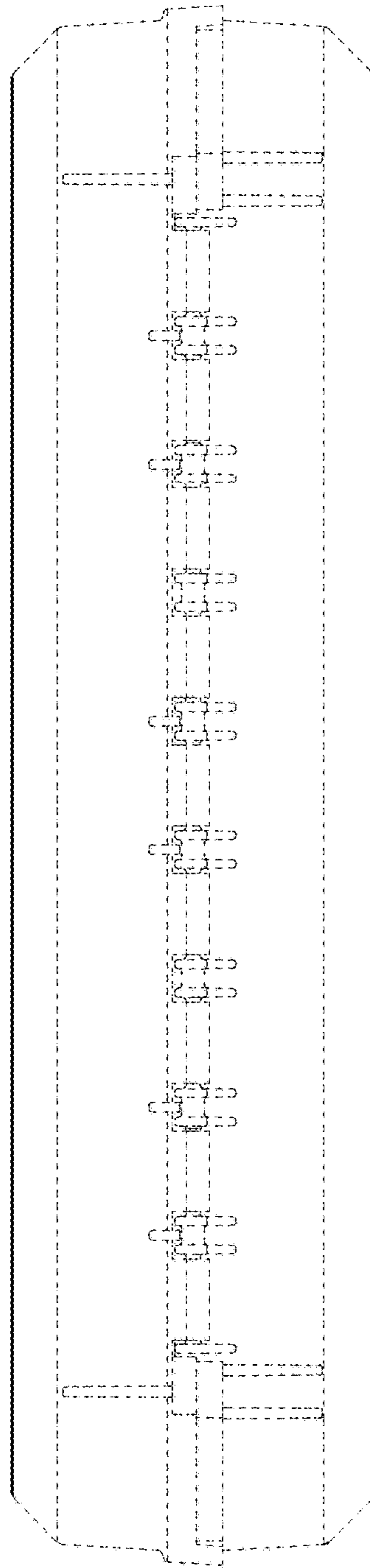


FIG. 4

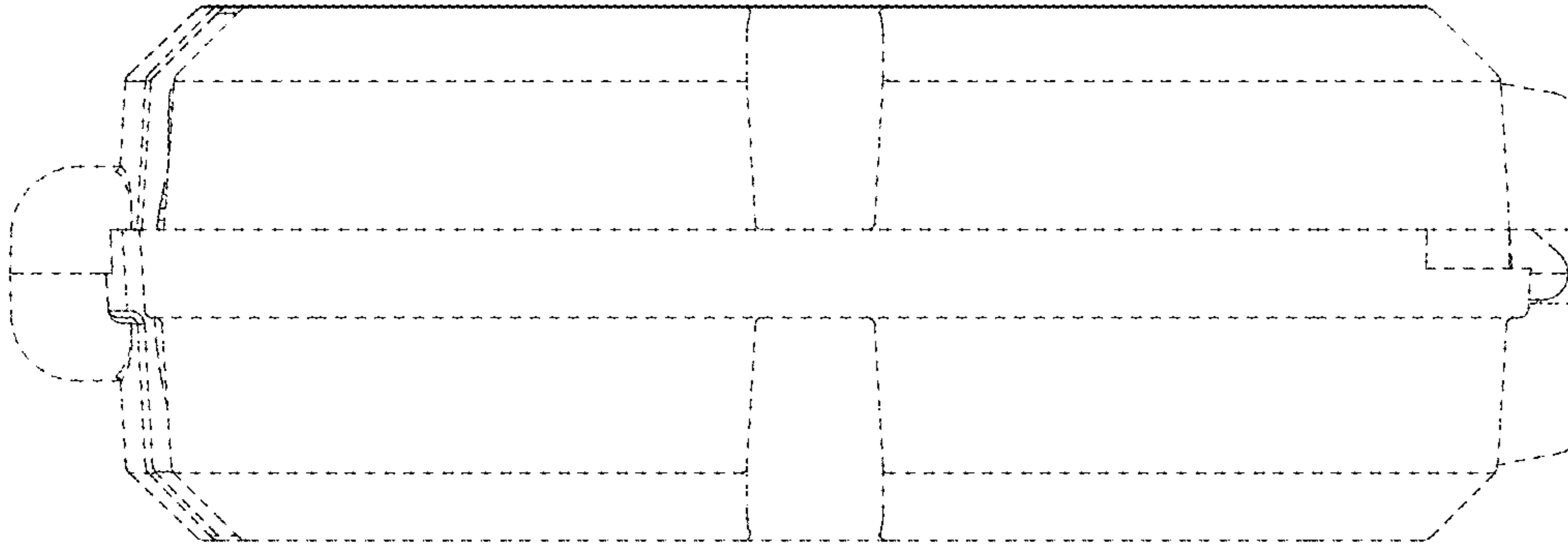


FIG. 6

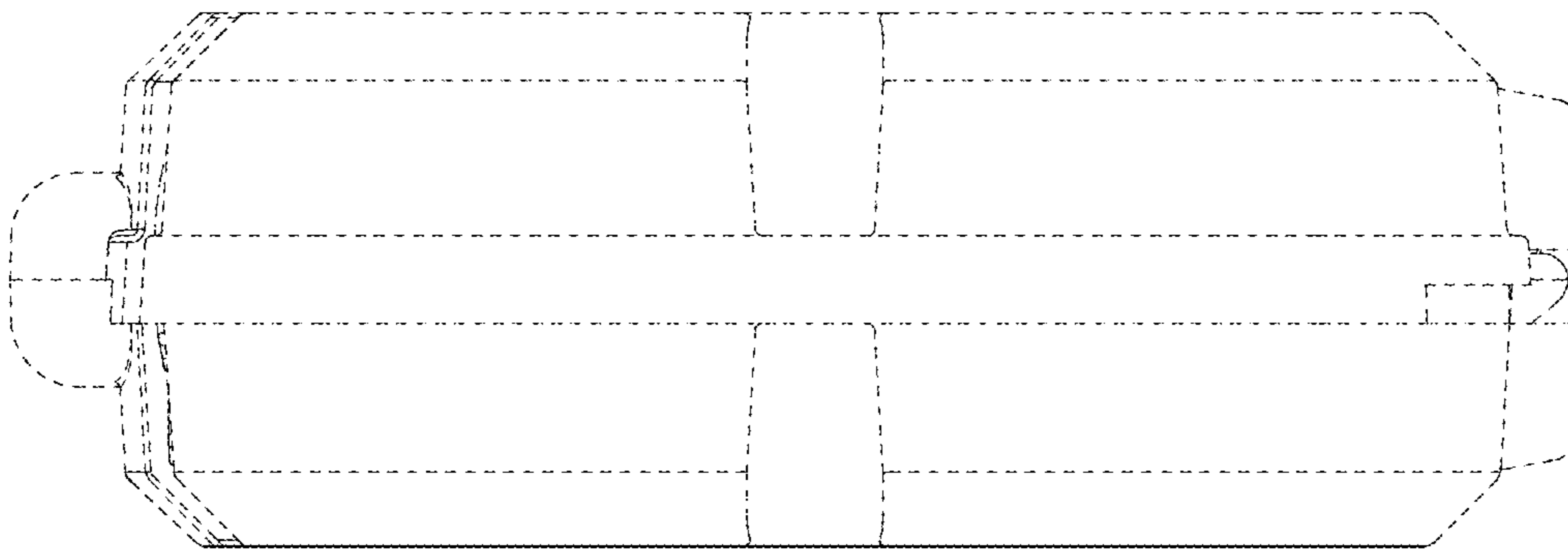


FIG. 5