



US00D807038S

(12) **United States Design Patent**
Chen

(10) **Patent No.:** **US D807,038 S**

(45) **Date of Patent:** **** Jan. 9, 2018**

(54) **PULL ROD HANDLE FOR LUGGAGE CASE**

(71) Applicant: **Solite International Co., Ltd.**,
Changhua, Changhua County (TW)

(72) Inventor: **Yu Chi Chen**, Changhua (TW)

(73) Assignee: **Solite International Co., Ltd.**,
Changhua (TW)

(**) Term: **15 Years**

(21) Appl. No.: **29/573,257**

(22) Filed: **Aug. 4, 2016**

(51) **LOC (11) Cl.** **03-01**

(52) **U.S. Cl.**
USPC **D3/318**

(58) **Field of Classification Search**
USPC D3/221, 229, 232-246, 254, 255, 273,
D3/281, 294, 300, 315, 318, 319, 320,
D3/321, 322, 323, 324, 327, 328, 328.1,
D3/329, 902-905
CPC ... A63B 47/001; A63B 57/0037; A63B 57/20;
A63B 57/203
See application file for complete search history.

(56) **References Cited**

U.S. PATENT DOCUMENTS

D486,647 S *	2/2004	Nordstrom	D3/318
D504,773 S *	5/2005	Lu	D3/318
D527,183 S *	8/2006	Moon	D3/318
D532,973 S *	12/2006	Moon	D3/318
D607,644 S *	1/2010	Wu	D3/318
D665,581 S *	8/2012	Wu	D3/318
D673,371 S *	1/2013	Sheikh	D3/318

D674,192 S *	1/2013	Li	D3/318
D677,896 S *	3/2013	Wu	D3/318
D681,954 S *	5/2013	Jiang	D3/318
D691,808 S *	10/2013	Wu	D3/318
D692,670 S *	11/2013	Wu	D3/318
D695,016 S *	12/2013	Moon	D3/318
D712,152 S *	9/2014	Tong	D3/318
D730,057 S *	5/2015	Tong	D3/318
D771,948 S *	11/2016	Bhatnagar	D3/318
D773,819 S *	12/2016	Sener	D3/318
D774,304 S *	12/2016	Wang	D3/318

* cited by examiner

Primary Examiner — Susan E Krakower

Assistant Examiner — L. A. Grabenstetter

(74) *Attorney, Agent, or Firm* — Alan D. Kamrath;
Kamrath IP Lawfirm, P.A.

(57) **CLAIM**

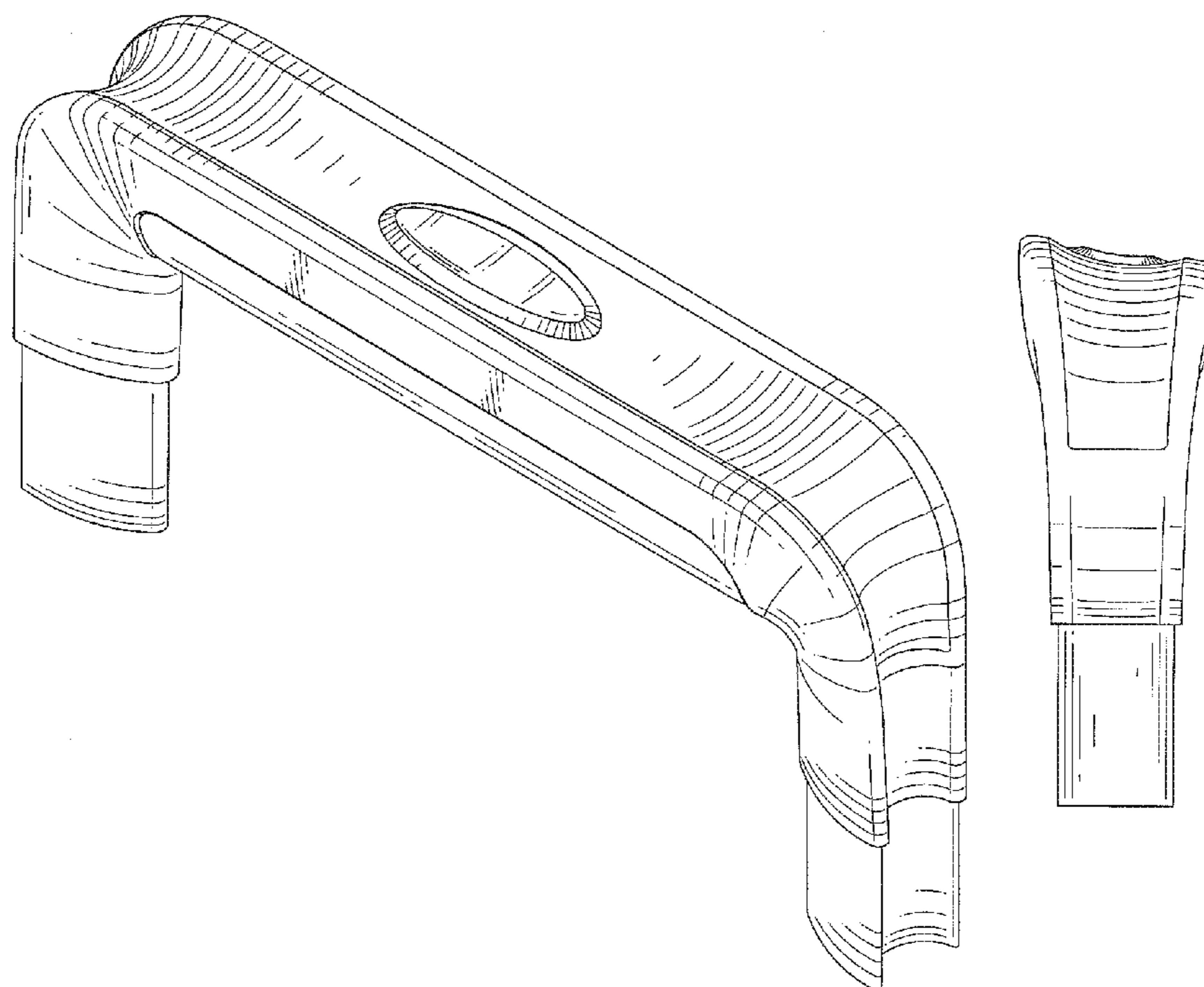
The ornamental design for a pull rod handle for luggage case, as shown and described.

DESCRIPTION

FIG. 1 is a perspective view of a pull rod handle for a luggage case showing my new design;
FIG. 2 is a front view thereof;
FIG. 3 is a rear view thereof;
FIG. 4 is a left view thereof;
FIG. 5 is a right view thereof;
FIG. 6 is a top view thereof; and,
FIG. 7 is a bottom view thereof.

The unshaded surfaces within the circular features on the bottom of the handle in FIG. 7 represent portions of the handle which form no part of the claimed design.

1 Claim, 5 Drawing Sheets



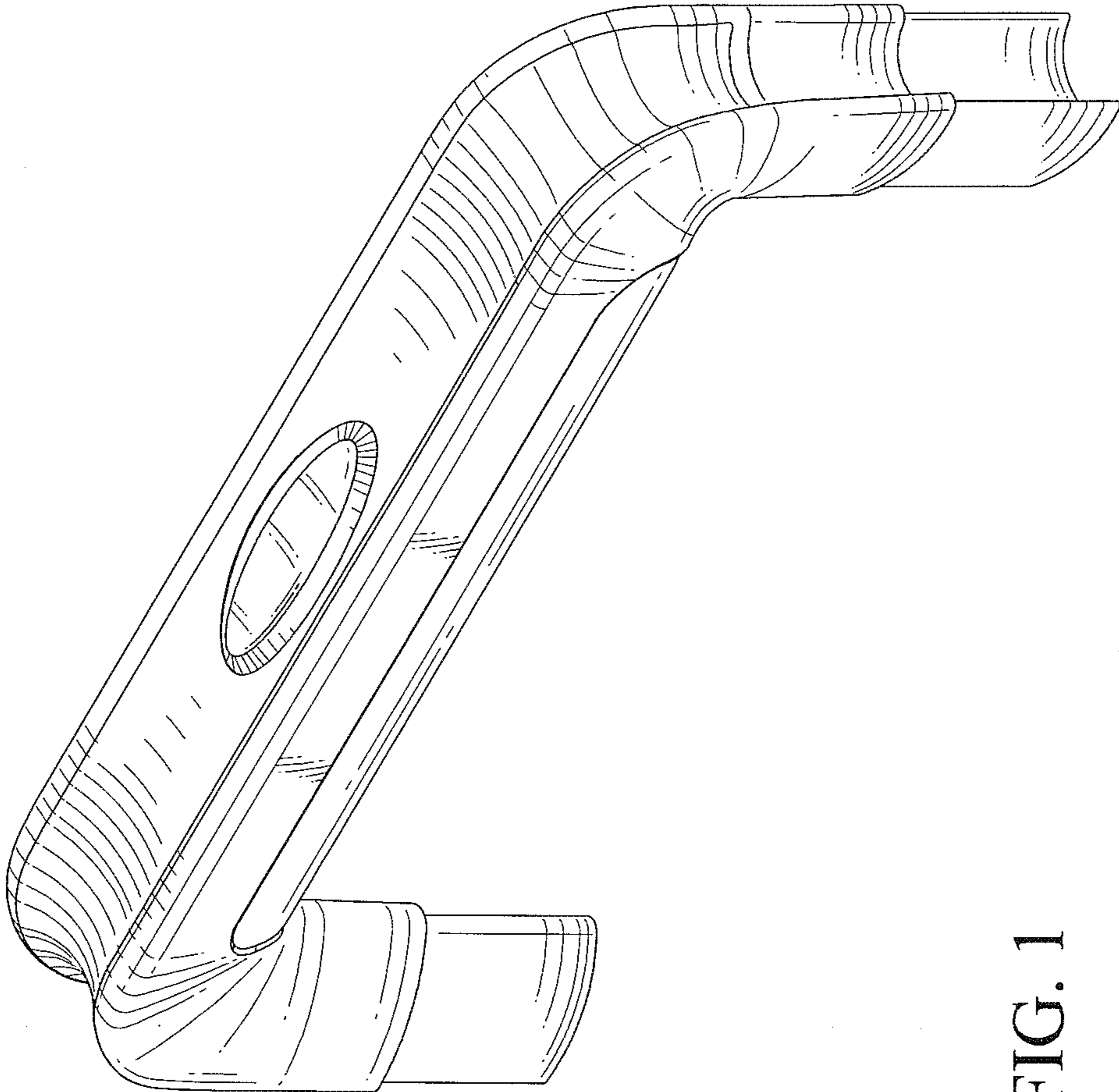


FIG. 1

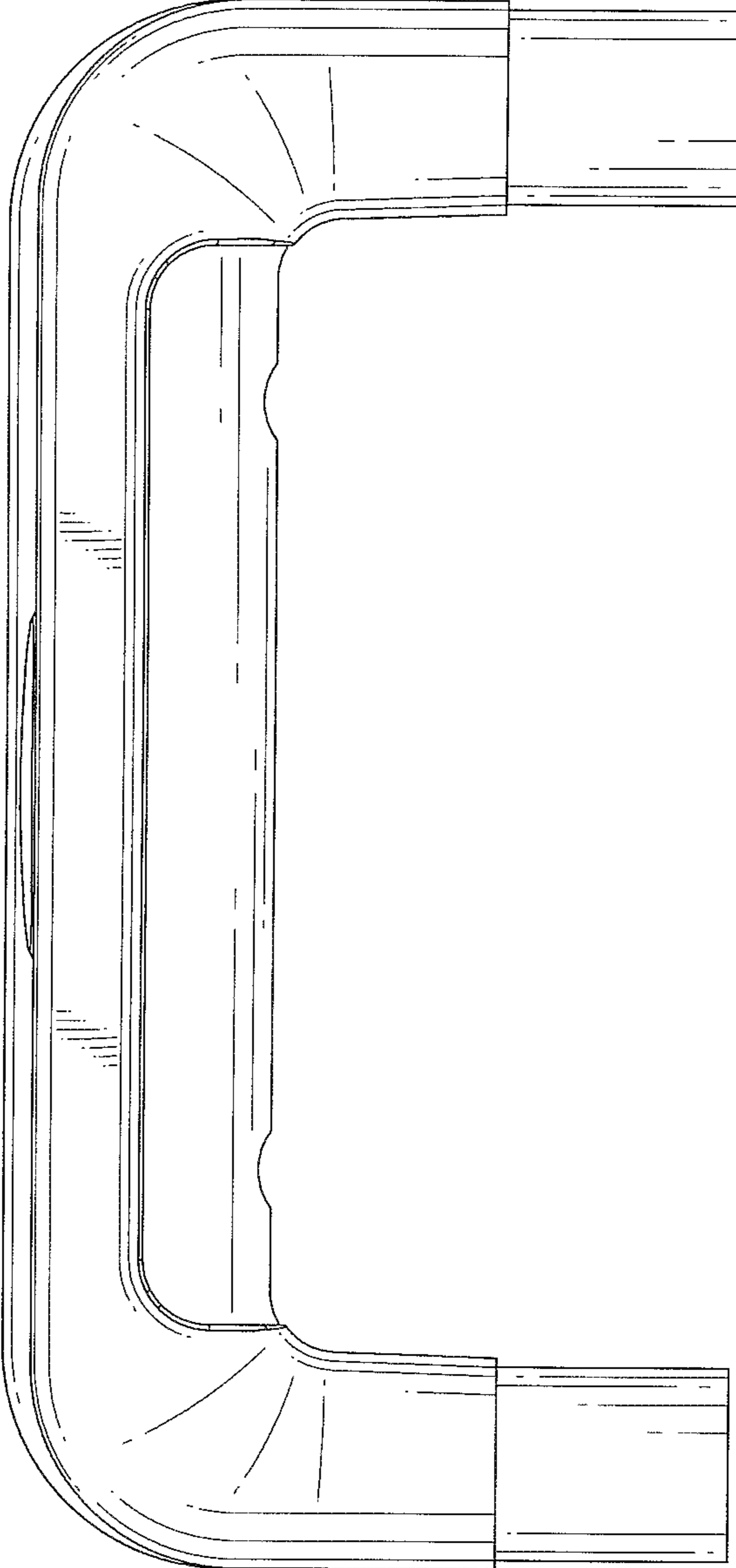


FIG. 2

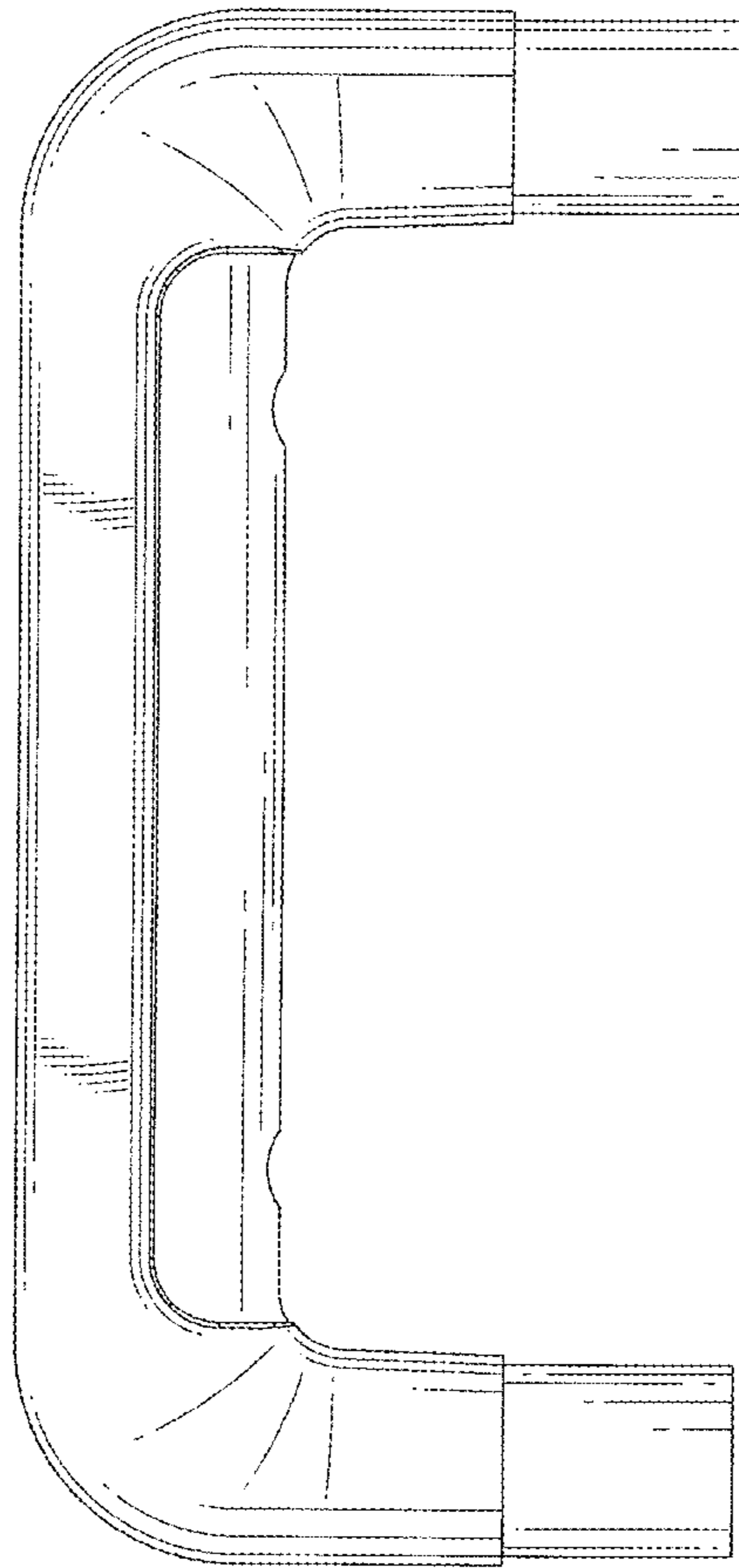


FIG. 3

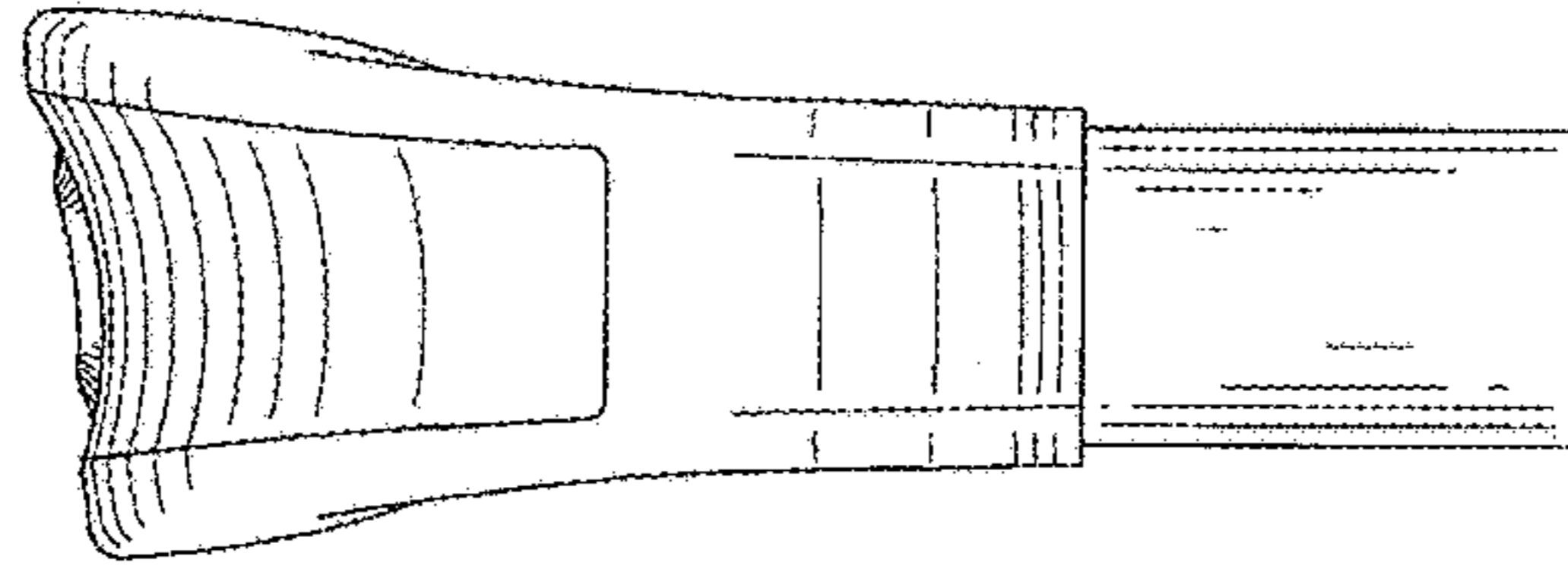


FIG. 5

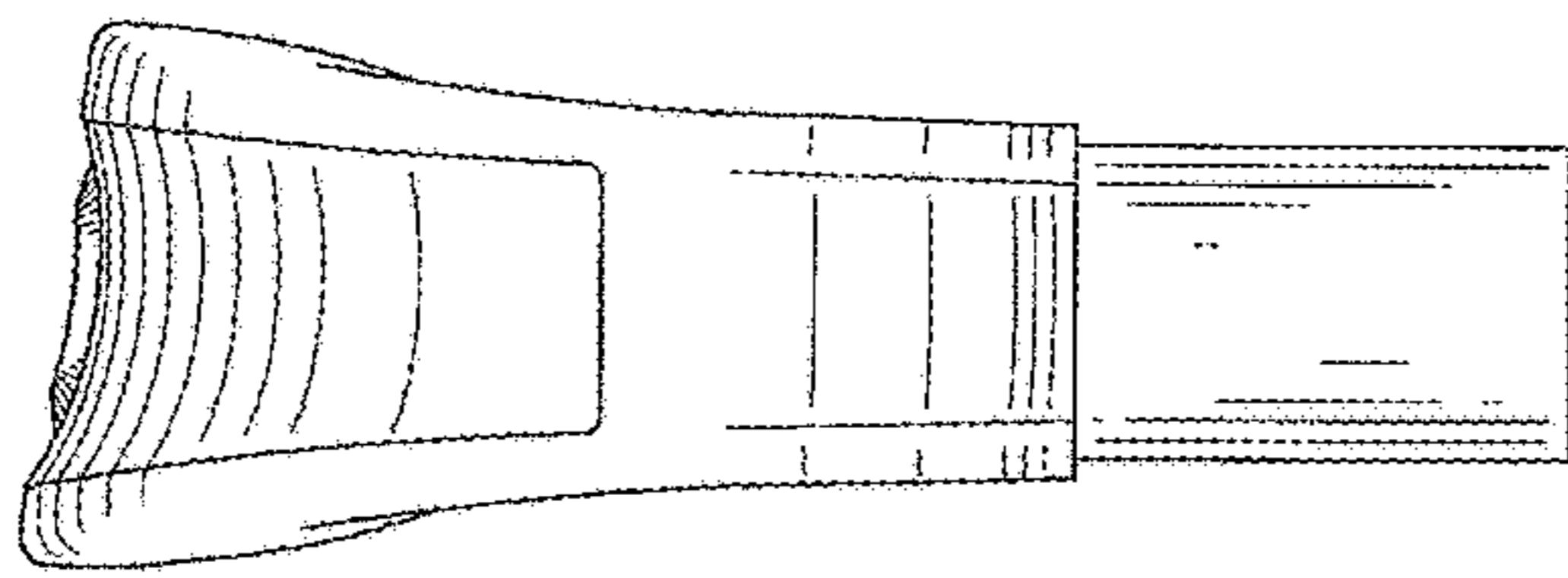


FIG. 4

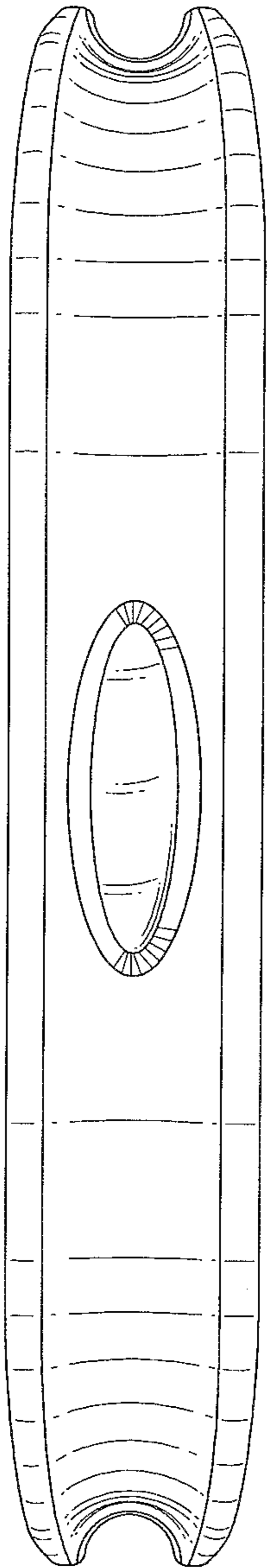


FIG. 6

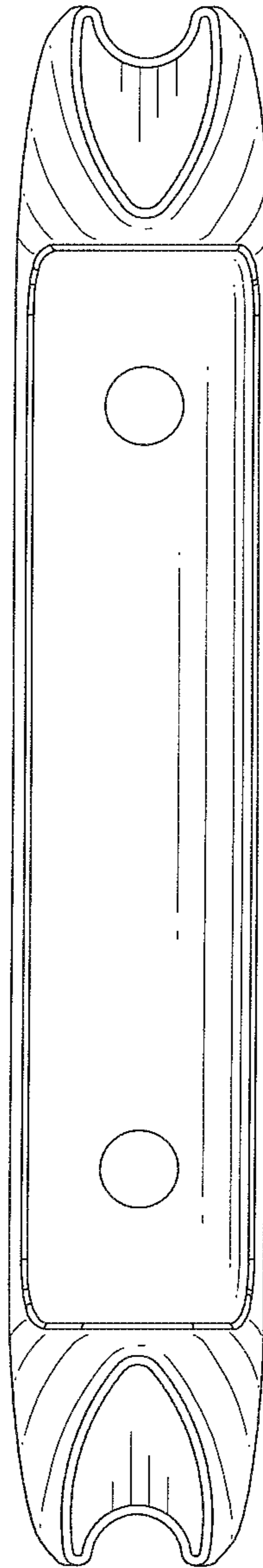


FIG. 7