



US00D807037S

(12) **United States Design Patent**
O'Malley

(10) **Patent No.:** **US D807,037 S**

(45) **Date of Patent:** **** Jan. 9, 2018**

(54) **JEWELRY ORGANIZER**

(71) Applicant: **Kathryn O'Malley**, River Forest, IL
(US)

(72) Inventor: **Kathryn O'Malley**, River Forest, IL
(US)

(**) Term: **15 Years**

(21) Appl. No.: **29/540,460**

(22) Filed: **Sep. 24, 2015**

(51) **LOC (11) Cl.** **03-01**

(52) **U.S. Cl.**
USPC **D3/314**

(58) **Field of Classification Search**
USPC D7/550.1, 553.2, 553.3; D6/672, 675,
D6/680, 680.2, 682, 682.3, 682.4;
D3/304, 314, 311
CPC A45C 11/16; A47G 29/08; B65D 21/02;
B65D 21/0209
See application file for complete search history.

(56) **References Cited**

U.S. PATENT DOCUMENTS

D244,810 S * 6/1977 Patterson D6/680.2
D326,587 S * 6/1992 Convertini D30/129

D514,388 S * 2/2006 Dukemajian D7/590
D575,556 S * 8/2008 Rohkar, Jr. D6/682
D595,538 S * 7/2009 Starck D7/396.1
D607,666 S * 1/2010 Isbell D6/672
D621,663 S * 8/2010 Cantwell D7/505
8,292,097 B2* 10/2012 Goldberg A47F 7/024
206/560

* cited by examiner

Primary Examiner — Kelley Donnelly

(74) *Attorney, Agent, or Firm* — Charles T. Riggs, Jr.

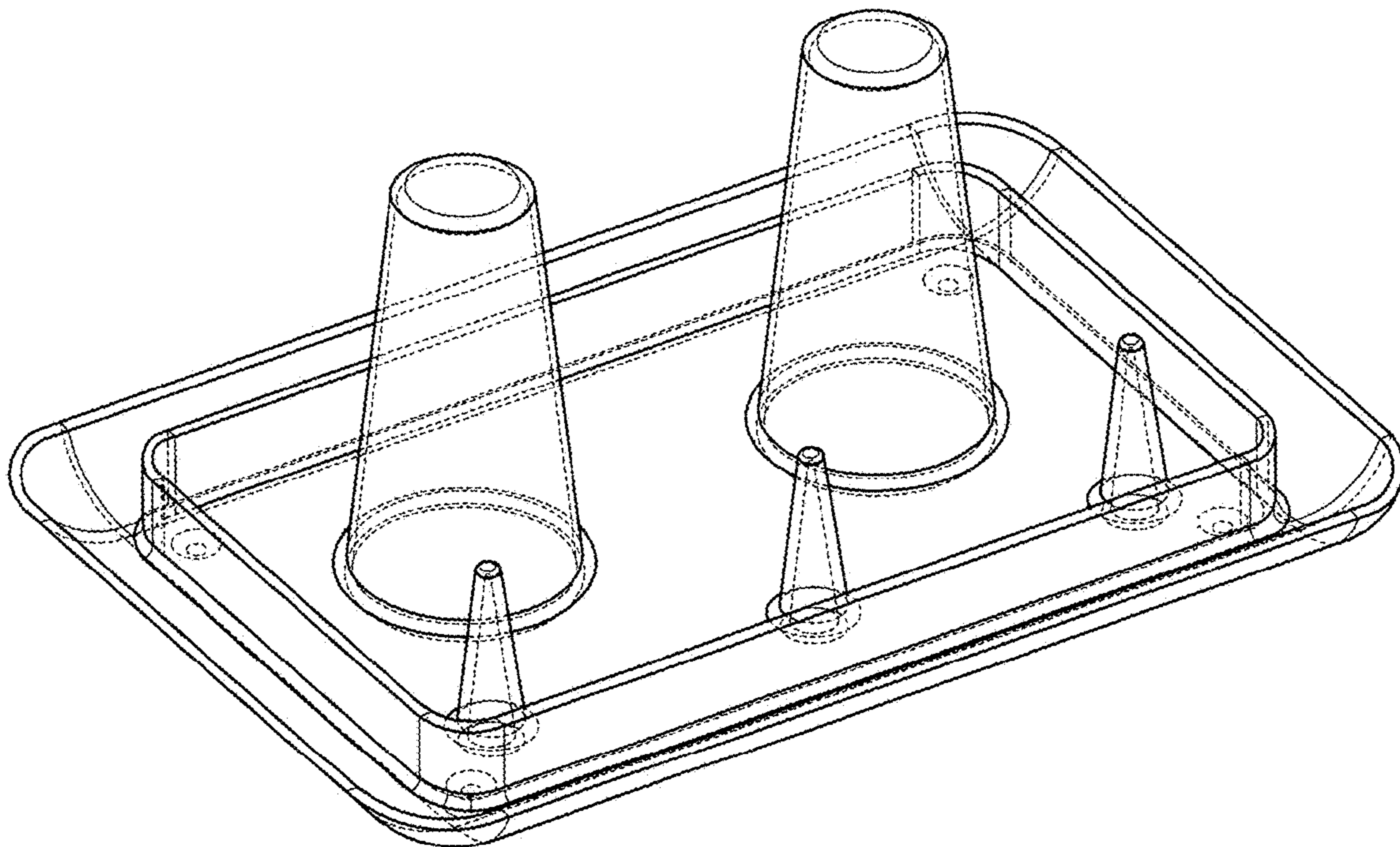
(57) **CLAIM**

The ornamental design for jewelry organizer, as shown and described.

DESCRIPTION

FIG. 1 is a perspective view of the jewelry organizer.
FIG. 2 is a side view thereof.
FIG. 3 is a top view thereof.
FIG. 4 is a perspective view shown with environment; and,
FIG. 5 is a side view thereof.
The broken lines in the drawing figures are for the purpose of showing environment.

1 Claim, 5 Drawing Sheets



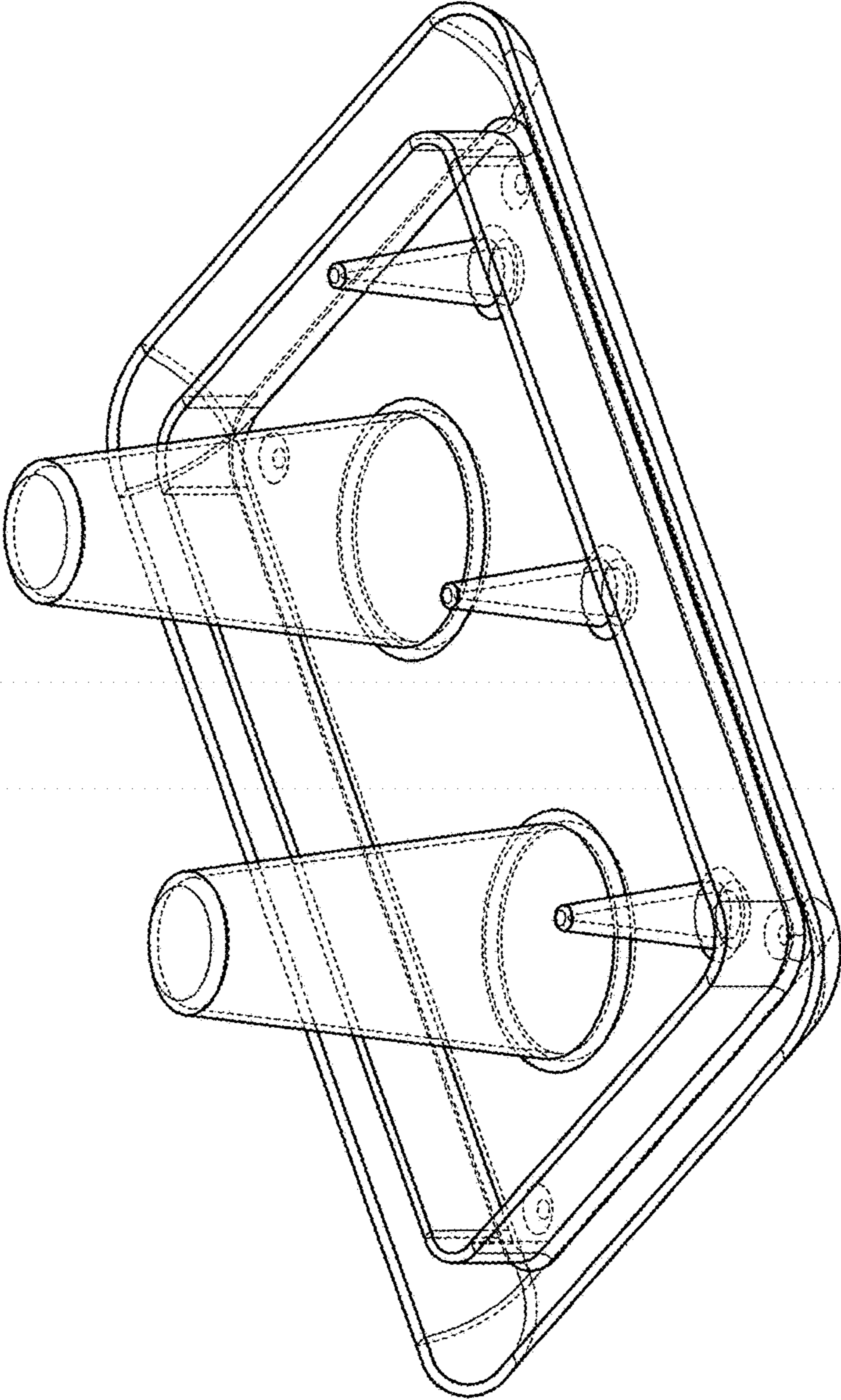


FIG. 1

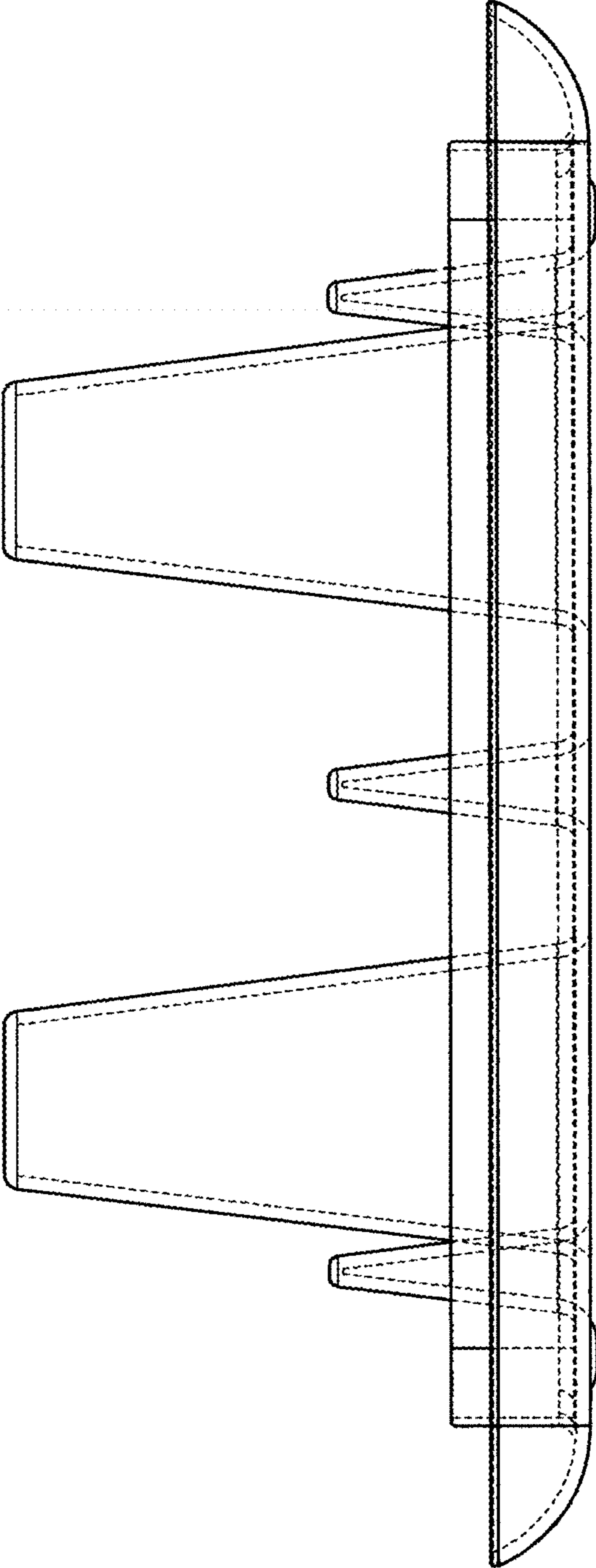


FIG. 2

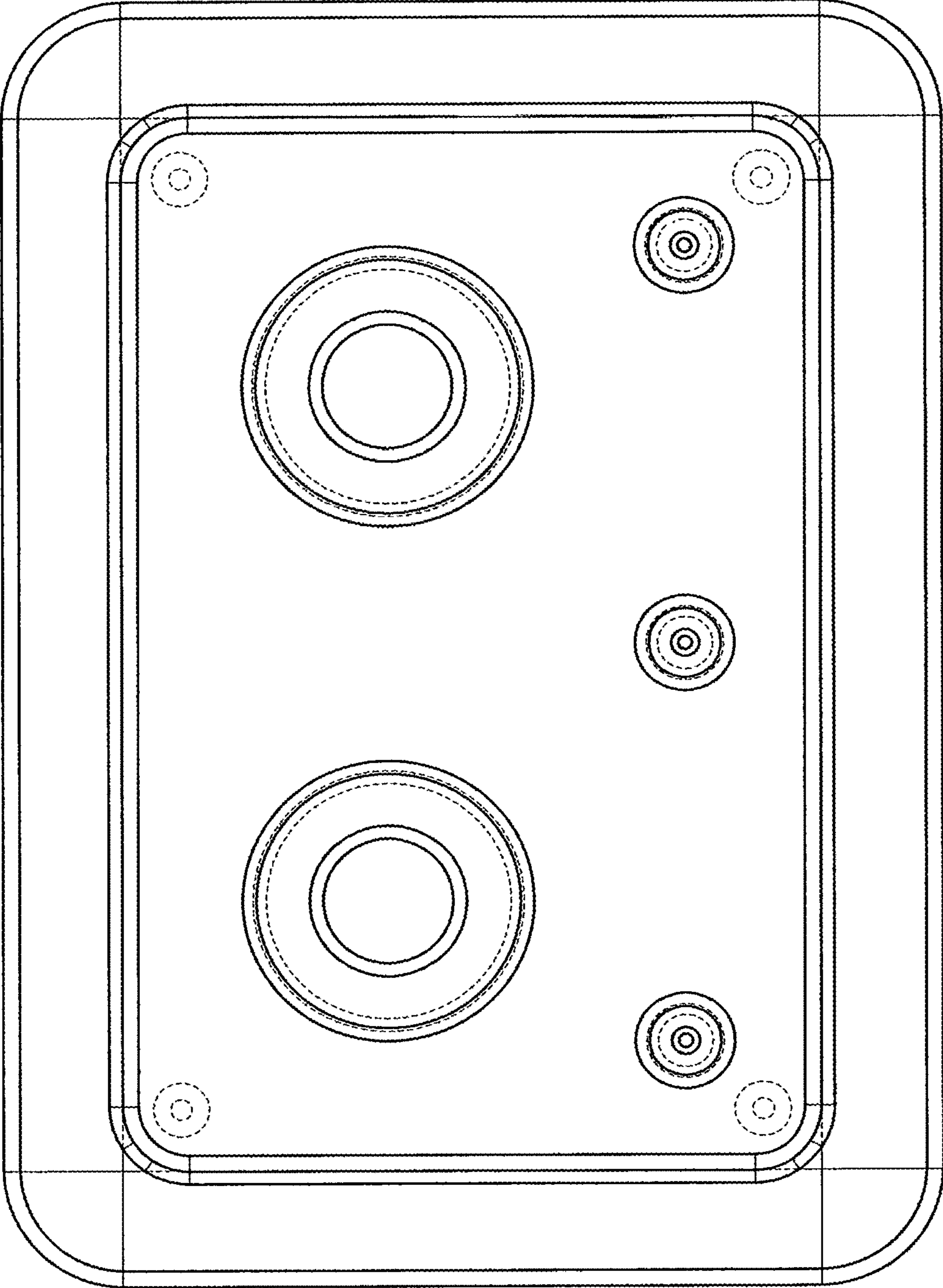


FIG. 3

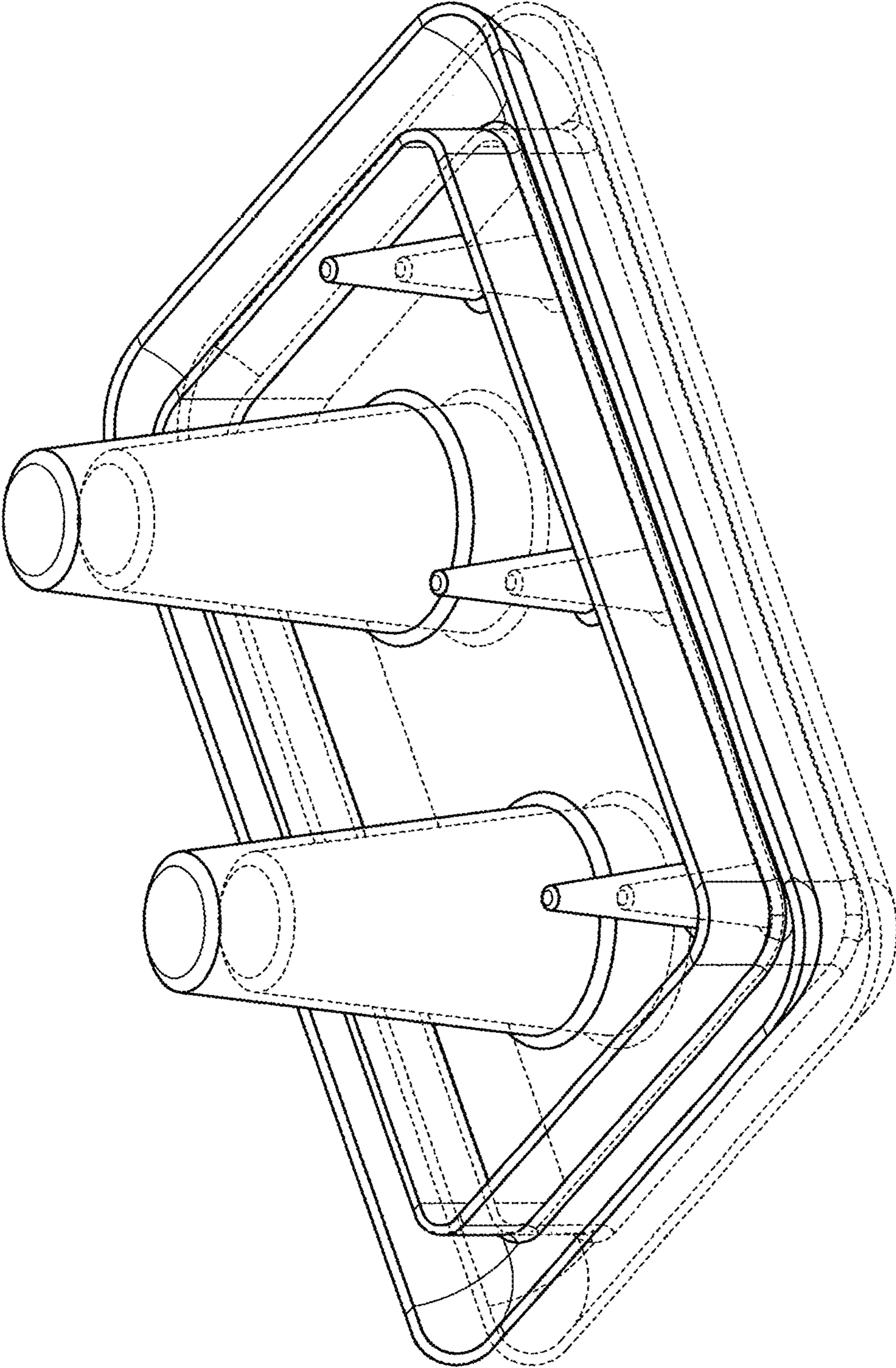


FIG. 4

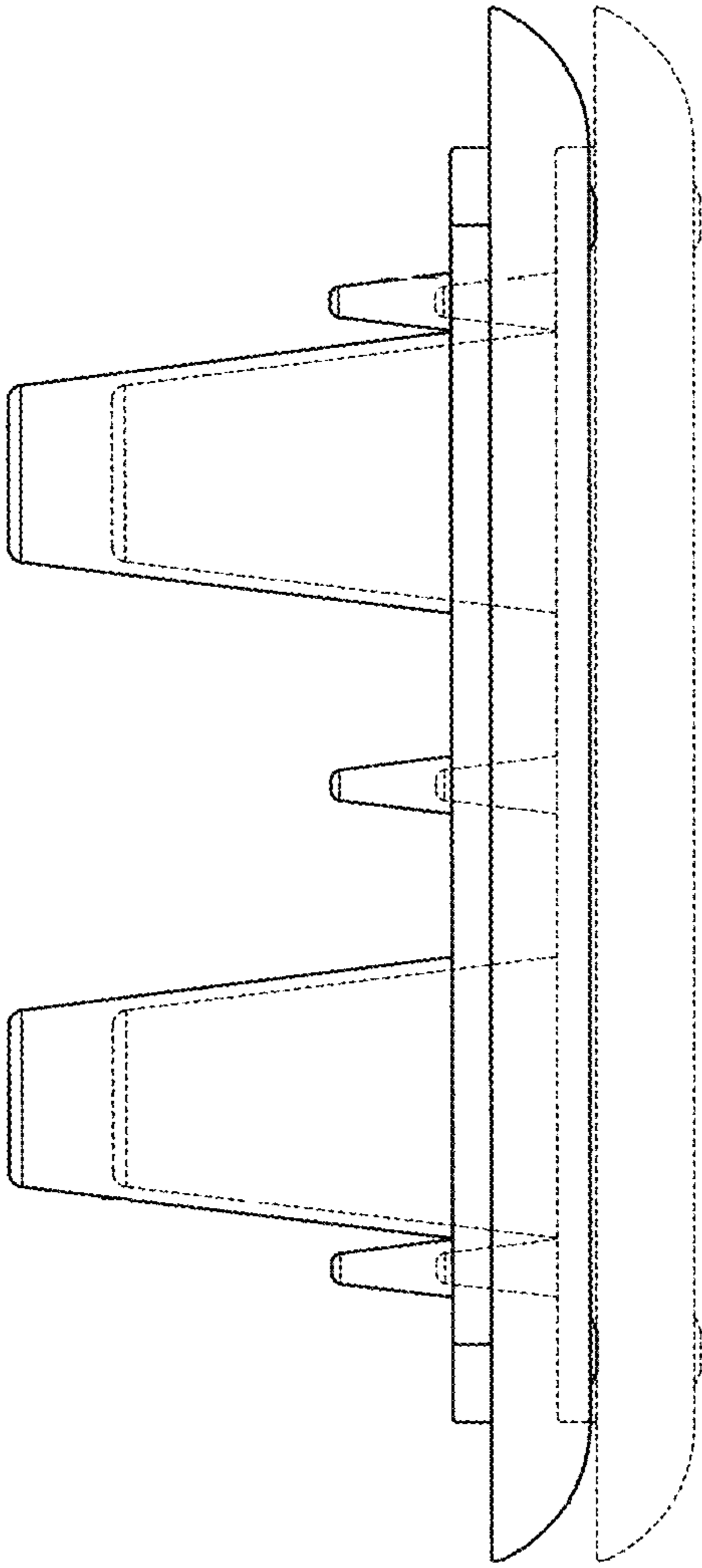


FIG. 5