



US00D807033S

(12) **United States Design Patent**  
**Lucas**

(10) **Patent No.:** **US D807,033 S**  
(45) **Date of Patent:** **\*\* Jan. 9, 2018**

(54) **DISPLAY TOTE BAG**

(71) Applicant: **LUCI BAGS LLC**, Frisco, TX (US)

(72) Inventor: **Rebecca A. Lucas**, Frisco, TX (US)

(73) Assignee: **Luci Bags LLC**, Frisco, TX (US)

(\*\*) Term: **15 Years**

(21) Appl. No.: **29/573,245**

(22) Filed: **Aug. 3, 2016**

(51) **LOC (11) Cl.** ..... **03-01**

(52) **U.S. Cl.**

USPC ..... **D3/246**

(58) **Field of Classification Search**

USPC ..... D3/201, 205, 206, 226, 227, 231-247,  
D3/254, 257, 258, 270, 271.1, 271.9, 273,

(Continued)

(56) **References Cited**

**U.S. PATENT DOCUMENTS**

2,799,316 A \* 7/1957 Coben ..... A45C 3/06  
150/101

D431,357 S \* 10/2000 du Sartel ..... D3/232  
(Continued)

**FOREIGN PATENT DOCUMENTS**

FR 2751853 A1 \* 2/1998 ..... A45C 3/06

**OTHER PUBLICATIONS**

The Picta, Win These Luci Bags, posted on Oct. 24, 2015, [online],  
[site visited on Sep. 25, 2017]. Available from Internet, URL:  
[http://www.thepicta.com/media/1103061527735519536\\_1832146233](http://www.thepicta.com/media/1103061527735519536_1832146233) (Year: 2015).\*

(Continued)

*Primary Examiner* — Sheryl Lane

*Assistant Examiner* — Samantha N Wood

(74) *Attorney, Agent, or Firm* — Braxton, Hilton & Perrone, PLLC

(57) **CLAIM**

The ornamental design for a display tote bag, as shown and described.

**DESCRIPTION**

FIG. 1 is an upper perspective view of a display tote bag, showing my new design;

FIG. 2 is a front view thereof;

FIG. 3 is a rear view thereof;

FIG. 4 is a left side view thereof;

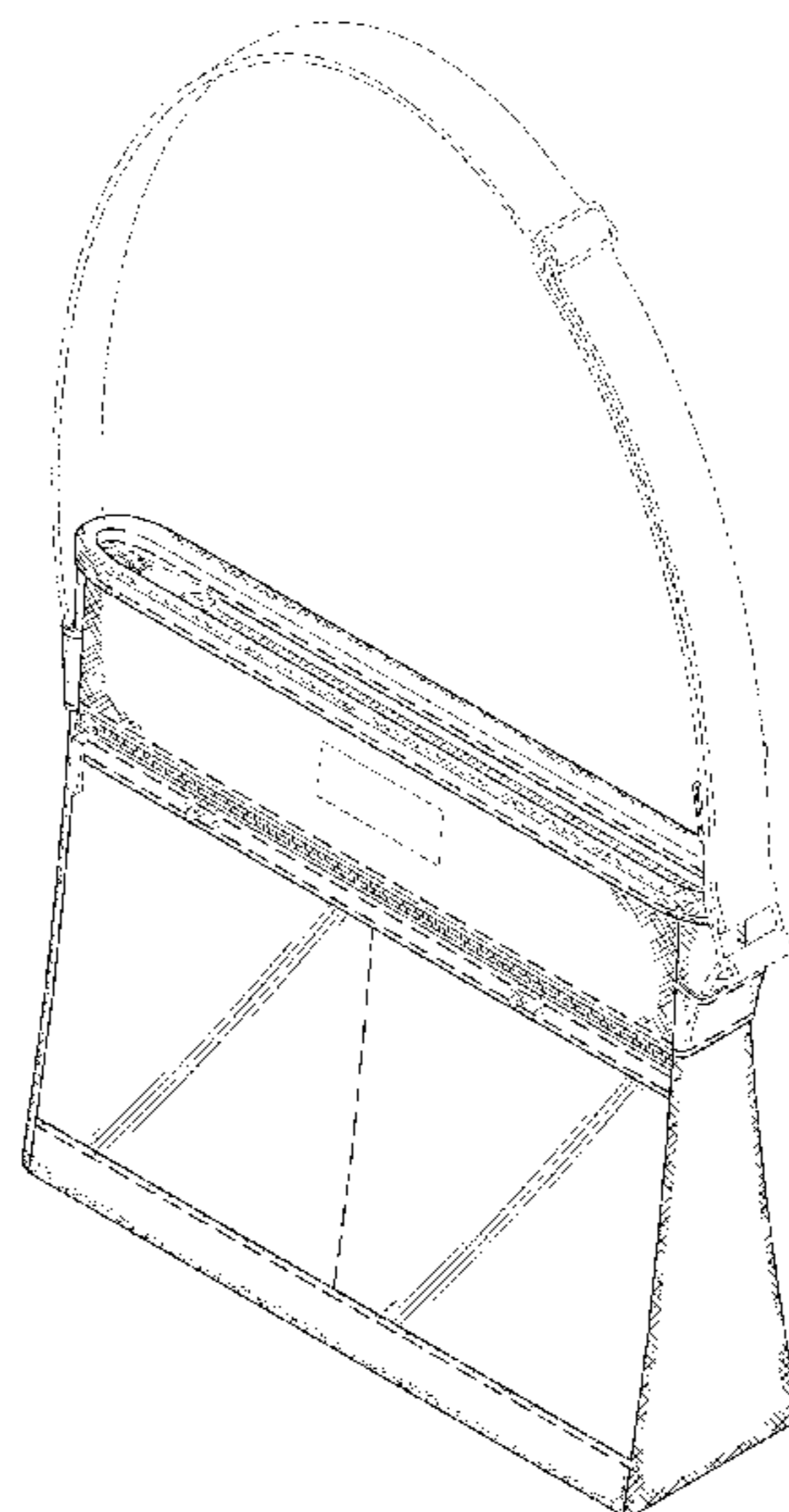
FIG. 5 is a right side view thereof;

FIG. 6 is a top view thereof; and,

FIG. 7 is a bottom view thereof.

The broken lines showing portions of the display tote bag and specifically, the broken lines depicting the handle, buckle, label, zipper pulls, and horizontal stitching, are included for the purpose of illustrating the environmental structure and form no part of the claimed design. The vertical broken line appearing in FIGS. 1, 2, and 6 of the display tote bag represents stitching bisecting a front compartment of the display tote bag and is part of the claimed design. The oblique line shading appearing on exterior surfaces of the display tote bag compartments, appearing in FIGS. 1, 2, 3, and 6, is intended to indicate transparent material. The stippling appearing on exterior portions of the display tote bag is not meant to indicate contrasting surface appearance, other than contrasting with surface appearance of the aforementioned transparent material, different than that of other portions of the main body of the article. The invention pertains generally to an ornamental design for an article of manufacture. The article is not limited to the scale shown herein. As indicated in the title, the article of manufacture to which the ornamental design has been applied is a display tote bag.

**1 Claim, 5 Drawing Sheets**





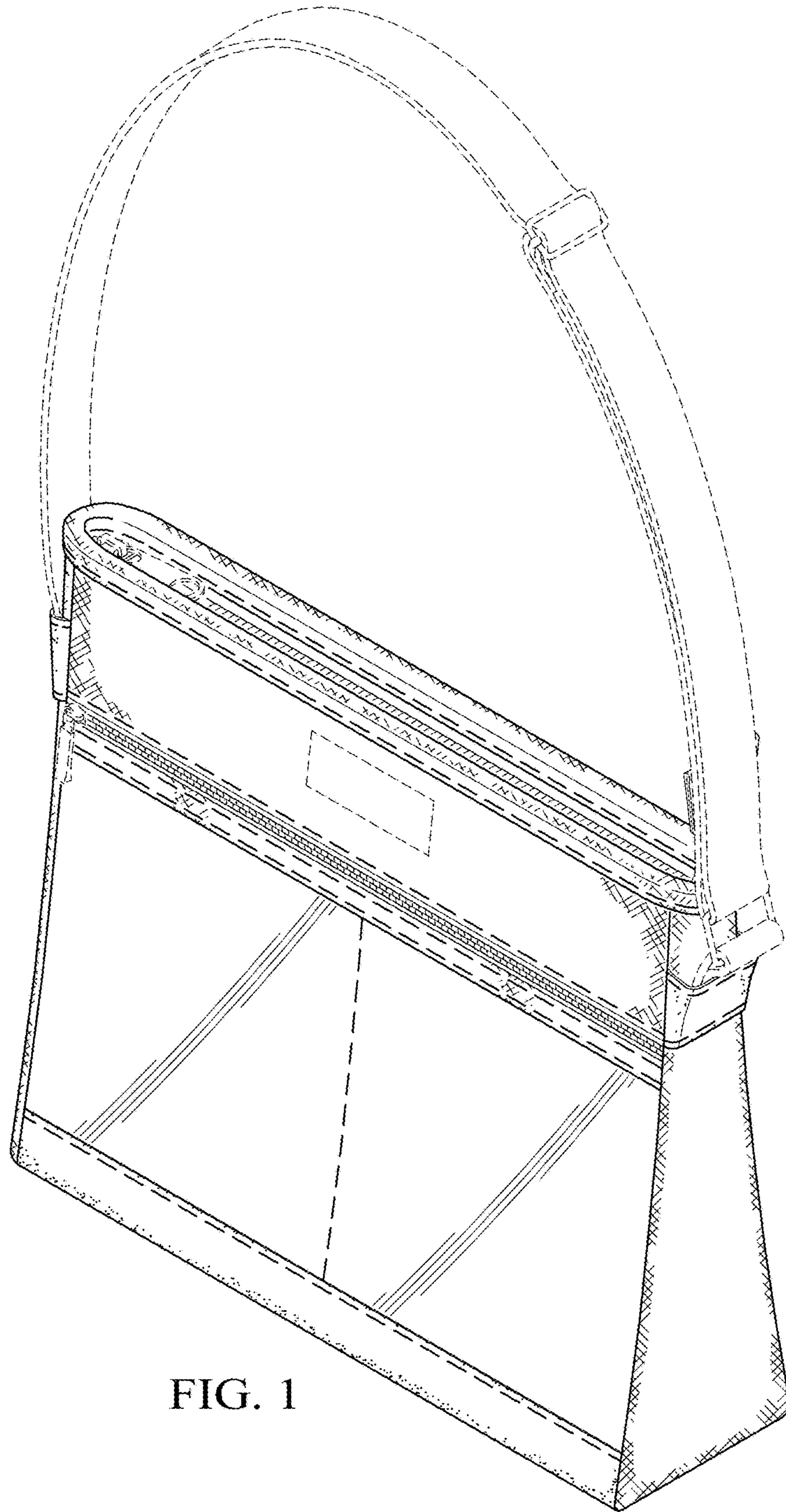


FIG. 1

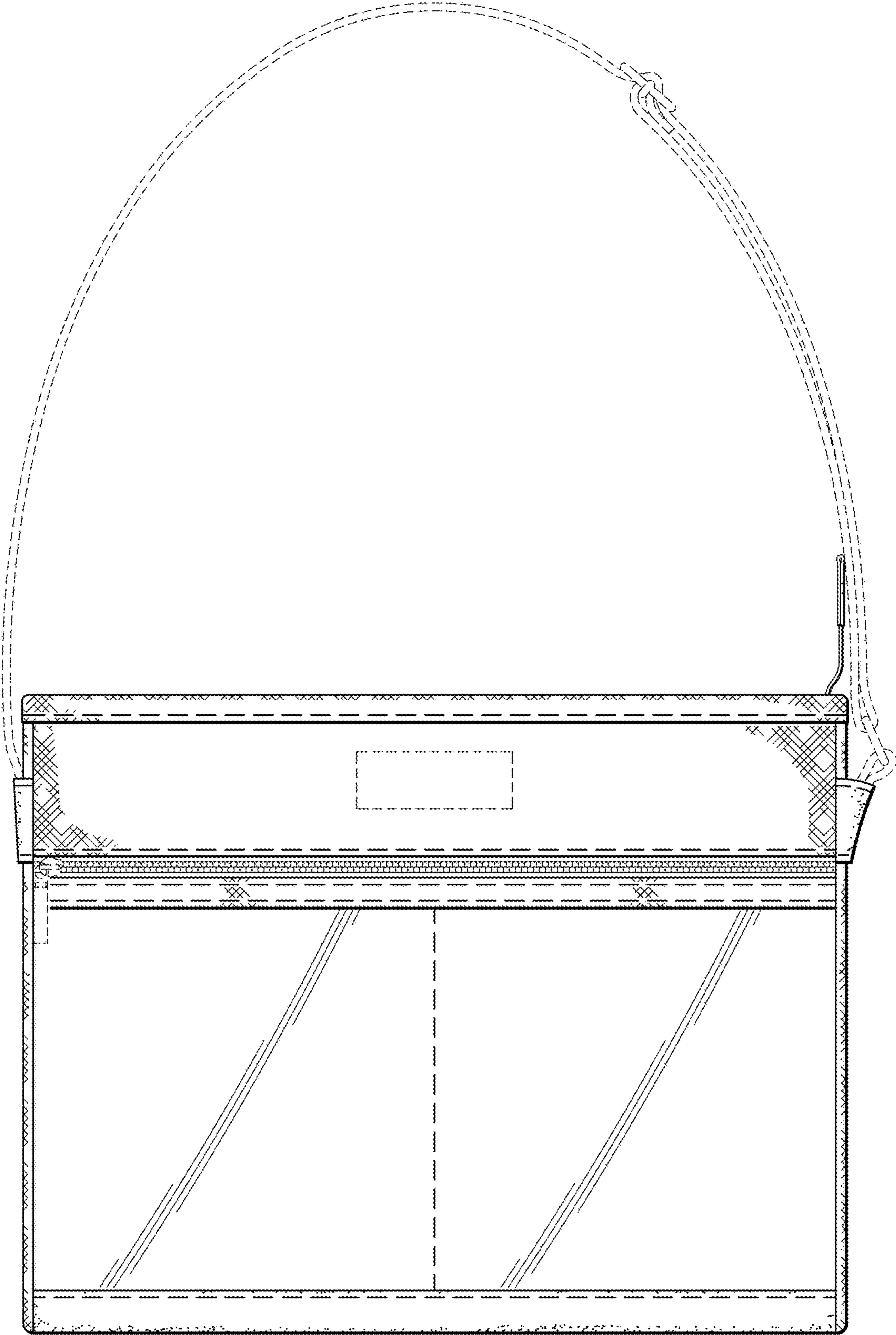


FIG. 2

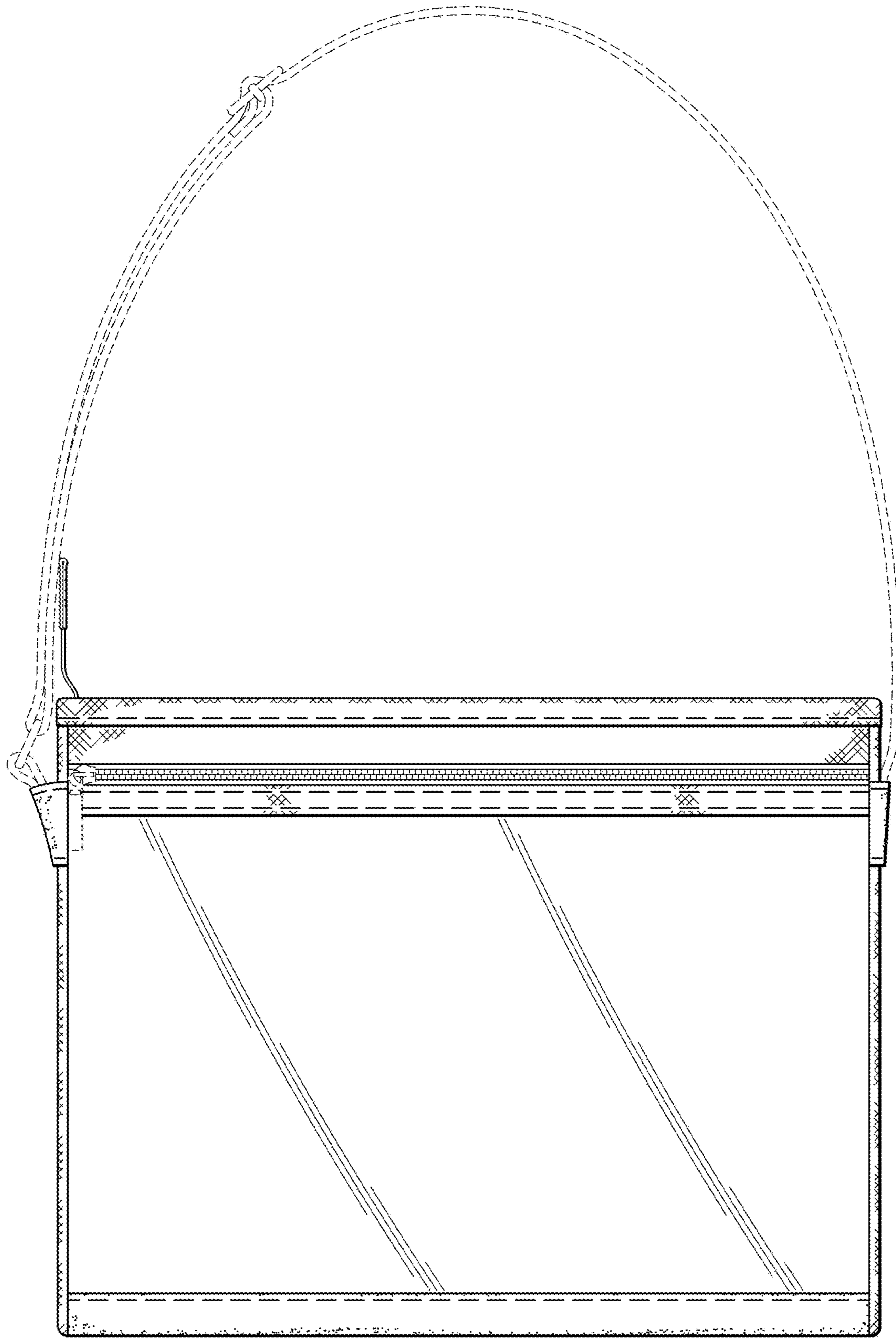


FIG. 3

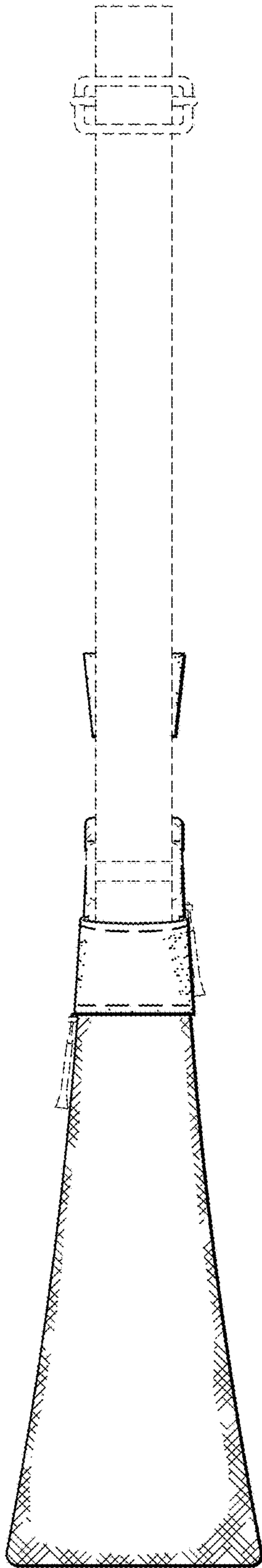


FIG. 4

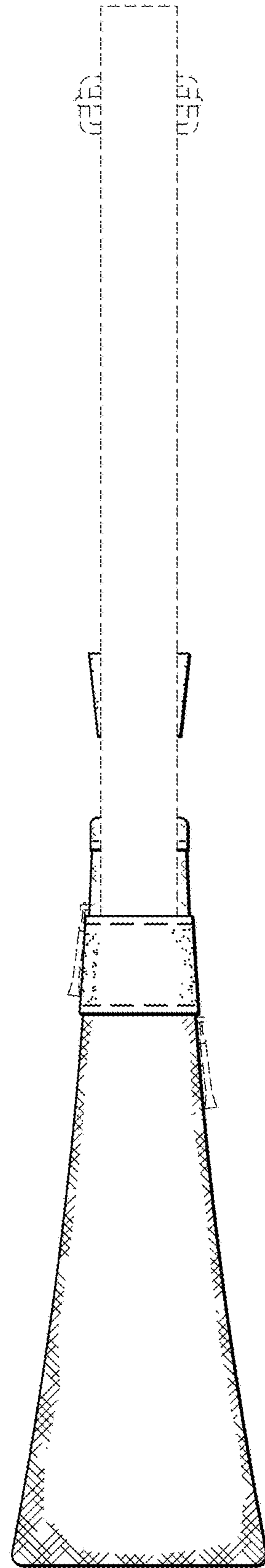


FIG. 5

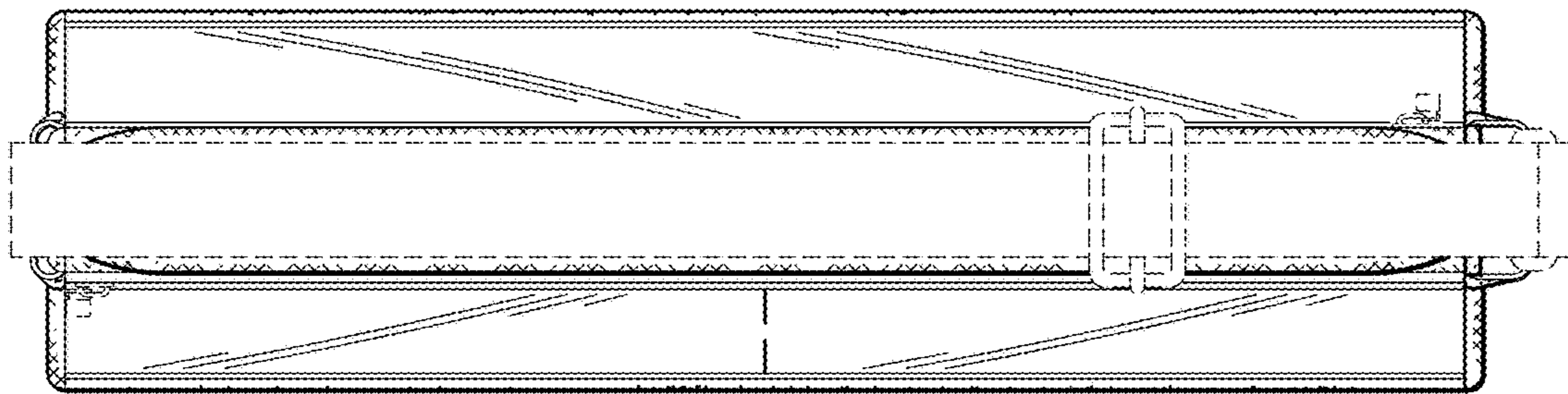


FIG. 6

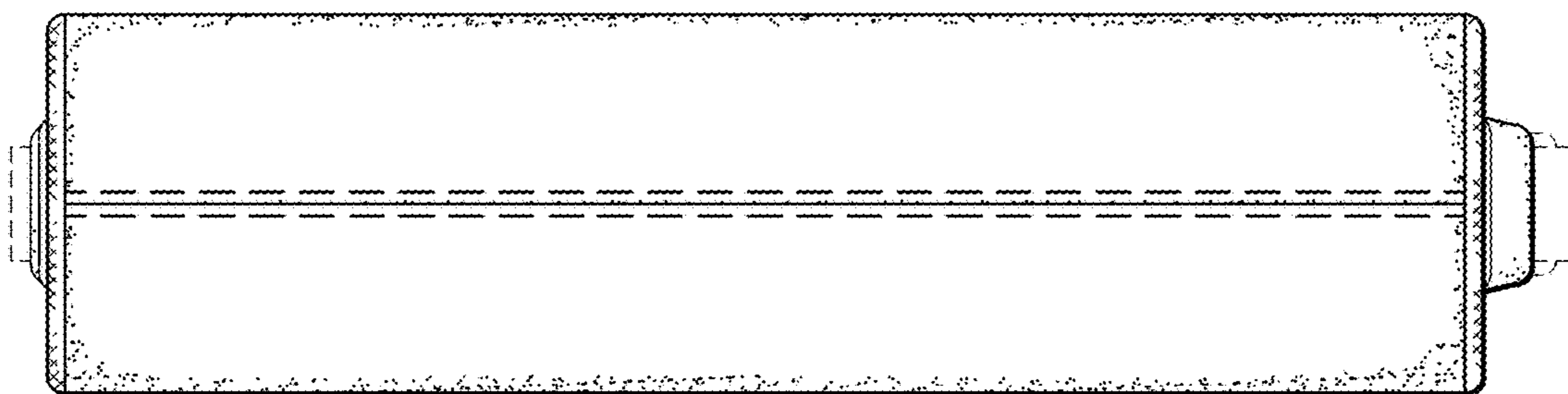


FIG. 7