



US00D807027S

(12) **United States Design Patent**  
**Ondryas**

(10) **Patent No.:** **US D807,027 S**  
(45) **Date of Patent:** **\*\* Jan. 9, 2018**

(54) <b>MOBILE PHONE/VIDEO CAMERA MOUNT</b>	8,245,326 B1 *	8/2012 Tolve .....	A42B 3/306 2/209.13
(71) Applicant: <b>TEAM RIDER XTREME</b>	8,724,801 B2	5/2014 Freeland	
<b>ENGINEERING CO.</b> , Laguna Niguel, CA (US)	D715,535 S *	10/2014 Brands .....	D3/215
	2003/0106918 A1	6/2003 Hung	
	2009/0117956 A1	5/2009 Latz	
	2011/0085041 A1	4/2011 Kildevaeld	
(72) Inventor: <b>Igor Ondryas</b> , Dana Point, CA (US)	2013/0306689 A1	11/2013 Johnson	
	2014/0191095 A1	7/2014 Le Gette et al.	
(73) Assignee: <b>Team Rider Xtreme Engineering Co.</b> , Dana Point, CA (US)	2015/0036047 A1	2/2015 Bledsoe	

FOREIGN PATENT DOCUMENTS

(\*\*) Term: **15 Years** FR 3001620 8/2014

(21) Appl. No.: **29/551,746** \* cited by examiner

(22) Filed: **Jan. 15, 2016**

(51) **LOC (11) Cl.** ..... **03-01**

(52) **U.S. Cl.**  
USPC ..... **D3/218**

(58) **Field of Classification Search**  
USPC ..... D3/218, 215, 219, 229; D29/103;  
D2/866, 891; 224/181, 929-930;  
381/376; 379/433.13, 449, 454, 441, 446,  
379/455; 455/569.1, 575.1, 575.6, 575.2,  
455/90.1, 90.3, 95; 206/305, 320;  
2/209.13, 422; 248/176.3  
CPC . A42B 3/306; A45C 11/00; A45F 5/00; A45F  
2200/0516; A45F 2200/0533; A45F  
2005/008; F16M 13/00; H04B 1/385;  
H04M 1/05; H04M 1/11  
See application file for complete search history.

*Primary Examiner* — Catherine R Oliver-Garcia  
(74) *Attorney, Agent, or Firm* — Stetina Brunda Garred & Brucker

(57) **CLAIM**

The ornamental design for a mobile phone/video camera mount, as shown and described.

**DESCRIPTION**

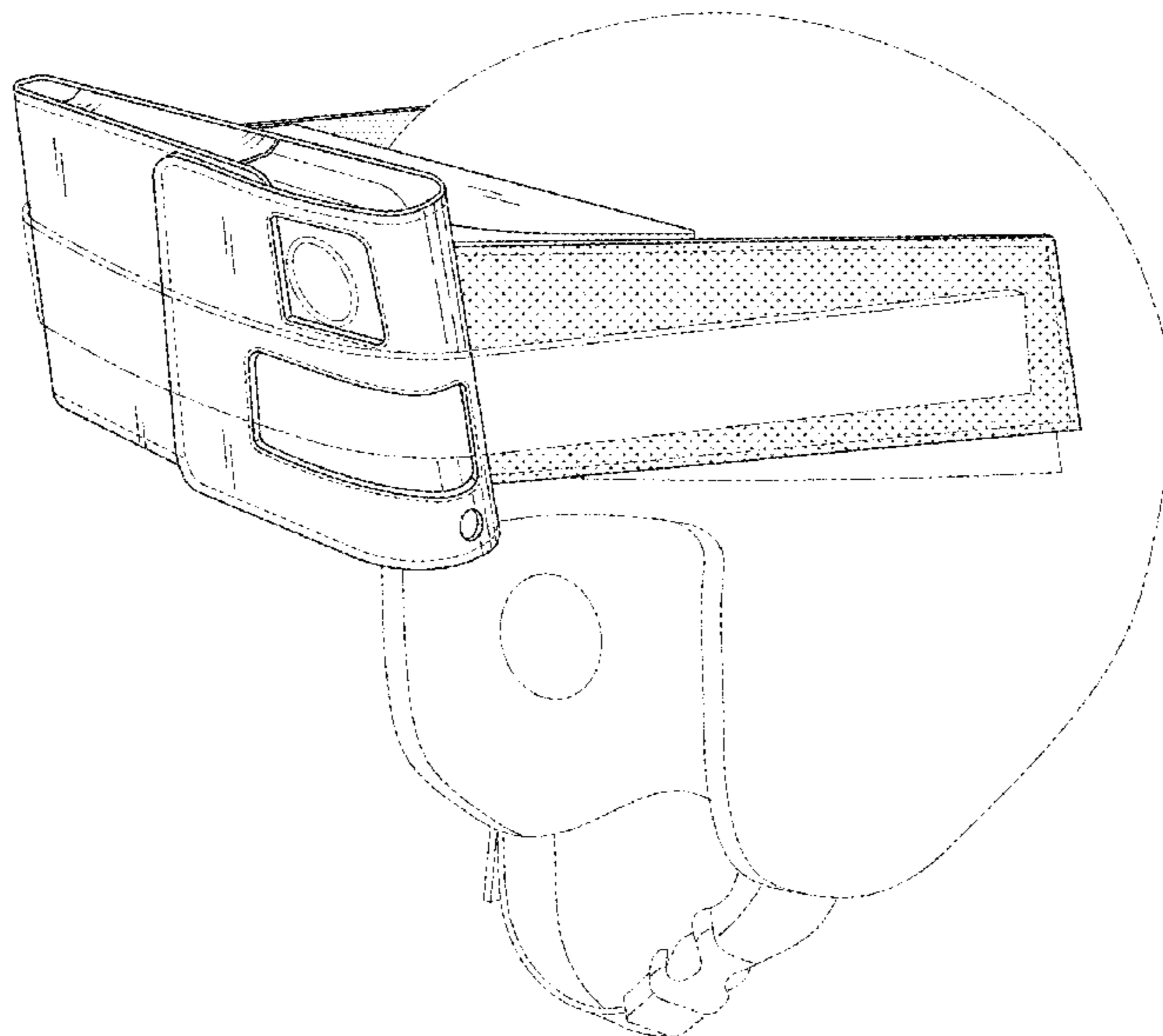
FIG. 1 is a front perspective view of the mobile phone/video camera mount of the present invention showing my new design;  
FIG. 2 is a front elevational view thereof;  
FIG. 3 is a top plan view thereof;  
FIG. 4 is a rear elevational view thereof;  
FIG. 5 is a bottom plan view thereof;  
FIG. 6 is a left side view thereof; and,  
FIG. 7 is right side view thereof.  
The broken lines depict environmental structure and form no part of the claimed design.  
The broken lines on the carrier pouch represent stitching.

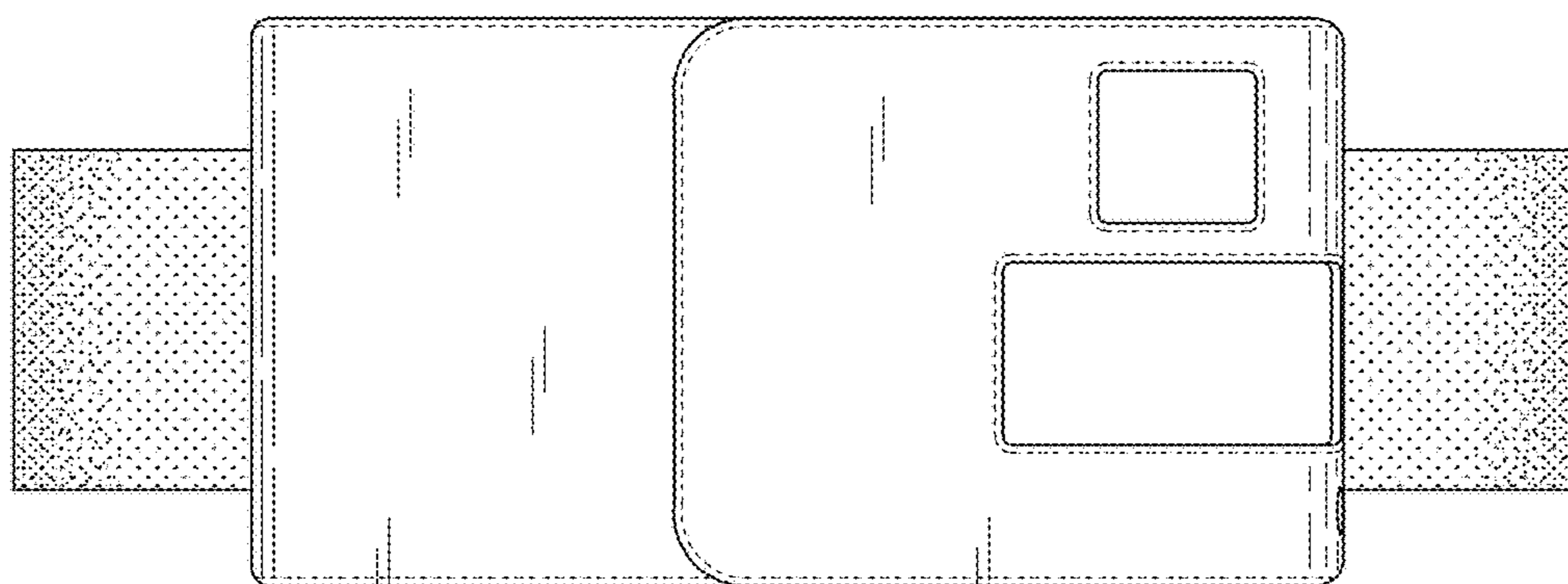
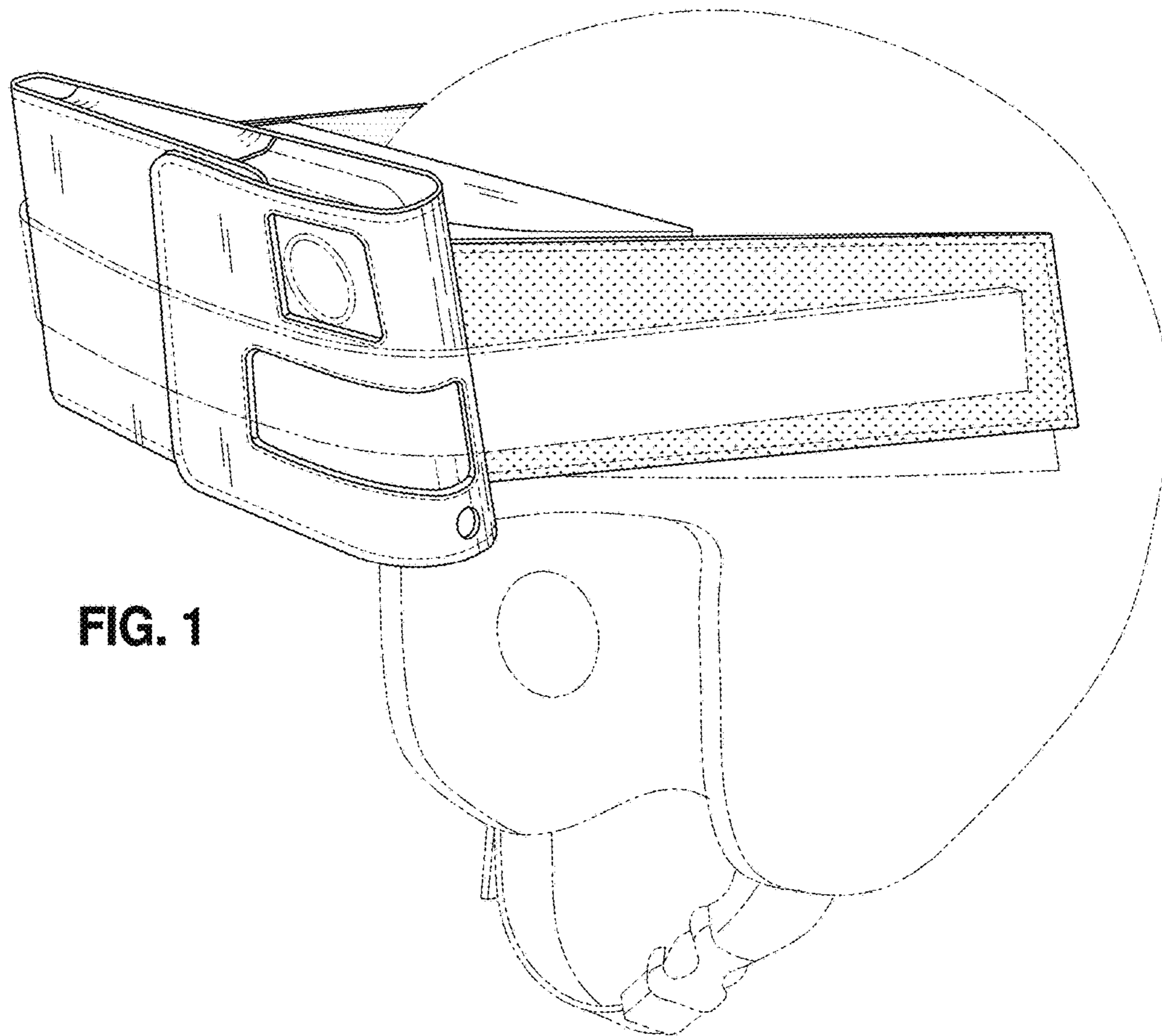
(56) **References Cited**

U.S. PATENT DOCUMENTS

6,934,517 B2 \* 8/2005 Fujihashi ..... H04M 1/05  
379/433.13  
7,508,932 B1 \* 3/2009 Bergh ..... H04B 1/385  
379/430

**1 Claim, 3 Drawing Sheets**





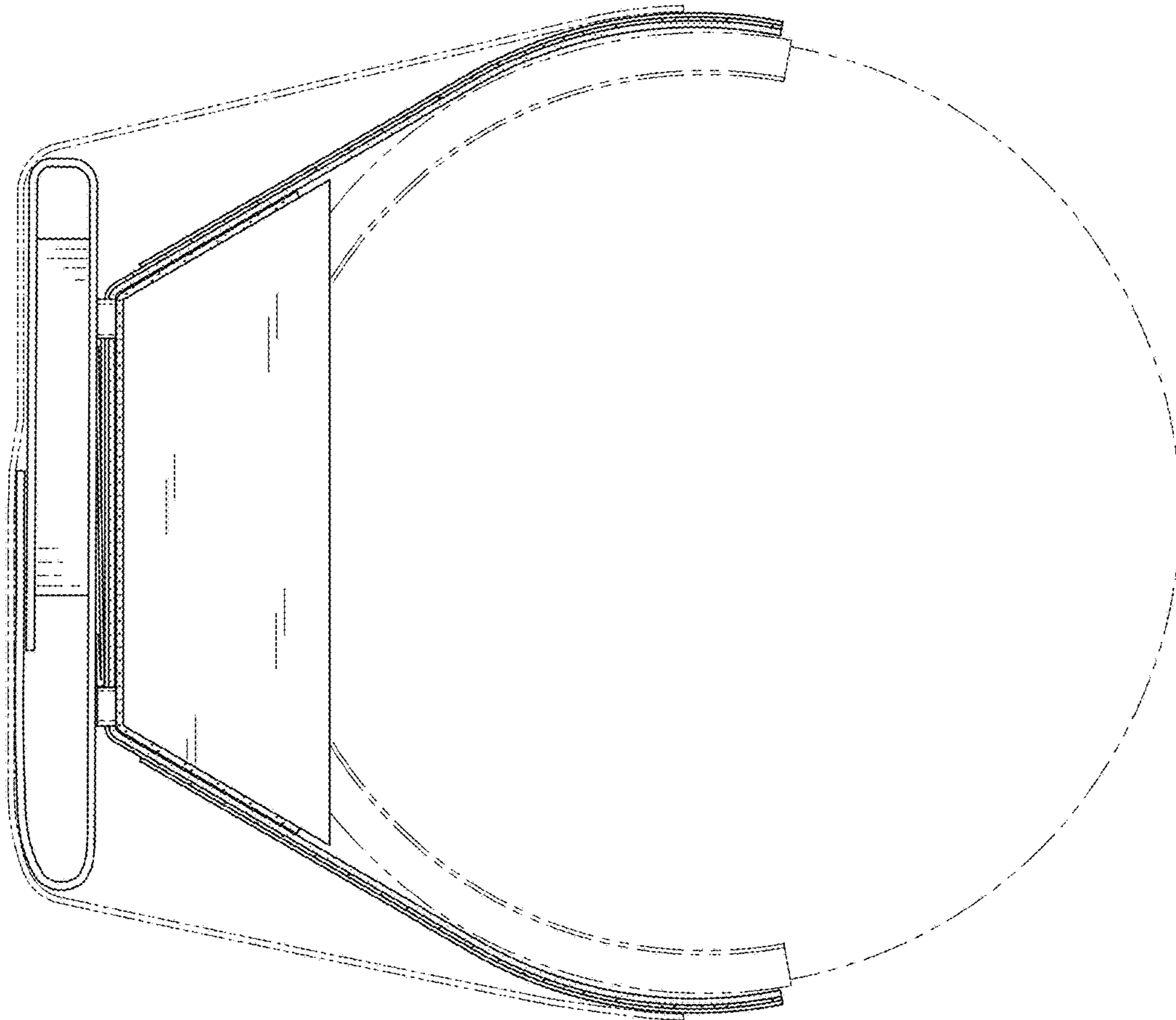


FIG. 3

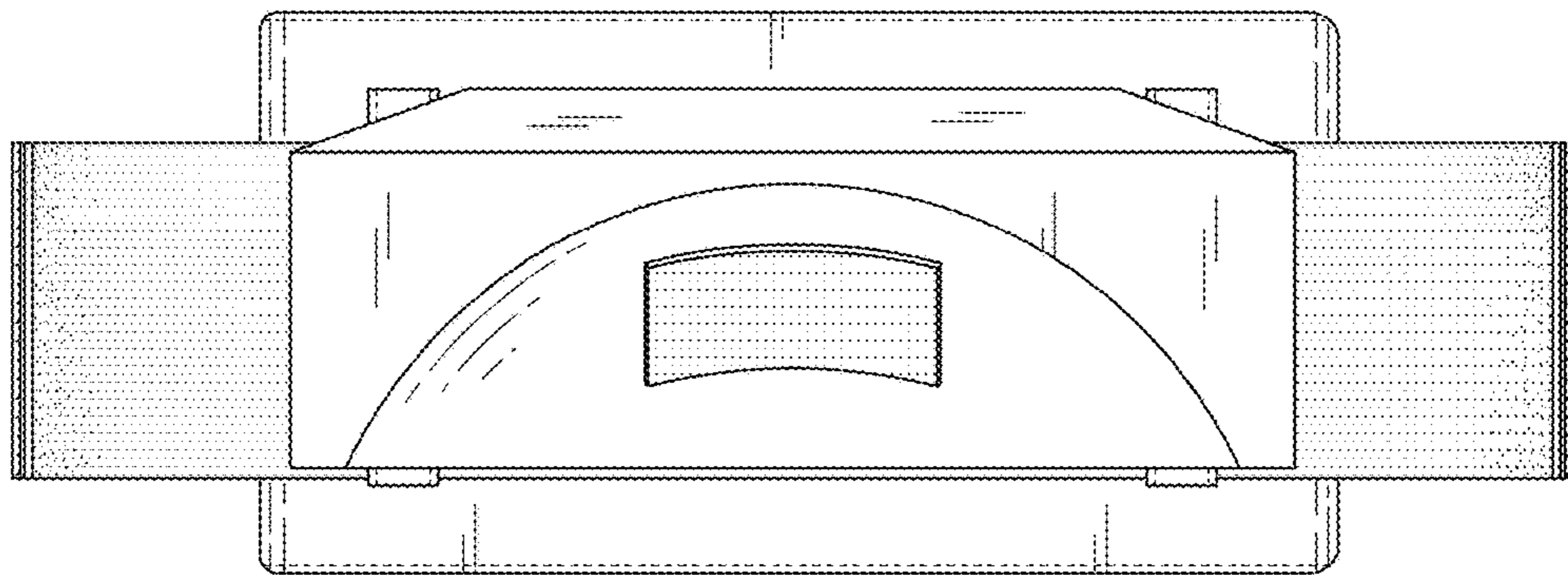


FIG. 4

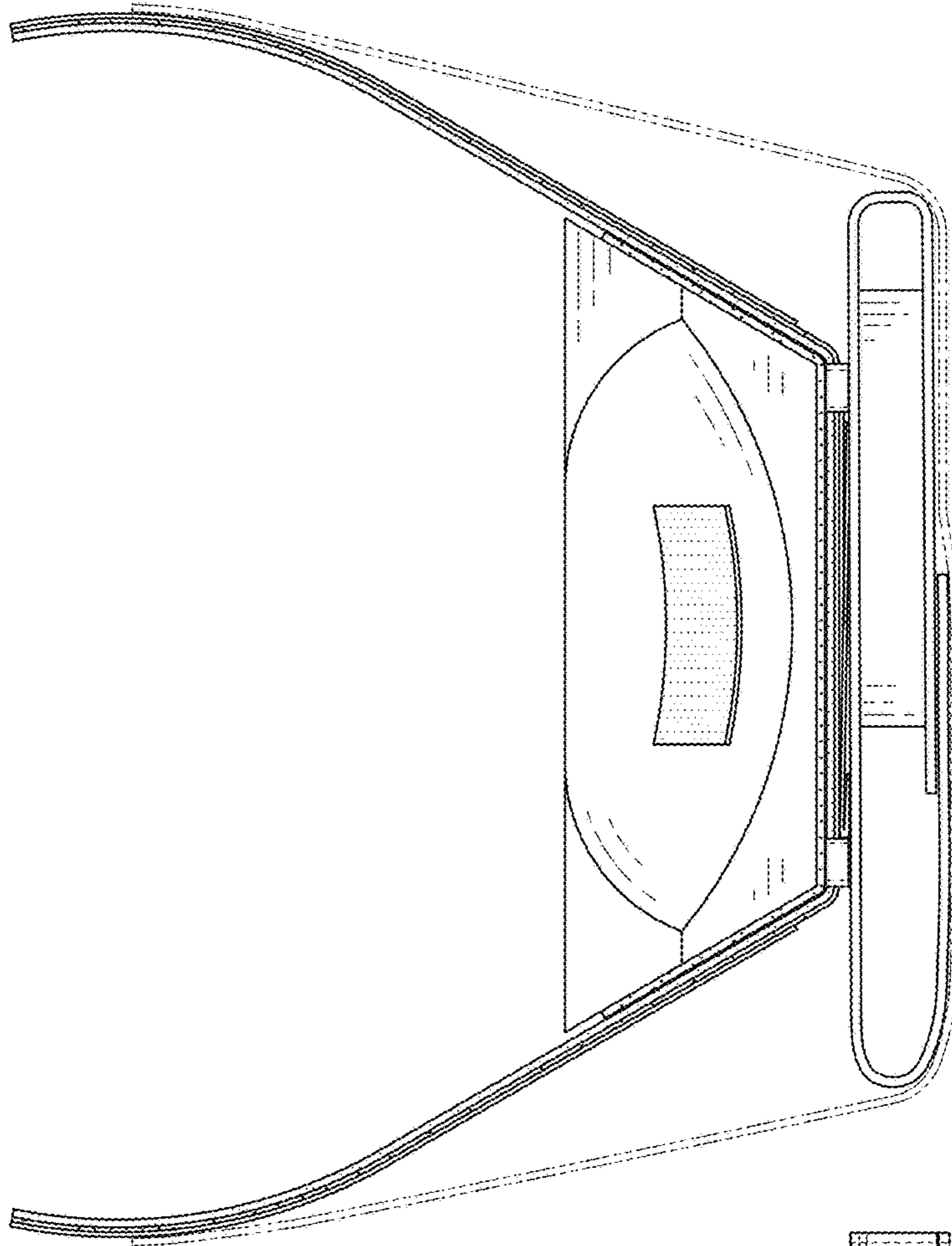


FIG. 5

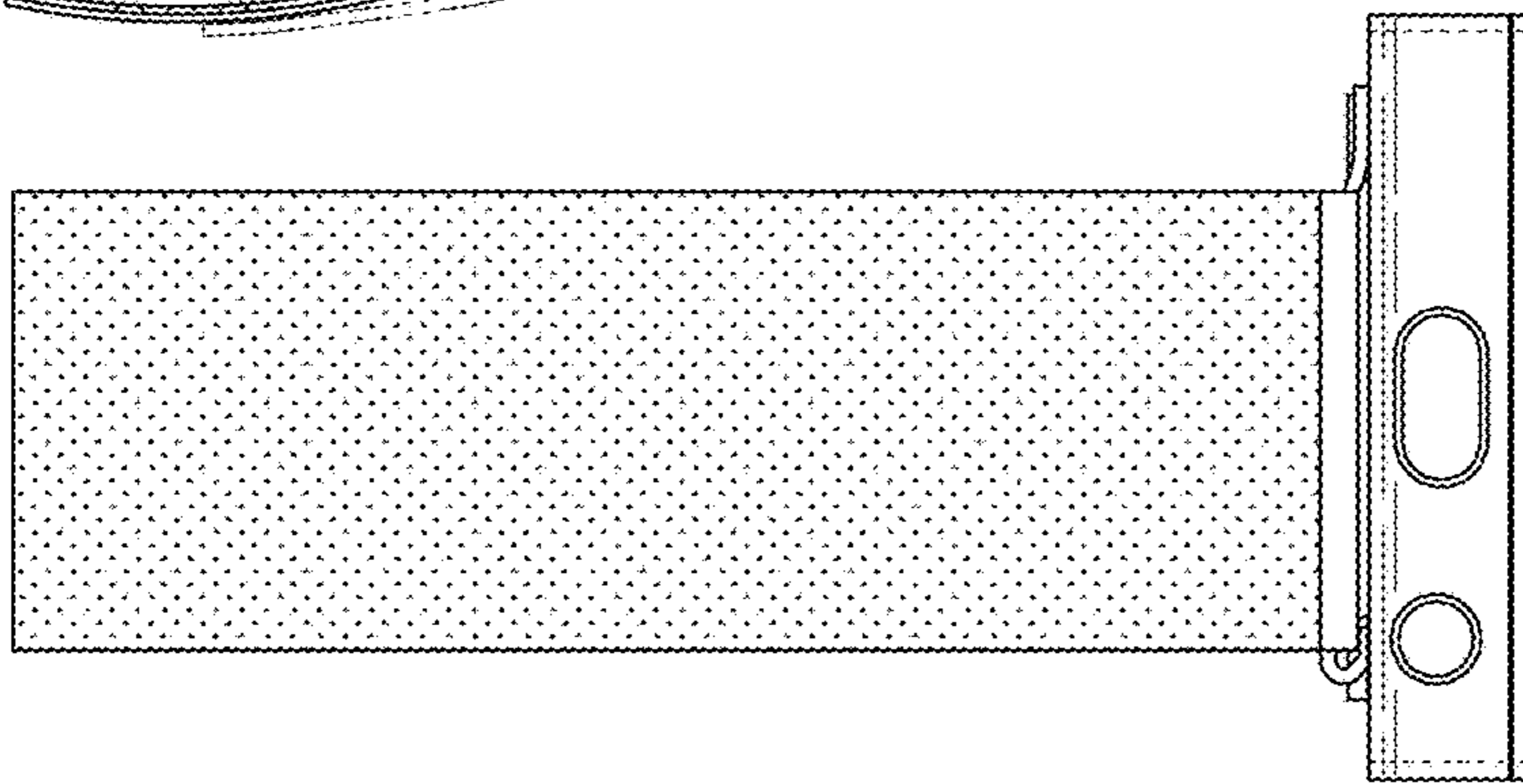


FIG. 6

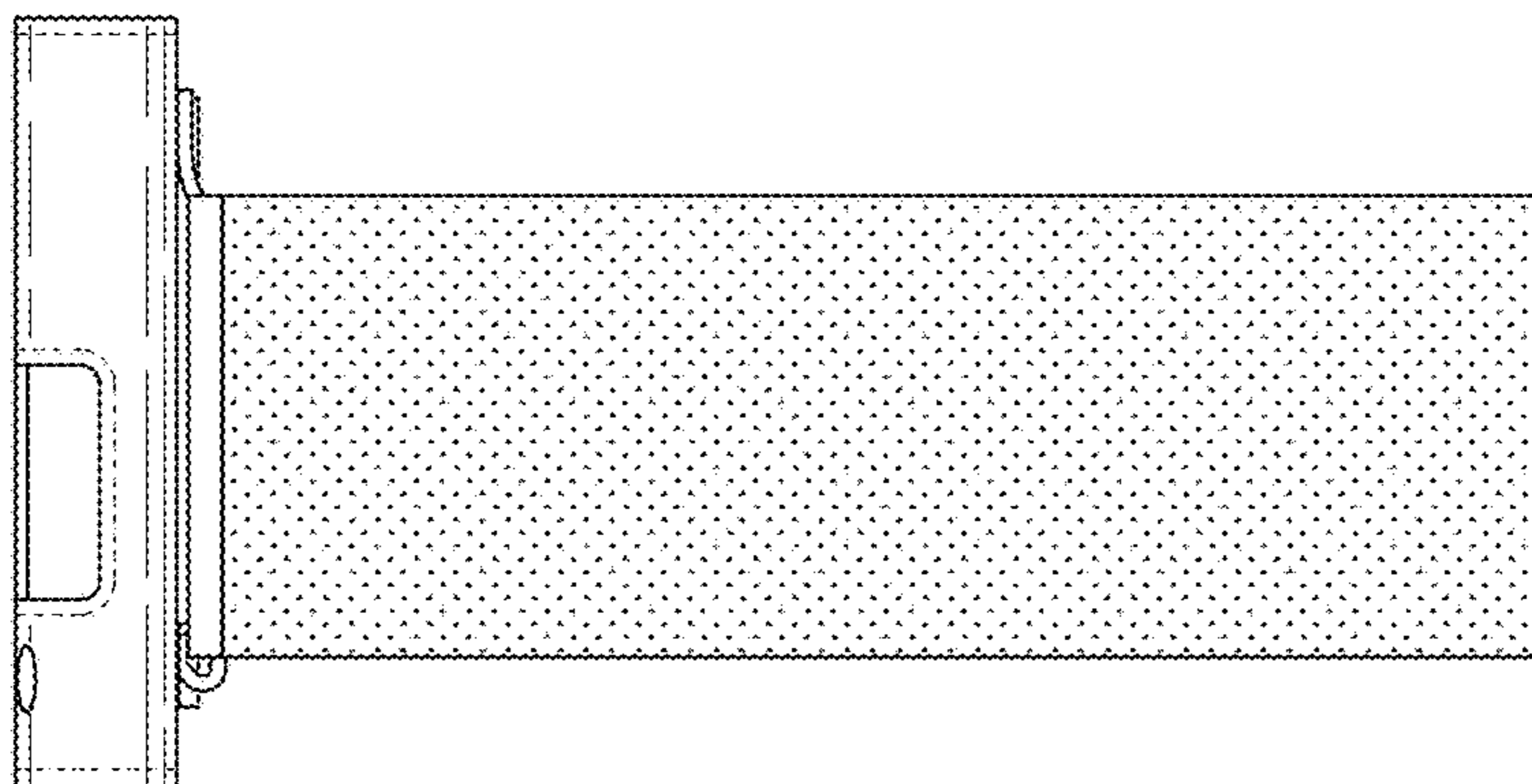


FIG. 7