



US00D807026S

(12) **United States Design Patent**
Lawhorn

(10) **Patent No.:** **US D807,026 S**

(45) **Date of Patent:** **** Jan. 9, 2018**

(54) **BACKPACK**

(71) Applicant: **Charles E. Lawhorn**, Phillipsburg, NJ
(US)

(72) Inventor: **Charles E. Lawhorn**, Phillipsburg, NJ
(US)

(**) Term: **15 Years**

(21) Appl. No.: **29/552,638**

(22) Filed: **Jan. 25, 2016**

(51) **LOC (11) Cl.** **03-01**

(52) **U.S. Cl.**
USPC **D3/216**

(58) **Field of Classification Search**
USPC D3/201, 213–219, 221, 224, 225, 229,
D3/230, 232, 243–246, 254, 318
CPC .. A45C 3/08; A45C 3/06; A45C 13/08; A45C
13/02; A45C 7/0086; A45C 3/00; A45C
13/26; A45F 3/04; A45F 3/02
See application file for complete search history.

(56) **References Cited**

U.S. PATENT DOCUMENTS

5,209,009	A *	5/1993	Fast	A01K 97/10 43/21.2
5,704,158	A *	1/1998	Whiteaker	A01K 97/06 206/315.11
6,036,067	A *	3/2000	Alcorn	A01K 77/00 206/315.11
6,658,786	B1 *	12/2003	Williams	A01K 97/10 43/54.1
D604,946	S *	12/2009	Drake	D22/147
8,052,020	B1 *	11/2011	Wurtz	A01K 97/06 224/662
D661,085	S *	6/2012	Custer	D3/217
D702,434	S *	4/2014	Chalk	D3/216

9,314,008	B2 *	4/2016	DeSpiegelaere	A01K 97/06
D774,750	S *	12/2016	Stark	D3/216
2007/0164063	A1 *	7/2007	Concepcion	A45F 3/04 224/153
2012/0043358	A1 *	2/2012	Kelly	A01K 97/06 224/148.2

OTHER PUBLICATIONS

Backpack with Fishing Pole Holders, uploaded Jun. 6, 2013, [online], [site visited Feb. 2017]. Available from Internet, <URL: <https://www.youtube.com/watch?v=CvgbXjvdtNA>>.*

* cited by examiner

Primary Examiner — George D Kirschbaum
Assistant Examiner — Jennifer Watkins
(74) *Attorney, Agent, or Firm* — Robert C. Montgomery; Montgomery Patent and Design, LP.

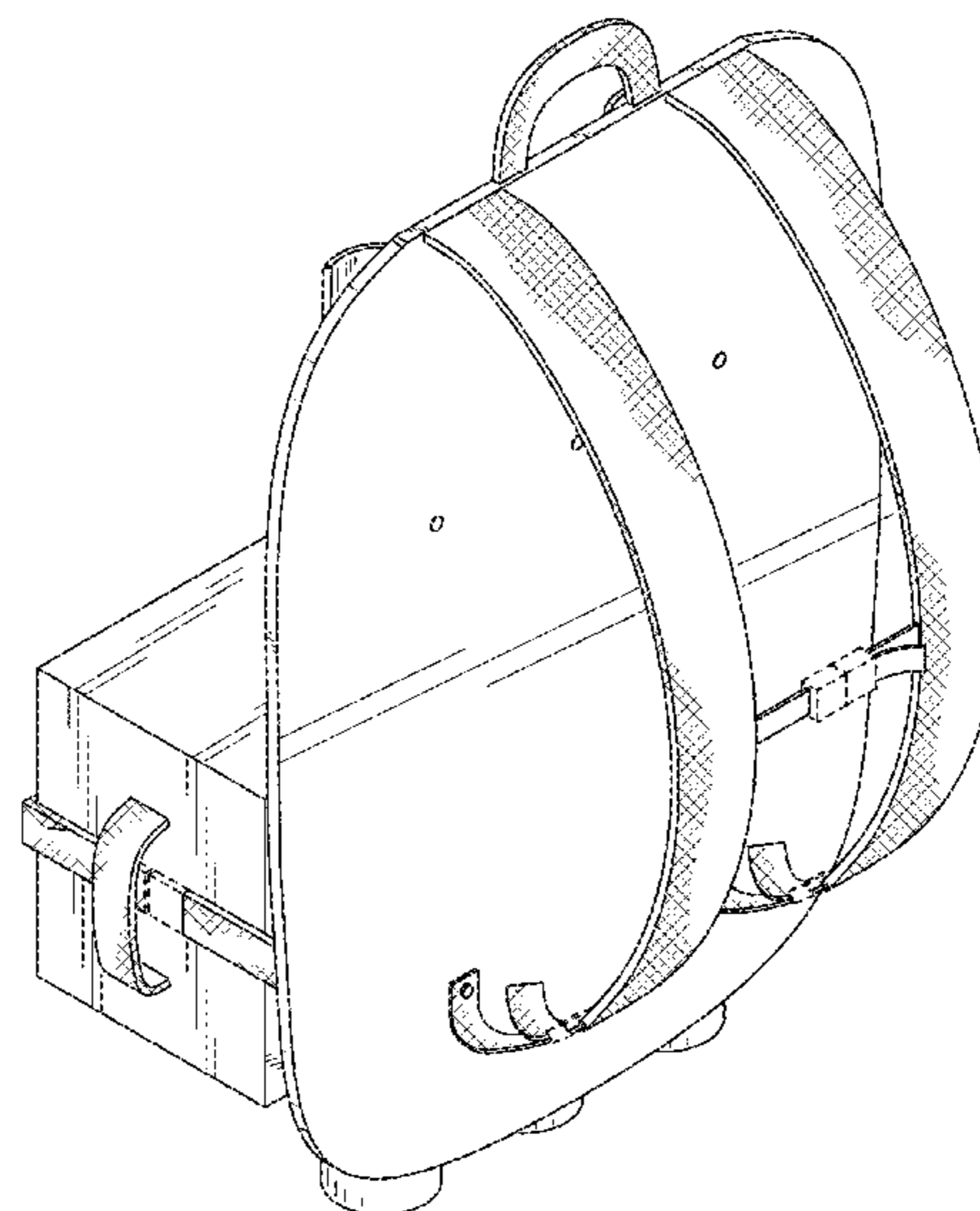
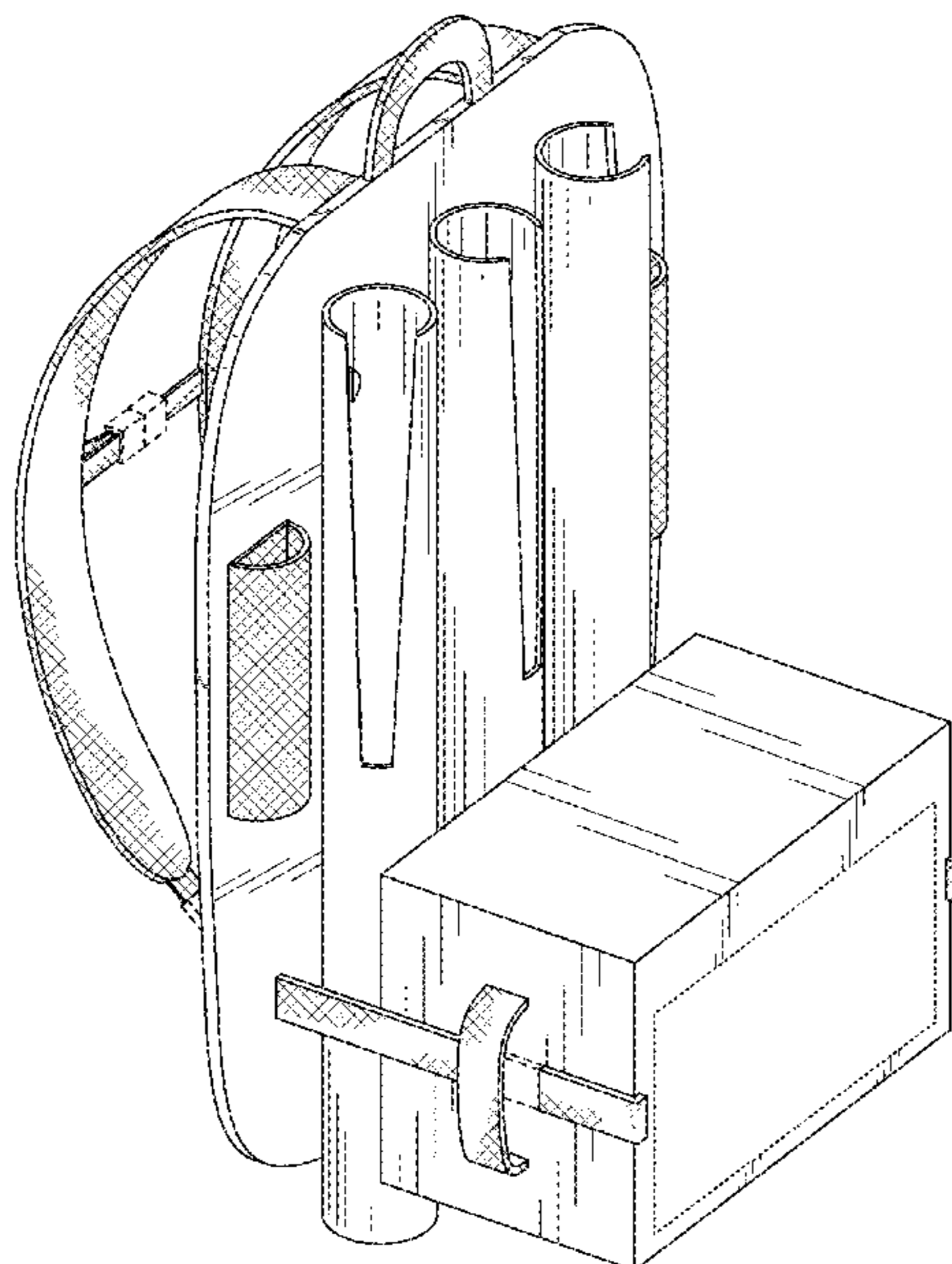
(57) **CLAIM**

The ornamental design for a backpack, as shown and described.

DESCRIPTION

FIG. 1 is a back side perspective view of a backpack with case attached showing my new design;
FIG. 2 is a front side perspective view thereof;
FIG. 3 is a back side elevation view of the backpack with case detached;
FIG. 4 is a front side elevation view thereof;
FIG. 5 is a left side elevation view thereof;
FIG. 6 is a right side elevation view thereof;
FIG. 7 is a top side plan view thereof; and,
FIG. 8 is a bottom side plan view thereof.
The broken lines in the figures are for the purpose of illustrating portions of the backpack and form no part of the claim.

1 Claim, 8 Drawing Sheets



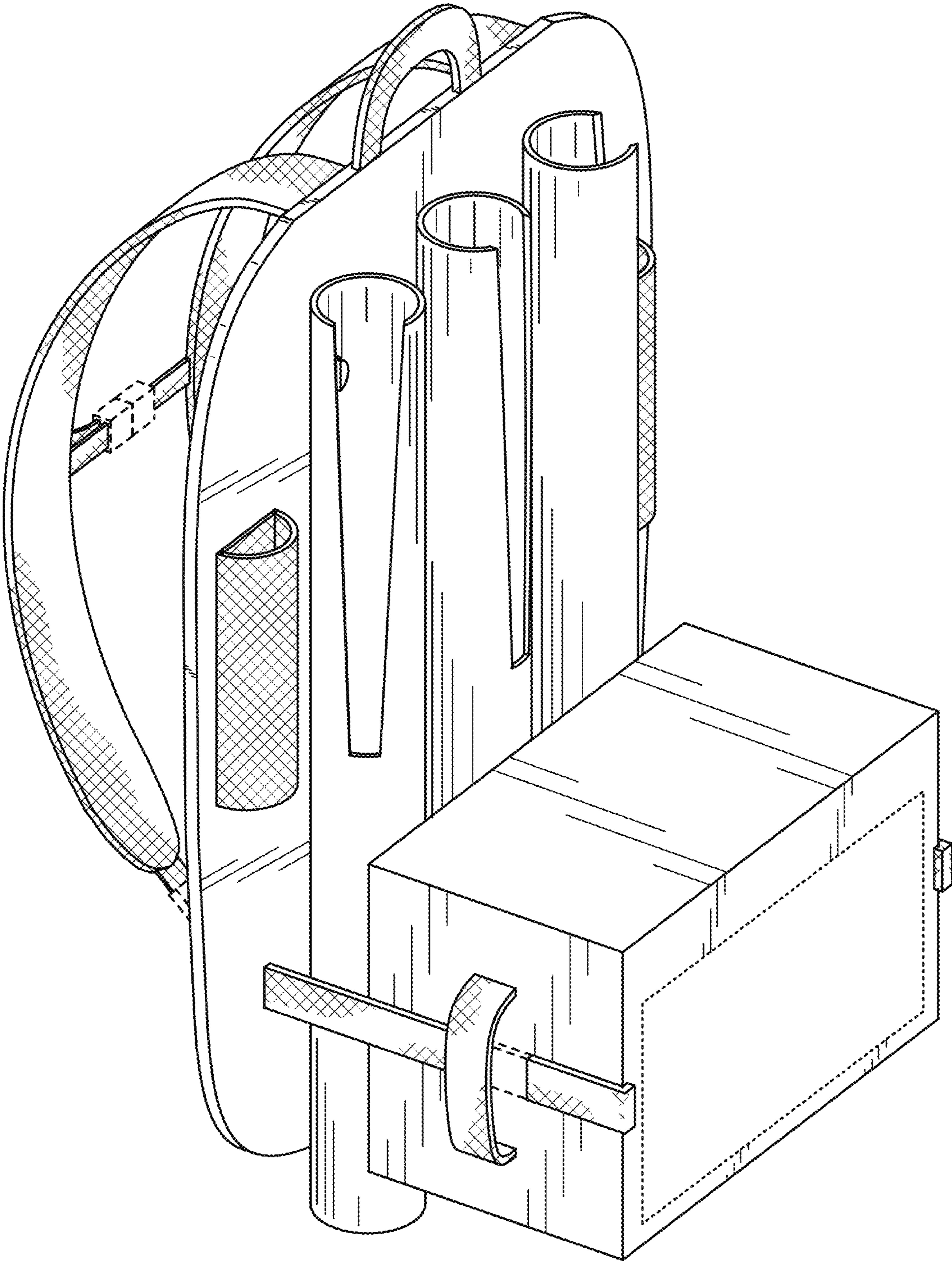


FIG. 1

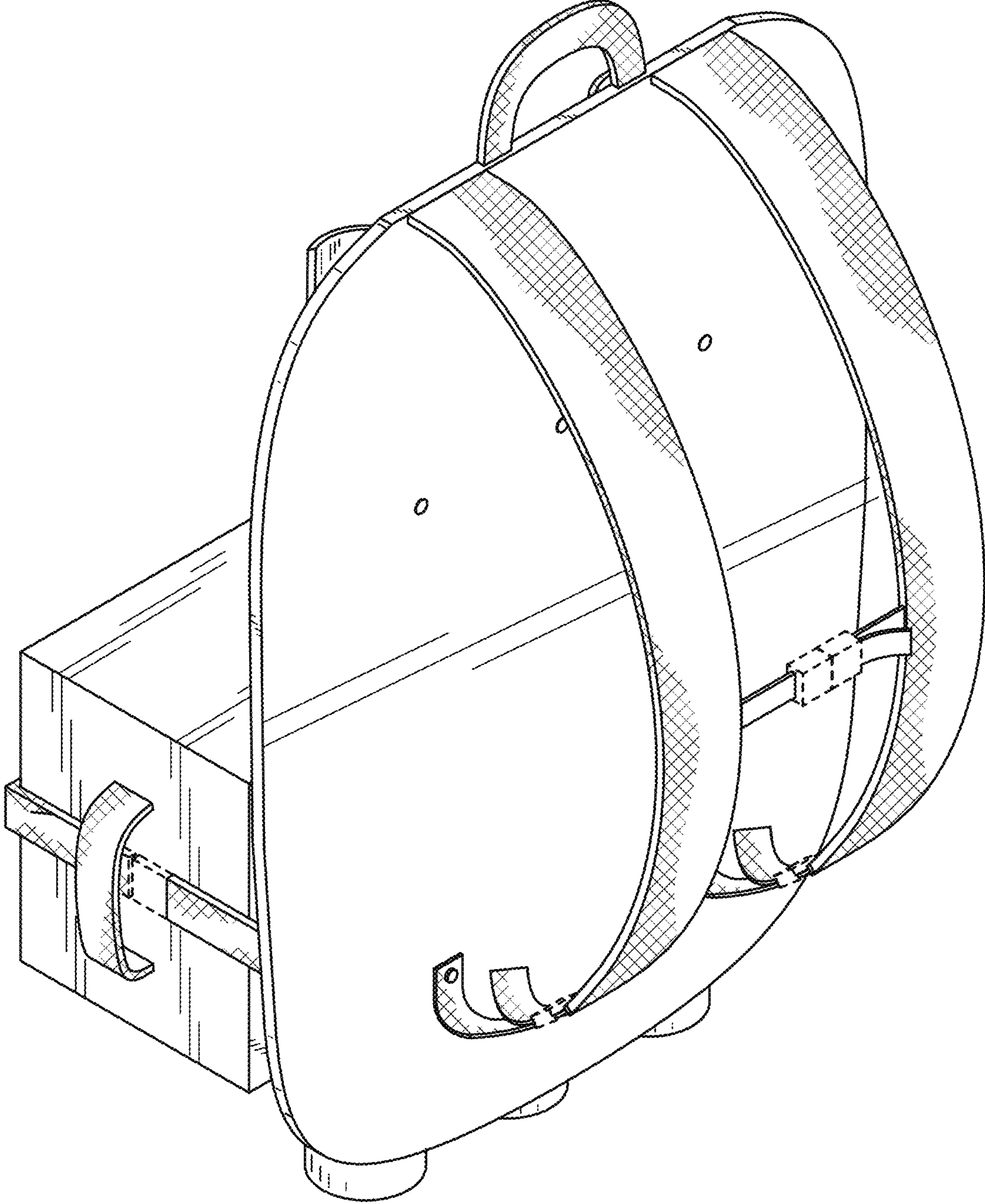


FIG. 2

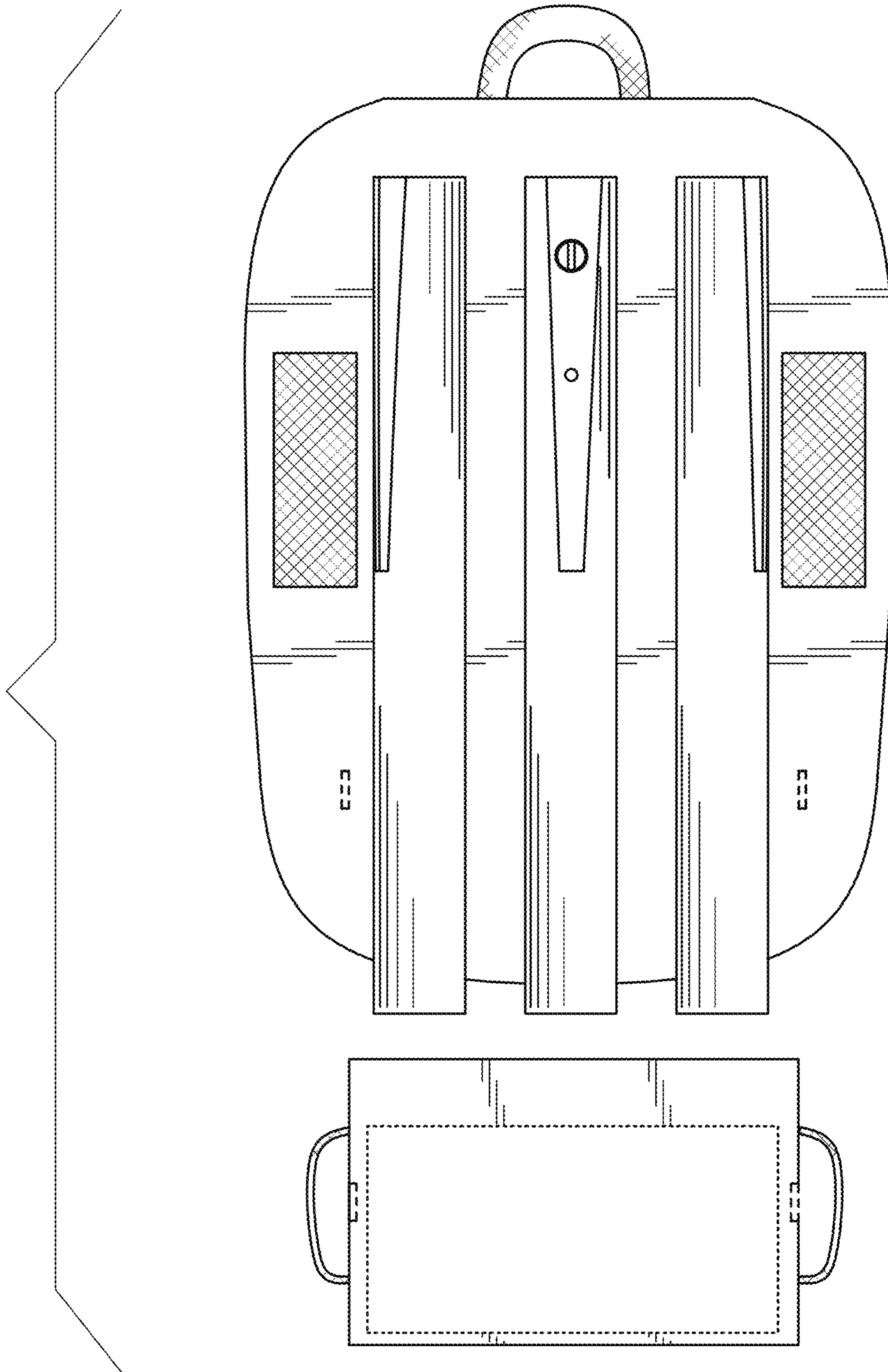


FIG. 3

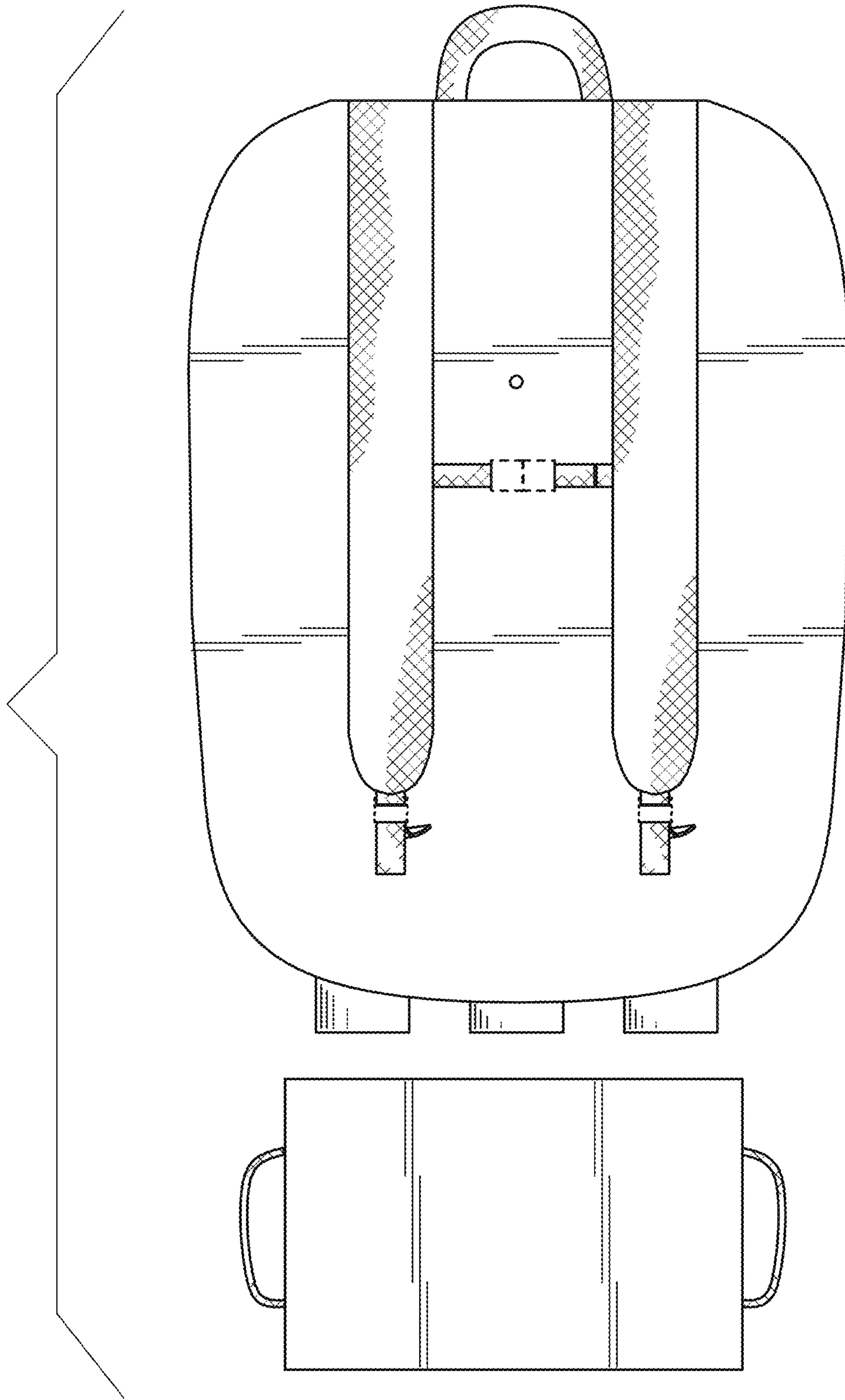


FIG. 4

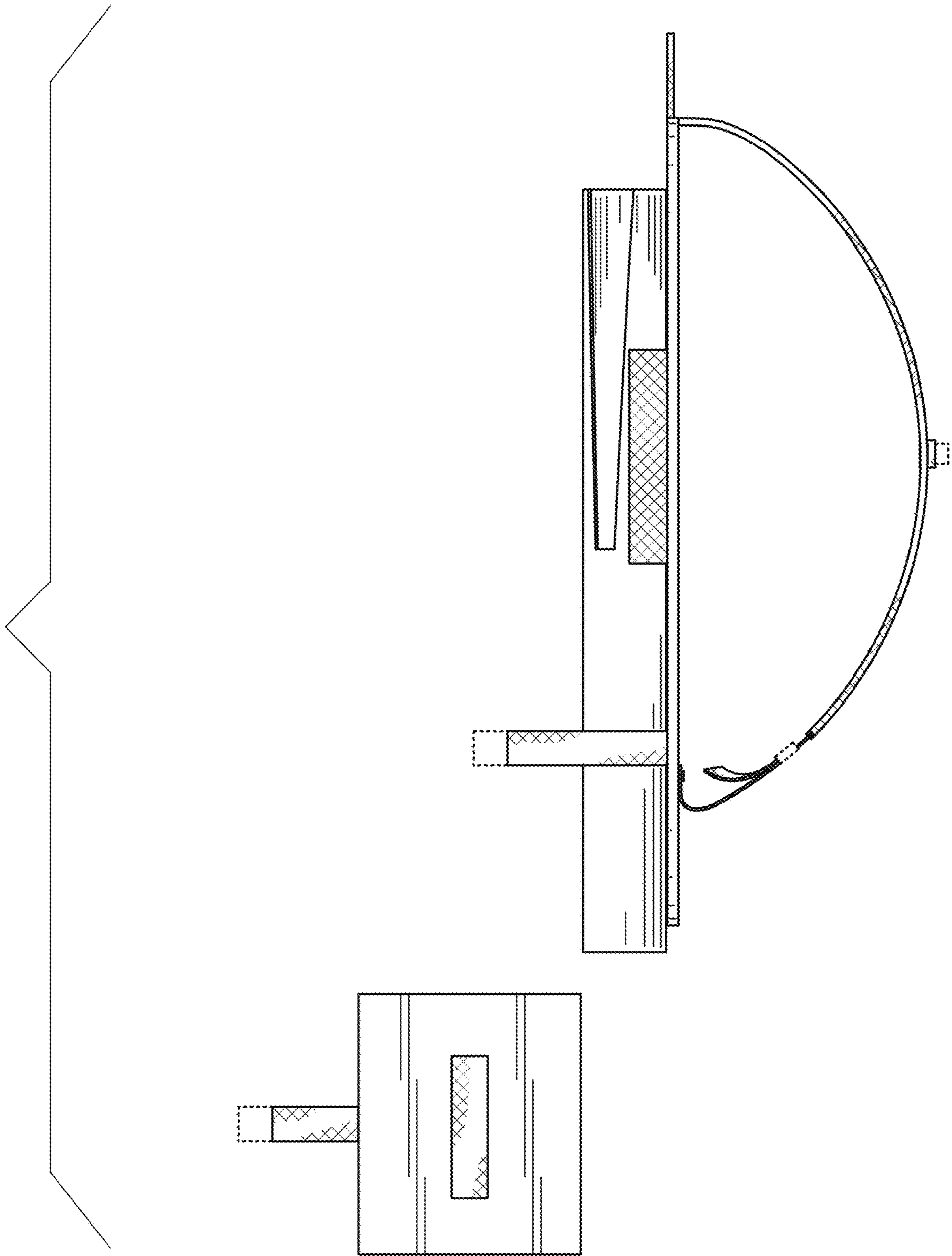


FIG. 5

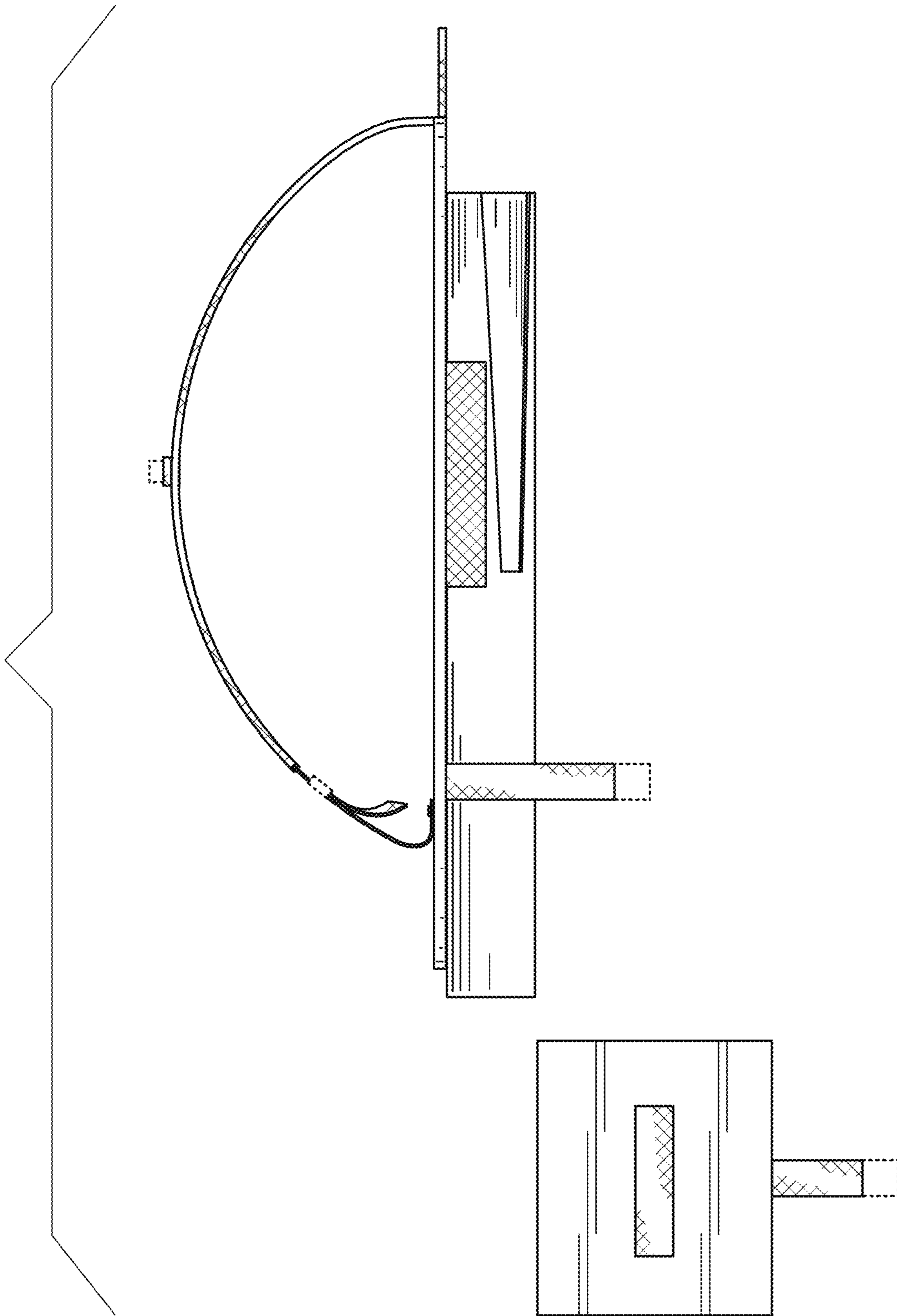


FIG. 6

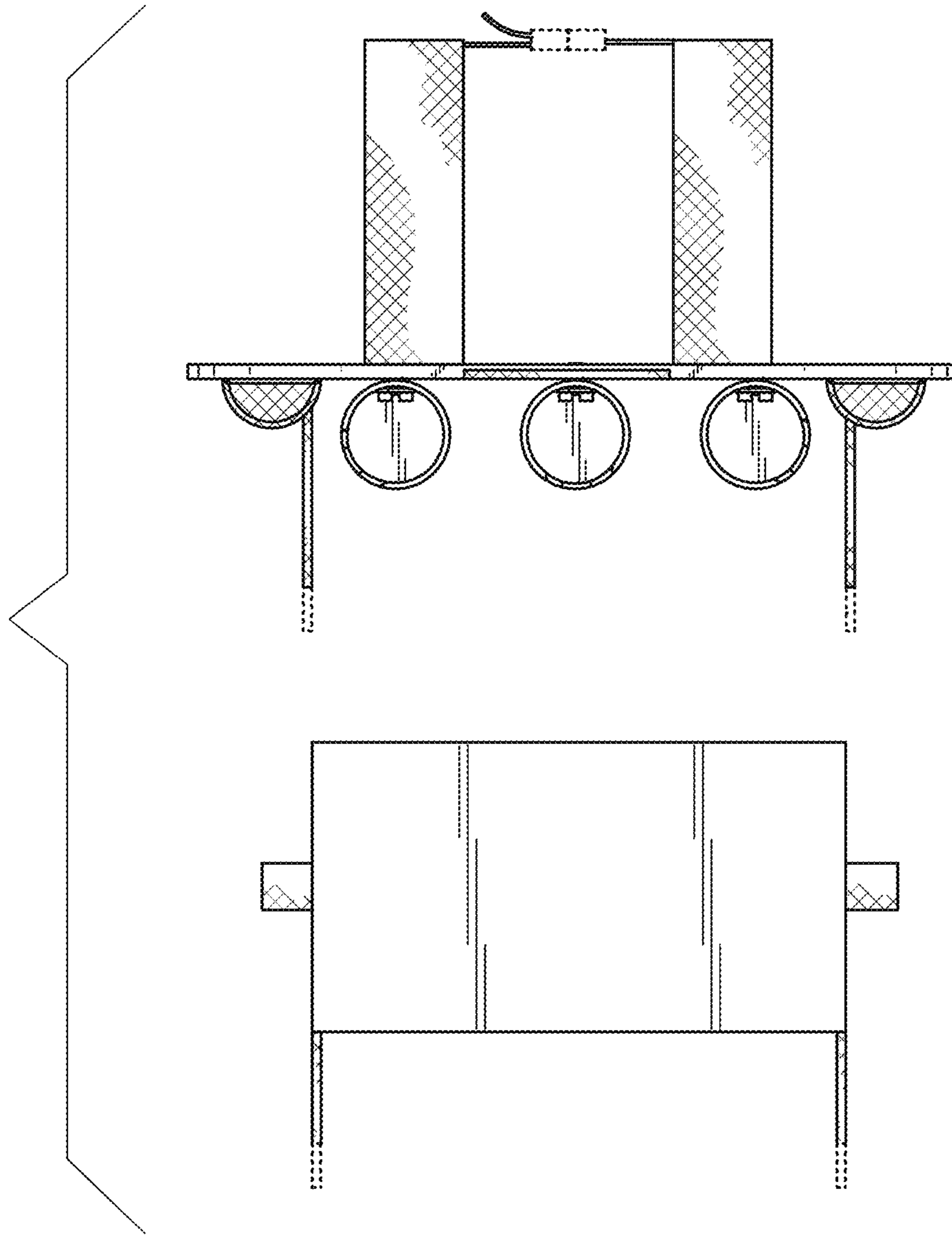


FIG. 7

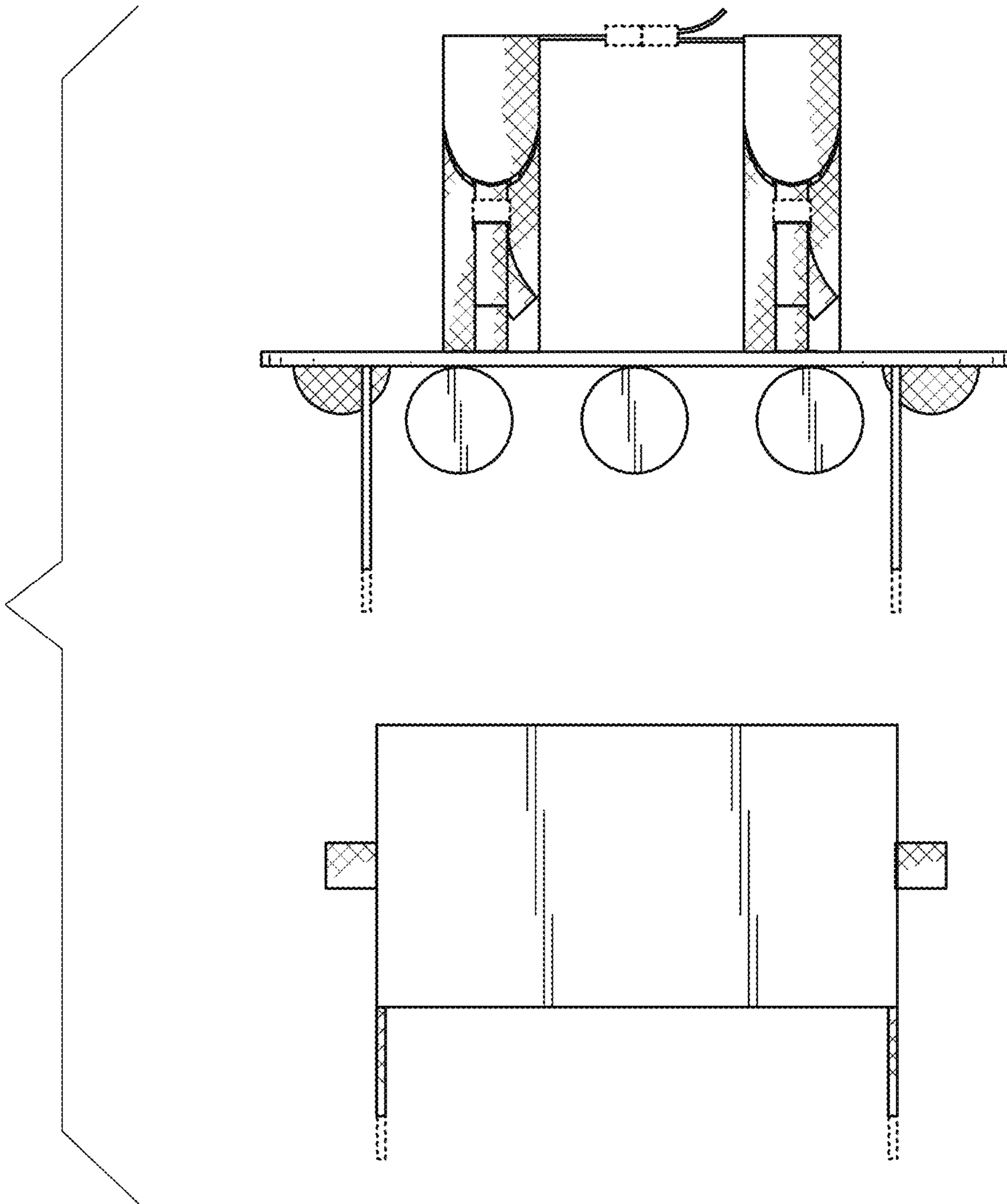


FIG. 8