



US00D807024S

(12) **United States Design Patent**
Dandachli

(10) **Patent No.:** **US D807,024 S**
(45) **Date of Patent:** **** Jan. 9, 2018**

(54) **RETRACTABLE KEYCHAIN DEVICE**

(71) Applicant: **Boostnatics, LLC**, Austin, TX (US)

(72) Inventor: **Youssef Dandachli**, Austin, TX (US)

(73) Assignee: **Boostnatics, LLC**, Austin, TX (US)

(**) Term: **15 Years**

(21) Appl. No.: **29/576,877**

(22) Filed: **Sep. 7, 2016**

(51) **LOC (11) Cl.** **03-01**

(52) **U.S. Cl.**

USPC **D3/211**

(58) **Field of Classification Search**

USPC D11/1-2, 14, 26-29, 89-92, 44, 48, 81,
D11/99; 63/26-28, 32; D3/207-212;
D8/16, 38, 347, 348, 33, 34; 70/456 B,
70/457, 458, 456 R; 206/37.1, 37;
D14/434, 435, 435.1, 436, 439, 480.3,
D14/480.1, 480.5, 480.7; D24/174, 173,
D24/480.3; D2/882, 886, 891

CPC A45C 11/32; A47G 29/10; A44B 15/00

See application file for complete search history.

(56) **References Cited**

U.S. PATENT DOCUMENTS

D368,269 S * 3/1996 Chapman D15/5
D722,763 S * 2/2015 Dandachli D14/435.1
D751,283 S * 3/2016 Dandachli D14/435.1
D751,685 S * 3/2016 Wanezaki D23/386
D765,966 S * 9/2016 Dandachli D3/211
D785,926 S * 5/2017 Dandachli D3/211

(Continued)

Primary Examiner — Ralf T Seifert

(74) *Attorney, Agent, or Firm* — Pierson IP, PLLC

(57) **CLAIM**

The ornamental design for a retractable keychain device, as shown and described.

DESCRIPTION

FIG. 1 is a perspective view of a retractable keychain device showing our new design thereof, wherein the retractable portion is positioned within the keychain;

FIG. 2 is a first side view of the retractable keychain device shown in FIG. 1;

FIG. 3 is a second side view of the retractable keychain device shown in FIG. 1;

FIG. 4 is a front view of the retractable keychain device shown in FIG. 1;

FIG. 5 is a back view of the retractable keychain device shown in FIG. 1;

FIG. 6 is a top view of the retractable keychain device shown in FIG. 1;

FIG. 7 is a bottom view of the retractable keychain device shown in FIG. 1;

FIG. 8 is a perspective view of the retractable keychain device shown in FIG. 1 with the retractable portion being partially extended;

FIG. 9 is a first side view of the retractable keychain device shown in FIG. 8;

FIG. 10 is a second side view of the retractable keychain device shown in FIG. 8;

FIG. 11 is a front view of the retractable keychain device shown in FIG. 8;

FIG. 12 is a back view of the retractable keychain device shown in FIG. 8;

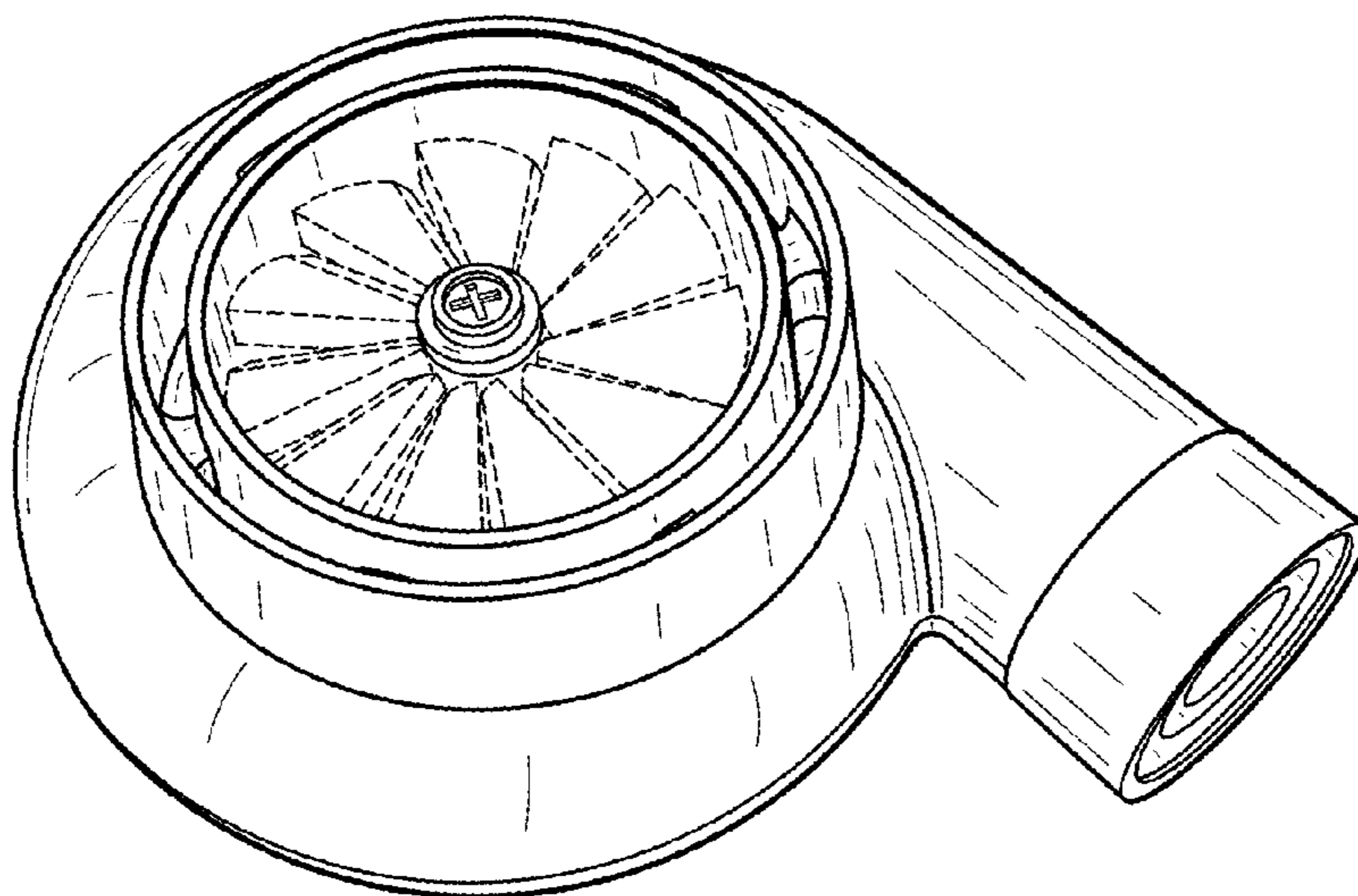
FIG. 13 is a top view of the retractable keychain device shown in FIG. 8;

FIG. 14 is a bottom view of the retractable keychain device shown in FIG. 8; and,

FIG. 15 is a perspective view of the retractable keychain device shown in FIGS. 1 and 8 with the retractable portion being extended.

Elements shown in broken lines show environmental structures of the keychain device and form no part of our design.

1 Claim, 9 Drawing Sheets



(56)

References Cited

U.S. PATENT DOCUMENTS

D786,549 S * 5/2017 Dandachli D3/211
D793,452 S * 8/2017 Regnier D15/5

* cited by examiner

FIG. 1

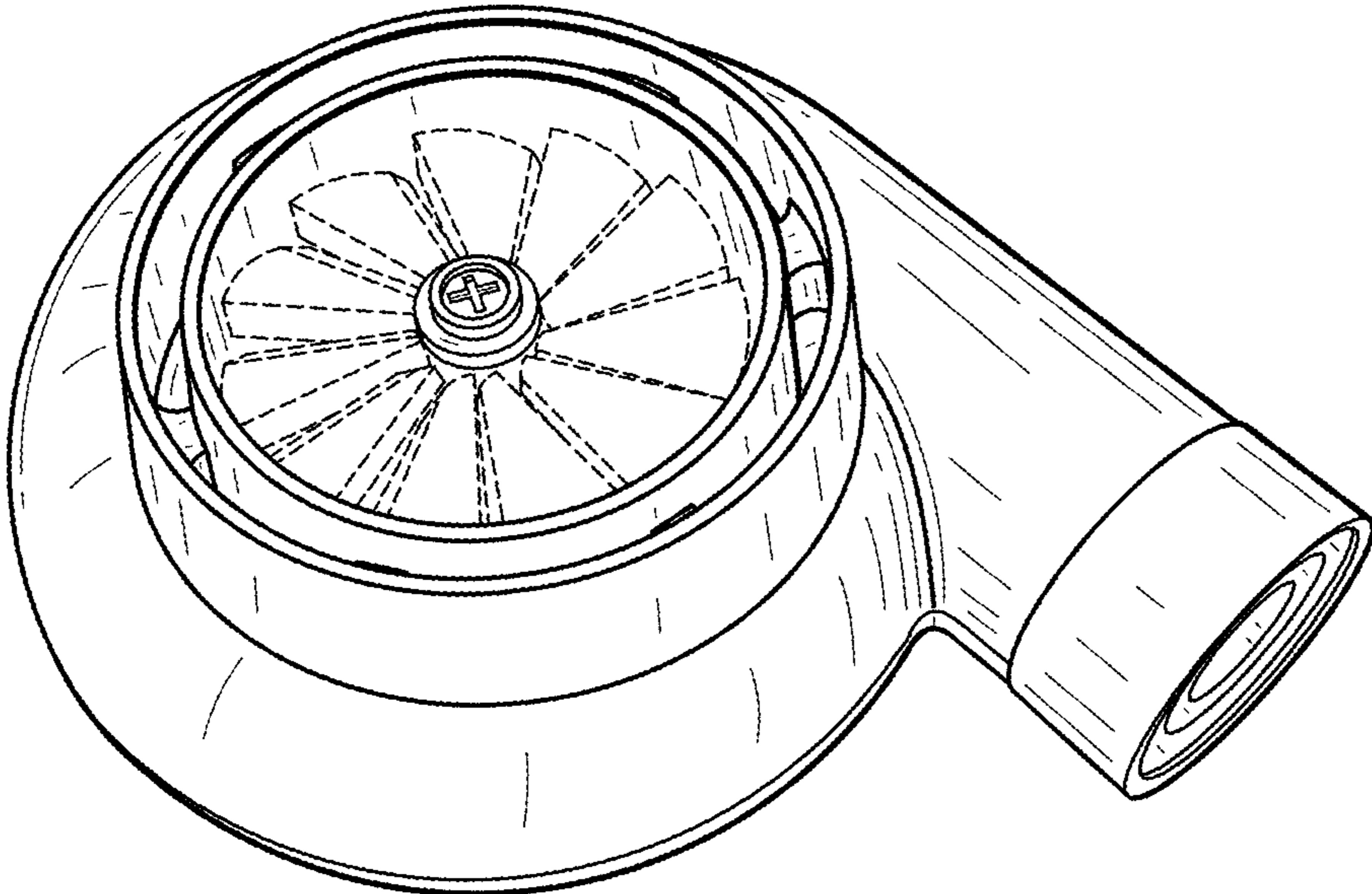


FIG. 2

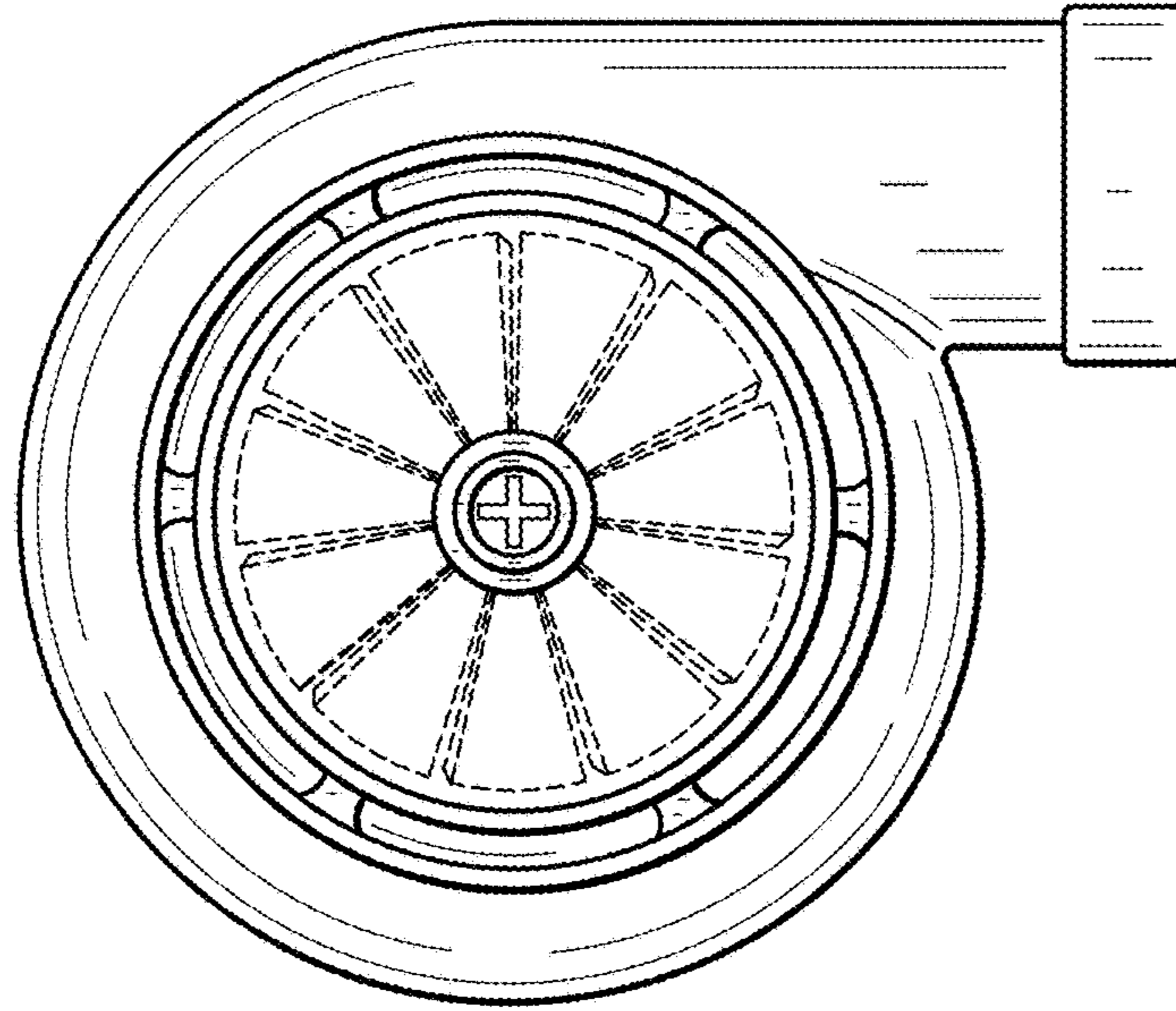


FIG. 3

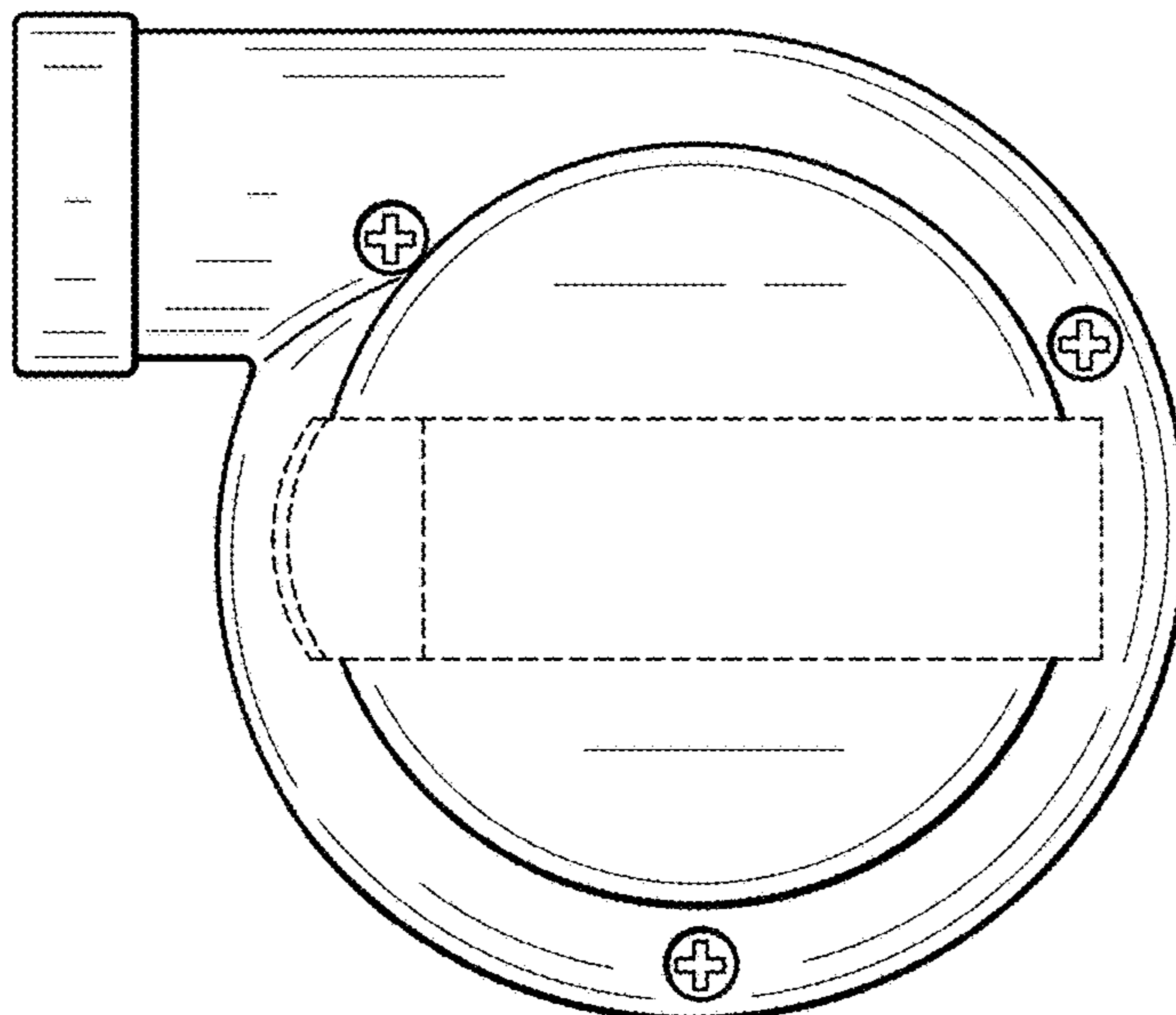


FIG. 4

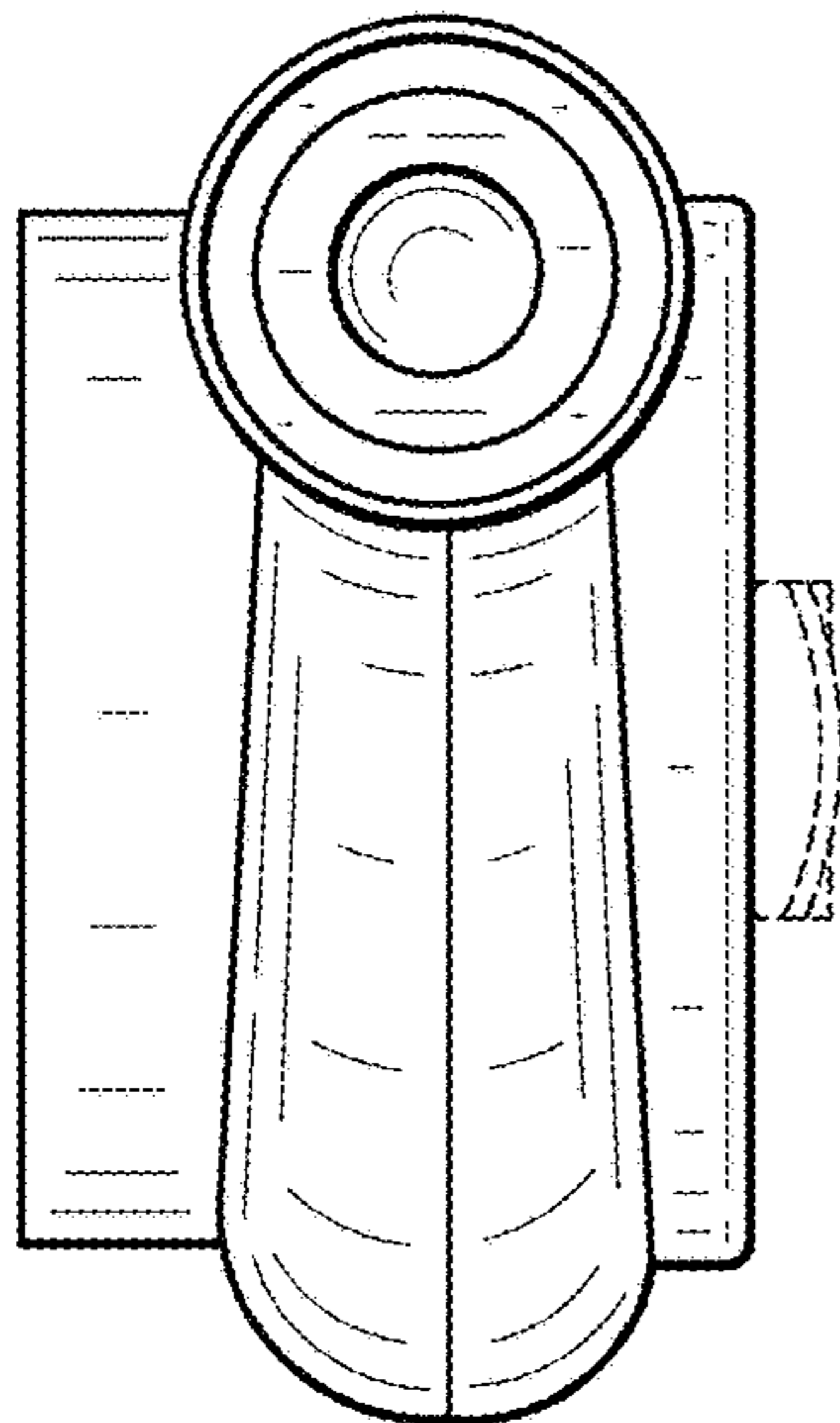


FIG. 5

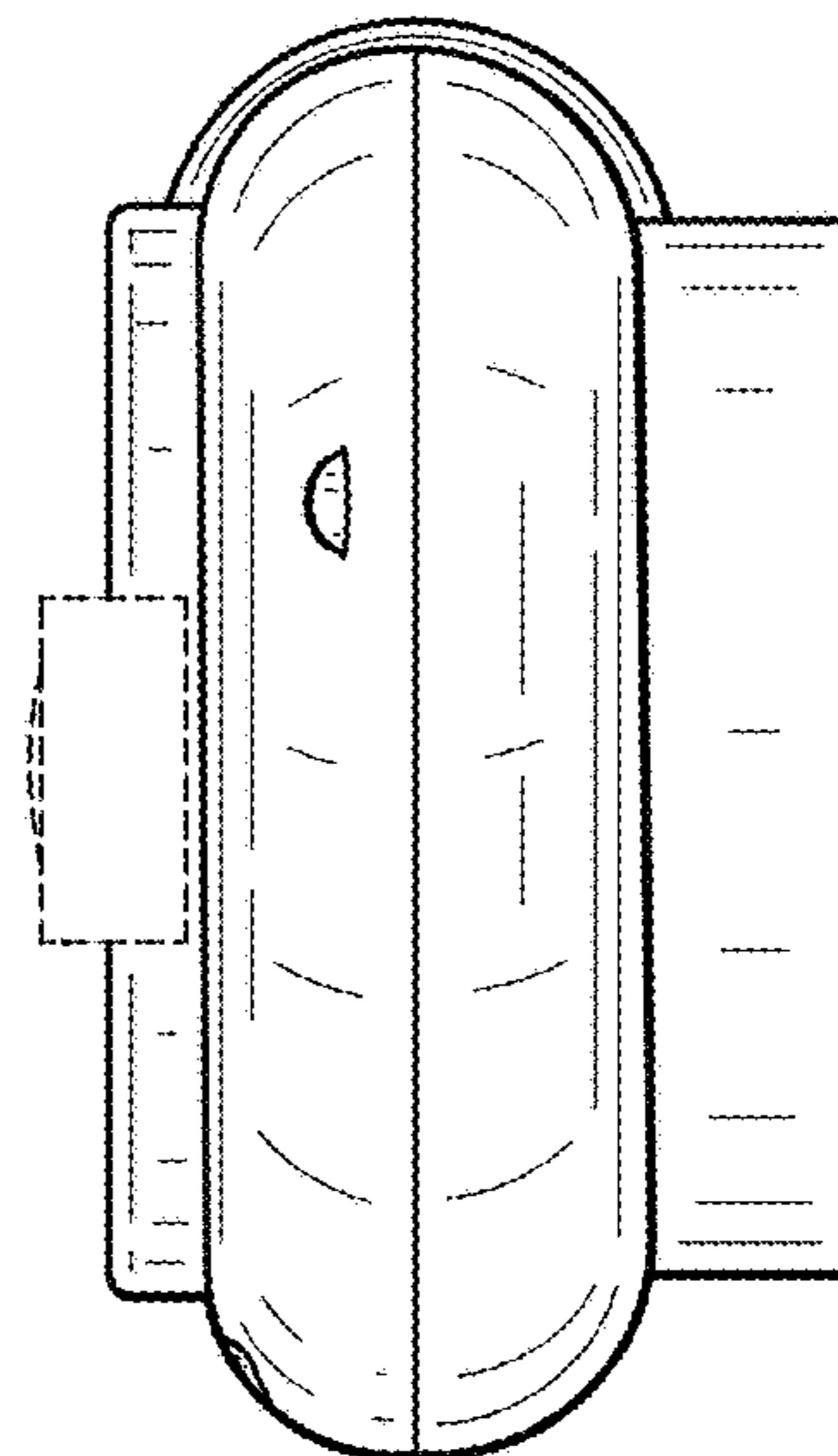


FIG. 6

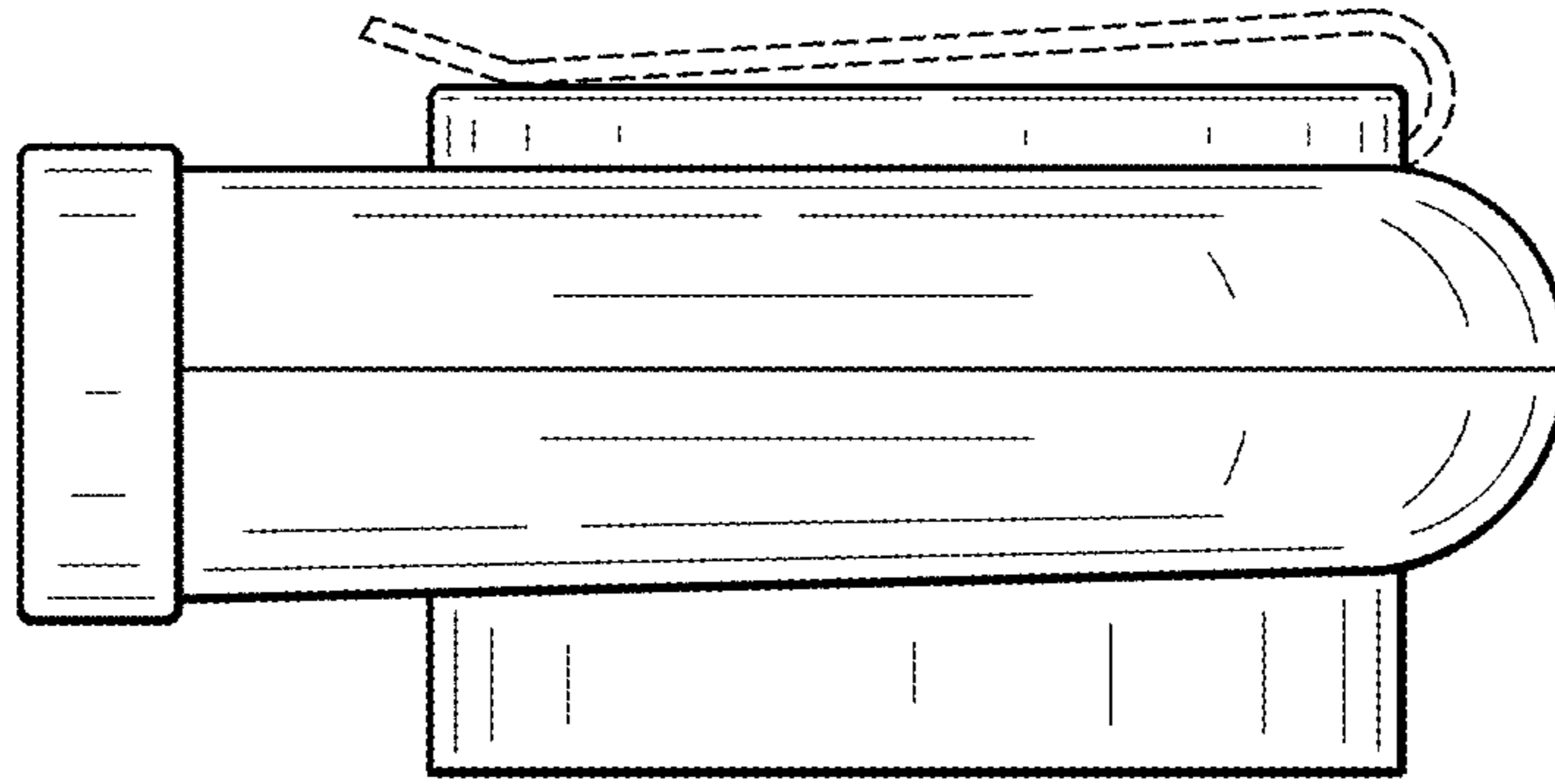


FIG. 7

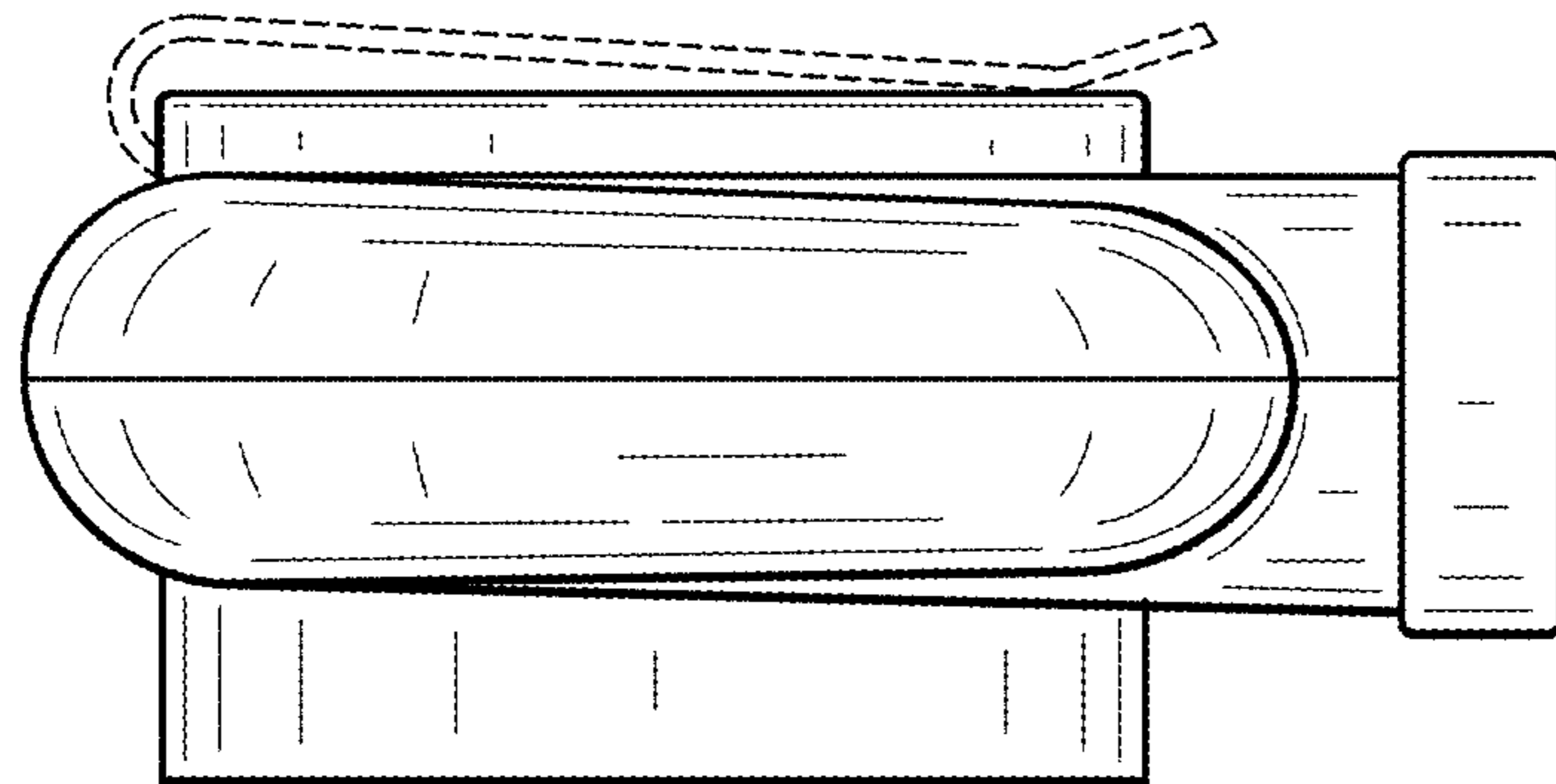


FIG. 8

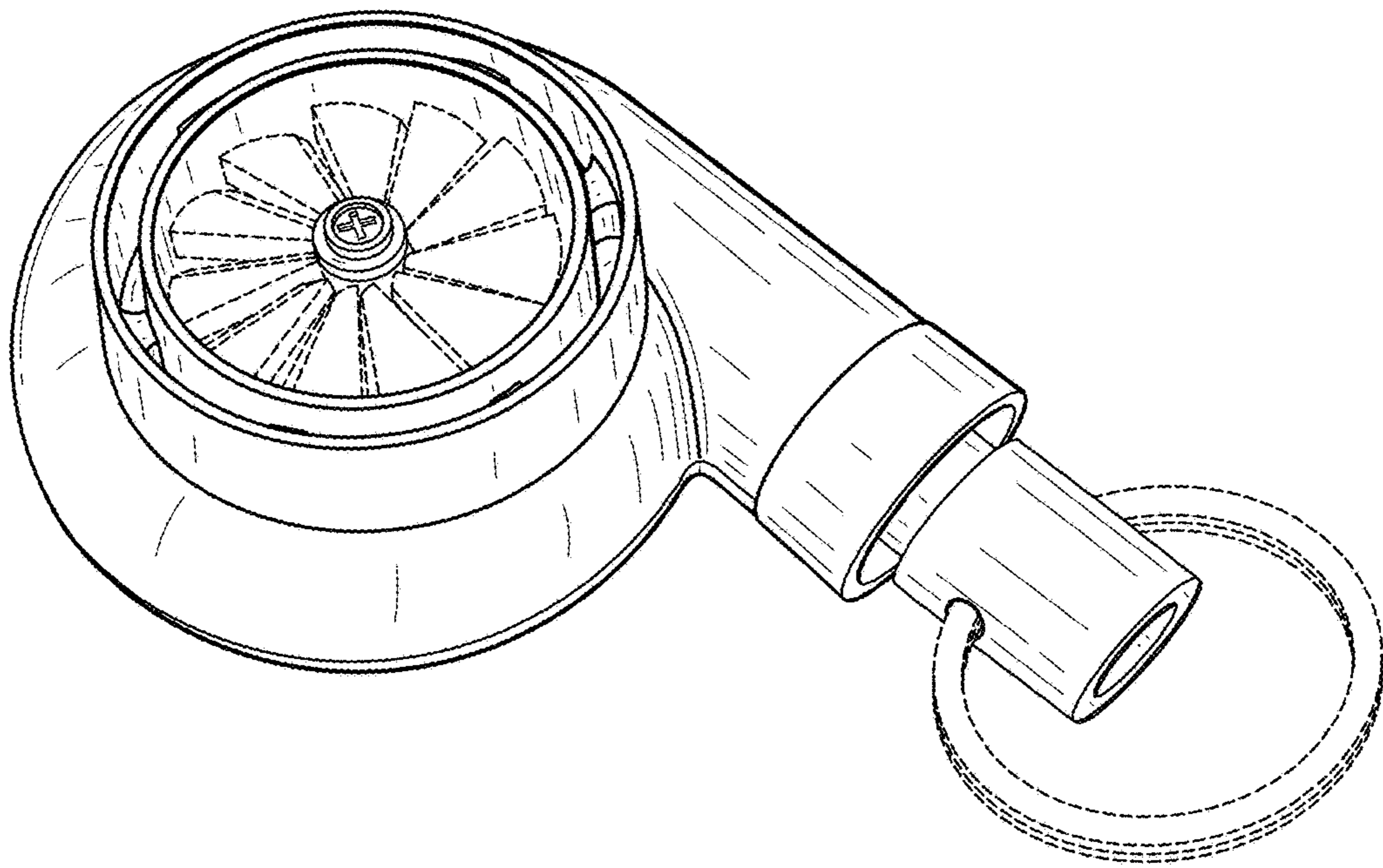


FIG. 9

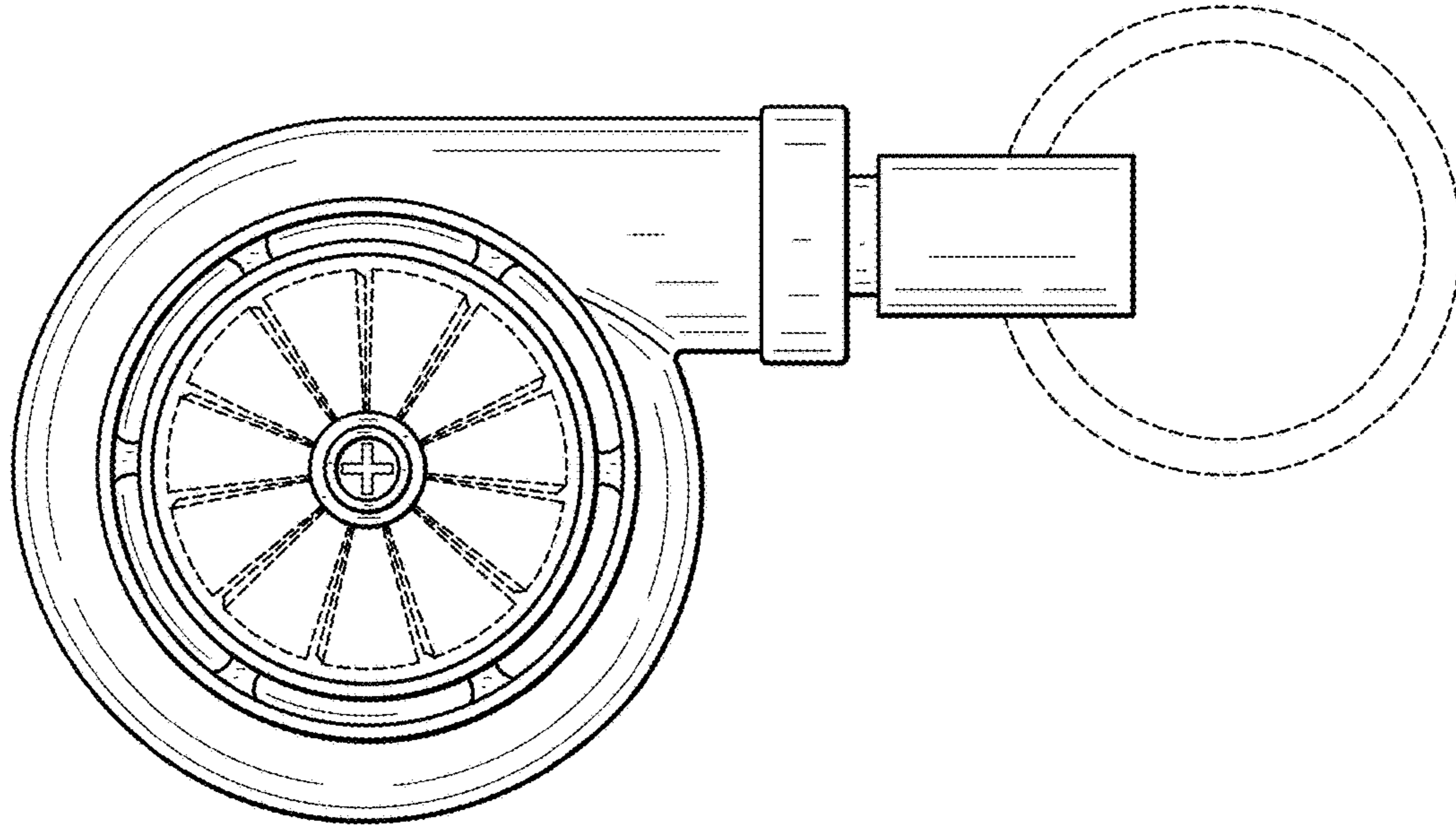


FIG. 10

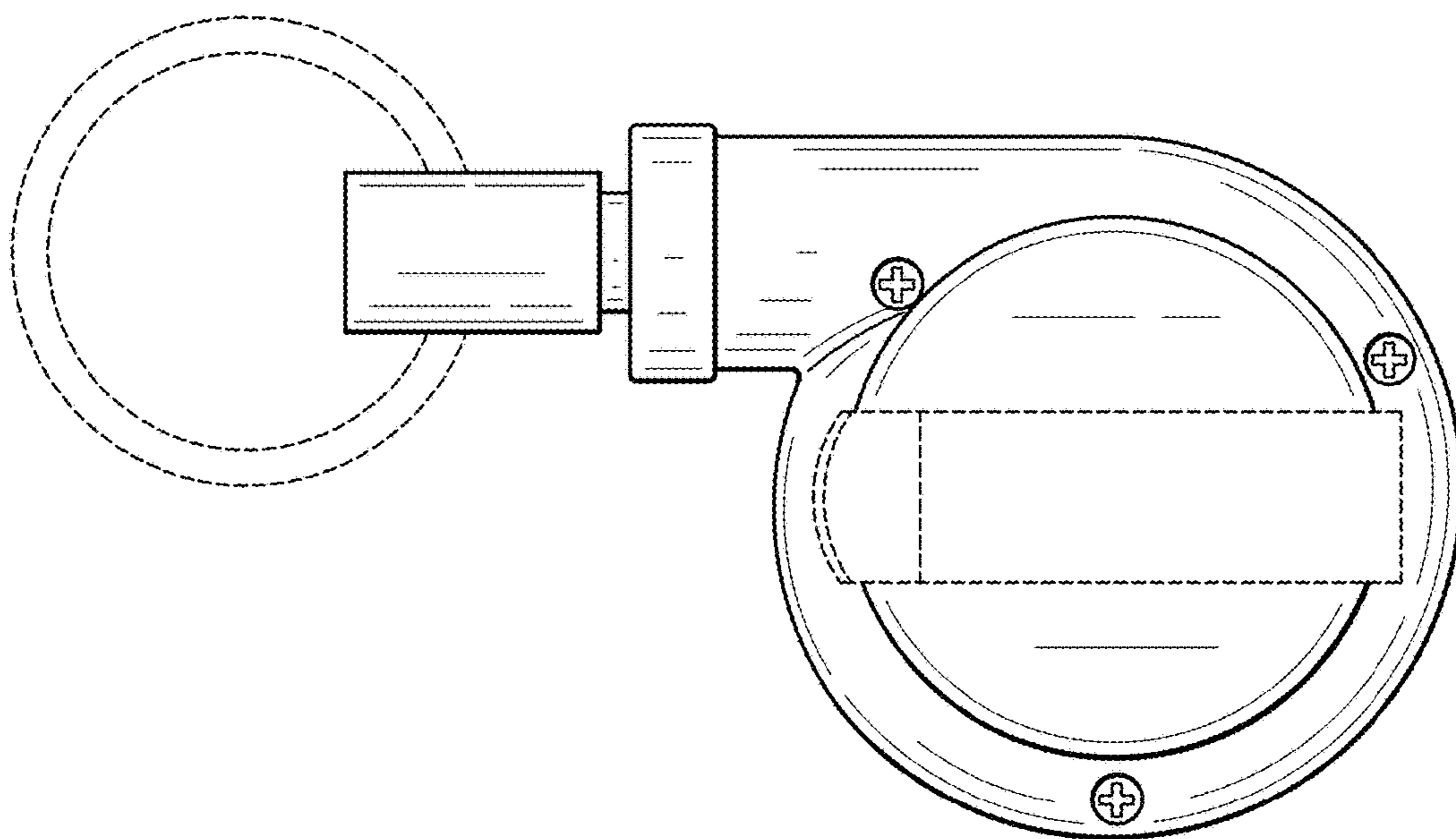


FIG. 11

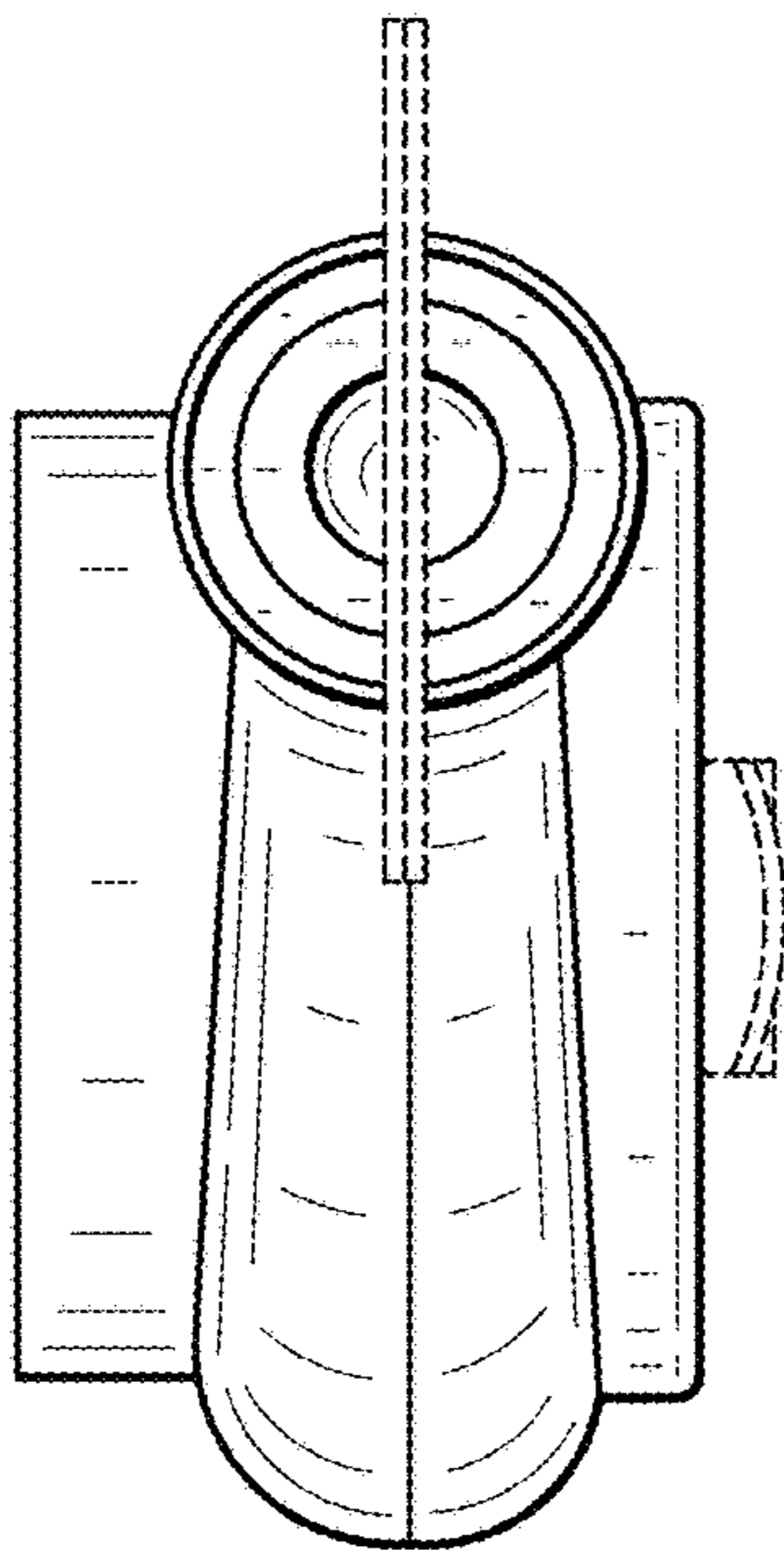


FIG. 12

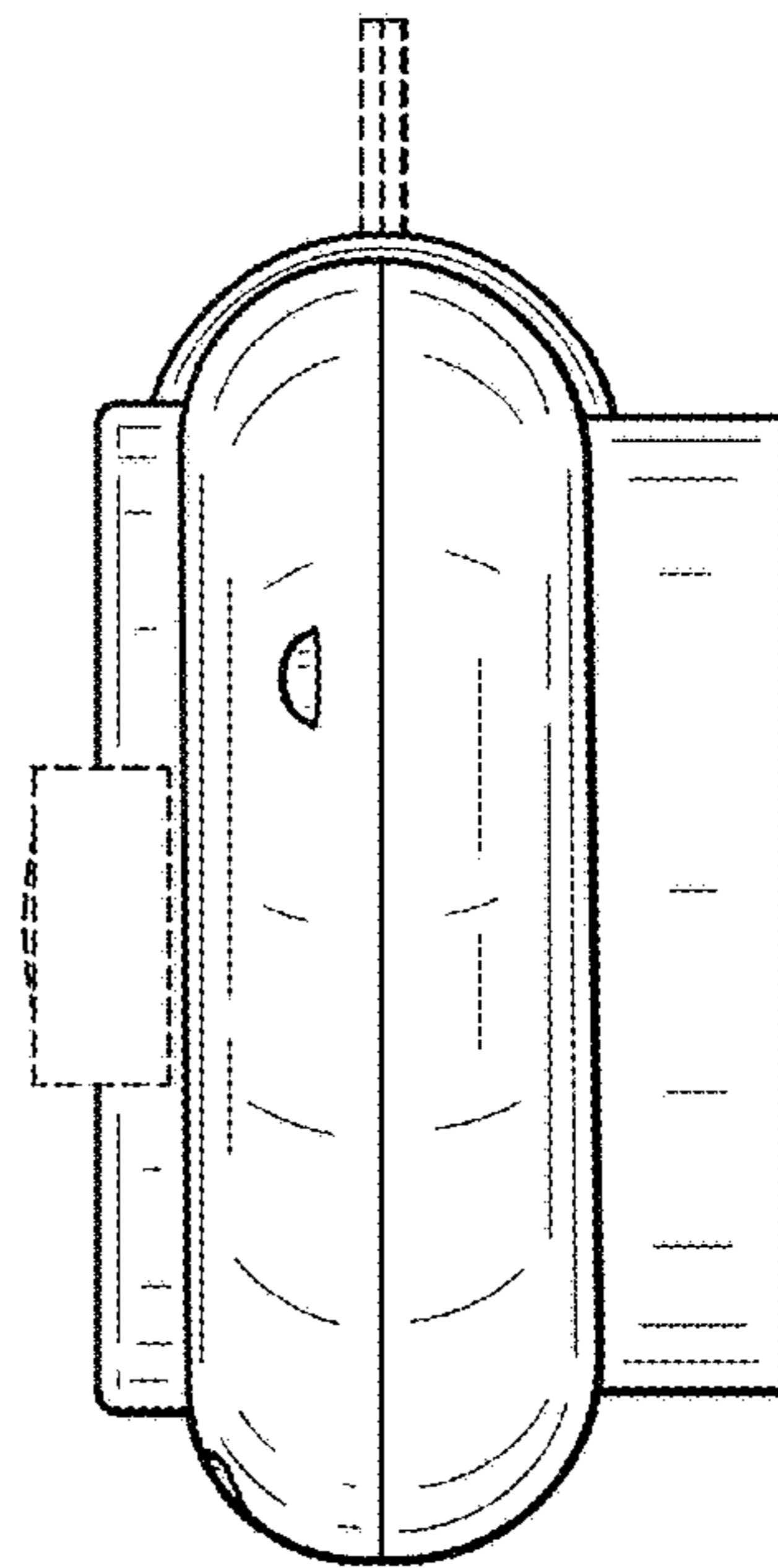


FIG. 13

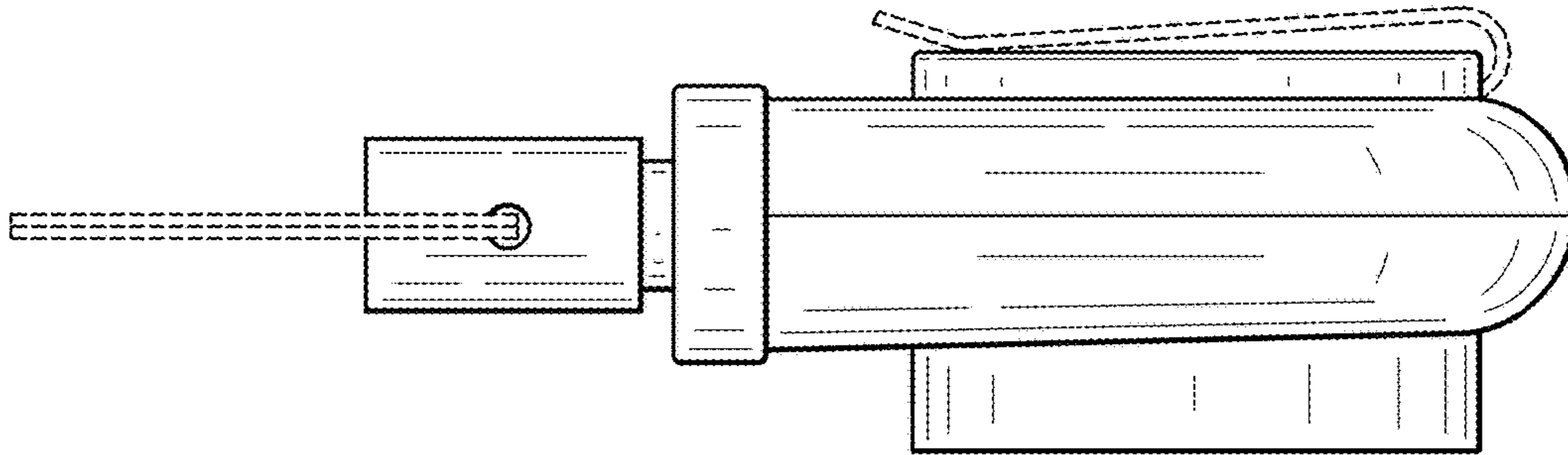


FIG. 14

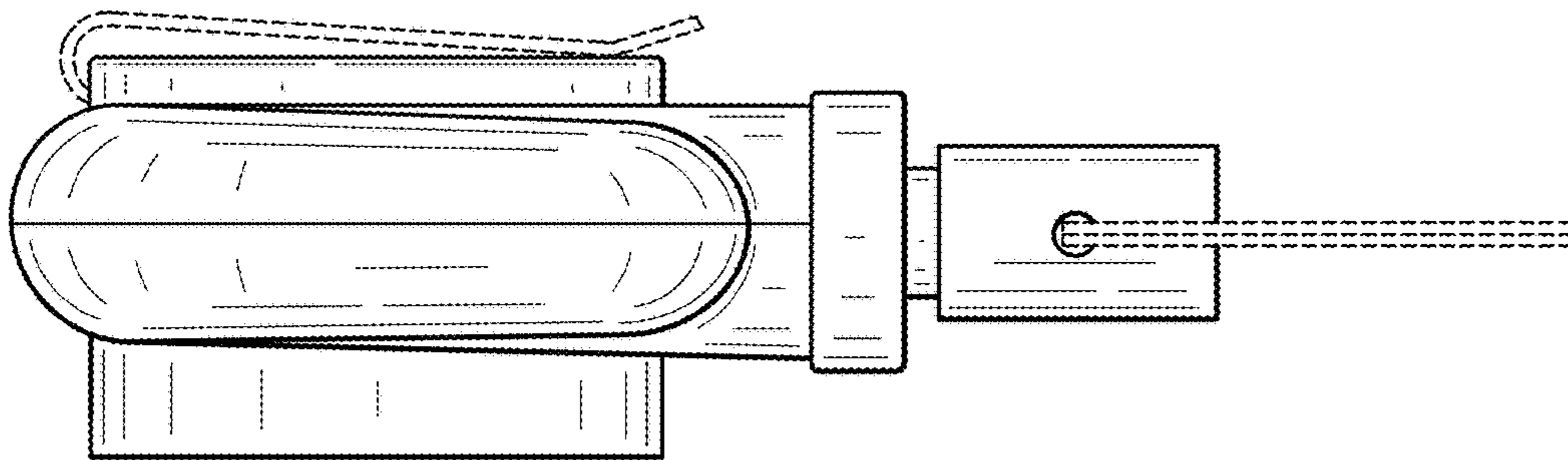


FIG. 15

