



US00D807021S

(12) **United States Design Patent** (10) **Patent No.:** **US D807,021 S**
Garneau et al. (45) **Date of Patent:** **** Jan. 9, 2018**

(54) **SHOE**
(71) Applicant: **LOUIS GARNEAU SPORTS INC,**
St-Augustin-de-Desmaures (CA)
(72) Inventors: **Louis Garneau,**
Saint-Augustin-de-Desmaures (CA);
René Plourde, Québec (CA)
(73) Assignee: **LOUIS GARNEAU SPORTS INC.,**
Quebec (CA)
(**) Term: **15 Years**
(21) Appl. No.: **29/587,836**
(22) Filed: **Dec. 15, 2016**
(51) **LOC (11) Cl.** **02-04**
(52) **U.S. Cl.**
USPC **D2/974**
(58) **Field of Classification Search**
USPC D2/902, 901, 903, 904, 905, 907, 908,
D2/909, 910, 911, 912, 916, 918, 919,
D2/923, 924, 925, 943-947, 953, 958,
D2/959, 960, 964, 968, 969, 970, 972,
D2/973, 974, 977, 948, 975
CPC ... A43B 3/0047; A43B 3/0052; A43B 3/0057;
A43B 3/0063; A43B 3/0068; A43B
3/0073; A43B 1/04; A43B 1/06; A43B
5/00; A43B 5/02; A43B 5/06; A43B 5/10;
A43B 5/14; A43B 13/125; A43B 13/186;
A43B 23/0245; A43B 13/00; A43B
11/00; A43B 23/26; A43B 13/127; A43B
13/023; A43C 7/06
See application file for complete search history.

(56) **References Cited**
U.S. PATENT DOCUMENTS
D90,631 S * 9/1933 Reith D2/935
D96,687 S * 8/1935 Lutz D2/945
D334,277 S * 3/1993 Teague D2/970

D448,148 S * 9/2001 Matis D2/902
D495,474 S * 9/2004 Dal Magro D2/916
D498,044 S * 11/2004 Morris D2/972
D508,603 S * 8/2005 Newson D2/972
D515,288 S * 2/2006 Della Valle D2/902
D546,546 S * 7/2007 Chang D2/972
D574,587 S * 8/2008 McDowell D2/969
D586,548 S * 2/2009 Harlow D2/972
D597,293 S * 8/2009 Banik D2/969
D718,033 S * 11/2014 Cin D2/972

(Continued)

OTHER PUBLICATIONS

Canadian Cyclist Garneau Wins Eurobike Award for Shoe Technology, by Editoress on Canadian Cyclist, Aug. 30, 2017, [online], [site visited Oct. 26, 2017]. Retrieved from url:http://www.canadiancyclist.com/industry.php?id=32972&title=garneau-wins-eurobike-award-for-shoe-technology (Year: 2017).*

(Continued)

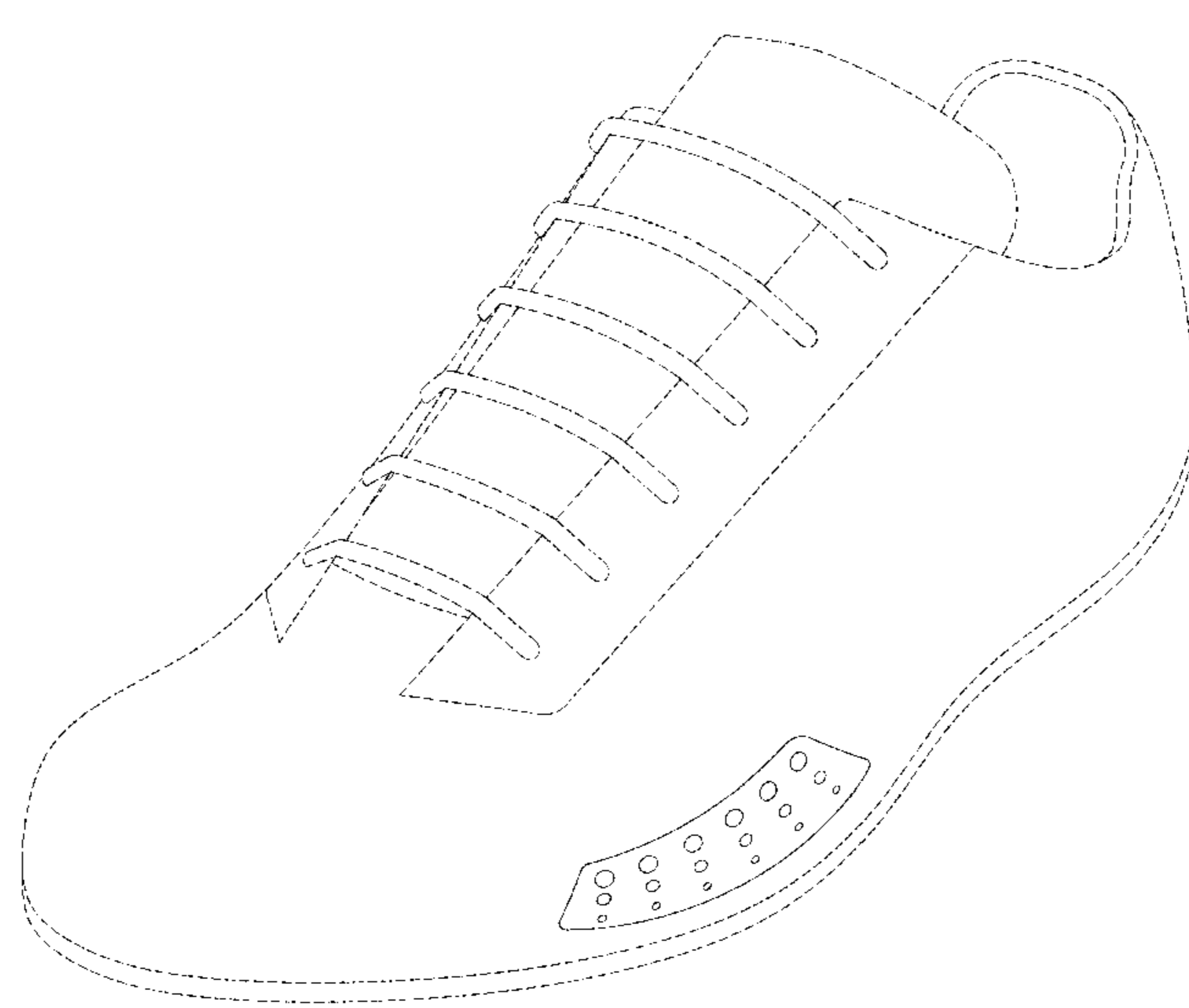
Primary Examiner — Susan E Krakower
Assistant Examiner — Tracey J Bell
(74) *Attorney, Agent, or Firm* — Cantor Colburn LLP

(57) **CLAIM**
The design for a shoe, as shown and described.

DESCRIPTION

FIG. 1 is a perspective view of a shoe in accordance with the present disclosure;
FIG. 2 is a lateral view of the shoe of FIG. 1;
FIG. 3 is a medial view of the shoe of FIG. 1;
FIG. 4 is a top view of the shoe of FIG. 1;
FIG. 5 is a front view of the shoe of FIG. 1;
FIG. 6 is a rear view of the shoe of FIG. 1; and,
FIG. 7 is a bottom view of the shoe of FIG. 1.
The broken line portions are included to show environmental subject matter only and form no part of the claimed design.

1 Claim, 6 Drawing Sheets



(56)

References Cited

U.S. PATENT DOCUMENTS

D738,091 S * 9/2015 de Montgolfier D2/945
D798,571 S * 10/2017 Cochrane D2/972

OTHER PUBLICATIONS

Bont Riot TR Cycling Shoes, no date available, [online], [site visited Oct. 26, 2017]. Retrieved from url:https://www.amazon.com/Bont-Riot-TR-Cycling-Shoes/dp/B00IZ4S97Y/ref=sr_1_3?ie=UTF8&qid=1509047692&sr=8-3&keywords=Bont+Riot (Year: 2017).*

* cited by examiner

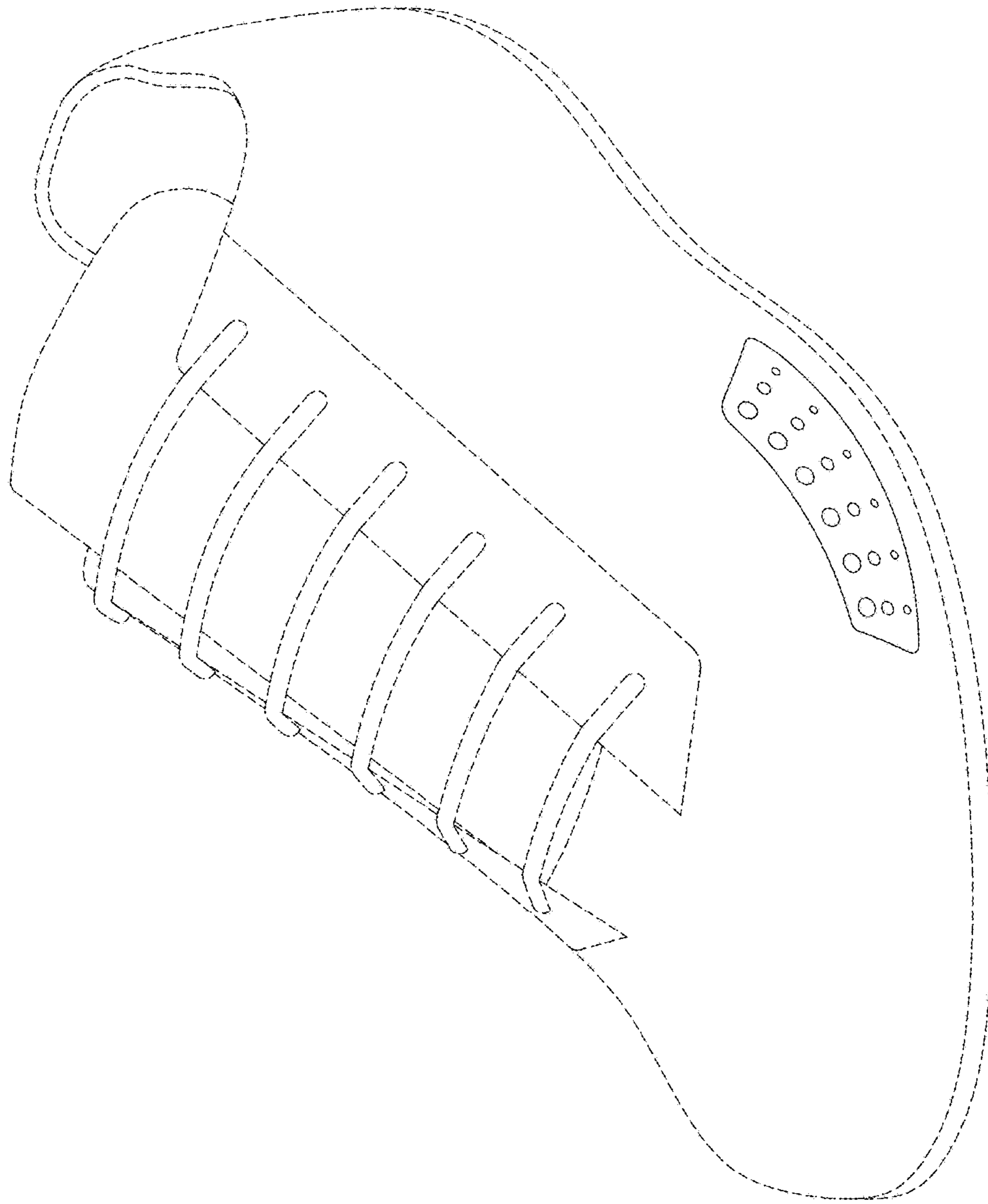


FIG. 1

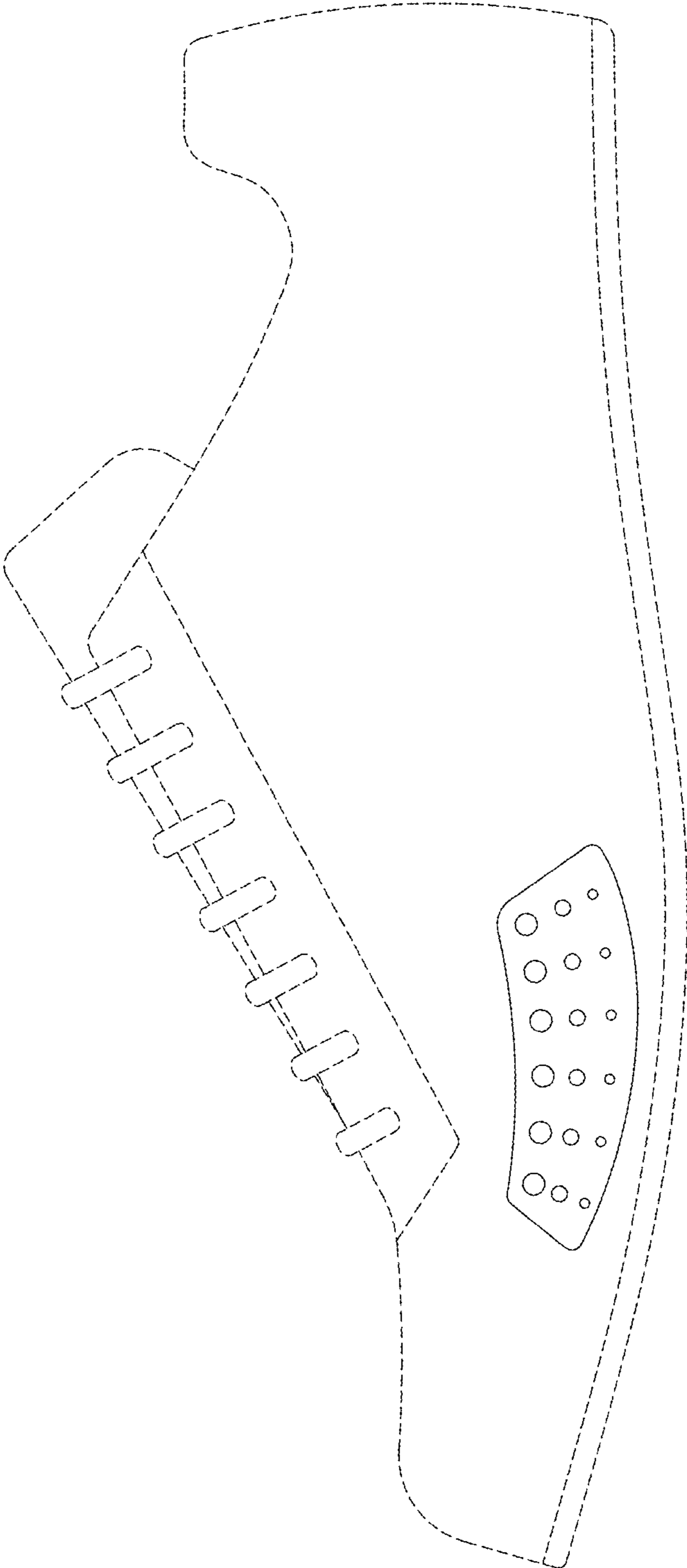


FIG. 2

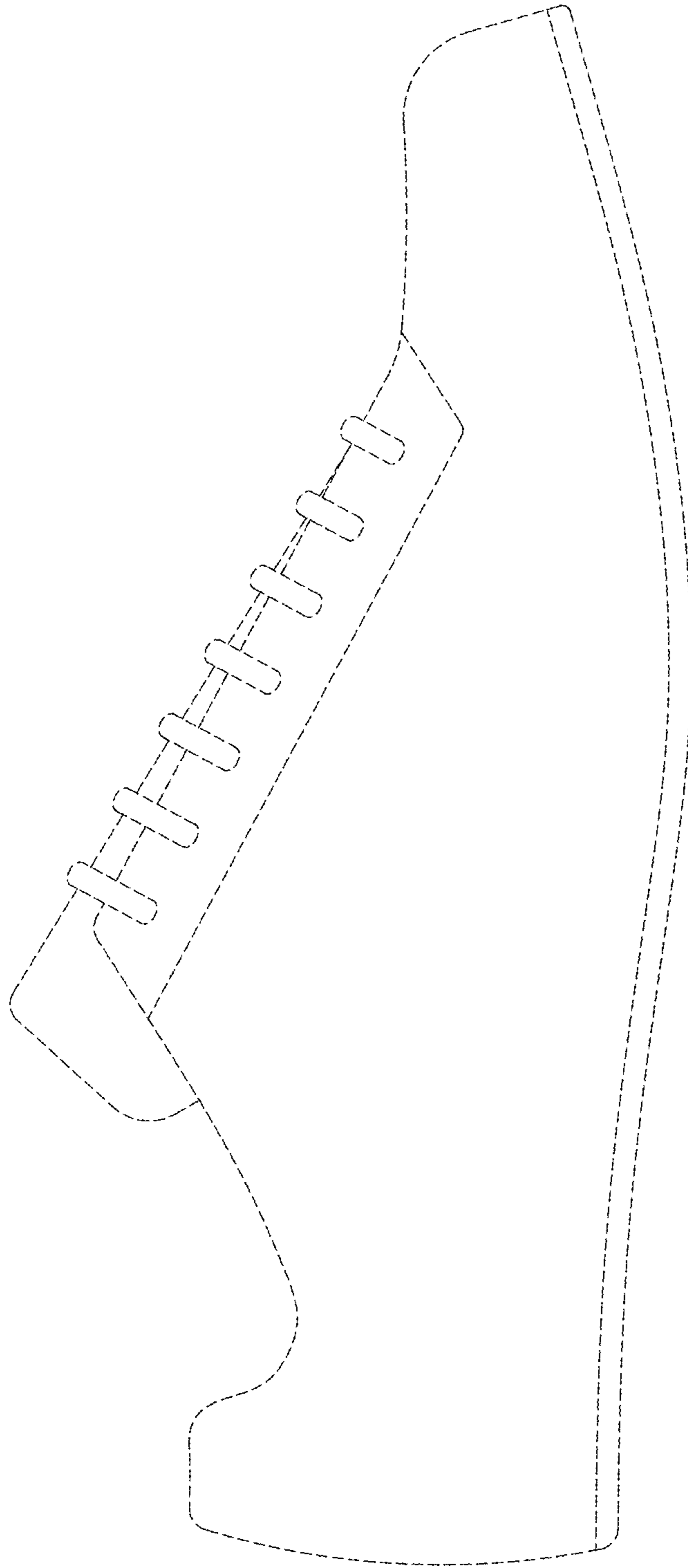


FIG. 3

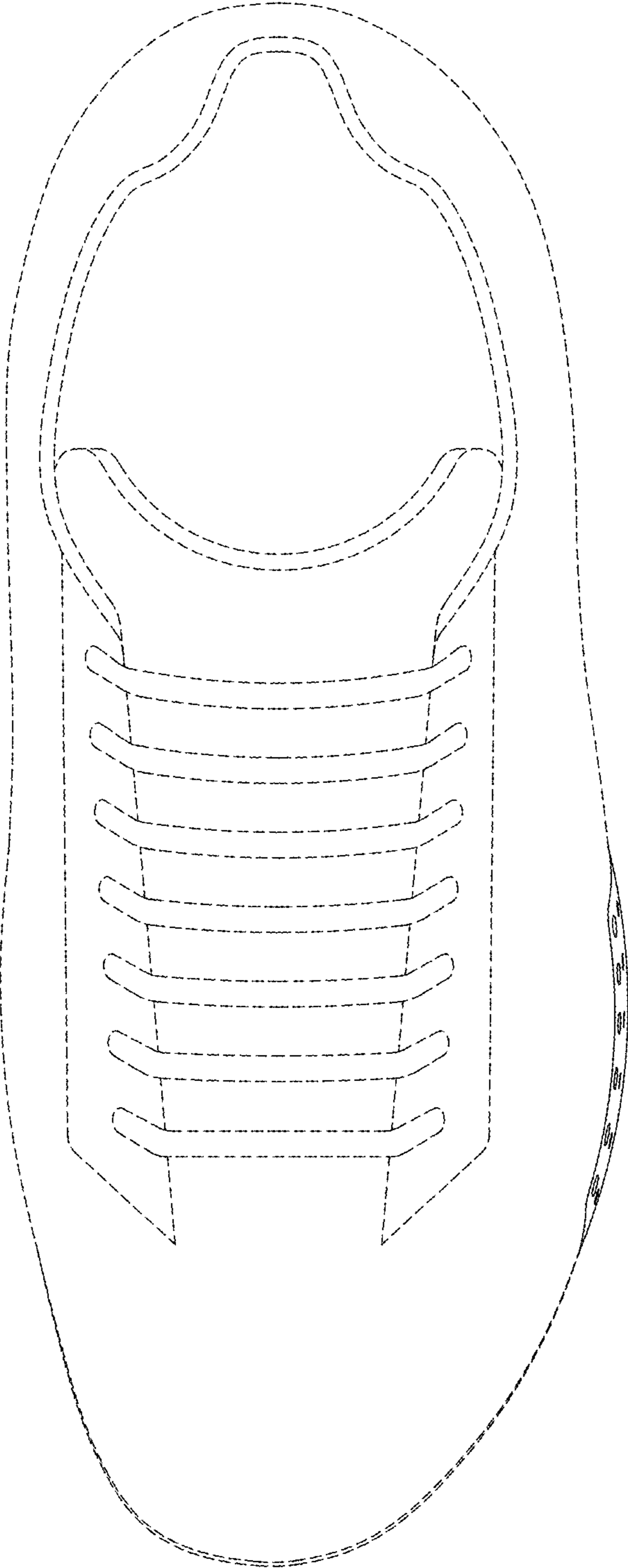


FIG. 4

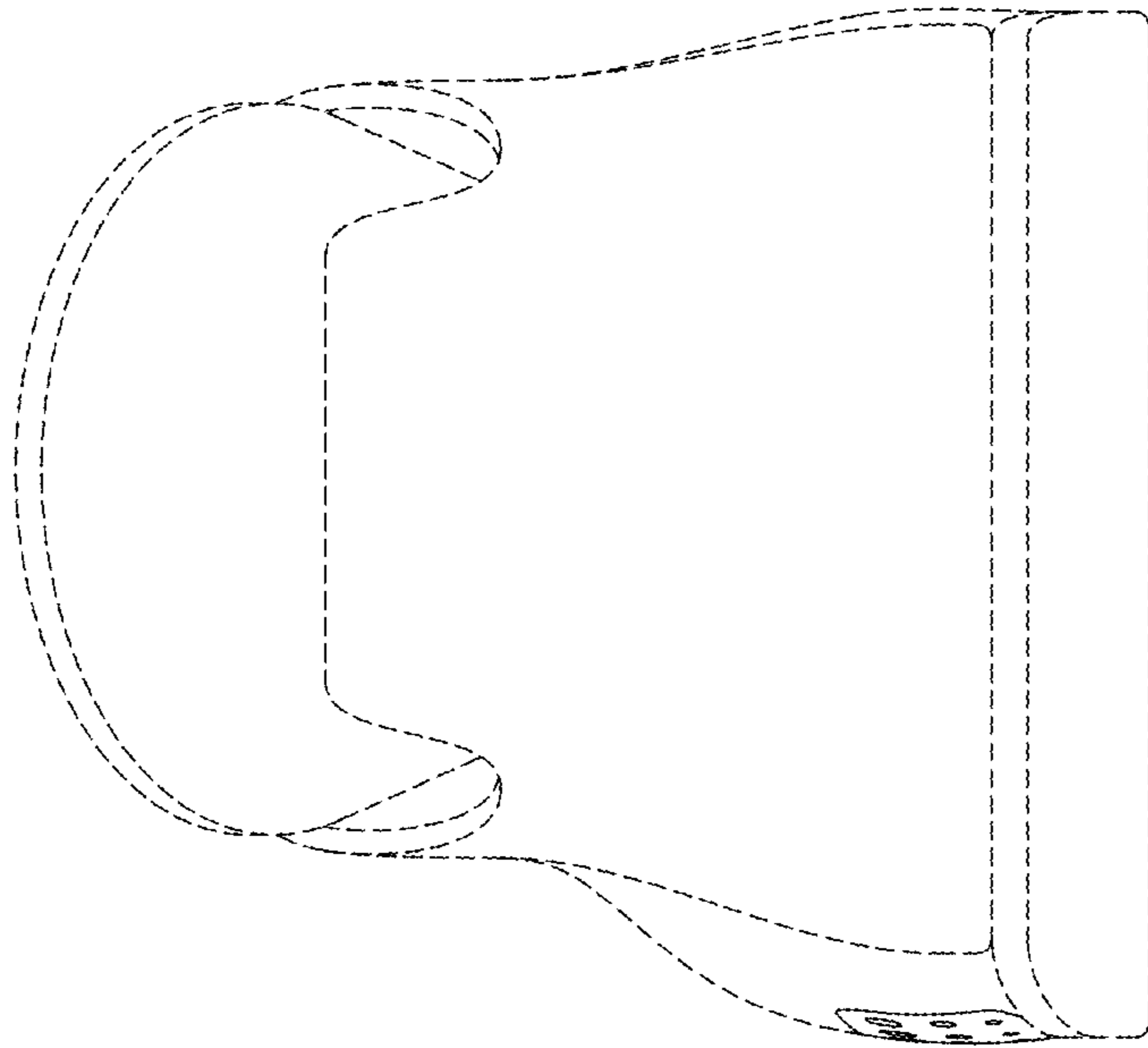


FIG. 5

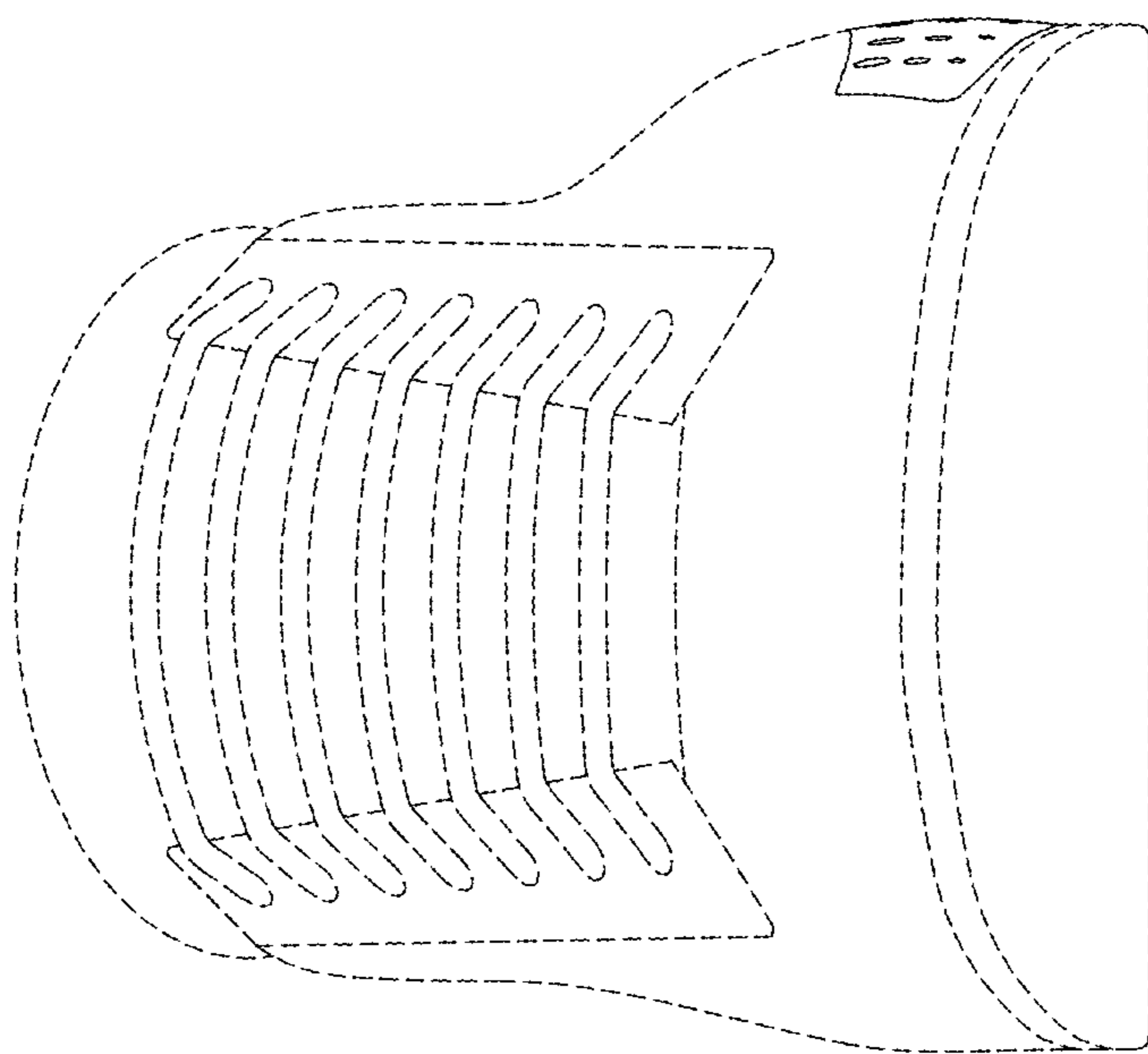


FIG. 6

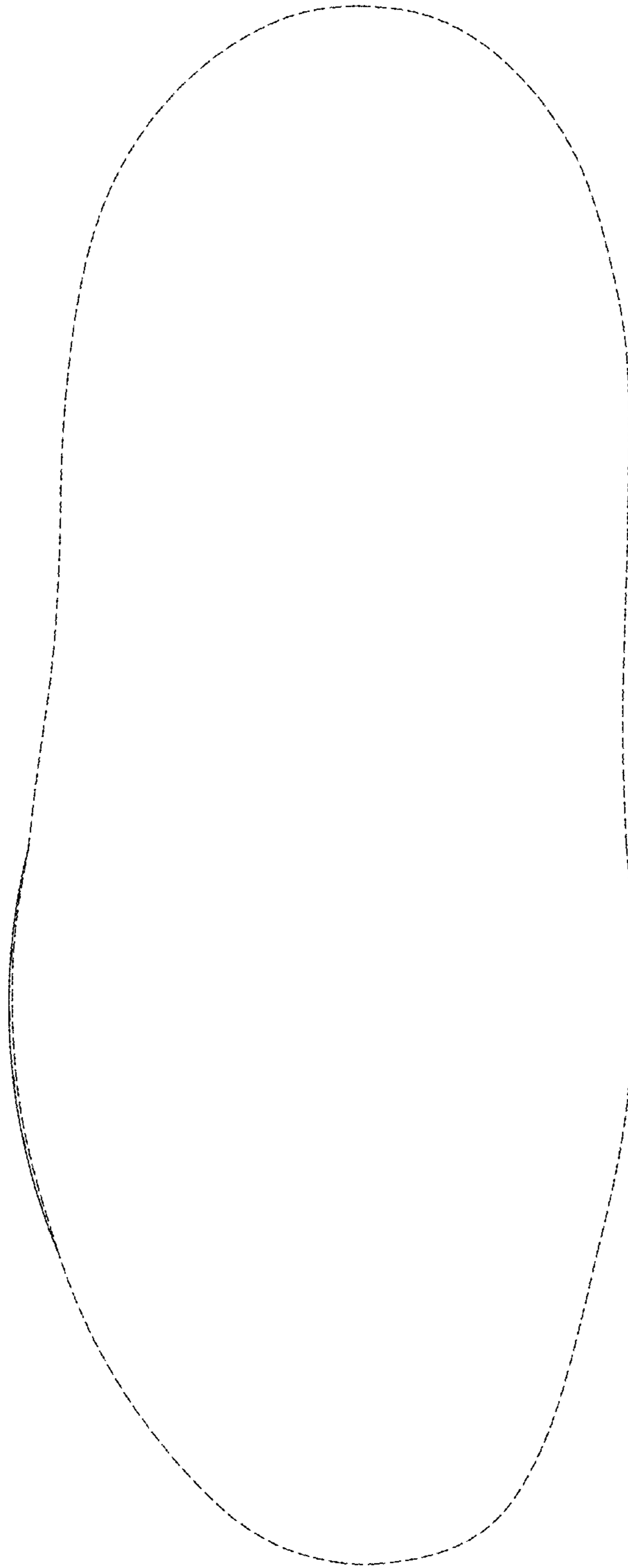


FIG. 7