



US00D807005S

(12) **United States Design Patent**  
**Savio et al.**

(10) **Patent No.:** **US D807,005 S**  
(45) **Date of Patent:** **\*\* Jan. 9, 2018**

(54) **MID-SOLE CLEAT**

(71) Applicant: **Geroline Inc.**, Fonthill (CA)

(72) Inventors: **John Savio**, Welland (CA); **Greg McCandless**, St. Catharines (CA)

(73) Assignee: **Geroline Inc.**, Ontario (CA)

(\*\*) Term: **15 Years**

(21) Appl. No.: **29/576,119**

(22) Filed: **Aug. 31, 2016**

(30) **Foreign Application Priority Data**

Jul. 6, 2016 (CA) ..... 169322  
Jul. 6, 2016 (CA) ..... 169323

(51) **LOC (11) Cl.** ..... **02-04**

(52) **U.S. Cl.**  
USPC ..... **D2/962**

(58) **Field of Classification Search**  
USPC ..... D2/962, 946, 906, 954, 947, 951, 960,  
D2/959, 624, 627, 629; 36/7.6, 64, 124,  
36/132, 59 R, 62, 66, 113; D21/768, 771;  
D15/24; D12/608  
CPC ..... A43C 15/068; A43C 15/09; A43C 15/06;  
A43C 15/066; A43C 15/061; A43C  
15/10; A43C 11/00; A43C 13/04; A43C  
15/02; A43C 15/065; A43C 15/161; A43C  
19/00; A43C 7/00; A43C 15/063; A43B  
5/02; A43B 13/26; A43B 5/0423; A63C  
13/003

See application file for complete search history.

(56) **References Cited**

**U.S. PATENT DOCUMENTS**

36,866 A \* 11/1862 Starr ..... A43C 15/063  
36/62  
156,094 A \* 10/1874 Lemmon ..... A43C 15/063  
36/62

905,510 A \* 12/1908 Frautschi, Jr. .... A43C 15/063  
36/62  
2,006,802 A \* 7/1935 Goodman ..... A43C 15/063  
36/127  
2,045,066 A \* 6/1936 Bower ..... A43B 23/227  
101/368

(Continued)

**OTHER PUBLICATIONS**

1 Pair 2017 New Durable Anti Slip Snow Ice Climbing Spikes, Jun. 19, 2017, [online], [site visited Aug. 26, 2017]. Retrieved from url:https://www.aliexpress.com/item/Winter-5-studs-Snow-Anti-Slip-ice-crampons-Mens-Ice-Snow-Crampons-Shoes-snow-walker-for/32802916137.html?spm=2114.search0302.4.40.1clbun.\*

(Continued)

*Primary Examiner* — Jeffrey D Asch  
*Assistant Examiner* — Tracey J Bell  
(74) *Attorney, Agent, or Firm* — Andrus Intellectual Property Law, LLP

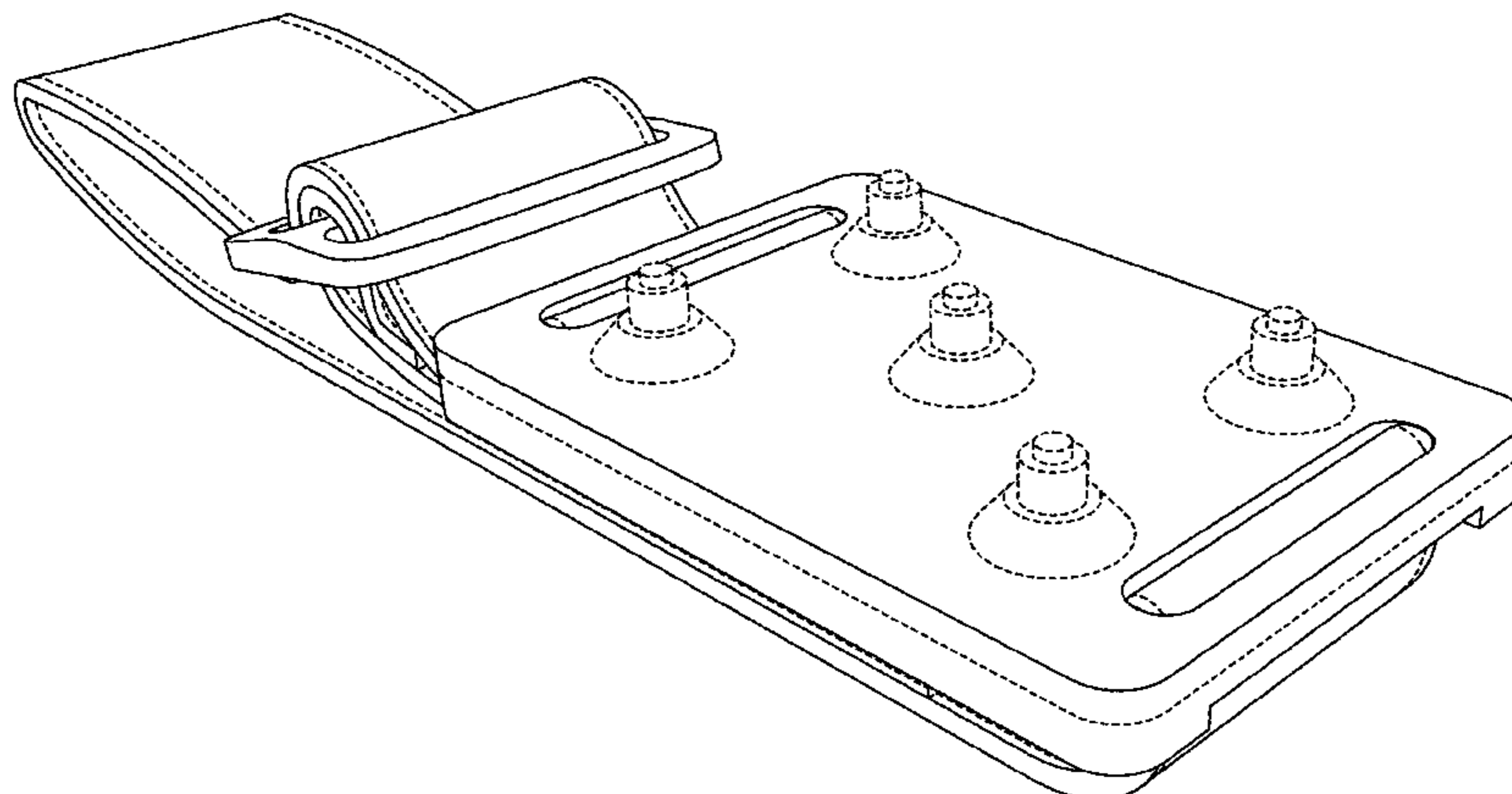
(57) **CLAIM**

The ornamental design for a mid-sole cleat, as shown and described.

**DESCRIPTION**

FIG. 1 is a perspective view of a mid-sole cleat;  
FIG. 2 is a top view thereof;  
FIG. 3 is a side view thereof;  
FIG. 4 is a bottom view thereof;  
FIG. 5 is a front view thereof; and  
FIG. 6 is a back view thereof.  
FIG. 7 is a perspective view of another embodiment of a mid-sole cleat;  
FIG. 8 is a top view thereof;  
FIG. 9 is a side view thereof;  
FIG. 10 is a bottom view thereof;  
FIG. 11 is a front view thereof; and,  
FIG. 12 is a back view thereof.

(Continued)



The dashed lines show portions of the mid-sole cleat that form no part of the embodiment in which they are shown.

**1 Claim, 6 Drawing Sheets**

(56)

**References Cited**

U.S. PATENT DOCUMENTS

2,179,178 A \* 11/1939 Farlin ..... A43C 15/065  
36/64  
2,208,200 A \* 7/1940 Sloan ..... A43C 15/065  
36/62  
2,296,660 A \* 9/1942 Bowman ..... A43C 15/063  
36/62  
2,313,316 A \* 3/1943 Block ..... A43C 15/065  
36/62  
2,366,649 A \* 1/1945 Priess ..... A43C 15/063  
36/62  
2,401,891 A \* 6/1946 Smith ..... A43C 15/065  
152/208

2,438,193 A \* 3/1948 Smith ..... A43C 15/02  
36/7.7  
2,636,175 A \* 4/1953 Hoffman, Jr. .... A41D 27/136  
2/323  
2,658,289 A \* 11/1953 Schrieber ..... A43C 15/063  
36/17 R  
3,691,659 A \* 9/1972 Nakajima ..... A43C 15/063  
36/7.6  
4,005,533 A \* 2/1977 Anderson ..... A43C 15/065  
36/62  
D262,157 S \* 12/1981 Kinchen ..... D2/962  
D336,559 S \* 6/1993 Carmichael ..... D2/962  
5,485,687 A \* 1/1996 Rohde ..... A43C 15/02  
36/59 R  
8,371,045 B2 \* 2/2013 Tambay ..... A43C 15/063  
36/113  
D790,172 S \* 6/2017 Hatfield ..... D2/947

OTHER PUBLICATIONS

K1 Midsole—Industrial Commercial model of innovative, new Ice Cleat, Jul. 27, 2016, [online], [site visited Sep. 7, 2017]. Retrieved from url:<https://www.youtube.com/watch?v=mmnrwnQYlaw>.\*

\* cited by examiner

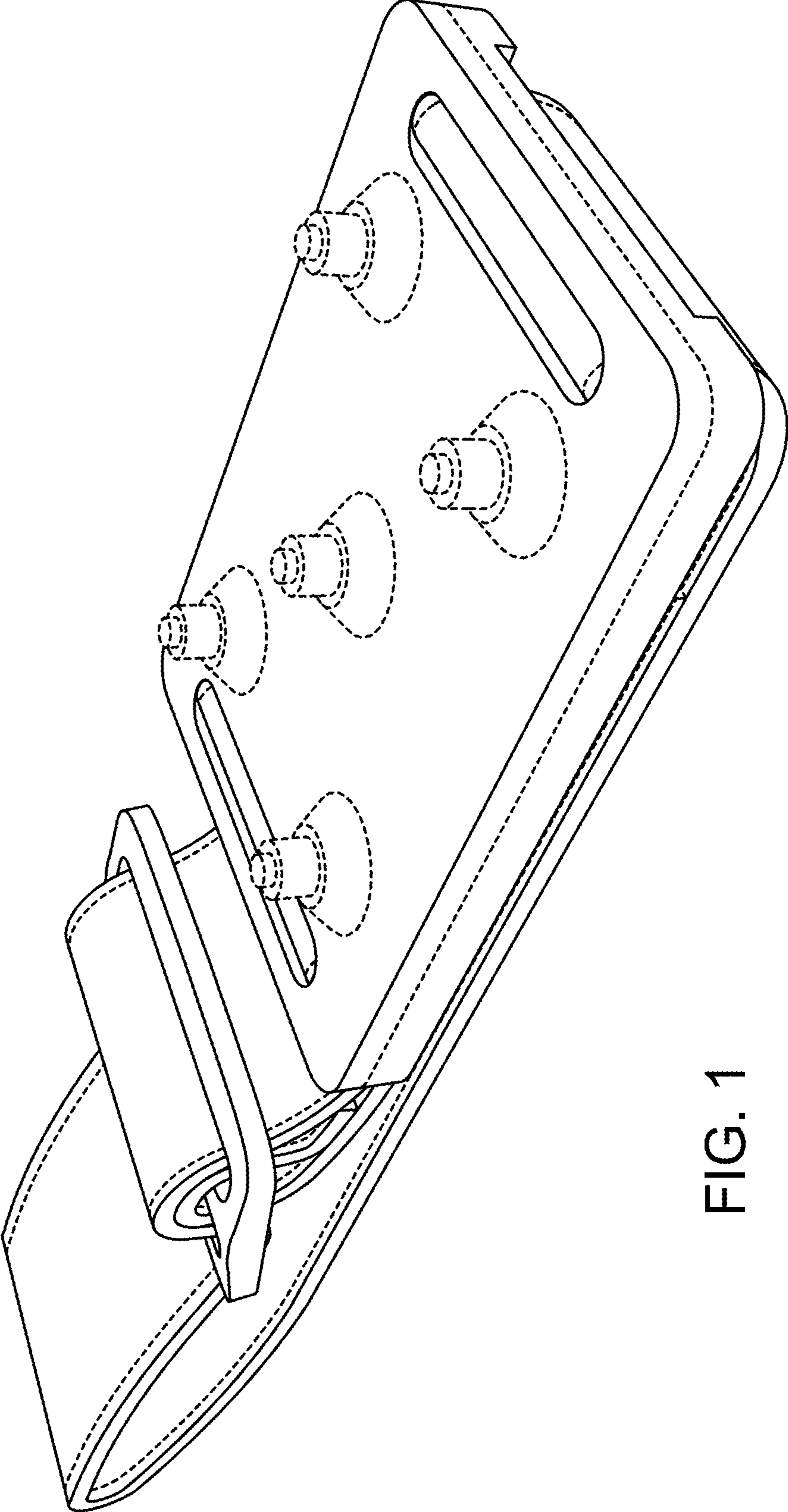


FIG. 1

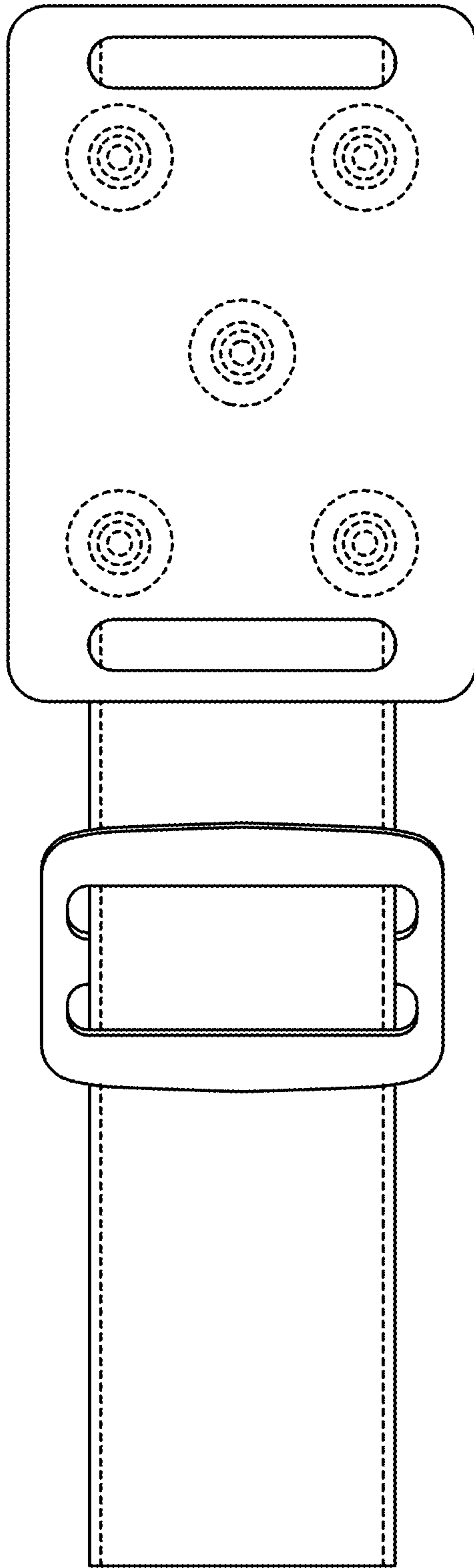


FIG. 2

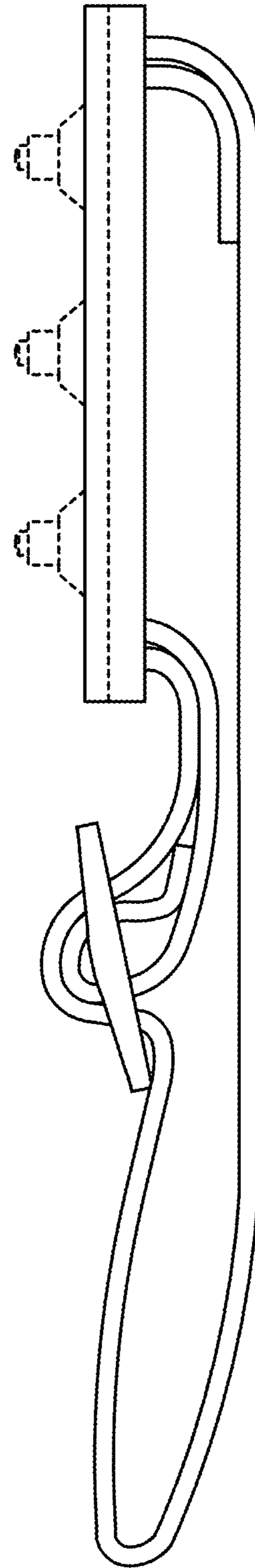


FIG. 3



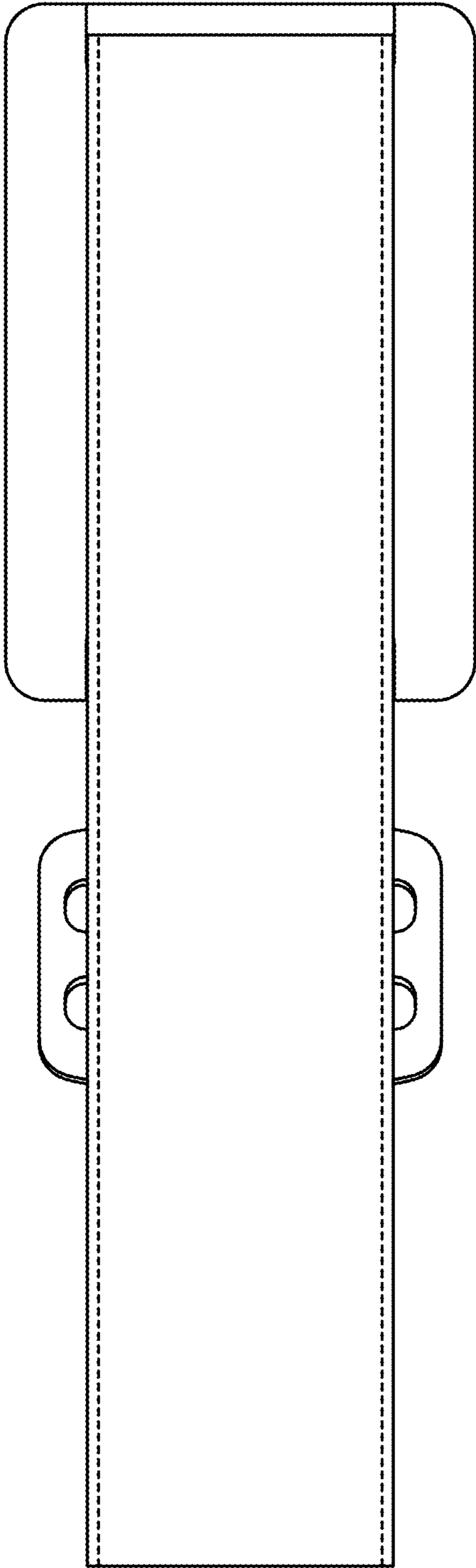


FIG. 4

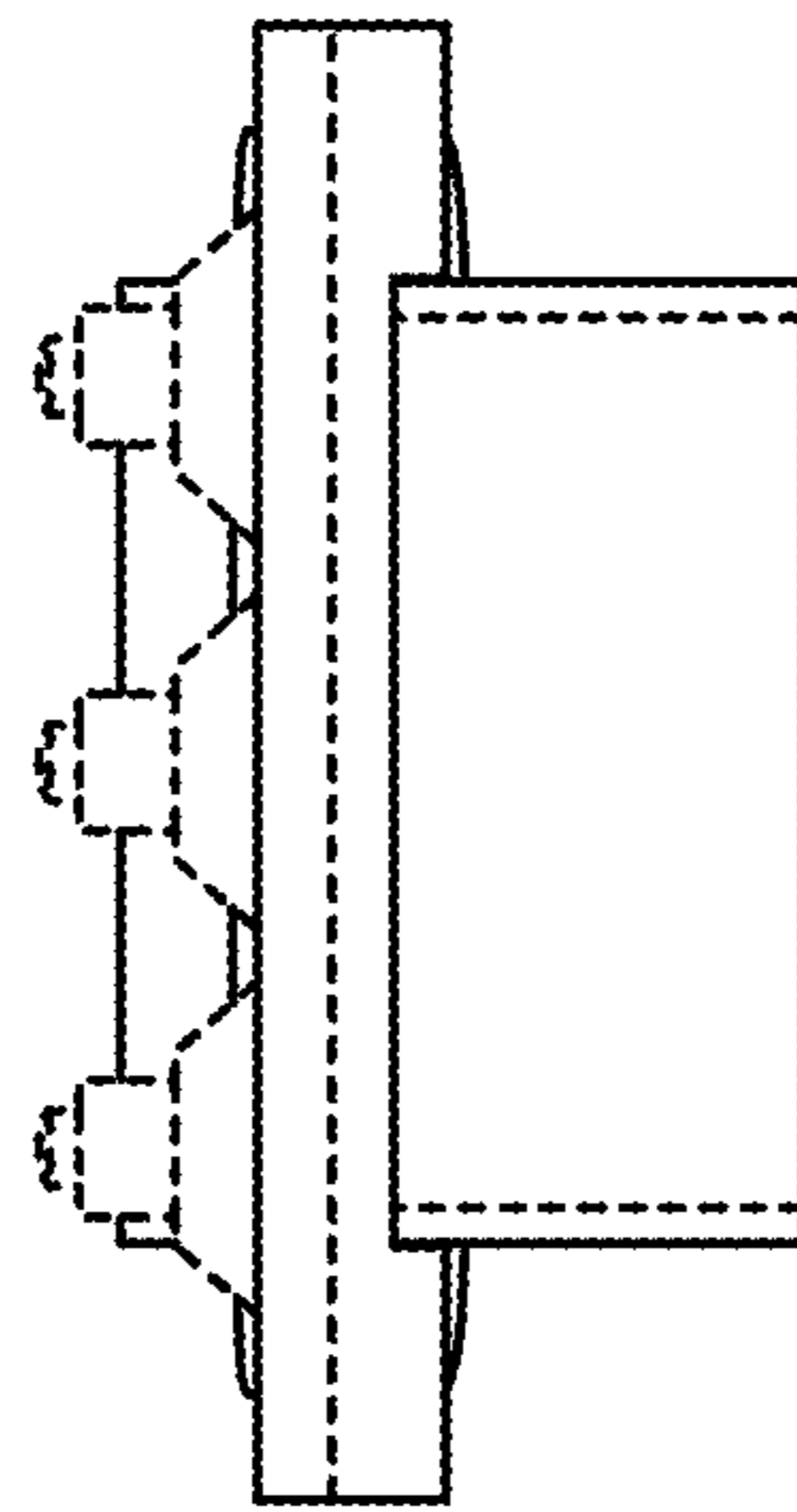


FIG. 5

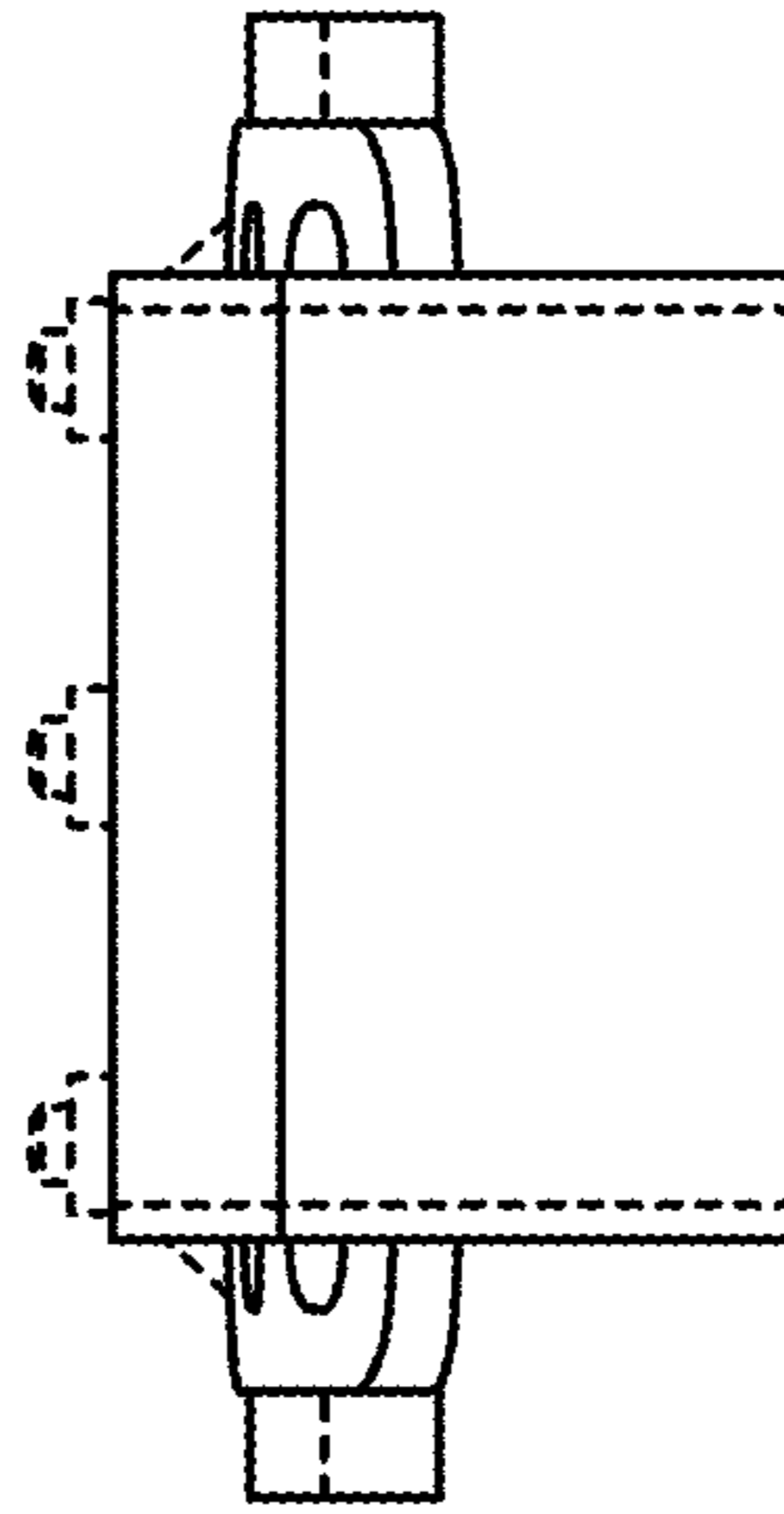


FIG. 6

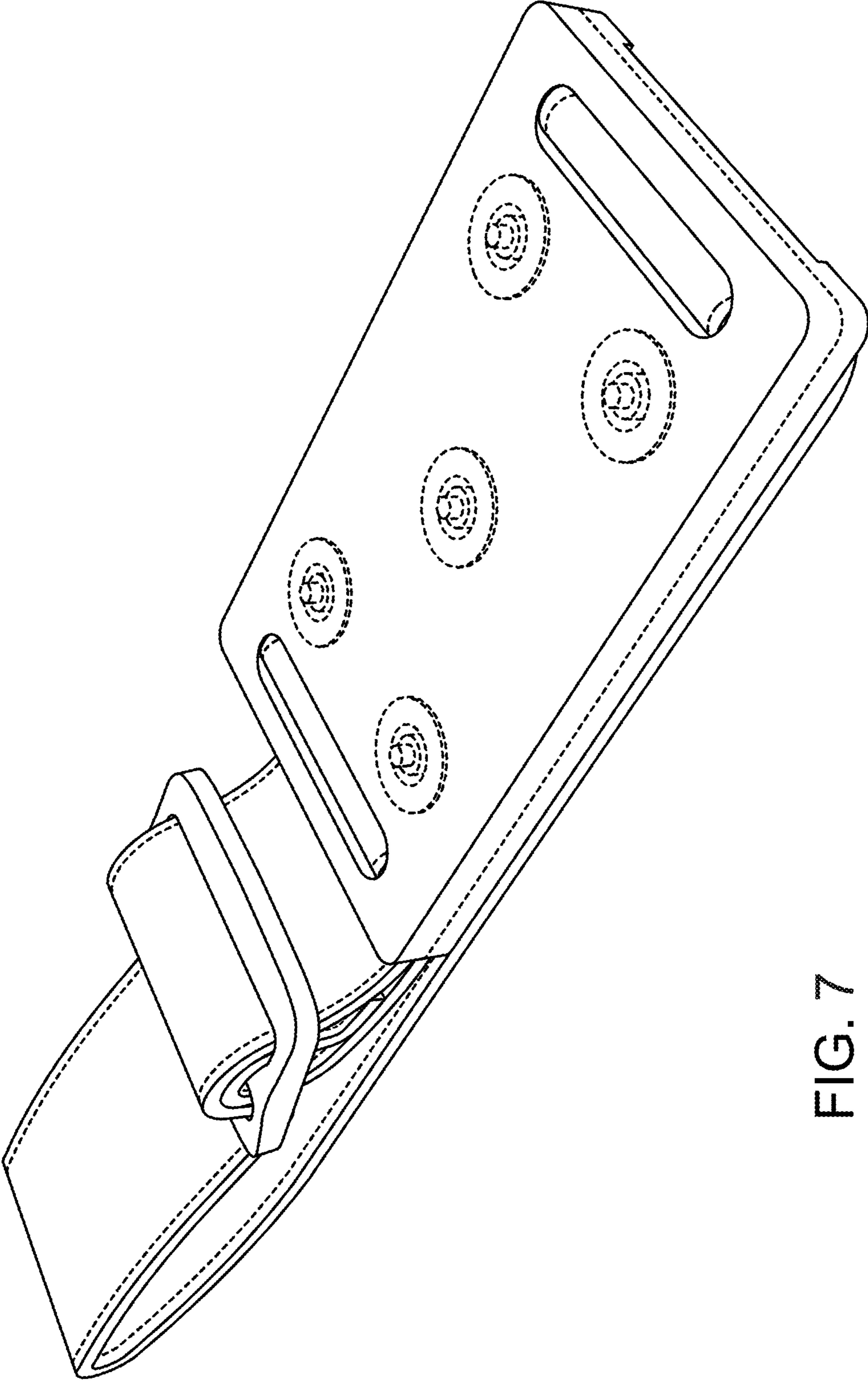


FIG. 7

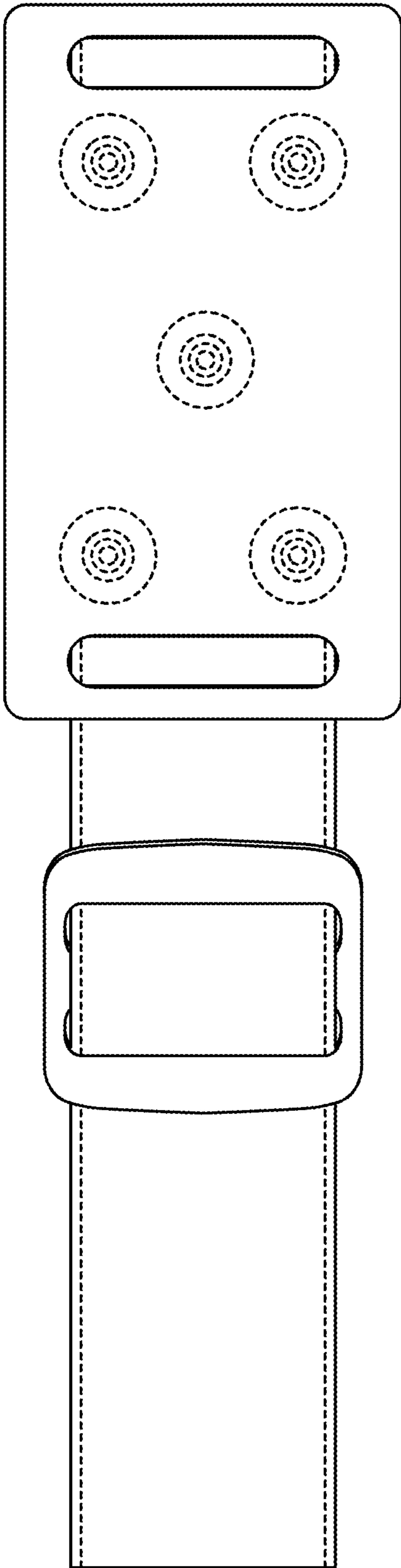


FIG. 8

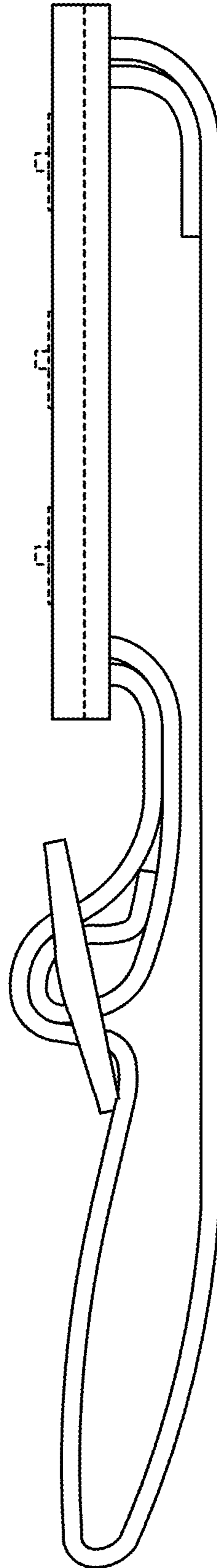


FIG. 9

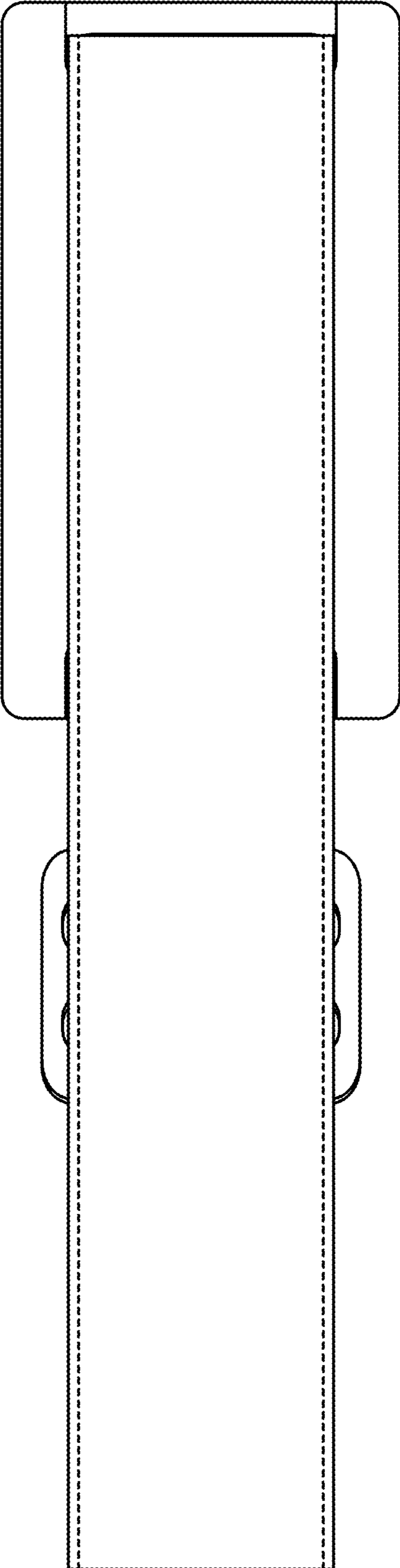


FIG. 10

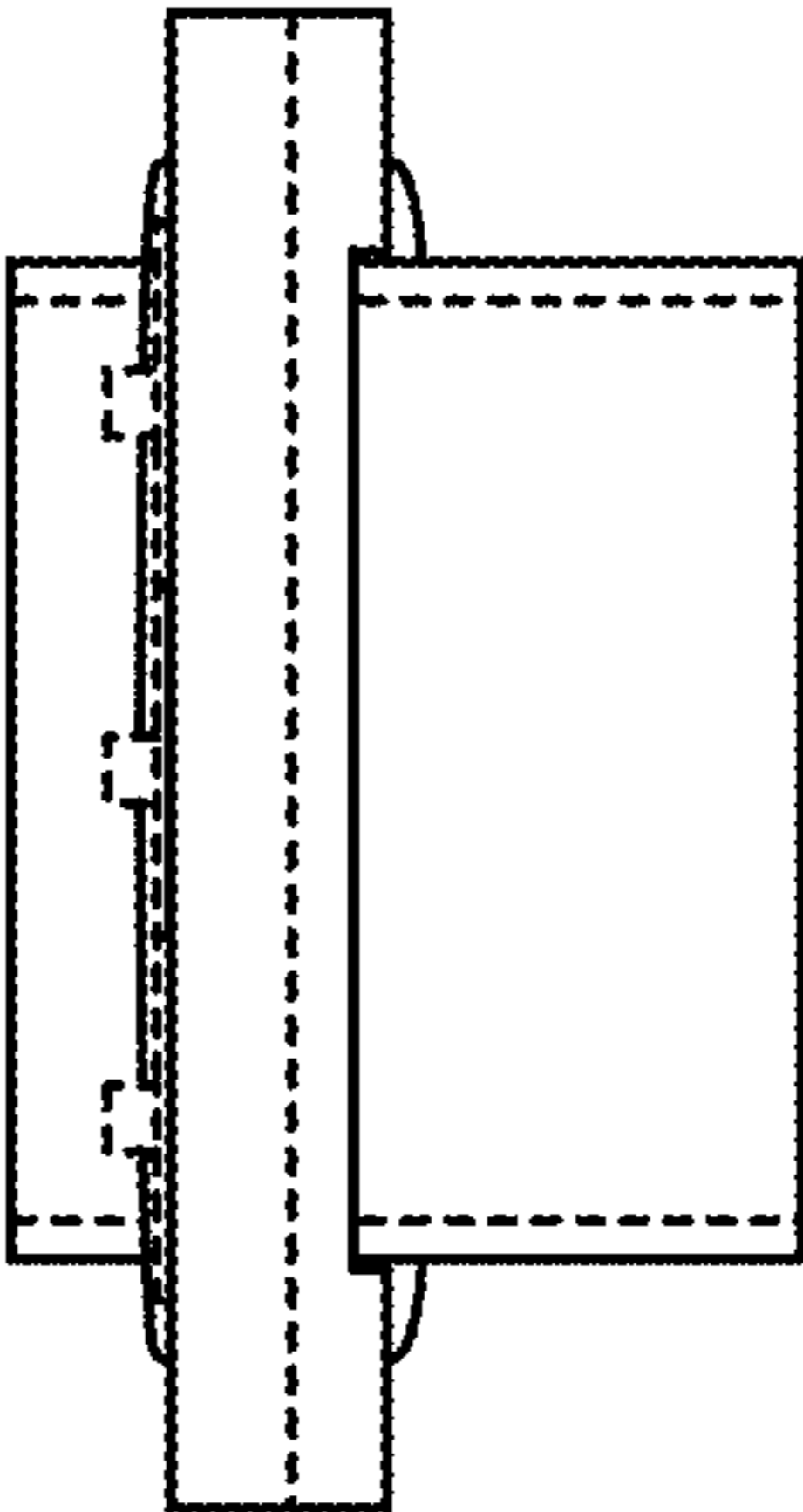


FIG. 12

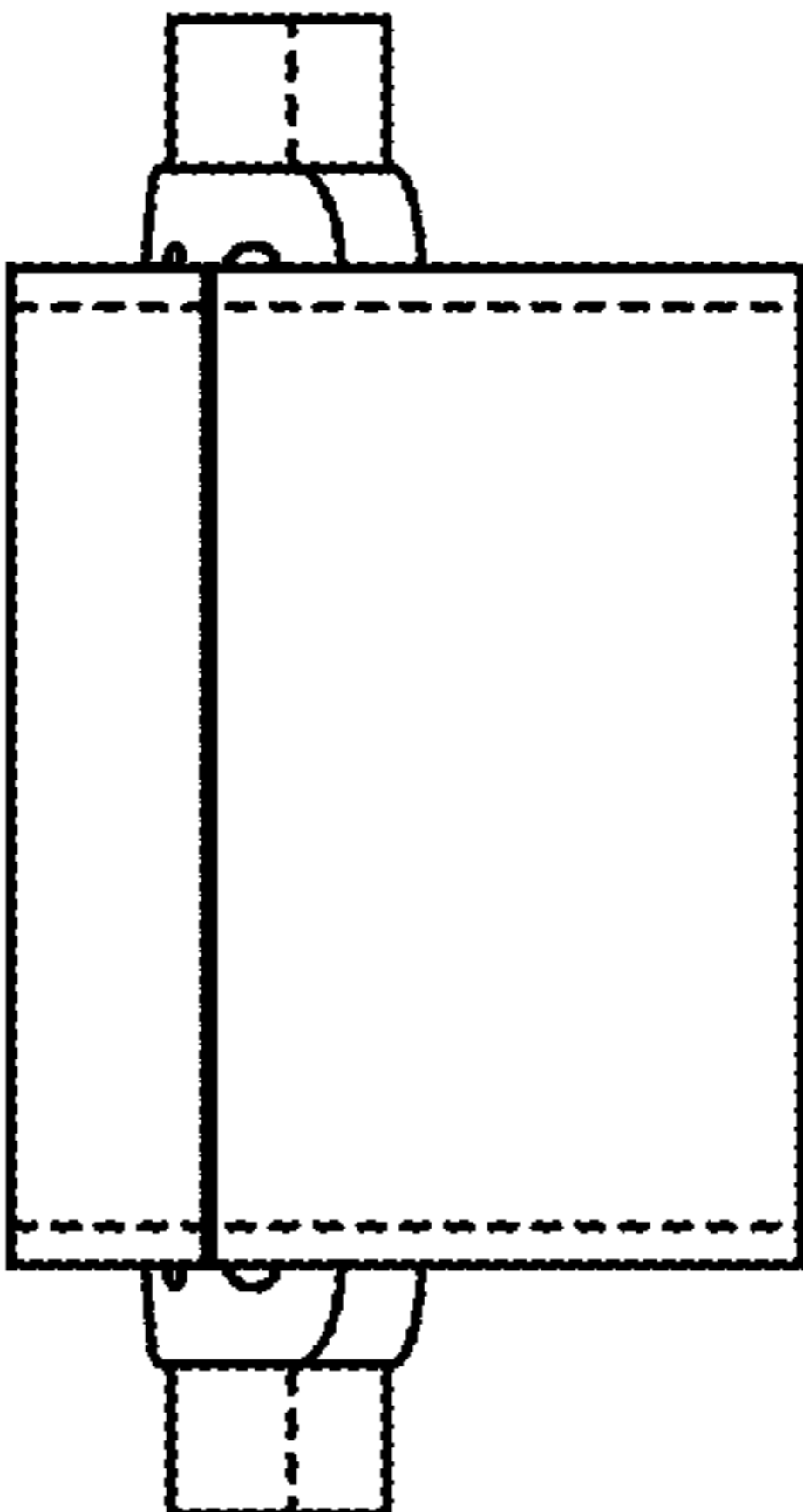


FIG. 11