



US00D806999S

(12) **United States Design Patent**  
**Donahue**

(10) **Patent No.:** **US D806,999 S**  
(45) **Date of Patent:** **\*\* Jan. 9, 2018**

- (54) **TOE SPACER WITH MAGNET CAP FOR DECORATIVE ITEMS**
- (71) Applicant: **Ono O. Donahue**, Fountain Hills, AZ (US)
- (72) Inventor: **Ono O. Donahue**, Fountain Hills, AZ (US)
- (\*\*) Term: **15 Years**
- (21) Appl. No.: **29/555,323**
- (22) Filed: **Feb. 20, 2016**
- (51) **LOC (11) Cl.** ..... **02-04**
- (52) **U.S. Cl.**  
USPC ..... **D2/946; D2/976**
- (58) **Field of Classification Search**  
USPC ..... D2/896, 916, 918, 943, 946, 976, 978;  
D11/1; D24/192; D28/57  
CPC ..... A43B 3/0078; A43B 1/0054; A43B 3/103;  
A43B 3/105; A42B 1/24; A61F 5/019;  
A61F 13/068  
See application file for complete search history.

(56) **References Cited**

**U.S. PATENT DOCUMENTS**

1,930,413	A *	10/1933	Bruel	.....	A61F 5/019 128/894
2,511,101	A *	6/1950	Clarke	.....	A61F 5/019 36/94
2,751,693	A	6/1956	Baker		
3,928,927	A	12/1975	Brown		
3,978,596	A	9/1976	Brown		
4,877,018	A *	10/1989	Ikebe	.....	A61F 5/019 128/893
5,379,179	A	1/1995	Graves		
5,746,500	A *	5/1998	Chien	.....	A43B 1/0036 36/137
6,151,801	A	11/2000	Frederiksen		
6,477,790	B2	11/2002	Boncutter		

6,508,016	B1	1/2003	Boncutter et al.		
6,516,538	B2	2/2003	Kraft		
6,766,598	B2	7/2004	Boncutter et al.		
D554,847	S *	11/2007	Schmelzer	.....	D2/946
D578,299	S *	10/2008	Dennis	.....	D2/946

(Continued)

*Primary Examiner* — Holly Baynham  
*Assistant Examiner* — Rashida C Walshon  
(74) *Attorney, Agent, or Firm* — Mark V. Loen

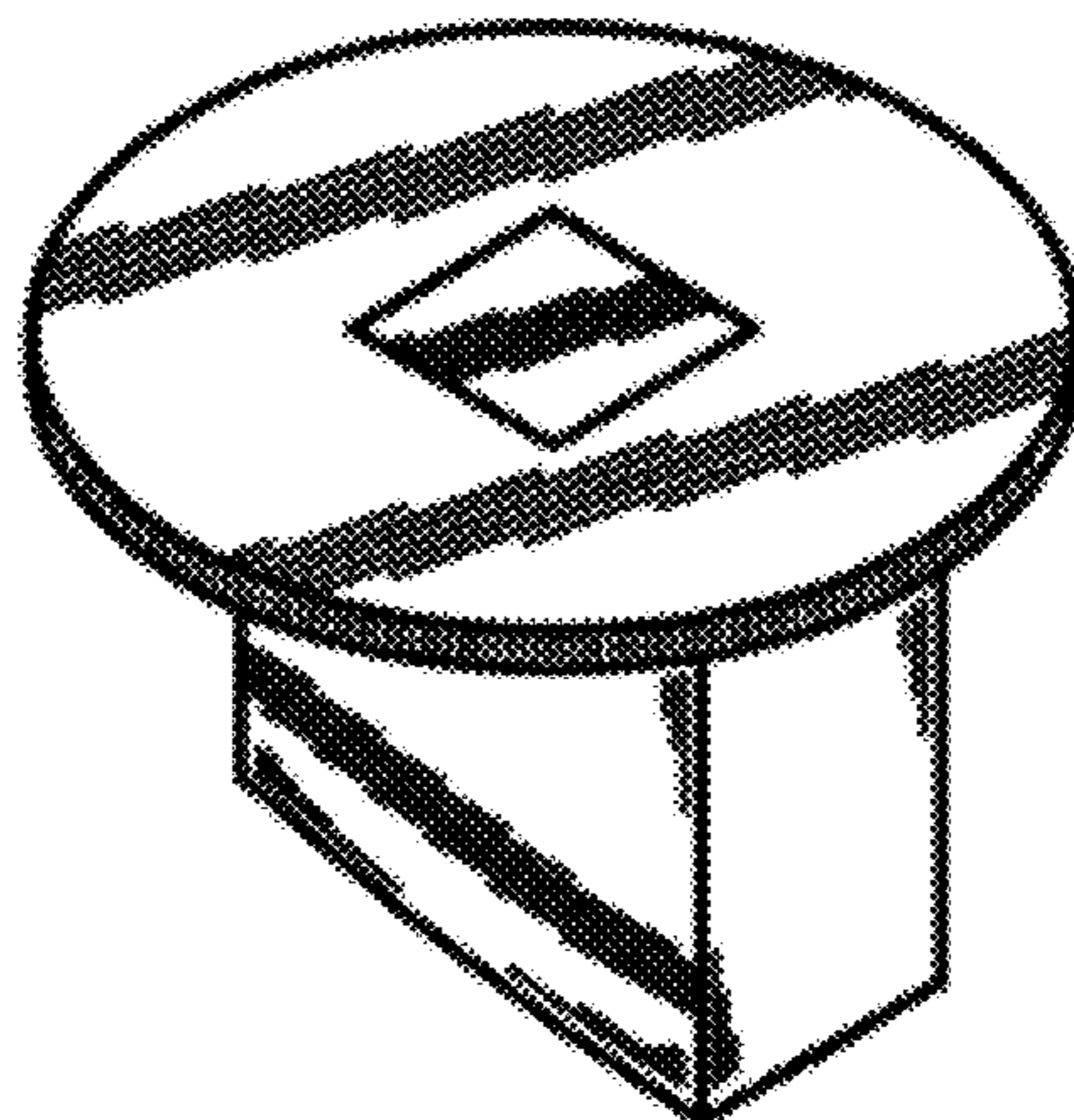
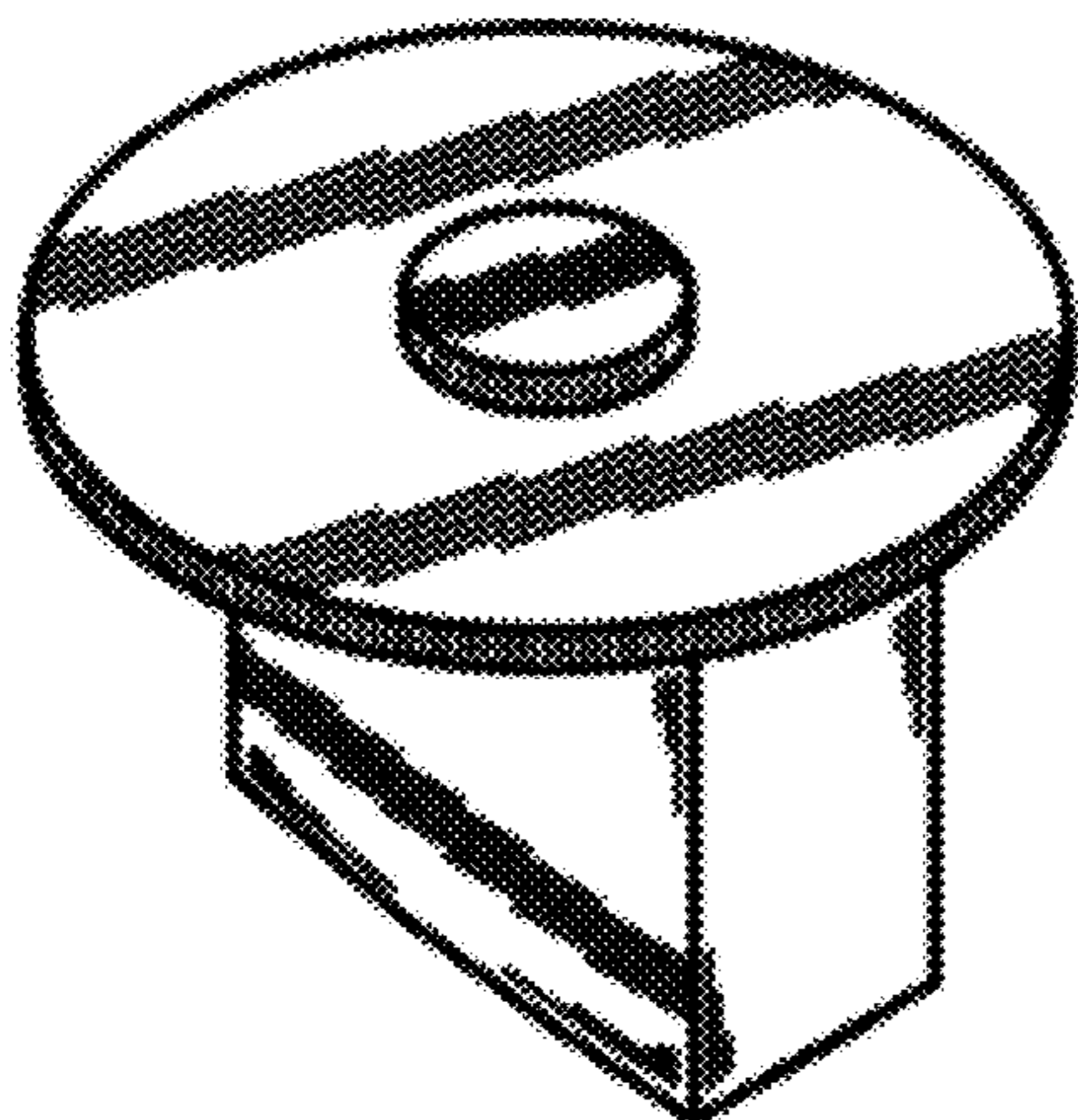
(57) **CLAIM**

The ornamental design for a toe spacer with magnet cap for decorative items, as shown and described.

**DESCRIPTION**

FIG. 1 is a top view of a toe spacer with magnet cap for decorative items;  
 FIG. 2 is a right side view of the toe spacer with magnet cap for decorative items;  
 FIG. 3 is a left side view of the toe spacer with magnet cap for decorative items;  
 FIG. 4 is a front view of the toe spacer with magnet cap for decorative items;  
 FIG. 5 is a back view of the toe spacer with magnet cap for decorative items;  
 FIG. 6 is a bottom view of the toe spacer with magnet cap for decorative items;  
 FIG. 7 is a perspective view of the toe spacer with magnet cap for decorative items;  
 FIG. 8 is another perspective view that is a 90-degree clockwise rotation of FIG. 7 about a vertical center axis;  
 FIGS. 9-11 show the toe spacer with magnet cap for decorative items in condition of use; and,  
 FIGS. 12 and 13 show alternate embodiments of the toe spacer with magnet cap.  
 The broken lines shown in FIGS. 9-11 are for purposes of illustrating environmental structure associated with the claimed design in condition of use, and which forms no part of the claimed design.

**1 Claim, 4 Drawing Sheets**



# US D806,999 S

Page 2

(56)

## References Cited

### U.S. PATENT DOCUMENTS

D604,940	S *	12/2009	Collier	.....	D2/976	2004/0211089	A1	10/2004	Boncutter et al.
7,735,243	B1	6/2010	Gilkey			2006/0026862	A1	2/2006	Cagner
D631,242	S *	1/2011	Sirdofsky	.....	D2/976	2006/0265901	A1	11/2006	Boncutter
7,951,103	B2 *	5/2011	Millet	.....	A61F 13/068	2007/0017121	A1	1/2007	Boncutter et al.
					36/94	2008/0060110	A1 *	3/2008	Schmelzer ..... A42B 1/24
7,980,005	B1	7/2011	Young						2/69
D643,766	S *	8/2011	Siedler	.....	D11/1	2008/0086825	A1	4/2008	Mullen
8,069,538	B2 *	12/2011	Wilcox	.....	A43B 3/0078	2008/0301977	A1	12/2008	Roberts
					119/858	2009/0211113	A1	8/2009	Boncutter et al.
8,806,781	B2	8/2014	Sabounjian			2010/0024247	A1	2/2010	Feeney
8,806,783	B2 *	8/2014	Chase	.....	A43B 1/0054	2010/0170027	A1	7/2010	Steel
					36/11.5	2010/0251569	A1	10/2010	Stern
9,155,350	B2 *	10/2015	Chapin	.....	A43B 3/0078	2011/0035962	A1	2/2011	Sabounjian
9,204,688	B2 *	12/2015	Hazarian	.....	A43B 3/105	2011/0277345	A1	11/2011	Luiz
9,380,836	B1 *	7/2016	Vigil	.....	A43B 3/103	2012/0079738	A1	4/2012	Eileen
2002/0092200	A1	7/2002	Boncutter et al.			2012/0279083	A1	11/2012	Maselko
2002/0116840	A1	8/2002	Kraft			2013/0247419	A1	9/2013	Stewart
2002/0121030	A1 *	9/2002	Coleman	.....	A43B 3/105	2013/0276331	A1	10/2013	Steel
					36/11.5	2014/0001374	A1	1/2014	Ullman
2003/0088998	A1	5/2003	Boncutter et al.			2014/0202030	A1	7/2014	Cheng
2004/0168346	A1	9/2004	Boncutter et al.			2014/0305002	A1	10/2014	Murietta
						2015/0068059	A1	3/2015	Kinchington et al.
						2015/0071978	A1	3/2015	Chang

\* cited by examiner

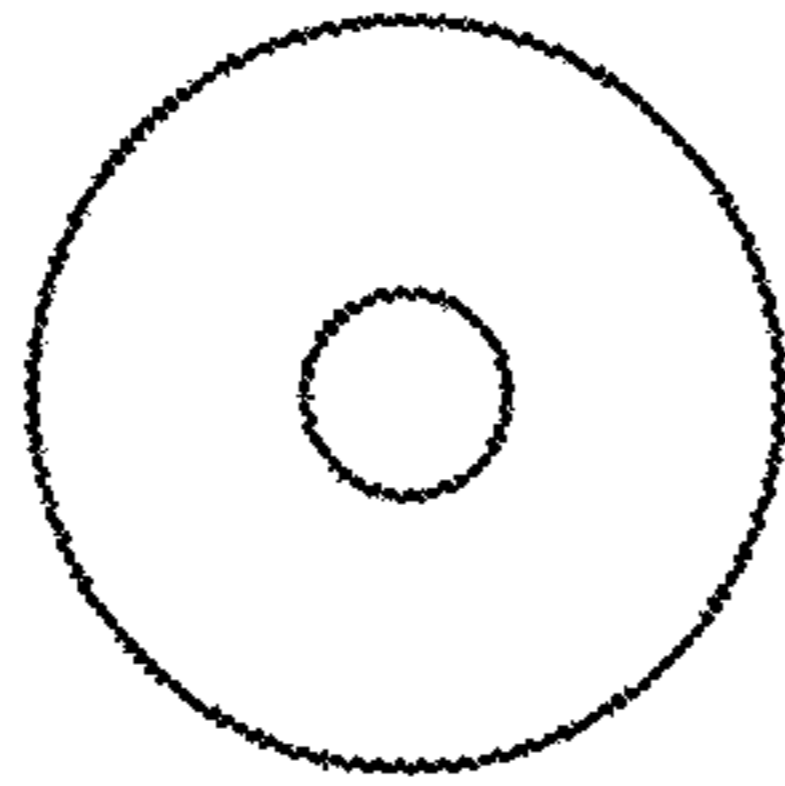


FIG. 1

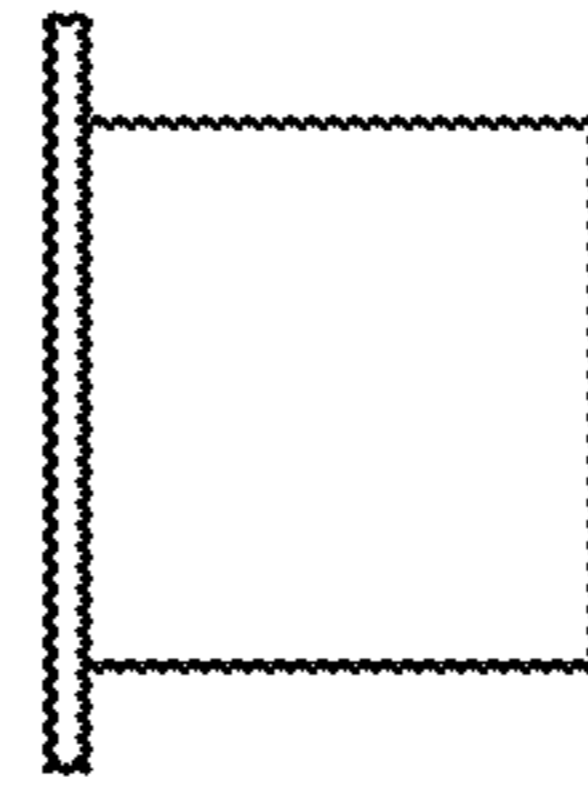


FIG. 2

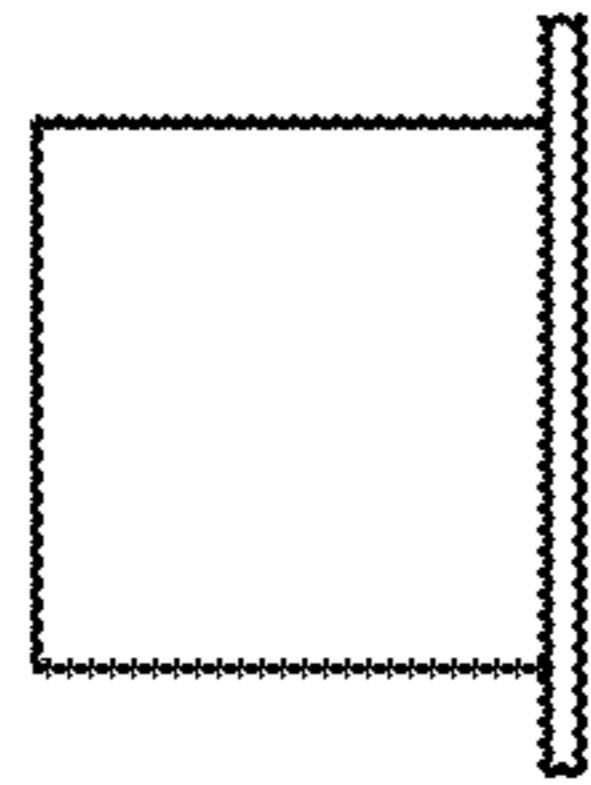


FIG. 3

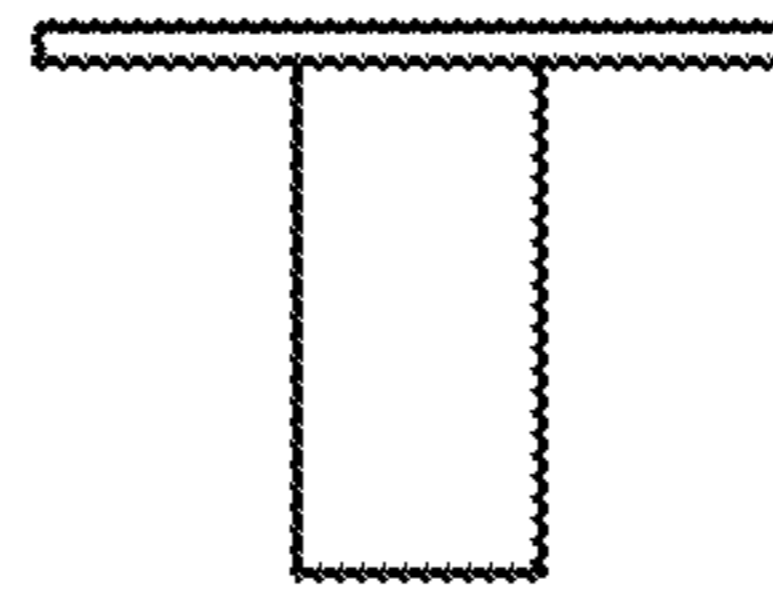


FIG. 4

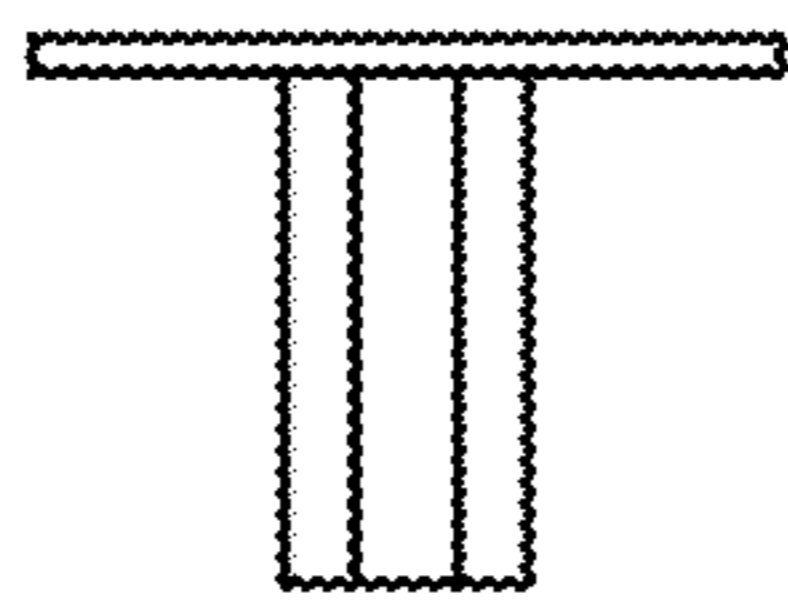


FIG. 5

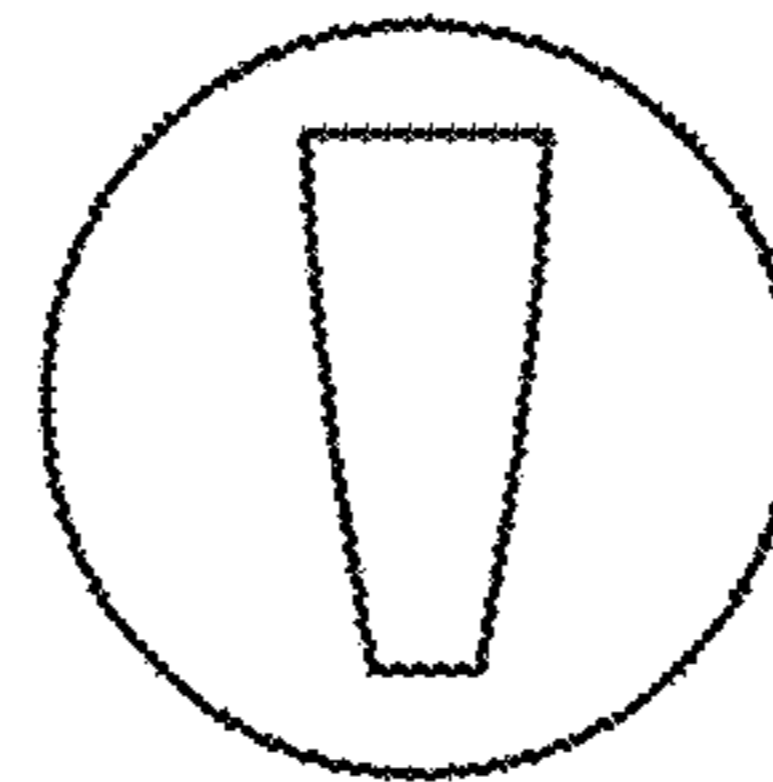


FIG. 6

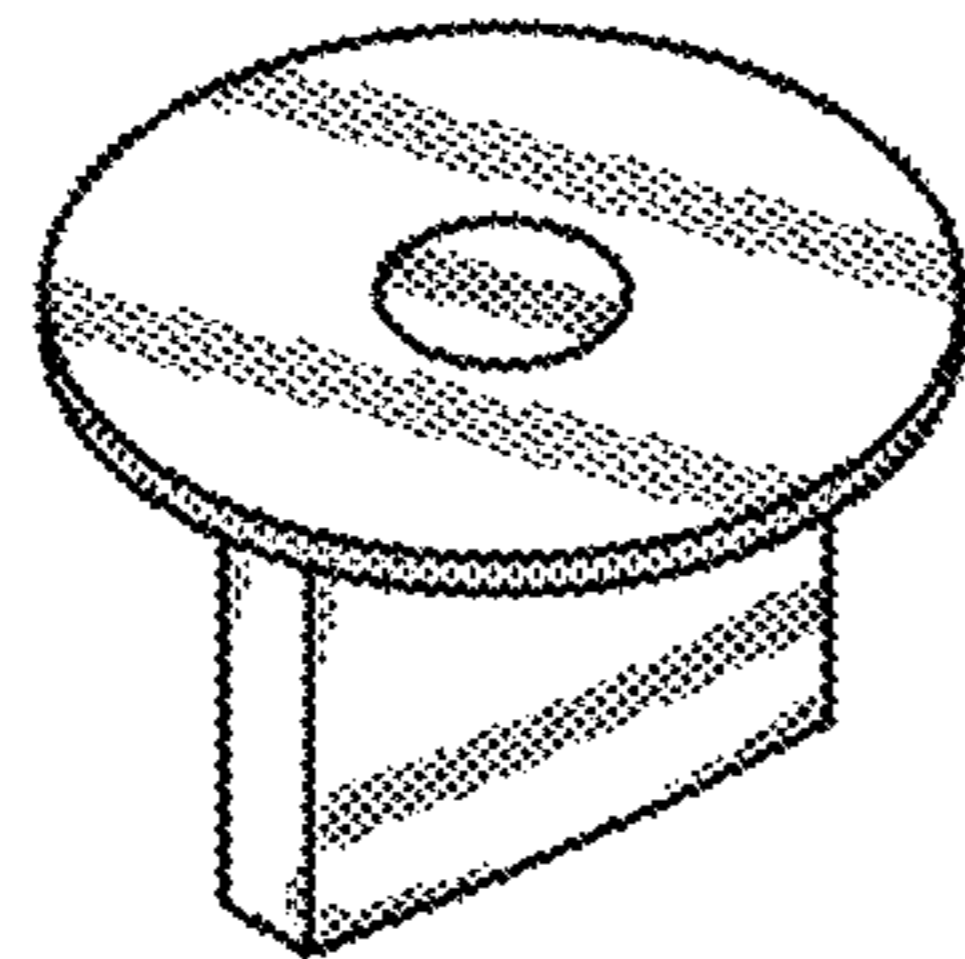


FIG. 7

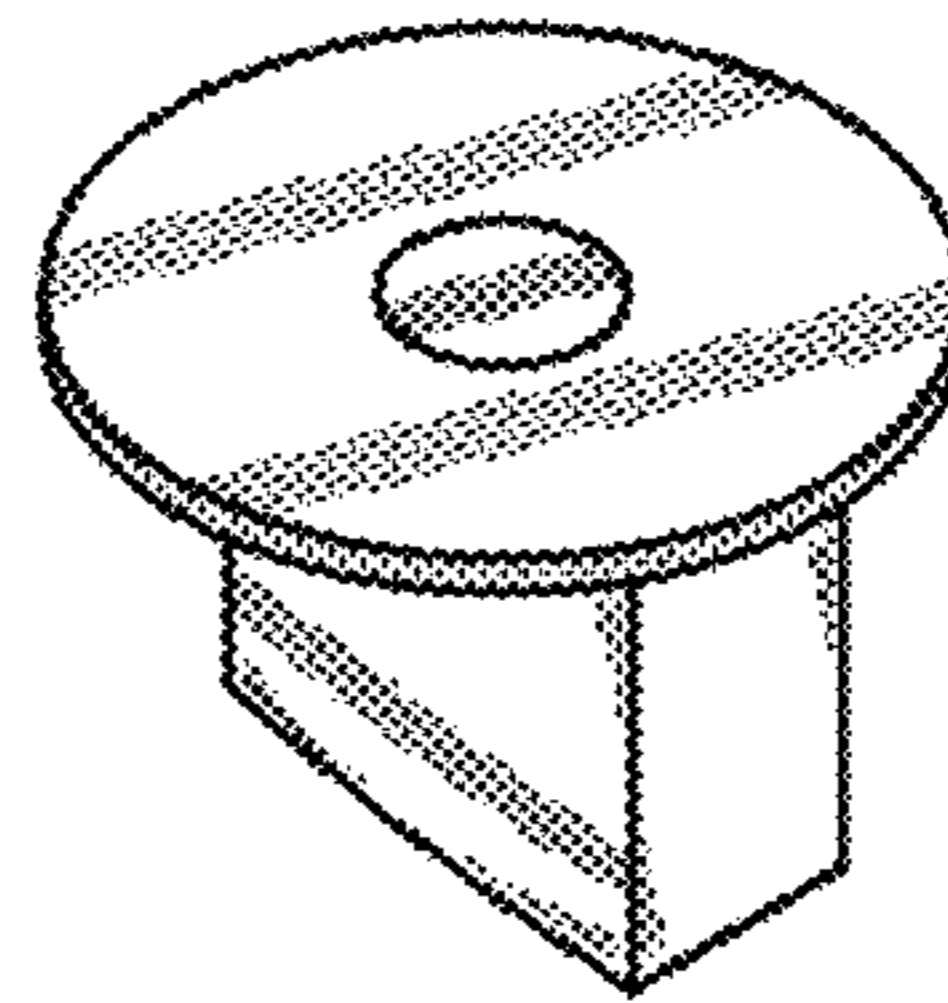


FIG. 8

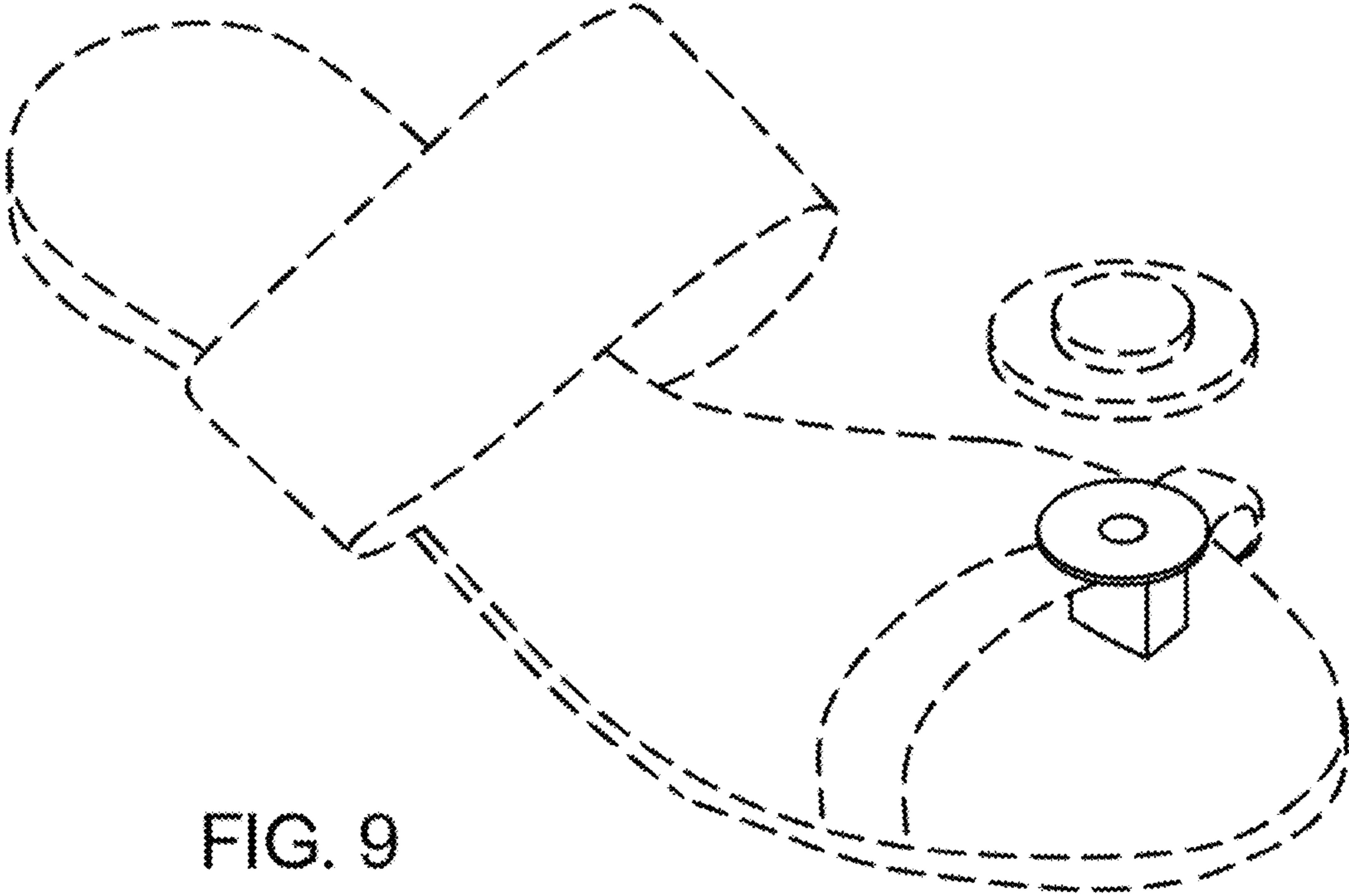


FIG. 9

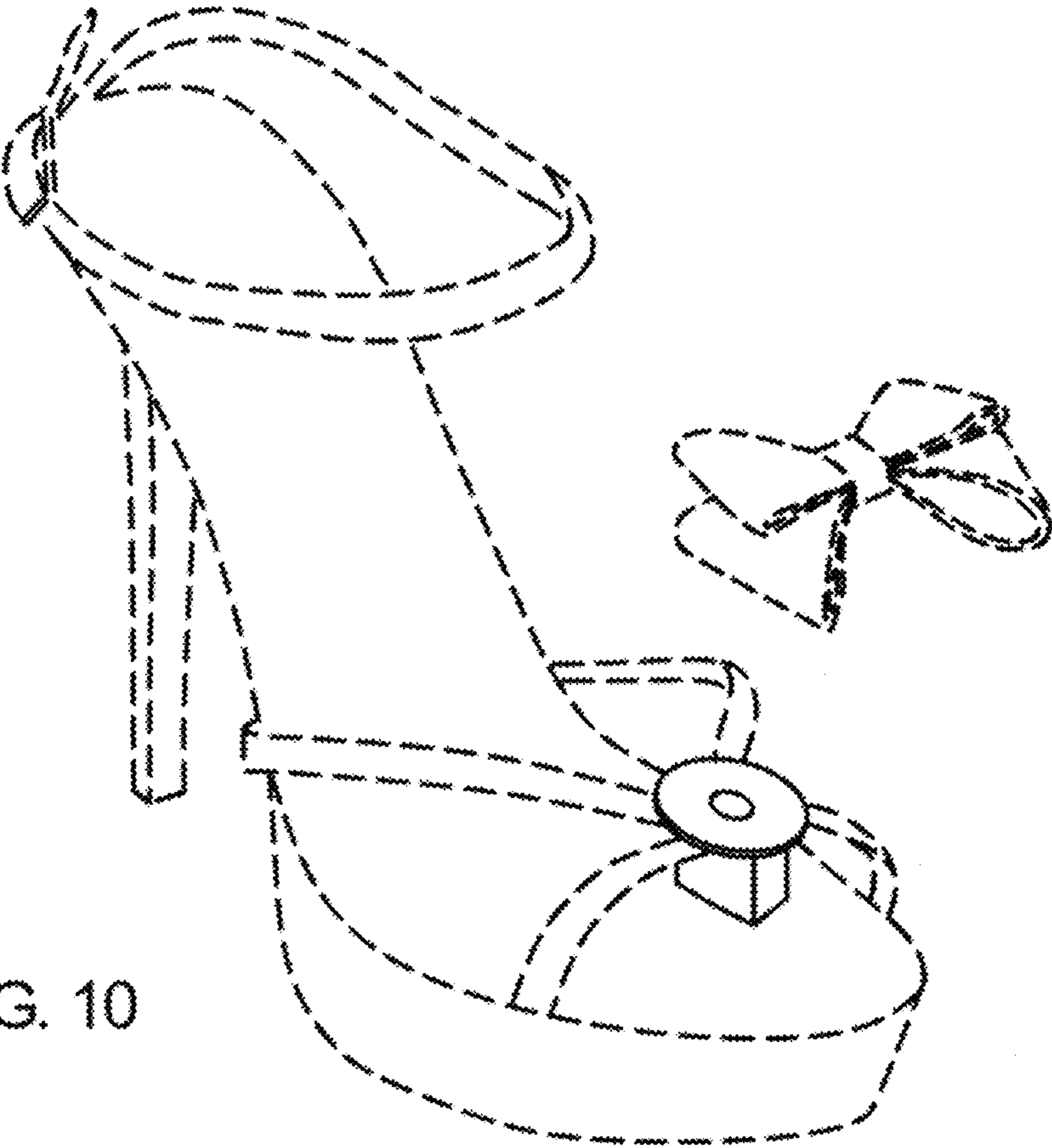


FIG. 10

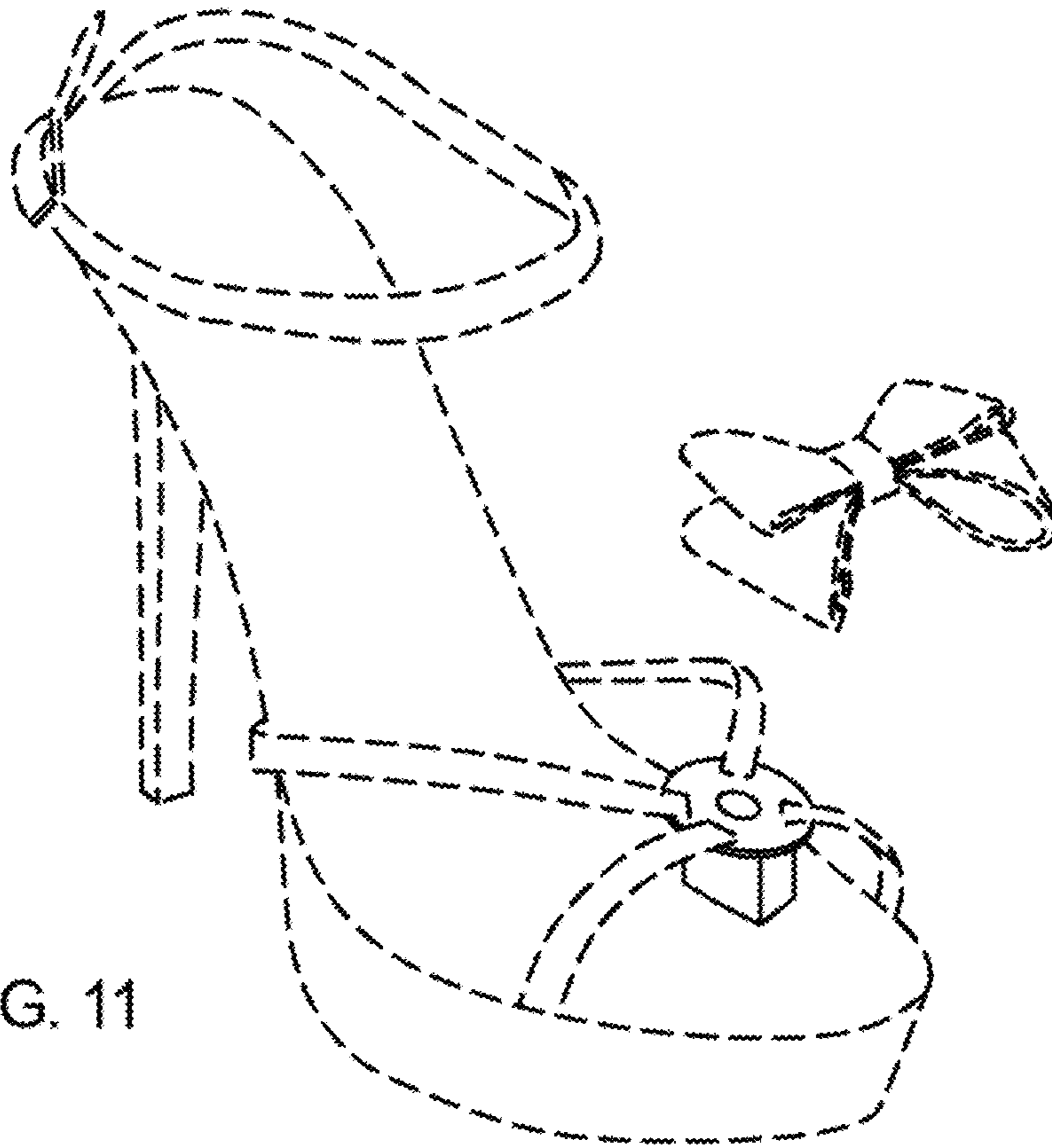


FIG. 11

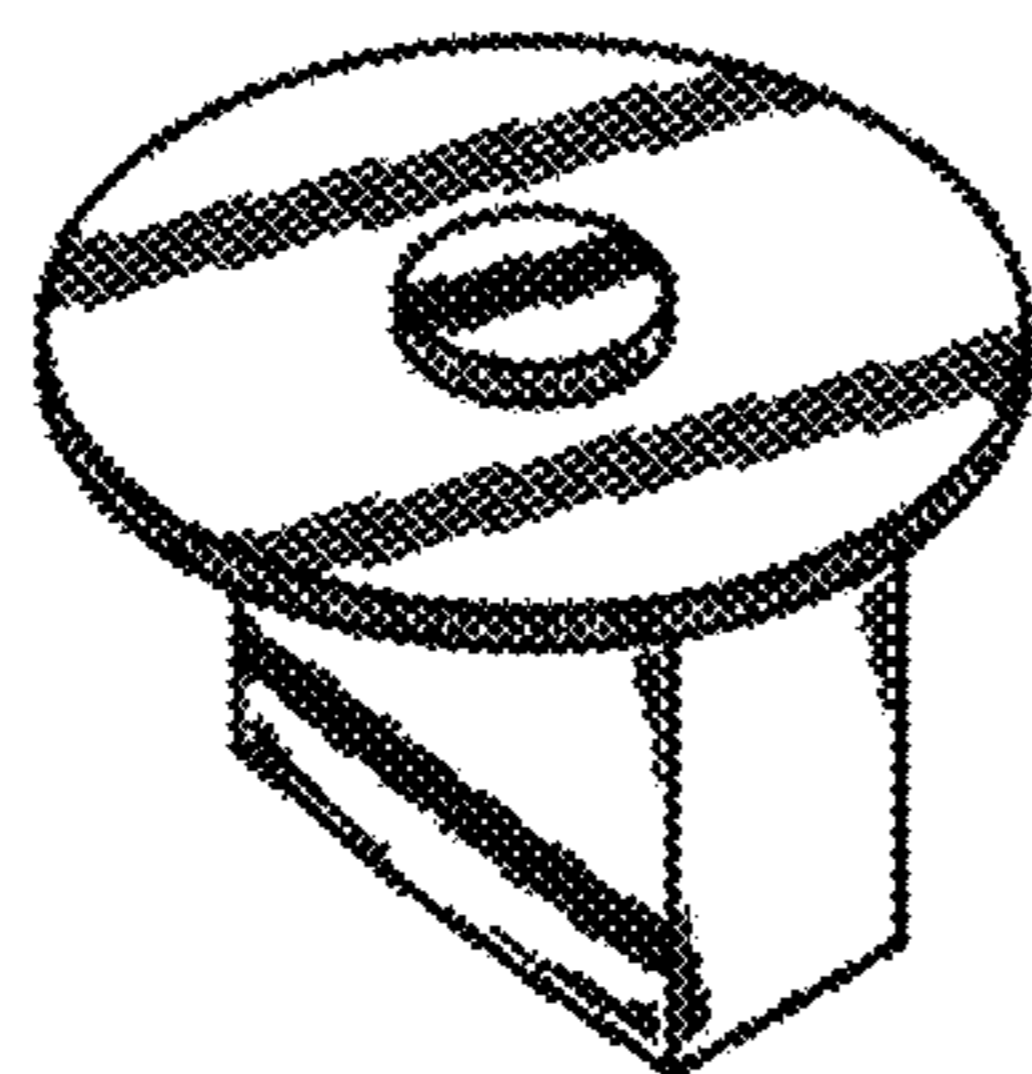


FIG. 12

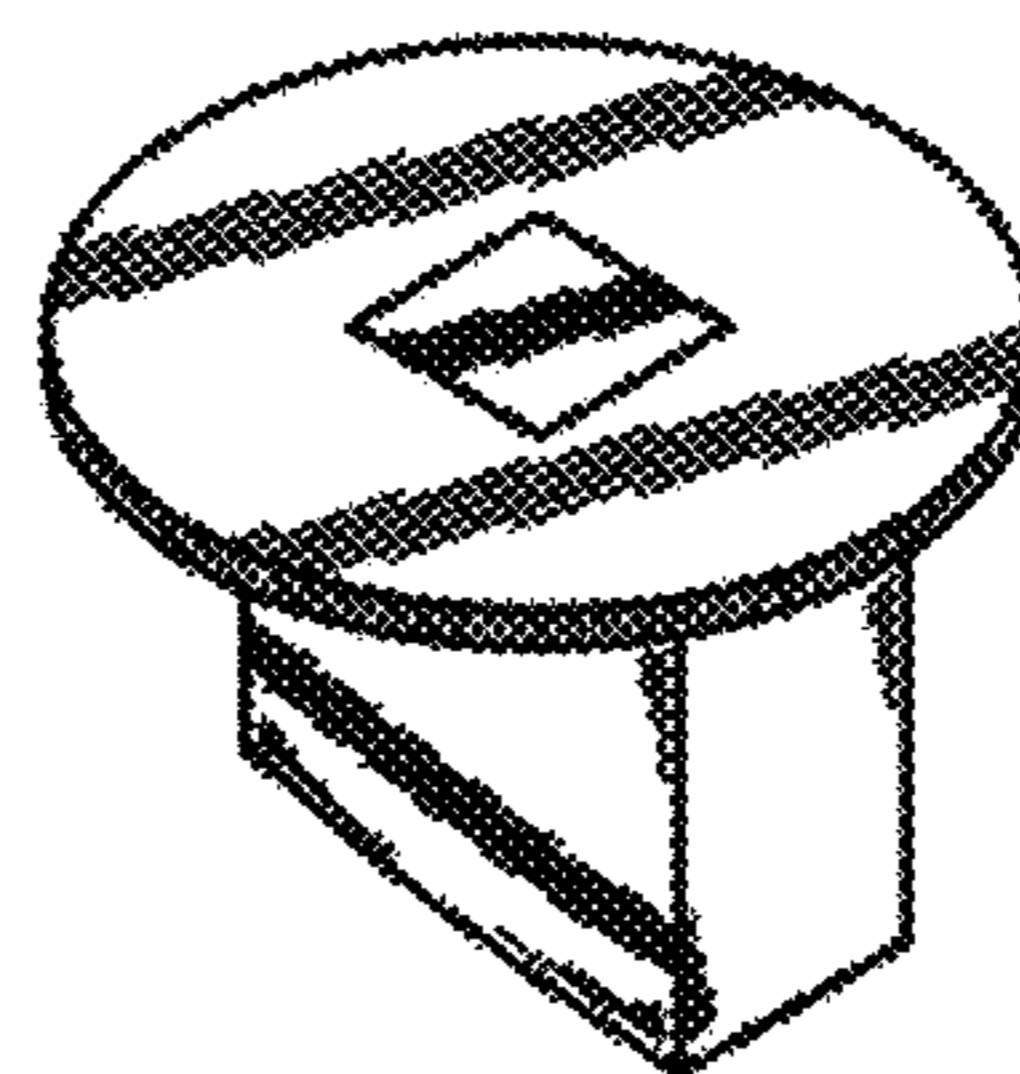


FIG. 13