



US00D806993S

(12) **United States Design Patent** (10) **Patent No.:** **US D806,993 S**
Alonso (45) **Date of Patent:** **** Jan. 9, 2018**

(54) **NOVELTY SPORTS HEADWEAR**
(71) Applicant: **Mario F. Alonso**, Santa Maria, CA (US)
(72) Inventor: **Mario F. Alonso**, Santa Maria, CA (US)
(**) Term: **15 Years**
(21) Appl. No.: **29/534,932**
(22) Filed: **Aug. 1, 2015**
(51) **LOC (11) Cl.** **02-03**
(52) **U.S. Cl.**
USPC **D2/876**
(58) **Field of Classification Search**
USPC D2/865, 866, 869, 870, 871, 872, 873, D2/874, 875, 876, 877, 882, 892
CPC .. A42B 1/00; A42B 1/004; A42B 1/06; A42B 1/067; A42B 1/08; A42B 1/208; A42B 1/22; A42B 1/24; A61F 9/04; A61F 9/045
See application file for complete search history.

D196,166 S * 9/1963 Ellis D2/876
D226,598 S * 4/1973 Yeeda 2/209.7
D250,676 S * 1/1979 McKinsey, Jr. D2/876
D297,065 S * 8/1988 Ross D2/876
D319,137 S * 8/1991 Thomas D2/876
D370,309 S * 5/1996 Stucky D29/102
7,036,156 B2 * 5/2006 Lahman A42B 1/08
2/181
8,108,944 B1 * 2/2012 Gilson, Sr. A42B 1/067
2/12
8,794,242 B1 * 8/2014 Kroening A61F 9/04
128/857
2007/0226879 A1 * 10/2007 Plastino A42B 3/281
2/410

* cited by examiner

Primary Examiner — Karen E Eldridge Powers
Assistant Examiner — Jasmine Mlinarcik
(74) *Attorney, Agent, or Firm* — Sandy Lipkin

(57) **CLAIM**

The ornamental design for a novelty sports headwear, as shown and described.

DESCRIPTION

FIG. 1 is a rear perspective view of a novelty sports headwear;
FIG. 2 is a front side perspective view thereof;
FIG. 3 is a right side elevation view thereof;
FIG. 4 is a left side elevation view thereof;
FIG. 5 is a front elevation view thereof;
FIG. 6 is a rear elevation view thereof;
FIG. 7 is a top plan view thereof; and,
FIG. 8 is a bottom plan view.
The broken lines showing the human face and the “logo” insignia illustrate environmental matter that form no part of the claimed design. The rectangular forms outlined by broken lines in FIGS. 1 and 6 represent stitching that forms part of the claimed design.

1 Claim, 5 Drawing Sheets

(56) **References Cited**

U.S. PATENT DOCUMENTS

486,348 A * 11/1892 Mattson A42B 1/12
2/174
D68,685 S * 11/1925 Weinrott et al. 2/12
D70,993 S * 8/1926 Sutton D2/876
1,599,096 A * 9/1926 Marks A61F 9/045
2/12
1,631,210 A * 6/1927 Johnson A42B 1/208
2/12
D75,297 S * 5/1928 Sutton D2/876
D77,666 S * 2/1929 Bender D2/876
D78,349 S * 4/1929 Gallup D2/871
D86,343 S * 2/1932 Yourek D2/871
D92,566 S * 6/1934 Abraham D2/875
D108,257 S * 2/1938 Barber D2/875
D110,939 S * 8/1938 Finkelstein D2/875
D155,444 S * 10/1949 Noped D2/876

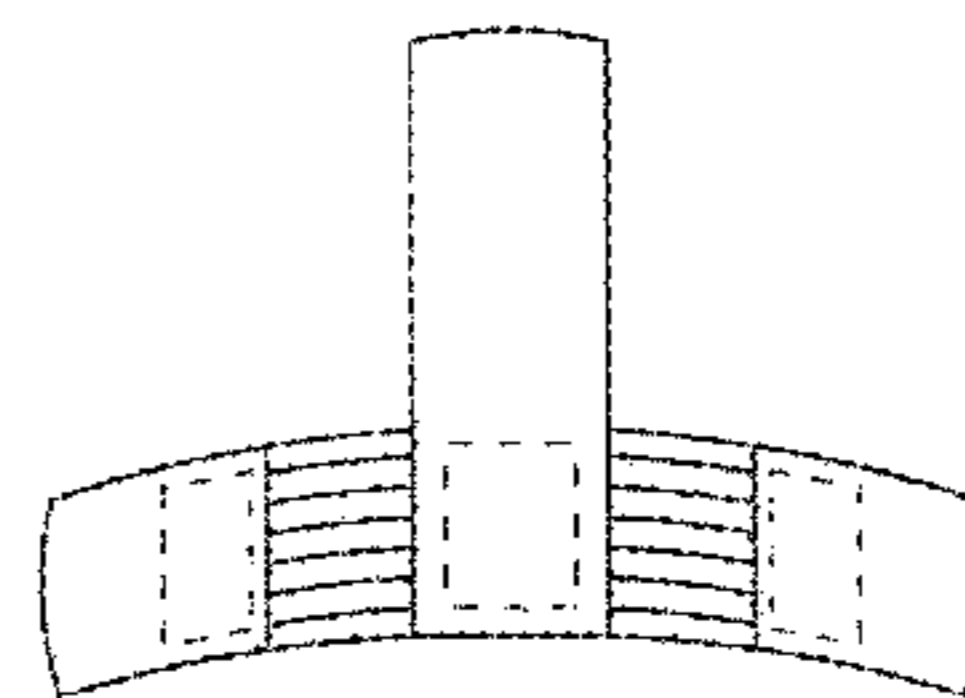
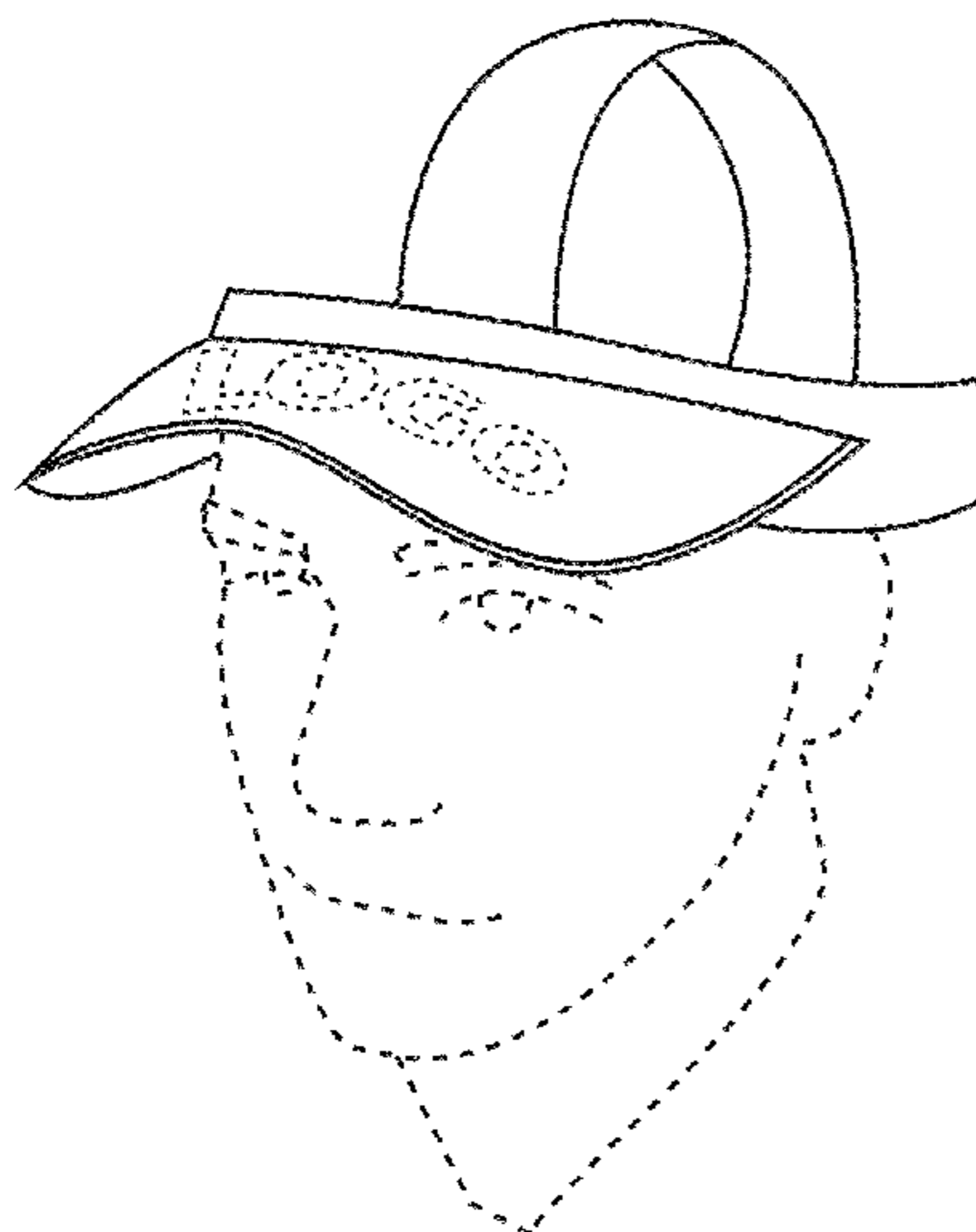


FIG. 1

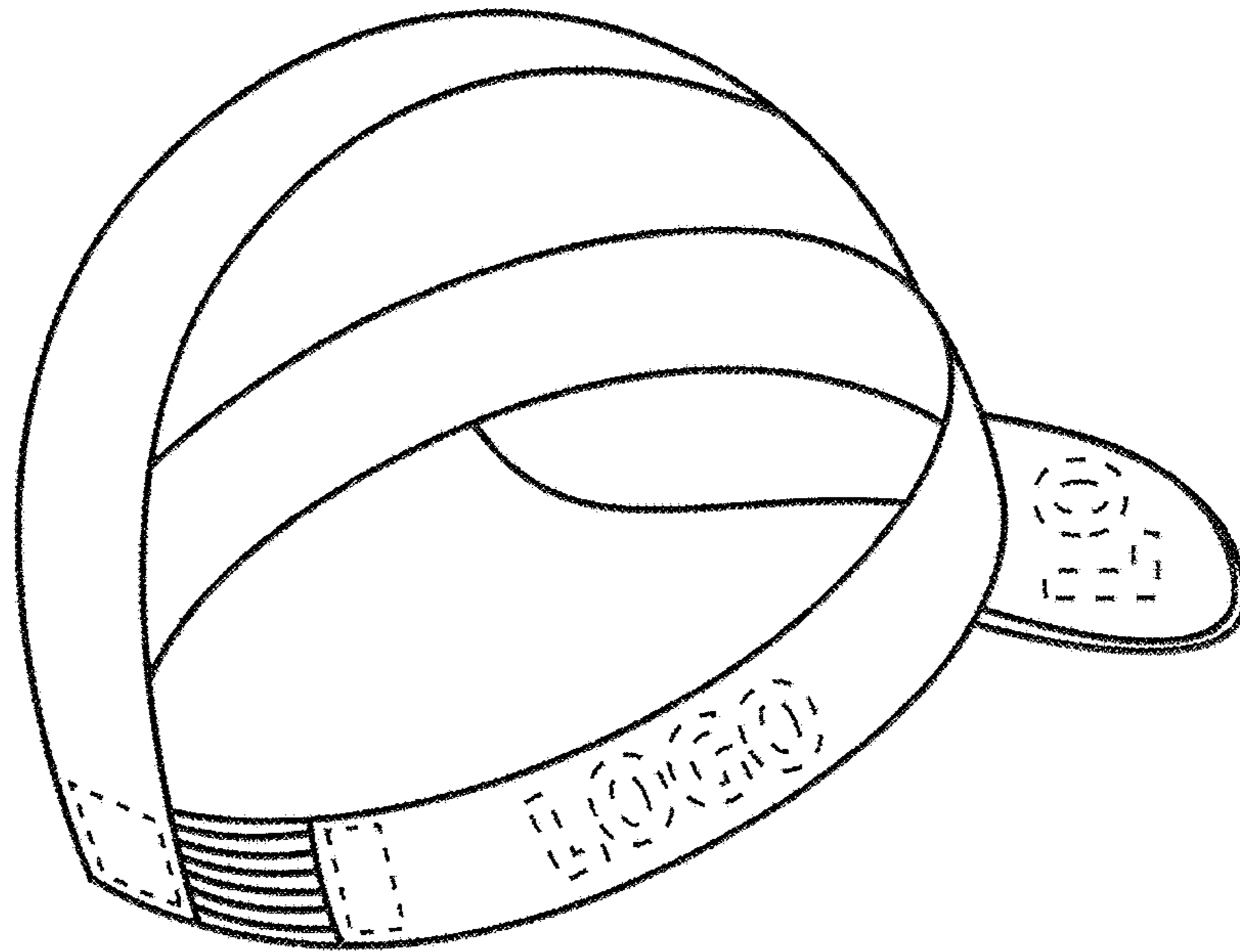


FIG. 2

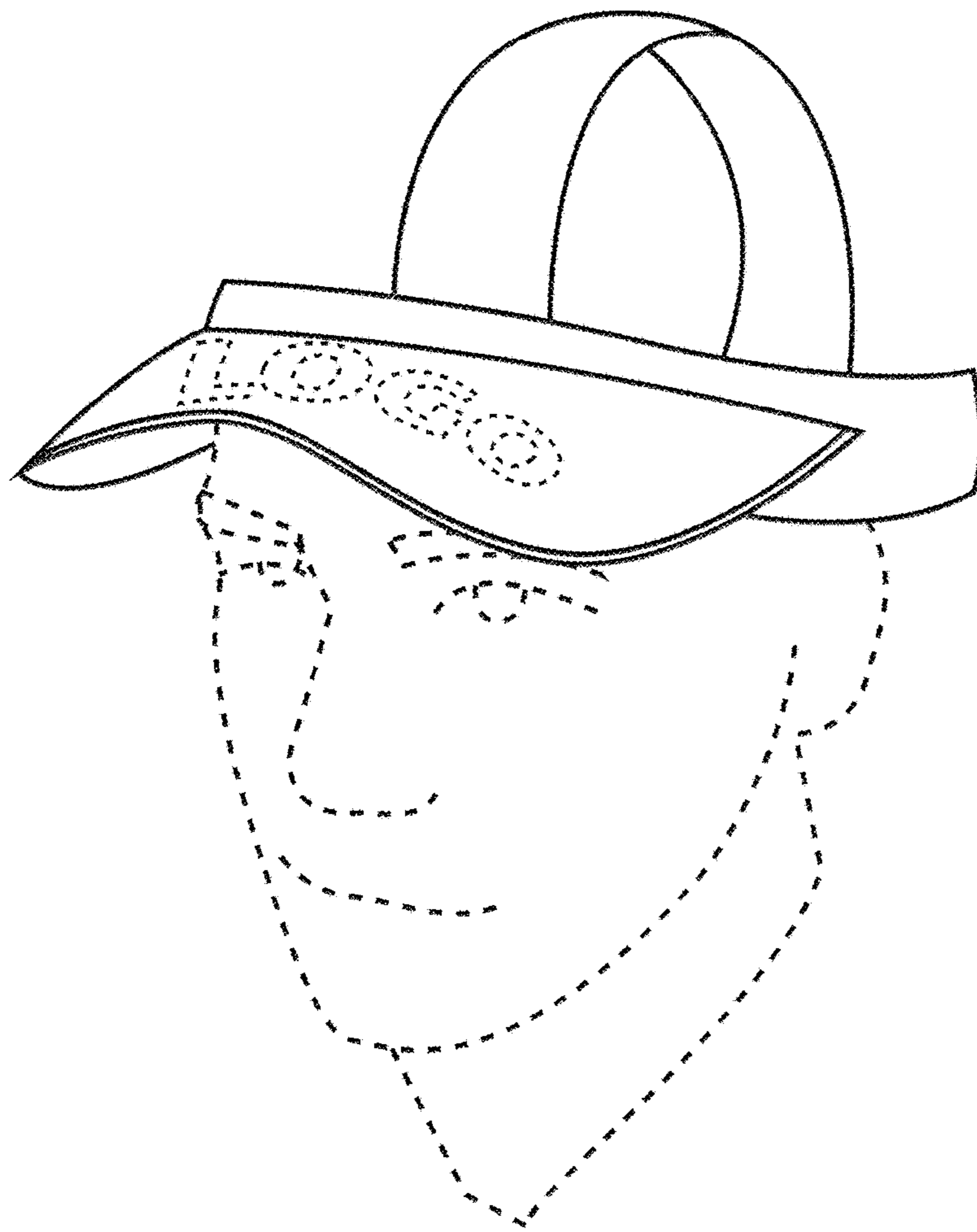


FIG. 3

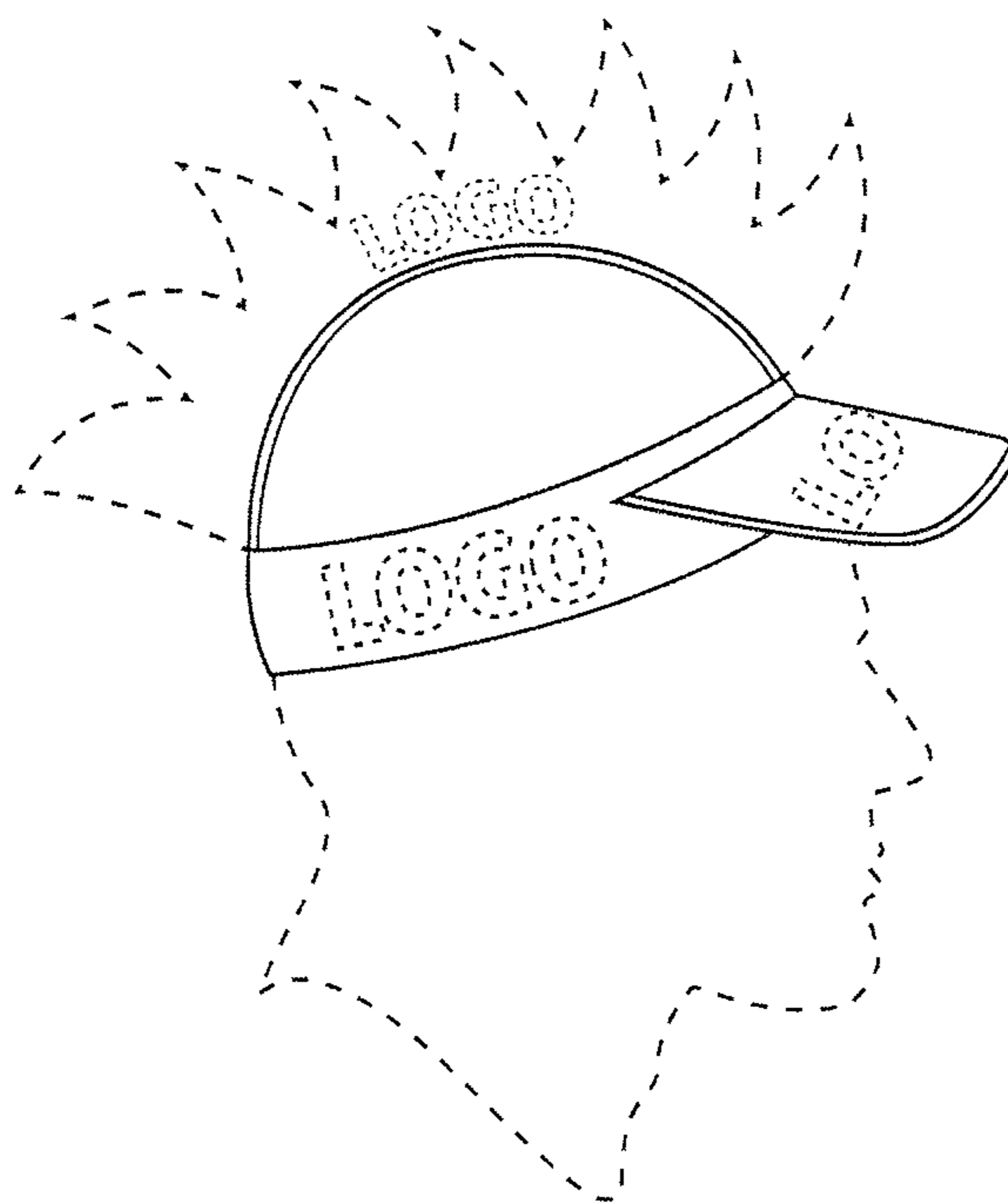


FIG. 4

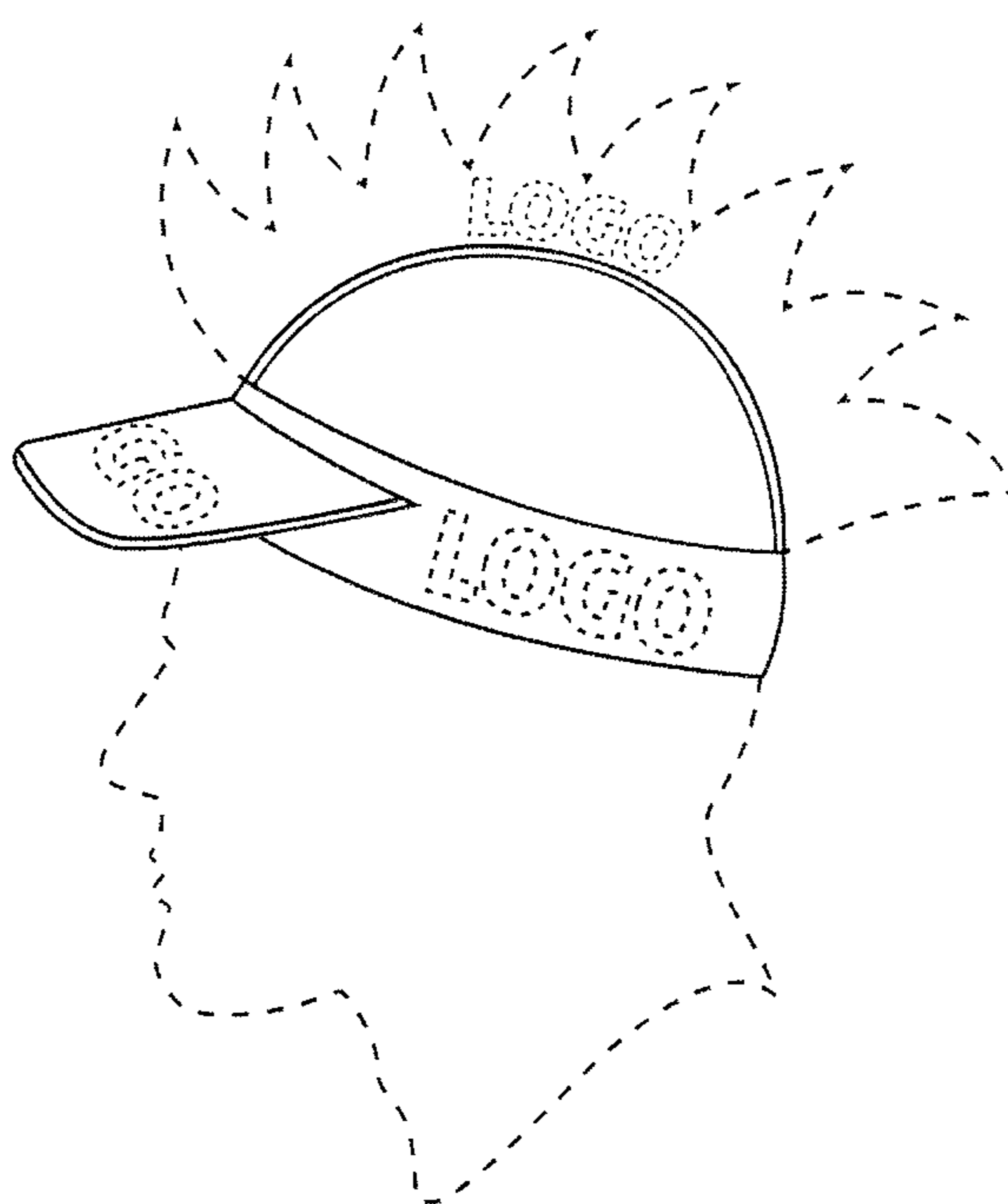


FIG. 5

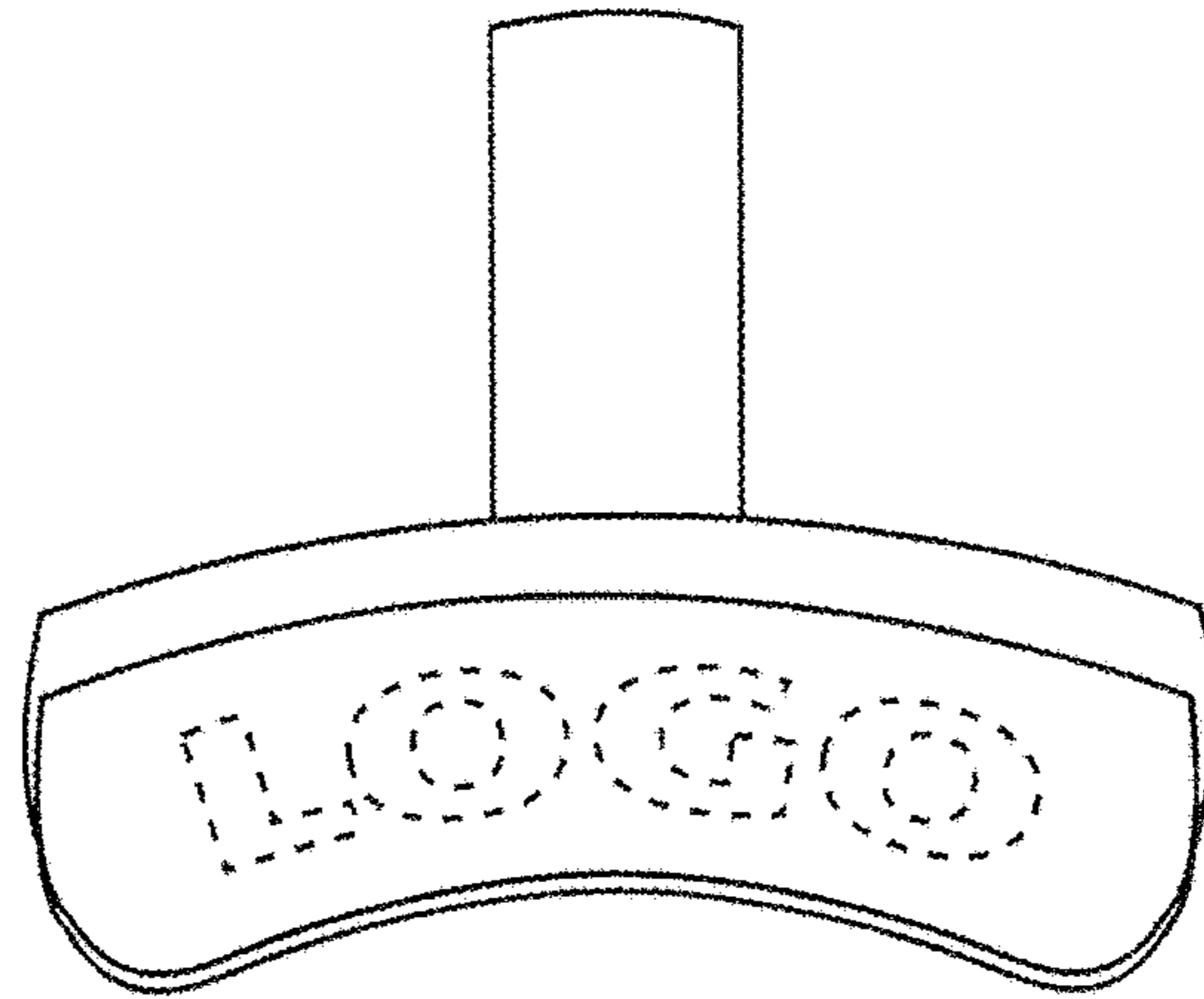


FIG. 6

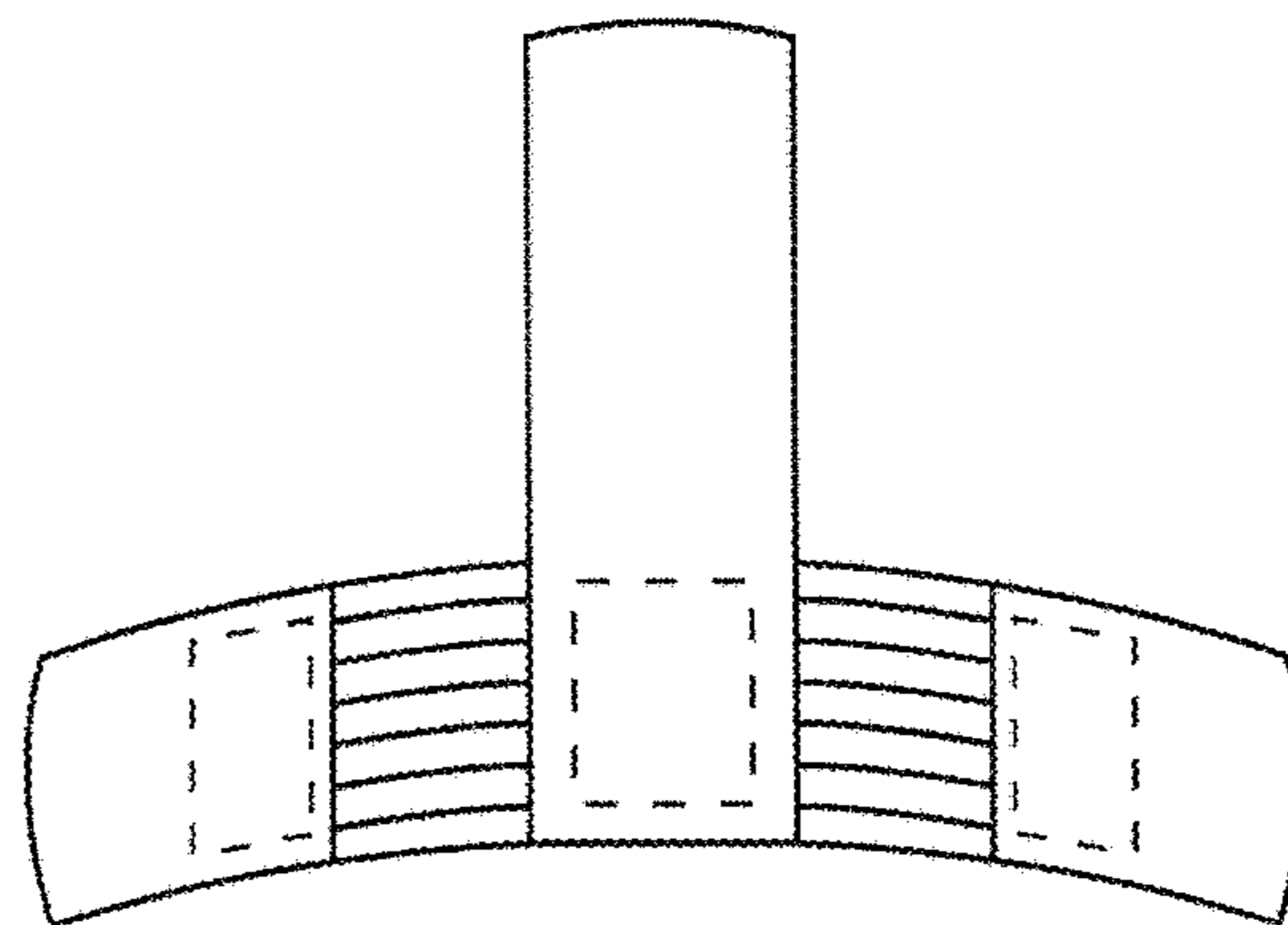


FIG. 7

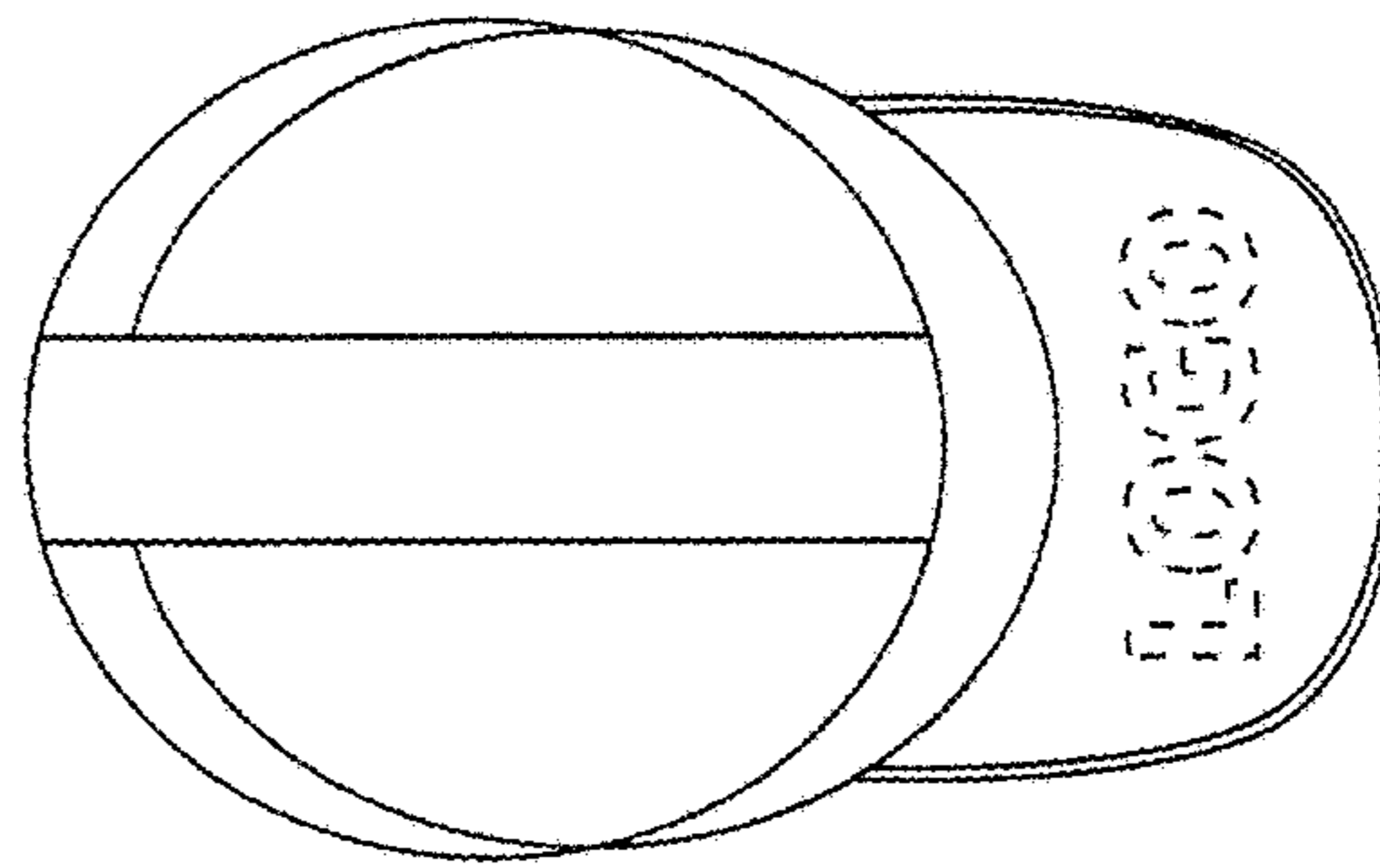


FIG. 8

