



US00D806992S

(12) **United States Design Patent**
Mathews

(10) **Patent No.:** **US D806,992 S**

(45) **Date of Patent:** **** Jan. 9, 2018**

(54) **SIMULATIVE ARMORED VEHICLE
NOVELTY HAT**

D429,870 S * 8/2000 Venditto, Jr. D2/869
D462,507 S * 9/2002 Bishop D2/869
D468,890 S * 1/2003 Davis D2/869

(71) Applicant: **Steven Mathews**, New York, NY (US)

(72) Inventor: **Steven Mathews**, New York, NY (US)

(**) Term: **15 Years**

(21) Appl. No.: **29/569,462**

(22) Filed: **Jun. 28, 2016**

(51) **LOC (11) Cl.** **02-03**

(52) **U.S. Cl.**
USPC **D2/869**

(58) **Field of Classification Search**
USPC D2/741, 865, 866, 867, 868, 869, 870,
D2/871, 872, 873, 874, 875, 876, 877,
D2/878, 879, 880, 881, 882, 883, 884,
D2/885, 886, 887, 888, 889, 890, 891,
D2/892, 893, 894, 895; D12/12;
D21/424, 427, 433, 434, 539, 833
CPC A42B 1/00; A42B 1/004
See application file for complete search history.

(56) **References Cited**

U.S. PATENT DOCUMENTS

D159,934 S * 8/1950 Sewell 446/433
D169,229 S * 3/1953 Tober D12/12
D182,661 S * 4/1958 Horowitz D21/539
3,722,357 A * 3/1973 Schallehn F41H 7/048
89/36.08
D311,040 S * 10/1990 Kunihiro D21/631
D338,692 S * 8/1993 Young D2/741
D352,318 S * 11/1994 Matthews D21/433
D384,277 S * 9/1997 Lenterman D9/432
D393,536 S * 4/1998 Buffer D2/869
D420,782 S * 2/2000 Sandt D2/869

OTHER PUBLICATIONS

Promoplace, Battle Ship Foam Hat, webpage (<http://www.promoplace.com/ws/ws.dll/PrDtl?DistID=20204&Rec=754274517&Print=1>), retrieved Jul. 25, 2016 (posted no later than Apr. 29, 2016).

* cited by examiner

Primary Examiner — Karen E Eldridge Powers

Assistant Examiner — Jasmine Mlinarcik

(74) *Attorney, Agent, or Firm* — Cooper & Dunham, LLP

(57) **CLAIM**

The ornamental design for a simulative armored vehicle novelty hat, as shown and described.

DESCRIPTION

FIG. 1 is a top front isometric view of a simulative armored vehicle novelty hat in accordance with the present design; FIG. 2 is a bottom back isometric view thereof; FIG. 3 is a front elevation view thereof; FIG. 4 is a back elevation view thereof; FIG. 5 is left side elevation view thereof; FIG. 6 is a right side elevation view thereof; FIG. 7 is a top plan view thereof; and, FIG. 8 is a bottom plan view thereof.

The broken lines represent environmental structure that forms no part of the claimed design. The broken lines shown within the interior portions of the hat represent the bounds of the claim and form no part thereof.

1 Claim, 7 Drawing Sheets

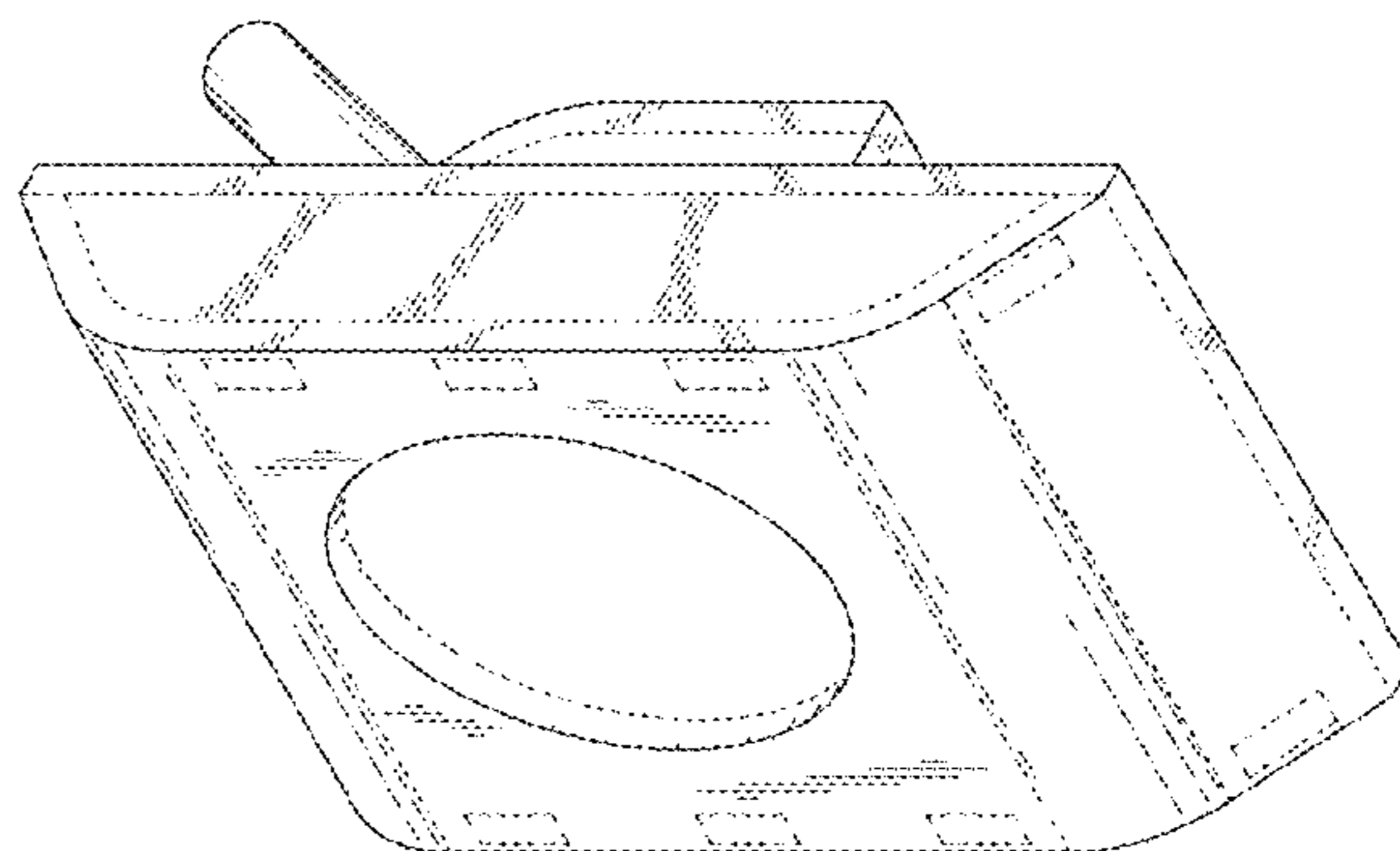
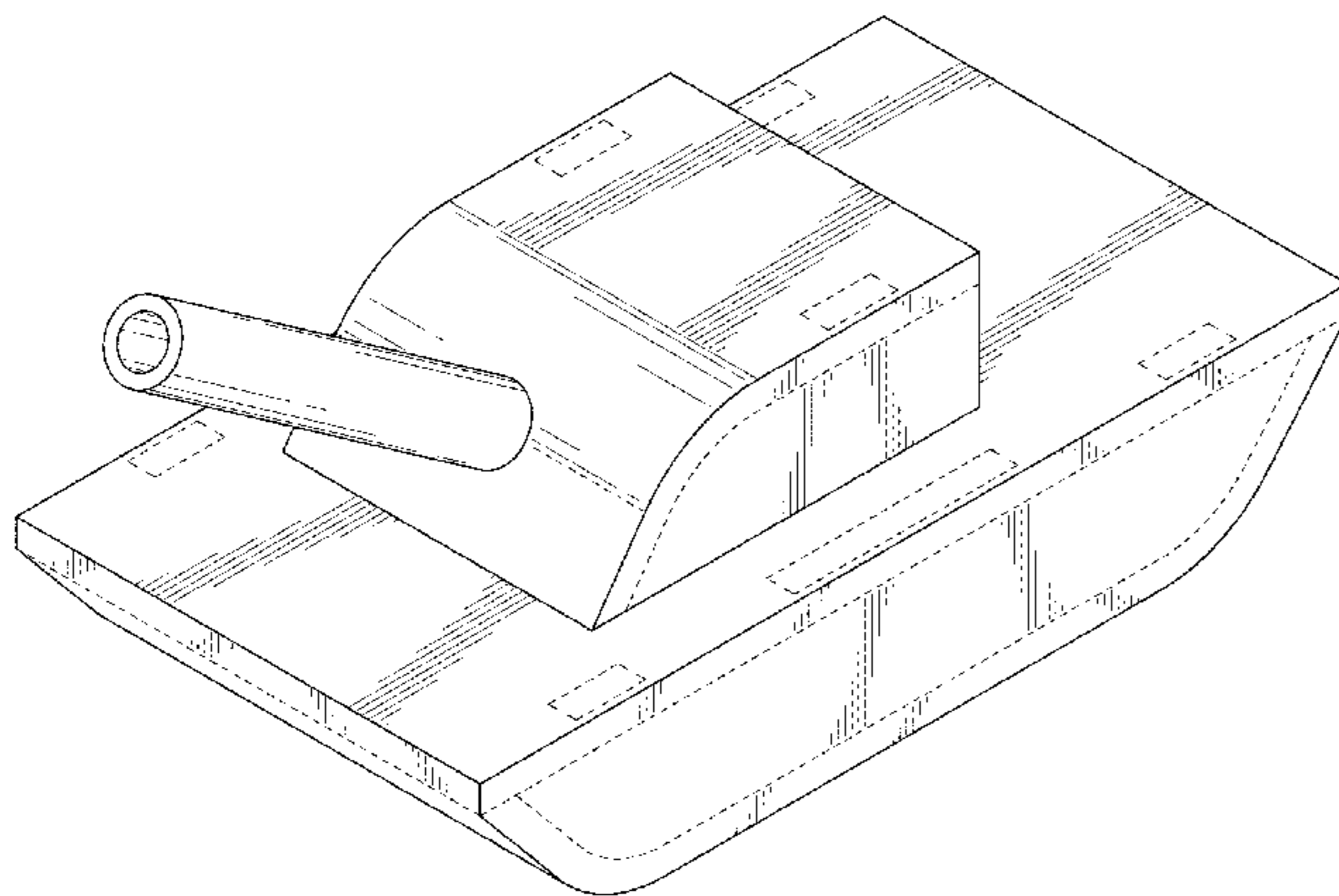


FIG. 1

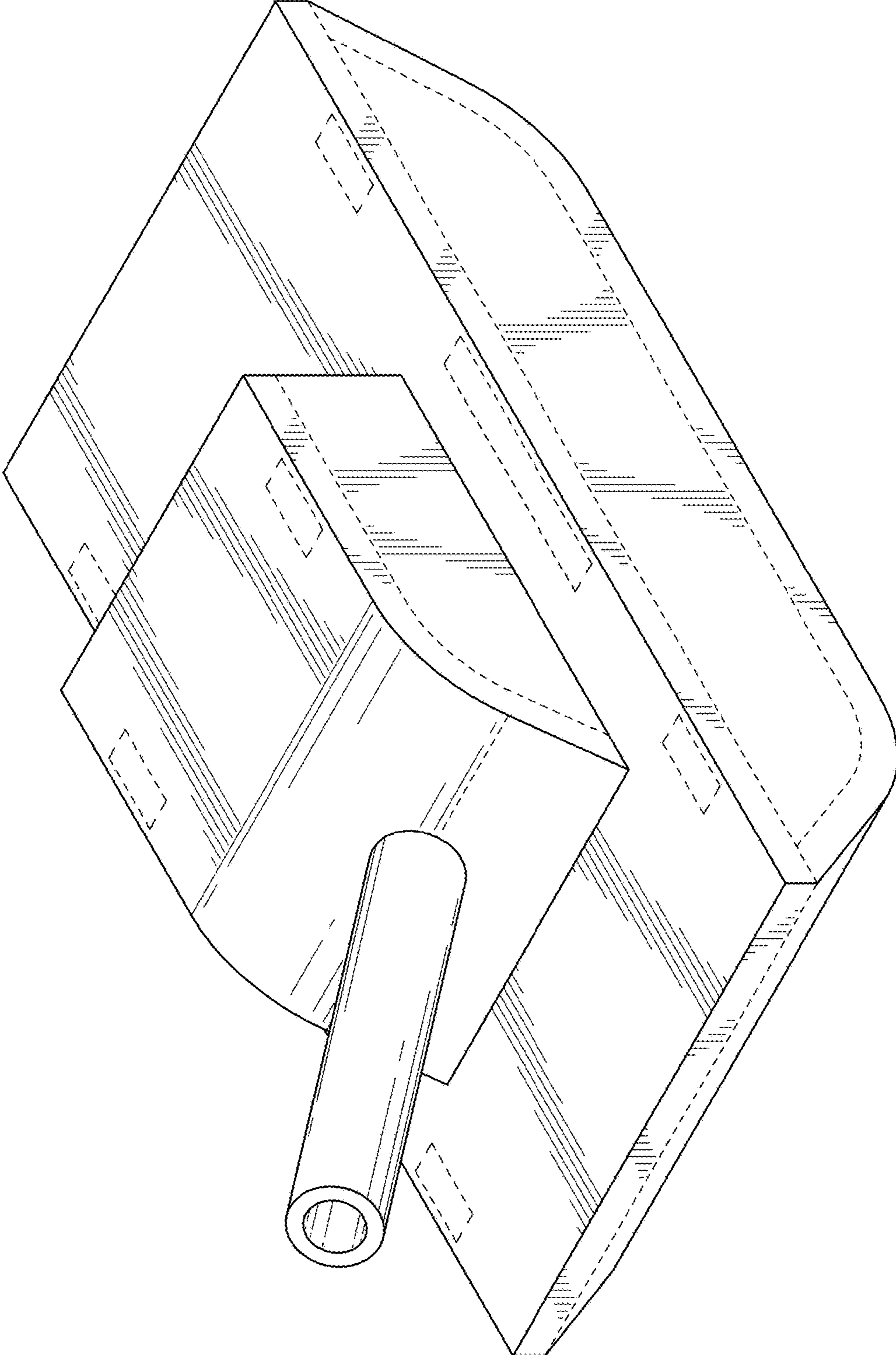


FIG. 2

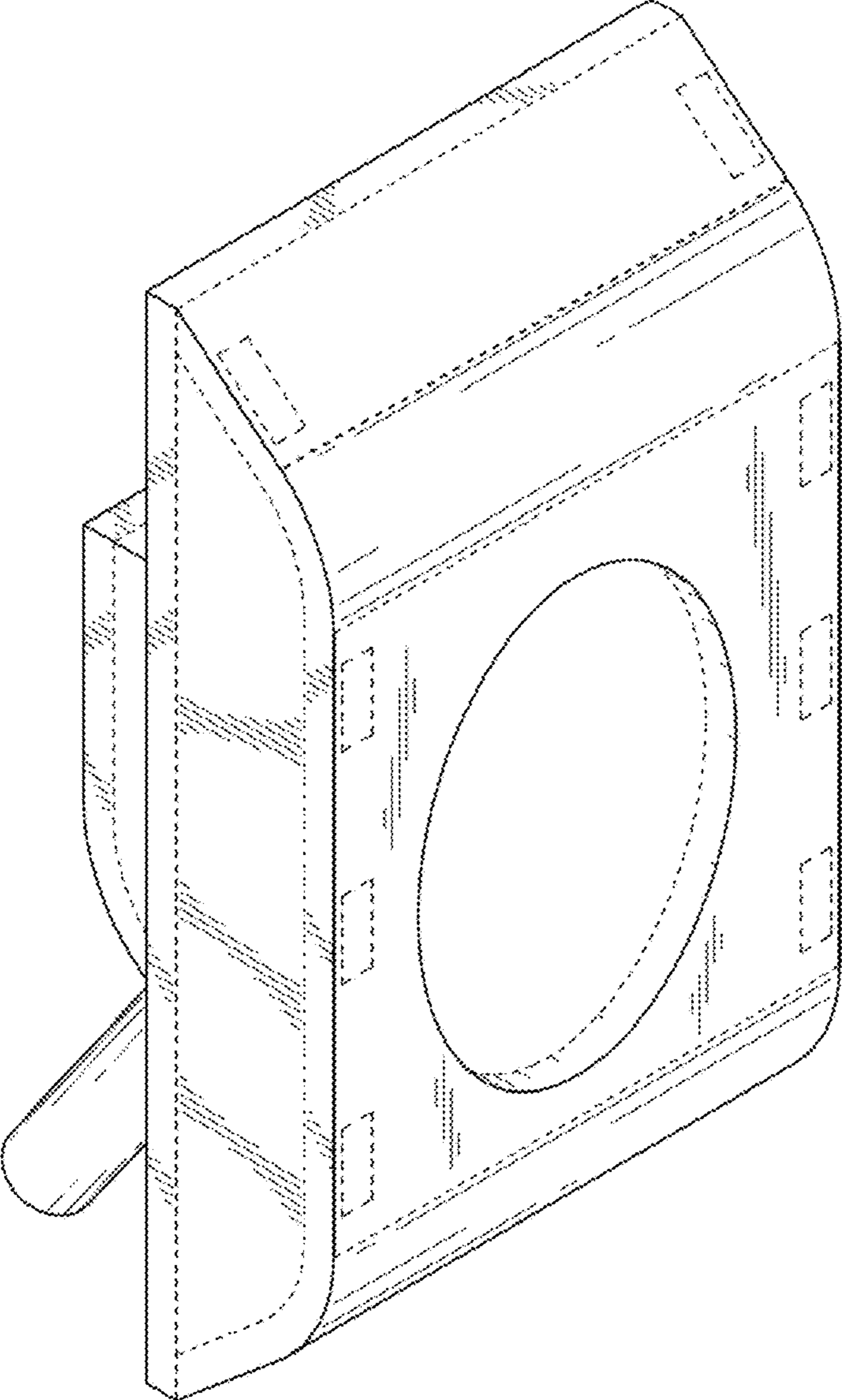


FIG. 3

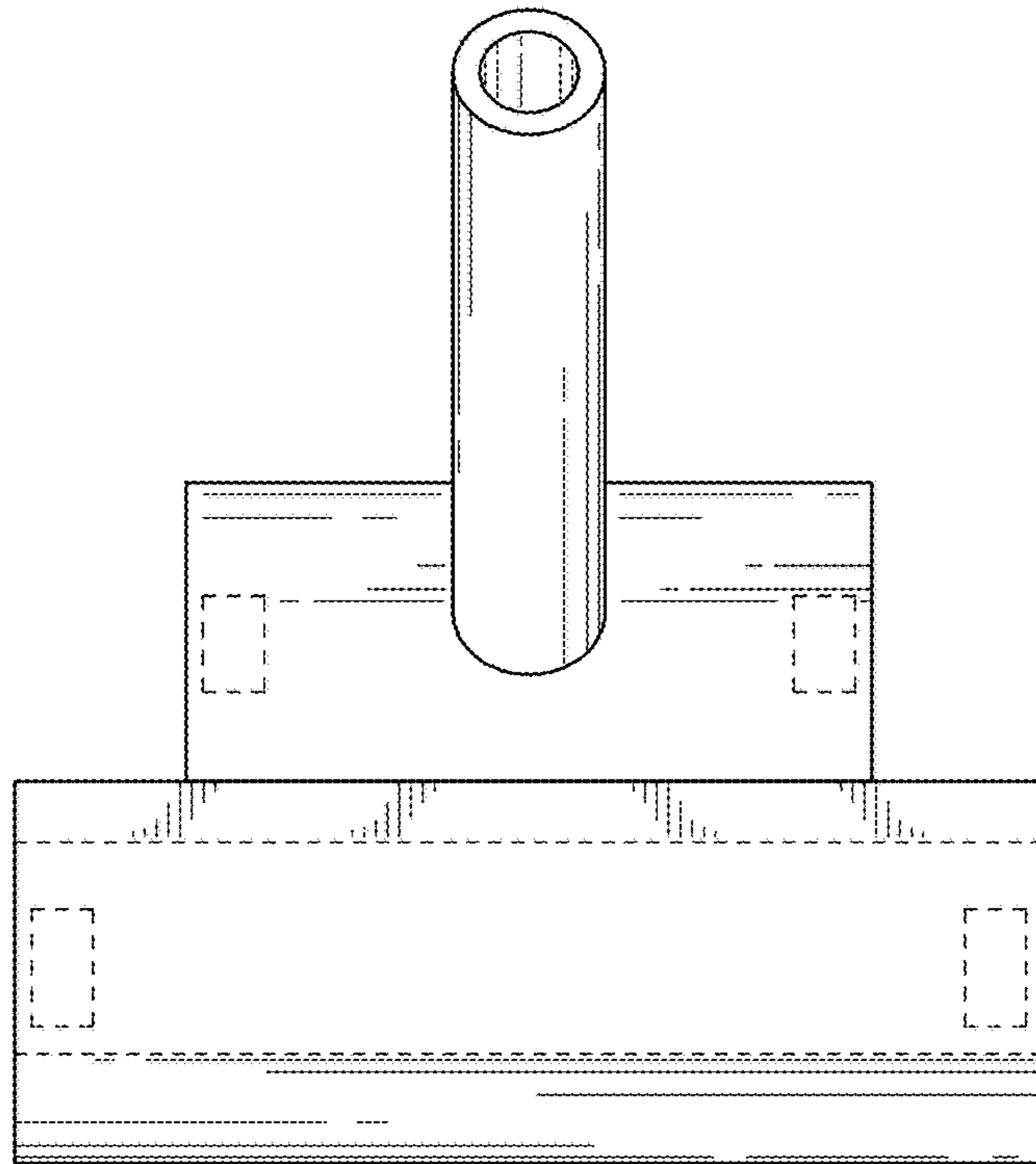


FIG. 4

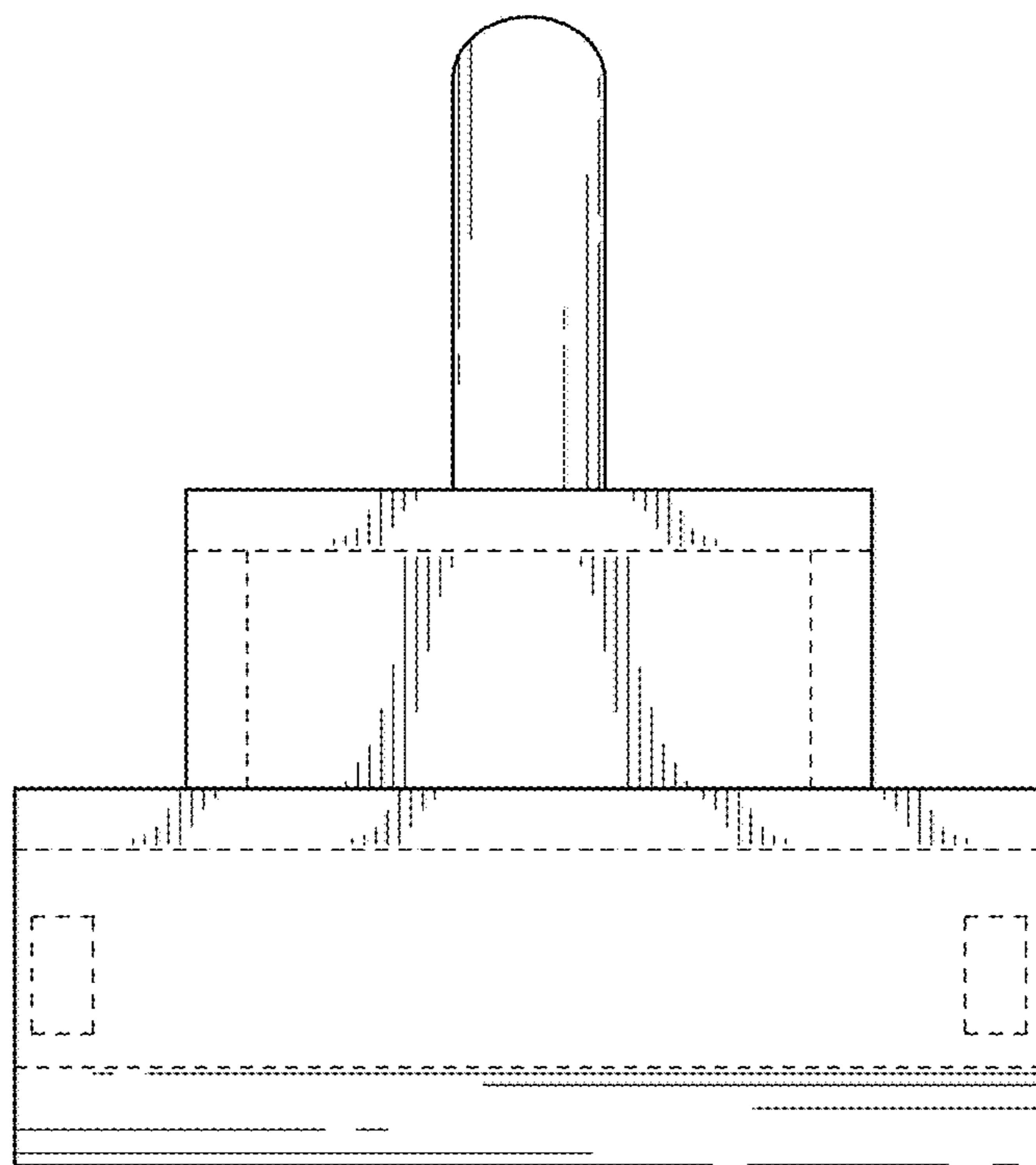


FIG. 5

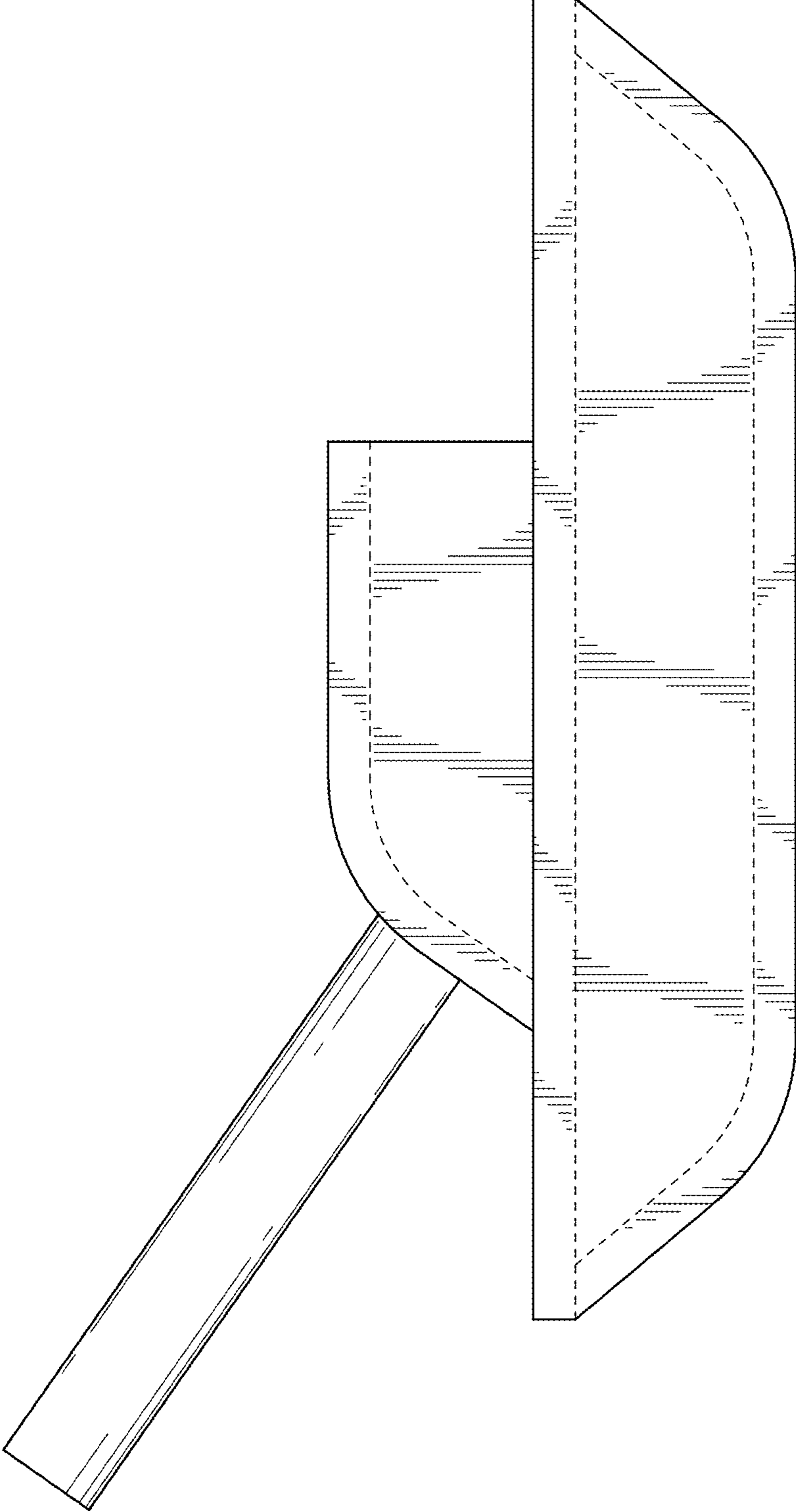


FIG. 6

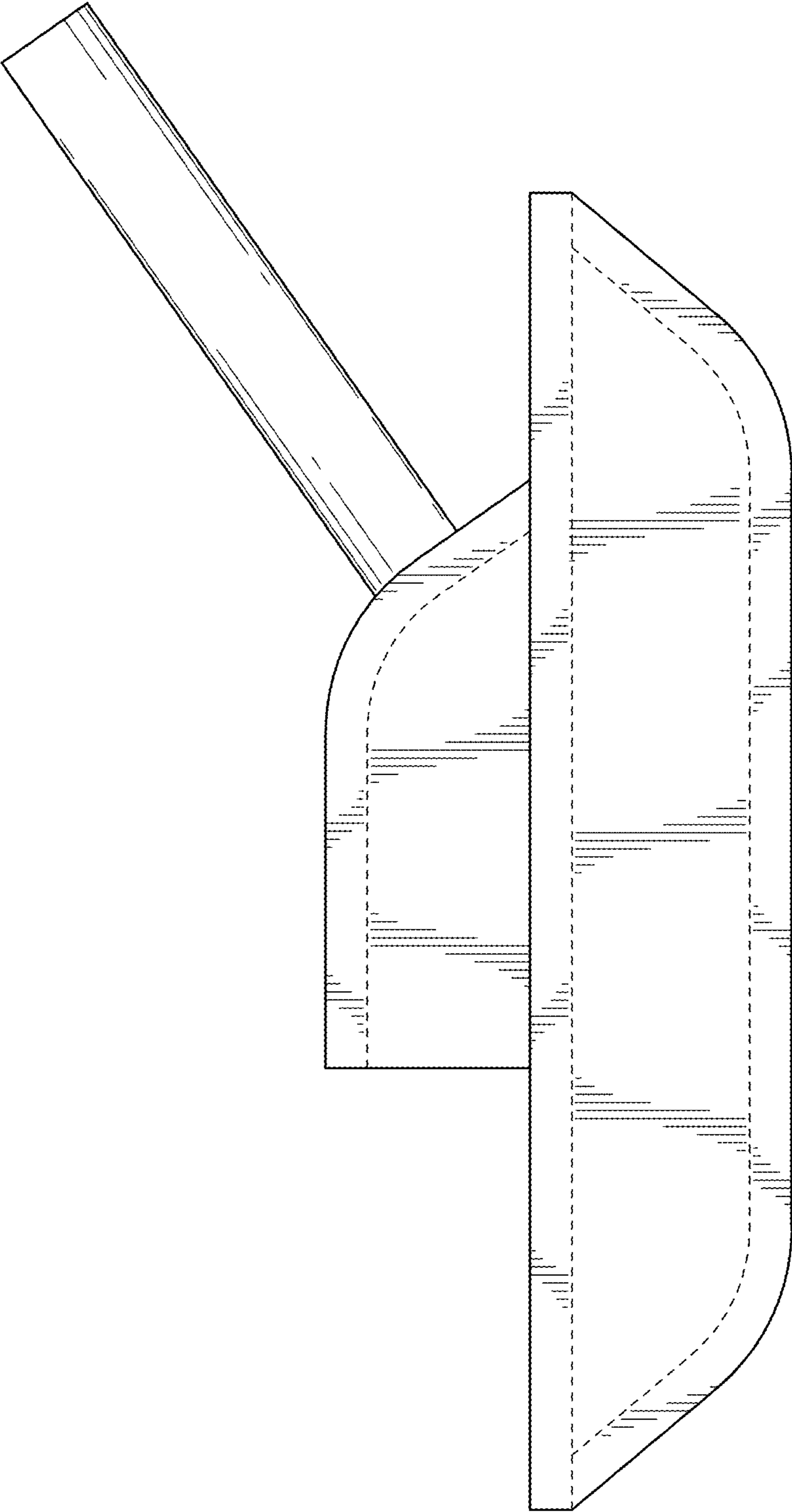


FIG. 7

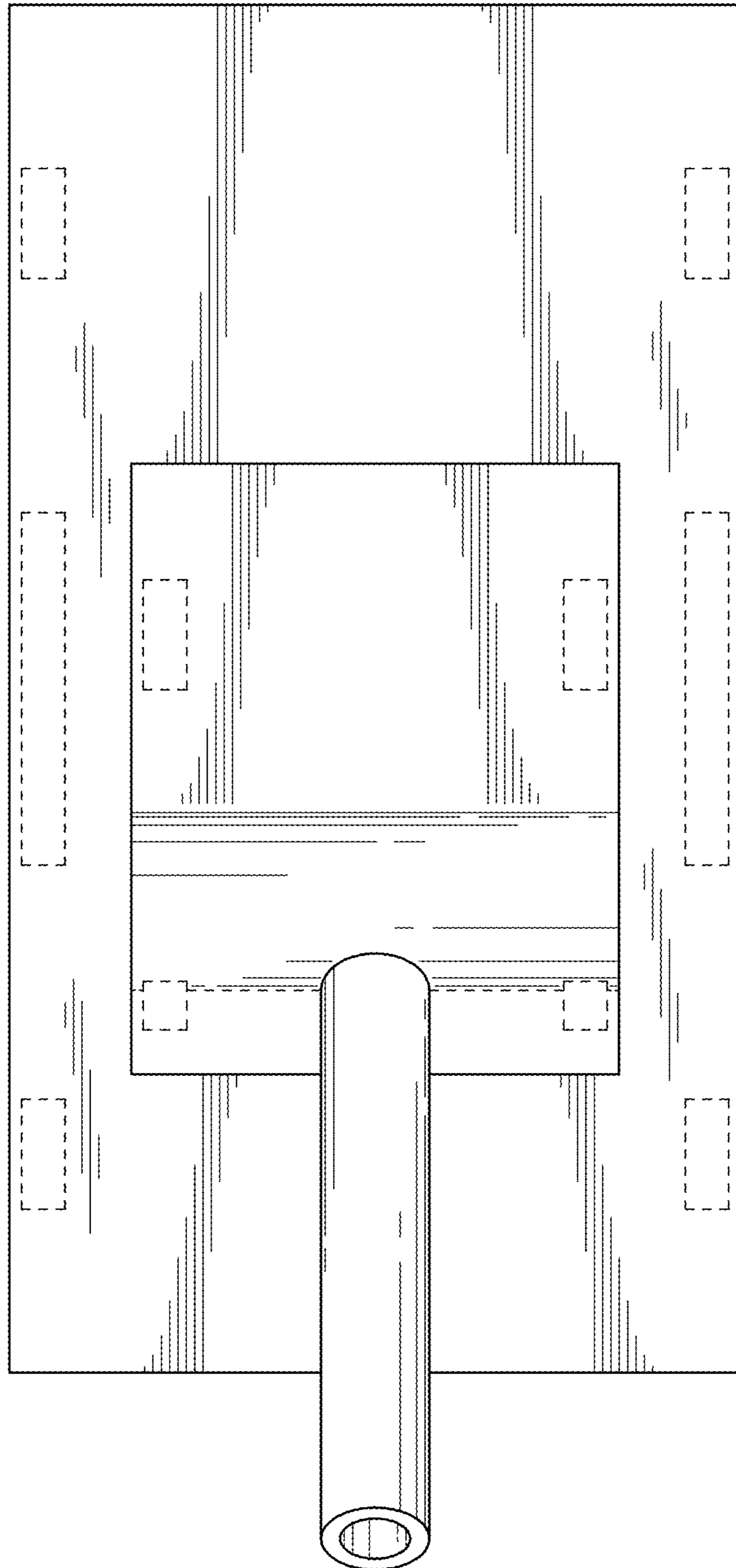


FIG. 8

