



US00D806991S

(12) **United States Design Patent**
Razdan et al.

(10) **Patent No.:** **US D806,991 S**
(45) **Date of Patent:** **** Jan. 9, 2018**

- (54) **SHIRT PORT OPENING**
- (71) Applicant: **CARE + WEAR, INC.**, New York, NY (US)
- (72) Inventors: **Chaitenya Razdan**, New York, NY (US); **Susan Jones**, New York, NY (US)
- (73) Assignee: **CARE + WEAR, INC.**, New York, NY (US)
- (**) Term: **15 Years**
- (21) Appl. No.: **29/560,732**
- (22) Filed: **Apr. 8, 2016**
- (51) **LOC (11) Cl.** **02-02**
- (52) **U.S. Cl.**
USPC **D2/857**
- (58) **Field of Classification Search**
USPC D2/840, 841, 849, 858, 857, 853, 839
CPC . A41B 1/00; A41D 1/00; A41D 13/00; A41D 13/12
See application file for complete search history.

(56) **References Cited**

U.S. PATENT DOCUMENTS

D153,045 S *	3/1949	Spector	2/116
3,174,156 A *	3/1965	Dale	A41D 13/0015 2/115
4,651,355 A *	3/1987	White	A41D 27/20 2/247
D294,651 S *	3/1988	Ferre	D2/742
5,507,042 A *	4/1996	van der Slessen	A41D 27/28 2/108
5,704,064 A *	1/1998	van der Slessen	A41D 27/28 2/108
5,848,439 A *	12/1998	Huseth	A41D 1/205 2/104
6,070,274 A *	6/2000	van der Slessen	A41D 13/0156 2/456

6,085,353 A *	7/2000	van der Slessen	A41D 15/04 2/108
D574,126 S *	8/2008	McCray	D2/720
D591,482 S *	5/2009	Ramirez	D2/742
D689,669 S *	9/2013	Williams	D2/857
D691,348 S *	10/2013	Glaze	D2/840
D694,492 S *	12/2013	OBrien	D2/853
8,607,366 B2 *	12/2013	Austin	A41D 13/1236 2/300
D742,624 S *	11/2015	Meyers	D2/857
D746,553 S *	1/2016	Emrich	D2/857
D749,297 S *	2/2016	Kidman	D2/750

(Continued)

Primary Examiner — Kevin K Rudzinski
(74) *Attorney, Agent, or Firm* — Arent Fox LLP

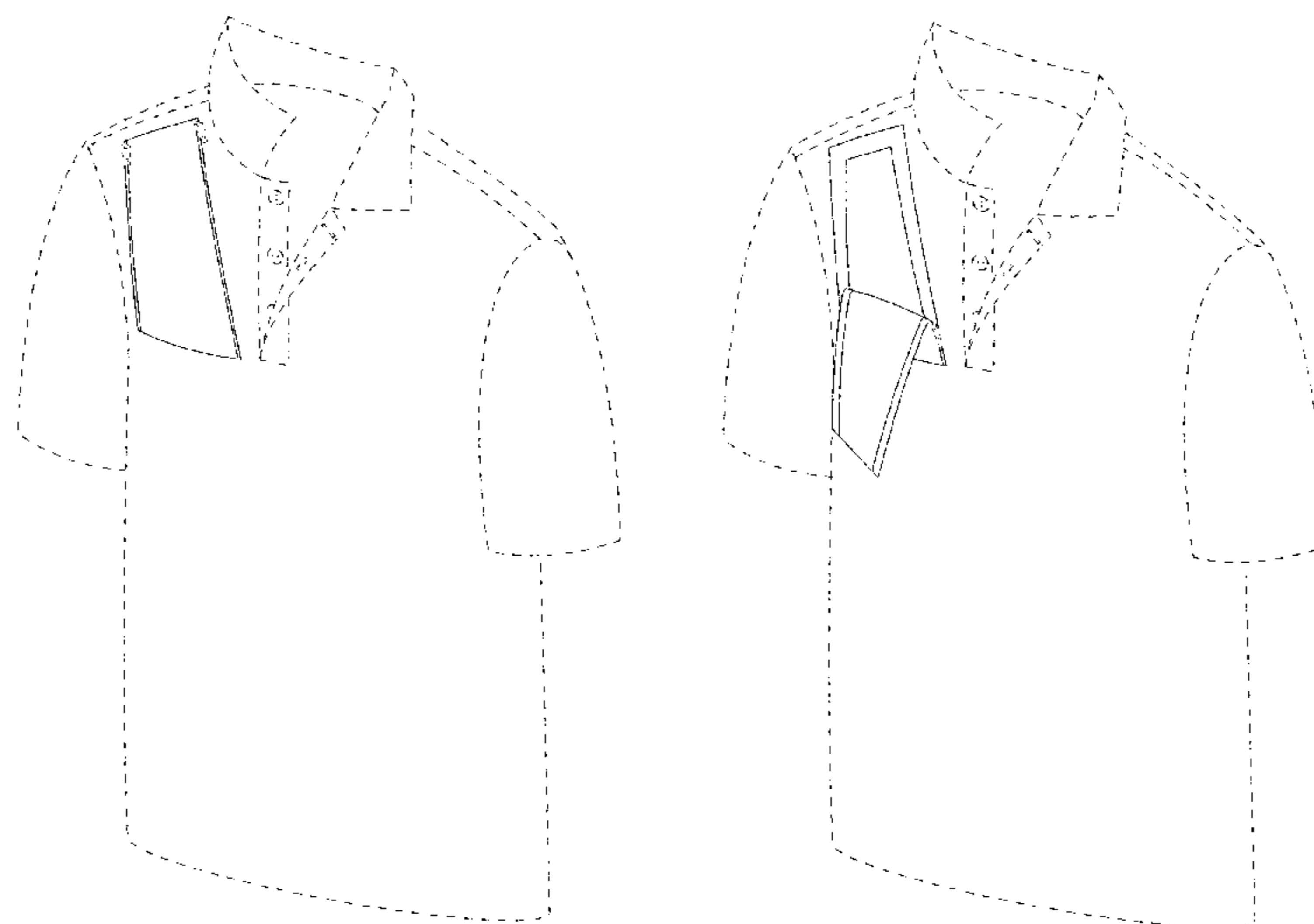
(57) **CLAIM**

The ornamental design for a shirt port opening, as shown and described.

DESCRIPTION

FIG. 1 is a perspective view of a shirt port opening showing our new design in a closed state;
 FIG. 2 is a front view of the design shown in FIG. 1;
 FIG. 3 is a left side view of the design shown in FIG. 1;
 FIG. 4 is a right side view of the design shown in FIG. 1;
 FIG. 5 is a top view of the design shown in FIG. 1;
 FIG. 6 is a perspective view of shirt port opening showing our new design in an open state;
 FIG. 7 is a front view of the design shown in FIG. 6;
 FIG. 8 is a left side view of the design shown in FIG. 6;
 FIG. 9 is a right side view of the design shown in FIG. 6;
 and,
 FIG. 10 is a top view of the design shown in FIG. 6.
 The broken lines in the figures show the shirt and portions of the shirt port opening that form no part of the claimed design. The claimed shirt port opening is not visible from the rear view and the bottom view of the shirt.

1 Claim, 10 Drawing Sheets



(56)

References Cited

U.S. PATENT DOCUMENTS

D753,902 S *	4/2016	Niles	D2/717
D785,907 S *	5/2017	Auth	D2/745
2003/0126668 A1 *	7/2003	Scroggins	A41D 13/1236 2/114
2007/0157362 A1 *	7/2007	Rogers	A41D 13/1236 2/114
2012/0005803 A1 *	1/2012	Sagami	A41D 13/1245 2/114
2014/0157479 A1 *	6/2014	Streep	A41D 13/1236 2/69
2014/0310850 A1 *	10/2014	Hudak	A41D 13/1245 2/114
2015/0101102 A1 *	4/2015	Theodossiou	A41D 13/1254 2/114
2016/0183614 A1 *	6/2016	Kuipers	A41D 27/201 2/253

* cited by examiner

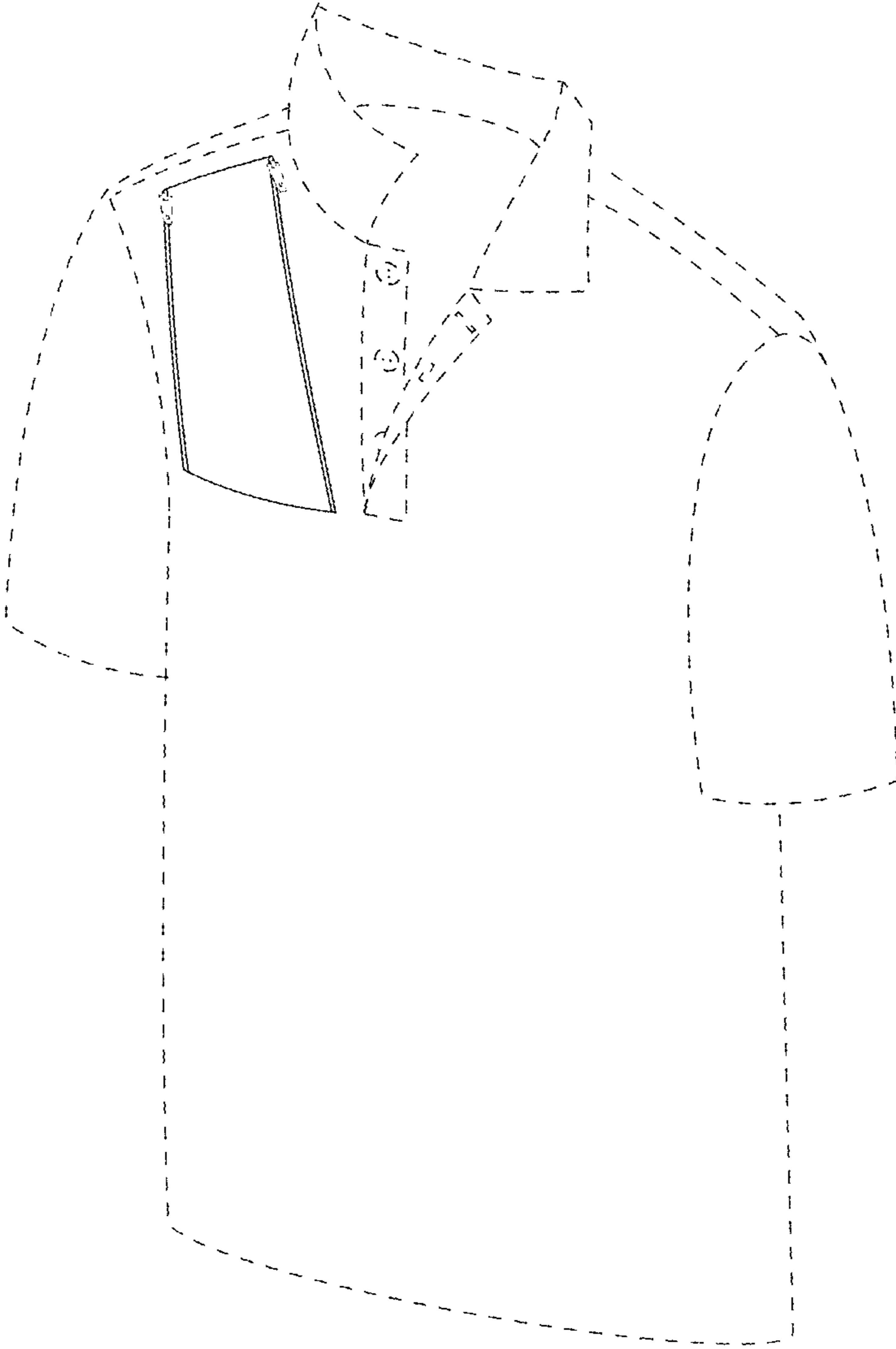


FIG. 1

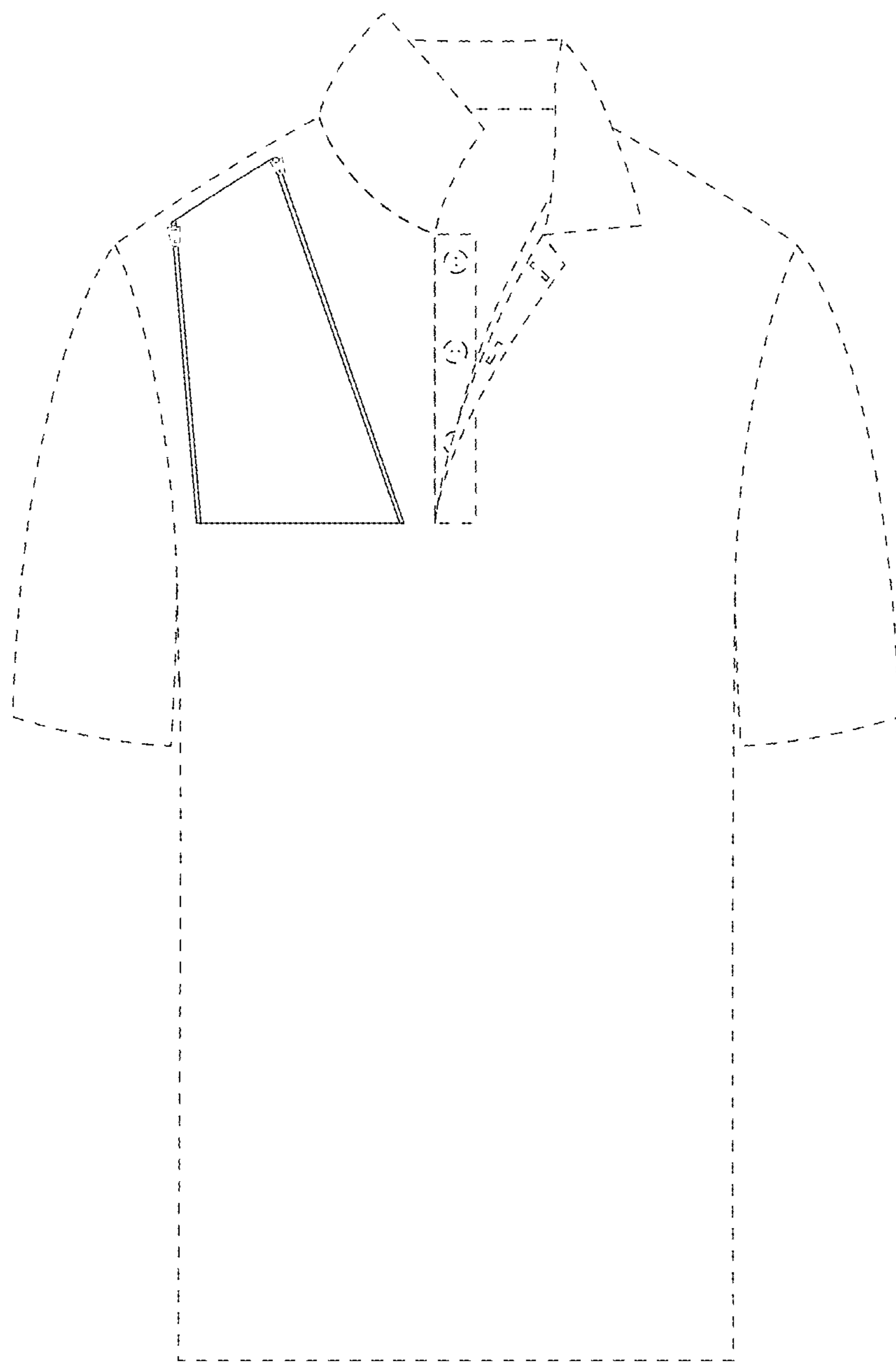


FIG. 2

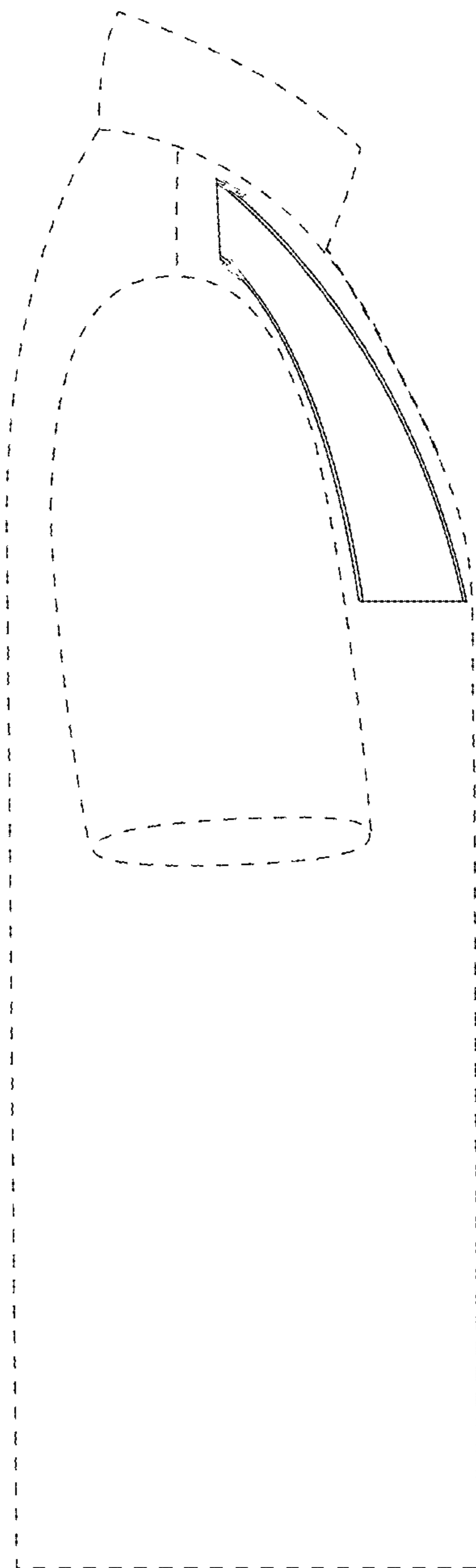


FIG. 3

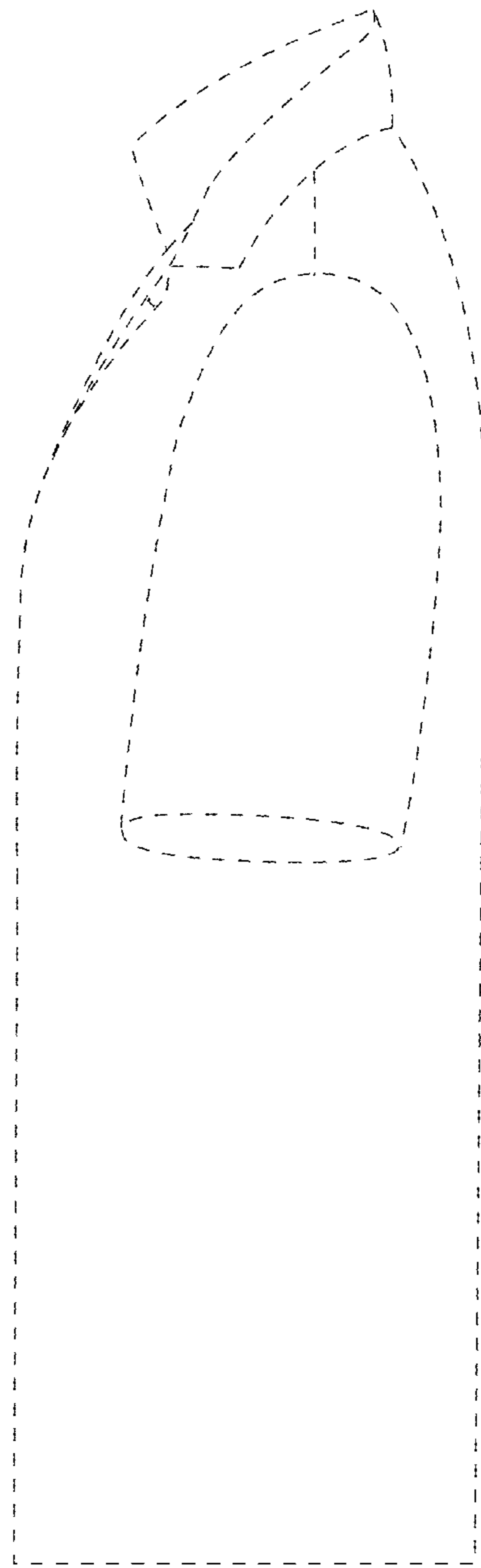


FIG. 4

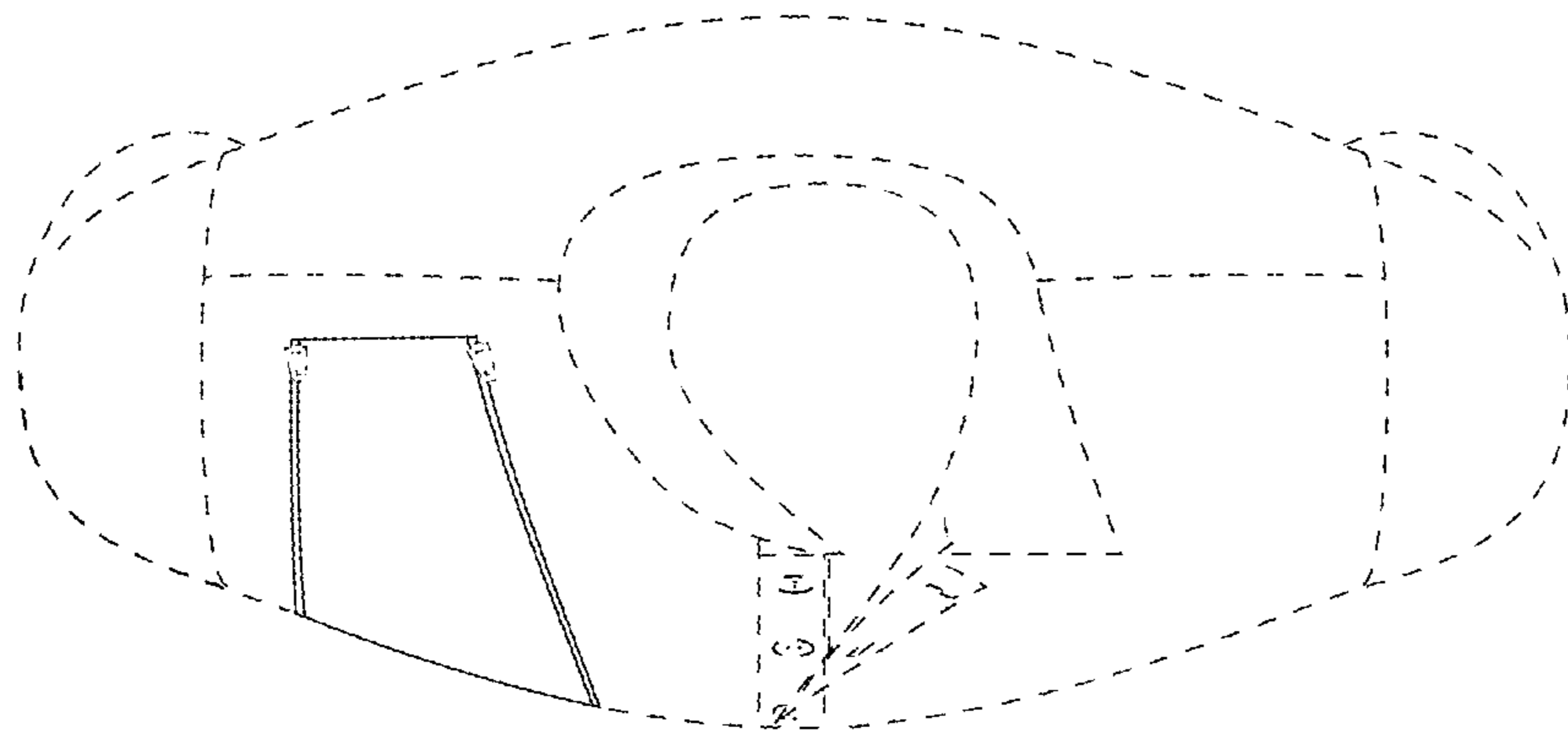


FIG. 5

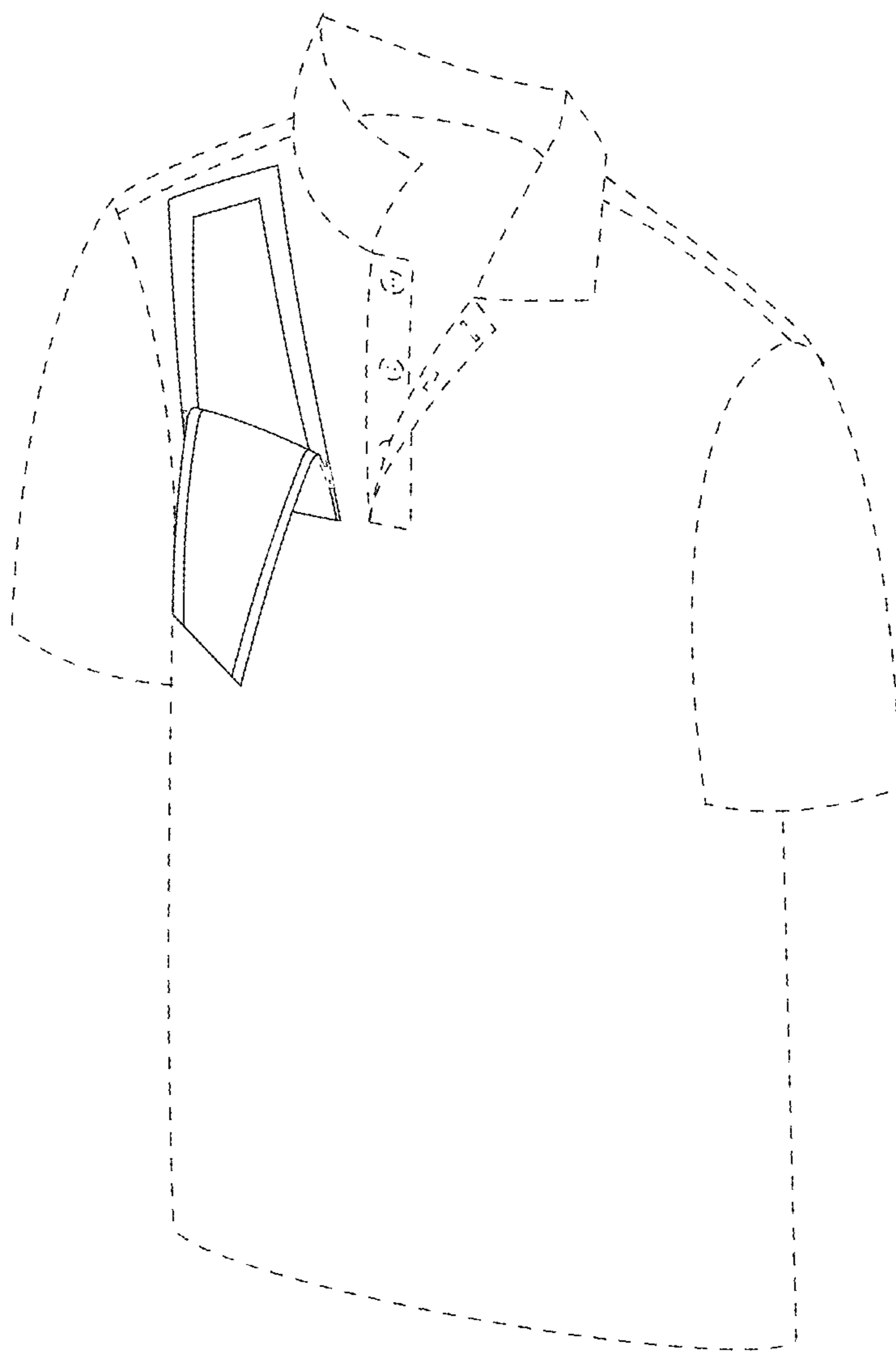


FIG. 6

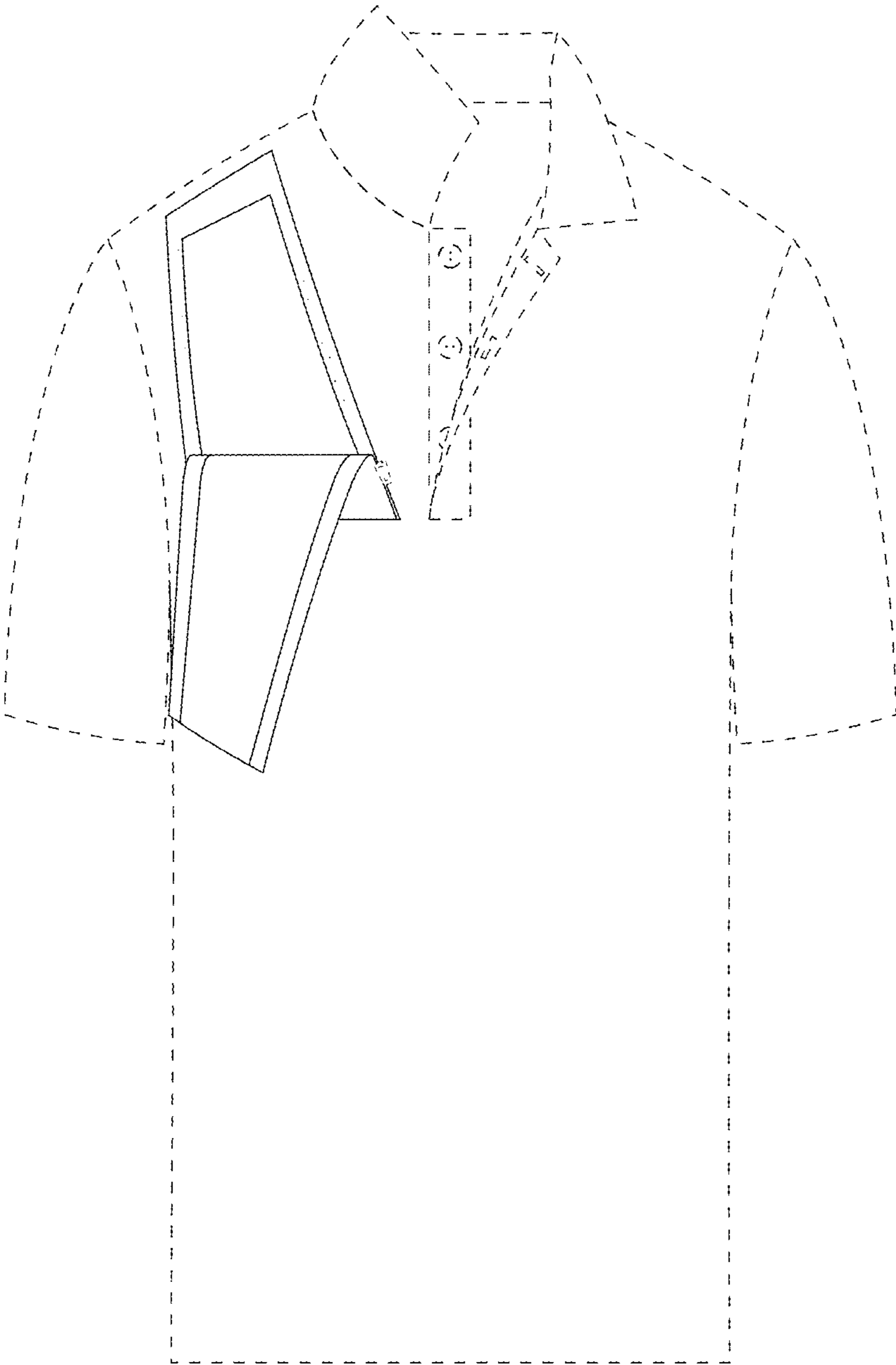


FIG. 7

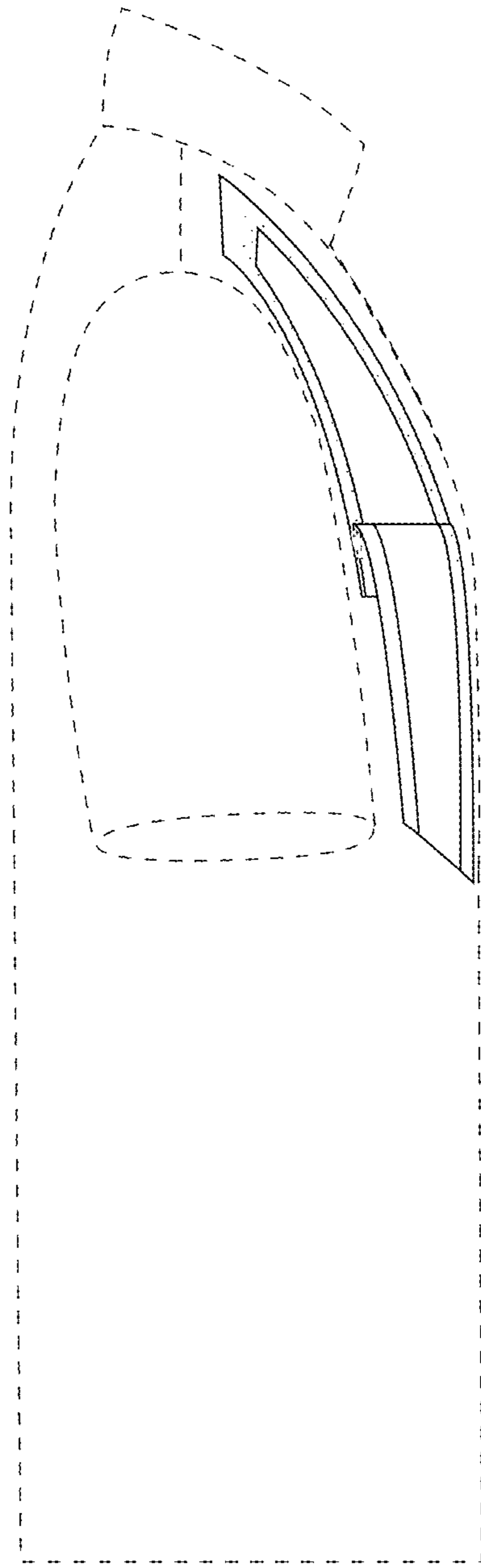


FIG. 8

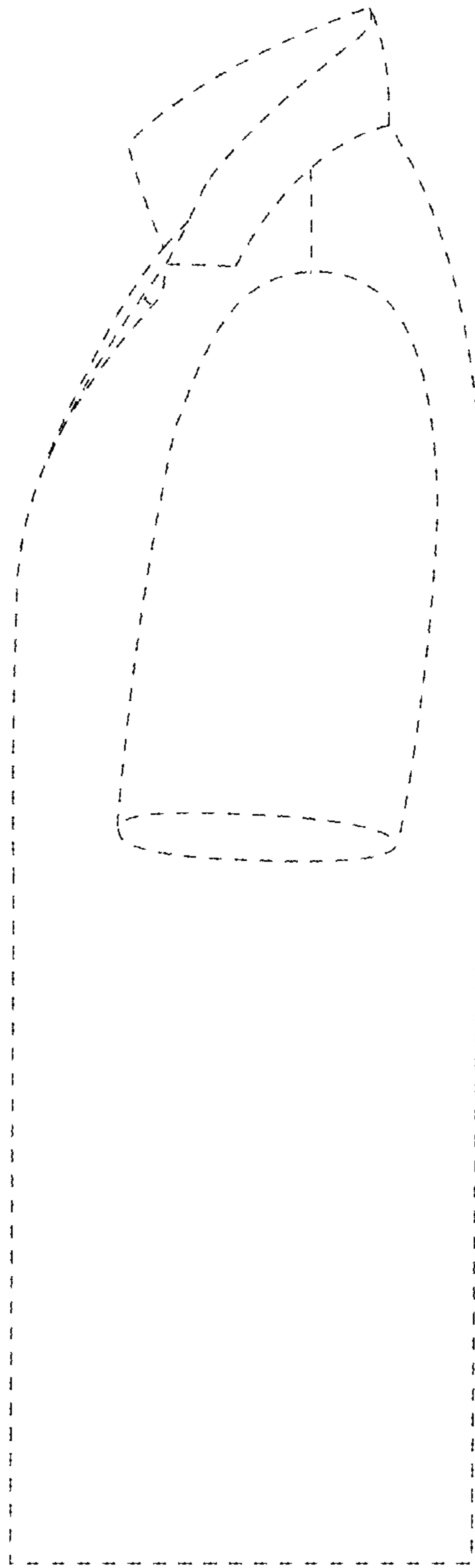


FIG. 9

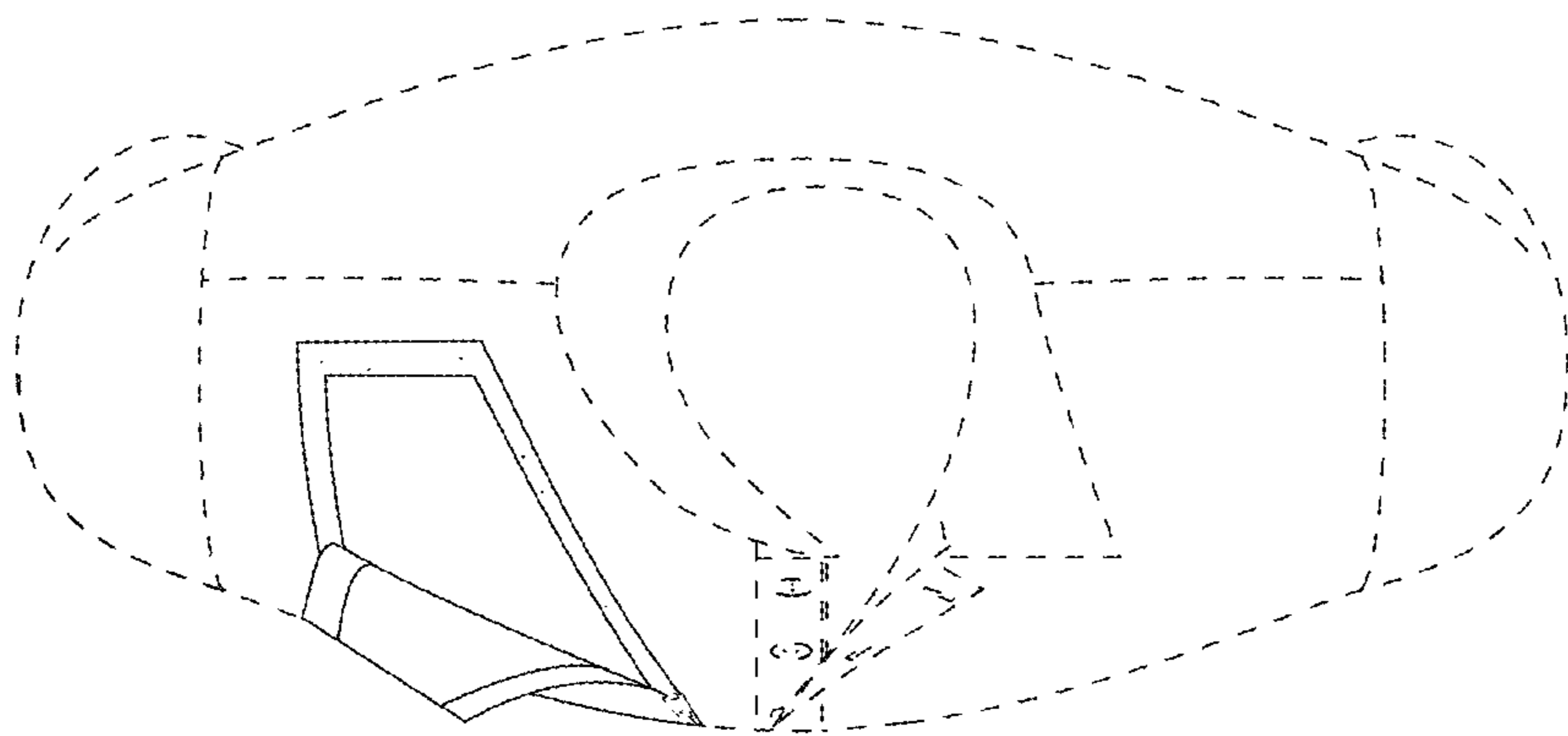


FIG. 10