



US00D806979S

(12) **United States Design Patent** (10) **Patent No.:** **US D806,979 S**
Gerlach et al. (45) **Date of Patent:** **** Jan. 2, 2018**

(54) **SELF-SERVICE TERMINAL**
(71) Applicant: **NCR Corporation**, Duluth, GA (US)
(72) Inventors: **Tim Gerlach**, Walnut Creek, CA (US);
Steven J. Birnie, Dundee (GB);
Marshall Munro, Dunfermline (GB);
Stephen W. Swaine, Perthshire (GB)
(73) Assignee: **NCR Corporation**, Duluth, GA (US)
(**) Term: **15 Years**
(21) Appl. No.: **29/586,540**
(22) Filed: **Dec. 5, 2016**
(51) **LOC (11) Cl.** **99-00**
(52) **U.S. Cl.**
USPC **D99/28**
(58) **Field of Classification Search**
USPC D99/28, 34, 25, 26, 43, 99;
D14/300-302, 305, 307, 900-902;
D18/3.1-3.3, 4.1-4.6, 12.1-12.3;
D21/324, 325, 329, 369, 370
CPC ... G07B 1/00; G07B 1/02; G07B 1/04; G07B
1/06; G07B 1/08; G07B 3/00; G07B
3/02; G07B 3/04; G07B 5/00; E05B
65/0075; E05G 1/00; E05G 1/005; E05G
1/02; E05G 1/024; E05G 5/00; E05G
5/003; E05G 5/006; E05G 5/02; E05G
7/00; E05G 7/001; E05G 2700/00; E05G
2700/02; G07F 19/00; G07F 19/20; G07F
19/201; G07F 19/202; G07F 19/203;
G07F 19/204; G07F 19/205; G07D 11/00;
G07D 11/0021; G07D 2201/00
See application file for complete search history.

(56) **References Cited**
U.S. PATENT DOCUMENTS
D318,553 S * 7/1991 Brown D99/28
D454,421 S * 3/2002 Jeon D18/3.3

D492,080 S * 6/2004 Magee D99/28
D530,880 S * 10/2006 Magee D99/28
D540,004 S * 4/2007 Kang D99/28
D596,374 S * 7/2009 Kang D99/28
D625,305 S * 10/2010 Bleck D14/307
D629,585 S * 12/2010 Bleck D14/307
D645,223 S * 9/2011 Bleck D14/307
D674,985 S * 1/2013 Lee D14/900
D682,504 S * 5/2013 Lee D14/900
D716,515 S * 10/2014 Cha D99/28
D724,812 S * 3/2015 Cha D99/28
D743,956 S * 11/2015 Kraft D14/307
D769,570 S * 10/2016 Kraft D99/28
D769,571 S * 10/2016 Lee D99/28
D769,572 S * 10/2016 Park D99/28
2004/0262379 A1 * 12/2004 Gomes G06Q 30/06
235/379
2005/0029340 A1 * 2/2005 Ferraro G07F 7/00
235/379

(Continued)

Primary Examiner — Elizabeth J Oswecki
(74) *Attorney, Agent, or Firm* — Paul W. Martin

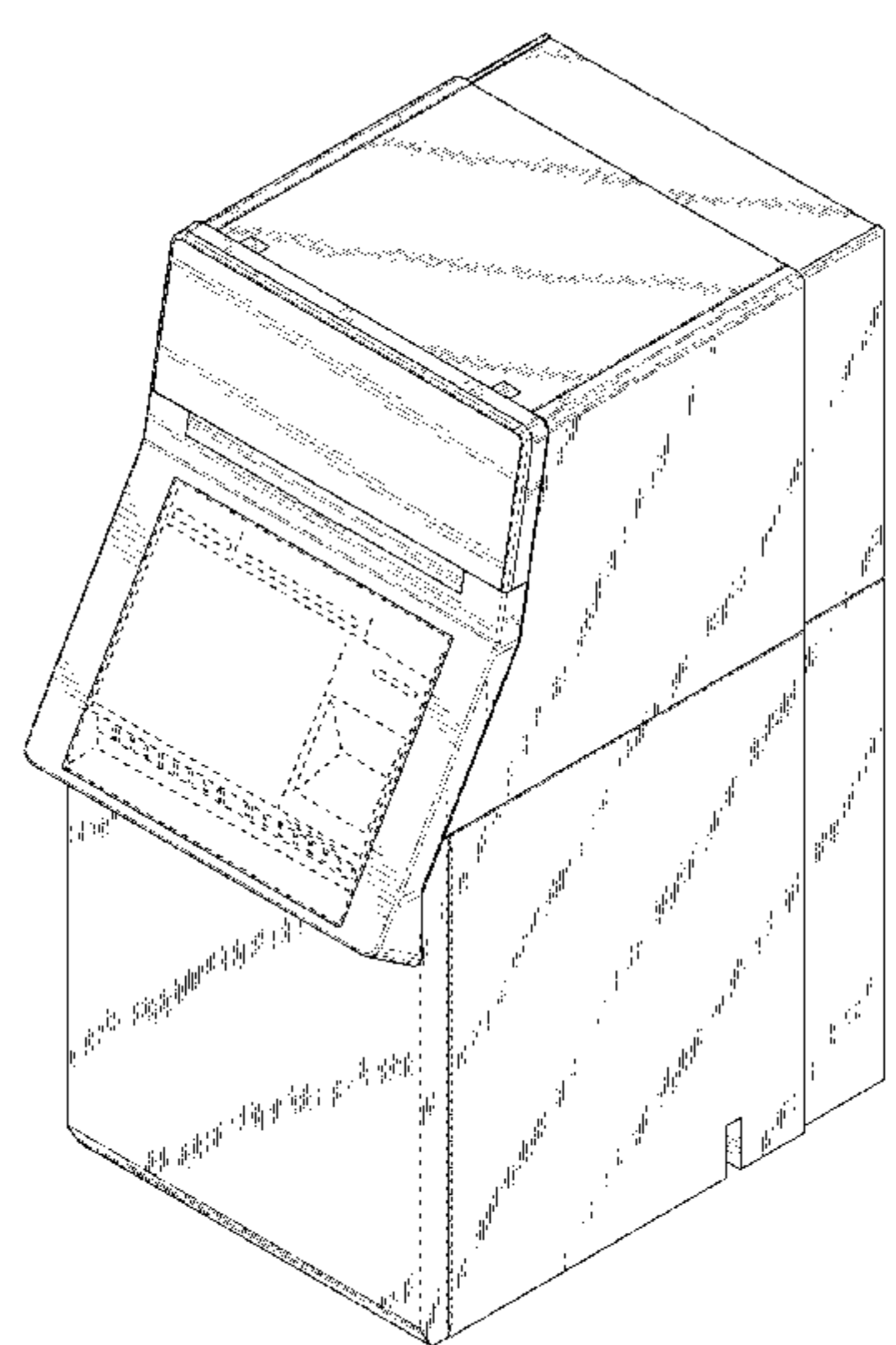
(57) **CLAIM**

The ornamental design for a self-service terminal, as shown and described.

DESCRIPTION

FIG. 1 is a perspective view of a self-service terminal showing our new design;
FIG. 2 is a right side view thereof;
FIG. 3 is a left side view thereof;
FIG. 4 is a front view thereof;
FIG. 5 is a rear view thereof;
FIG. 6 is a top view thereof; and,
FIG. 7 is a bottom view thereof.
The broken lines shown in the drawings represent portions of the self service terminal that form no part of the claimed design.

1 Claim, 7 Drawing Sheets



(56)

References Cited

U.S. PATENT DOCUMENTS

2008/0296365 A1* 12/2008 Schliebe G01G 19/52
235/379
2009/0057398 A1* 3/2009 Douglass G07F 19/20
235/379

* cited by examiner

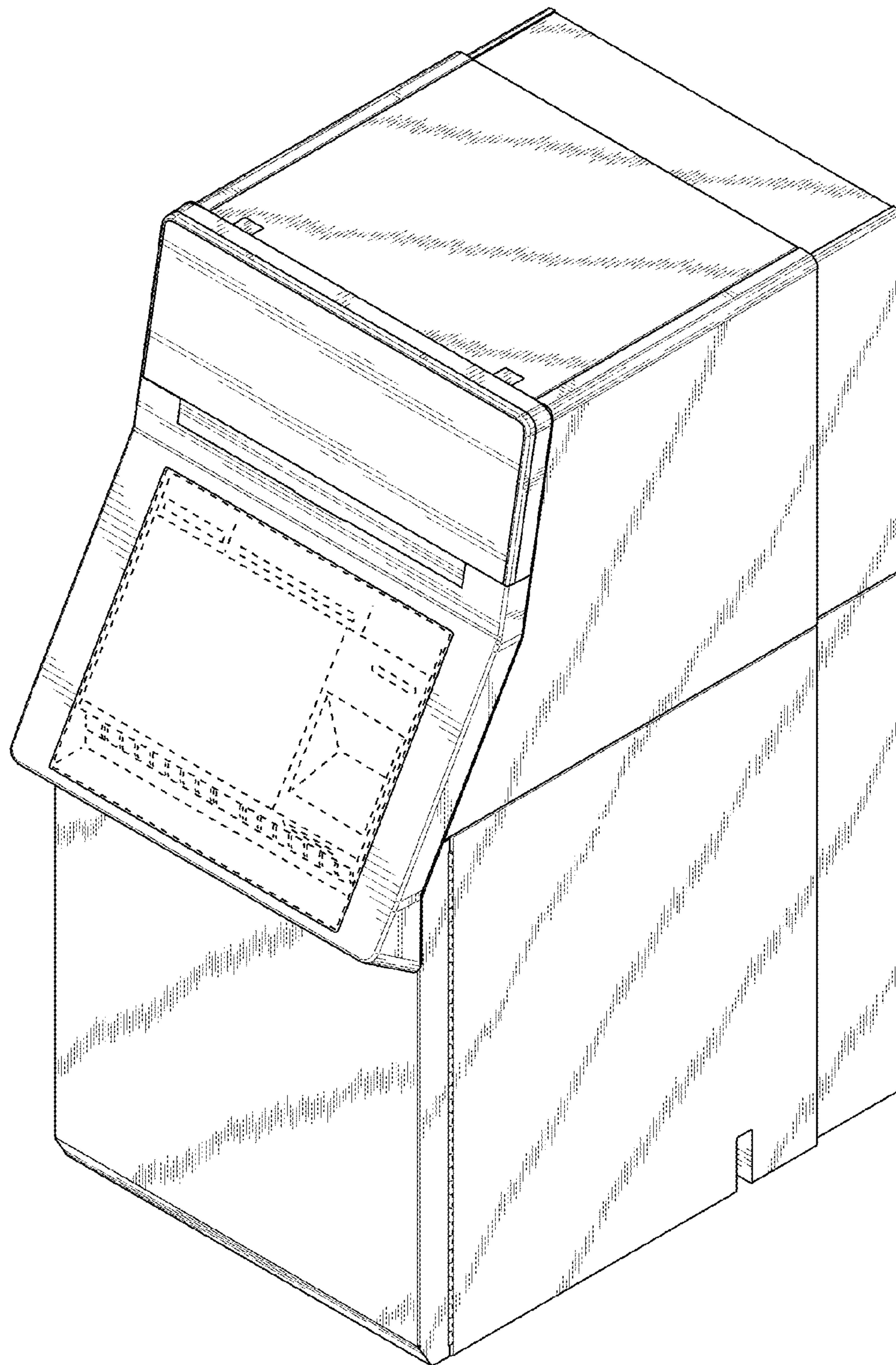


FIG. 1

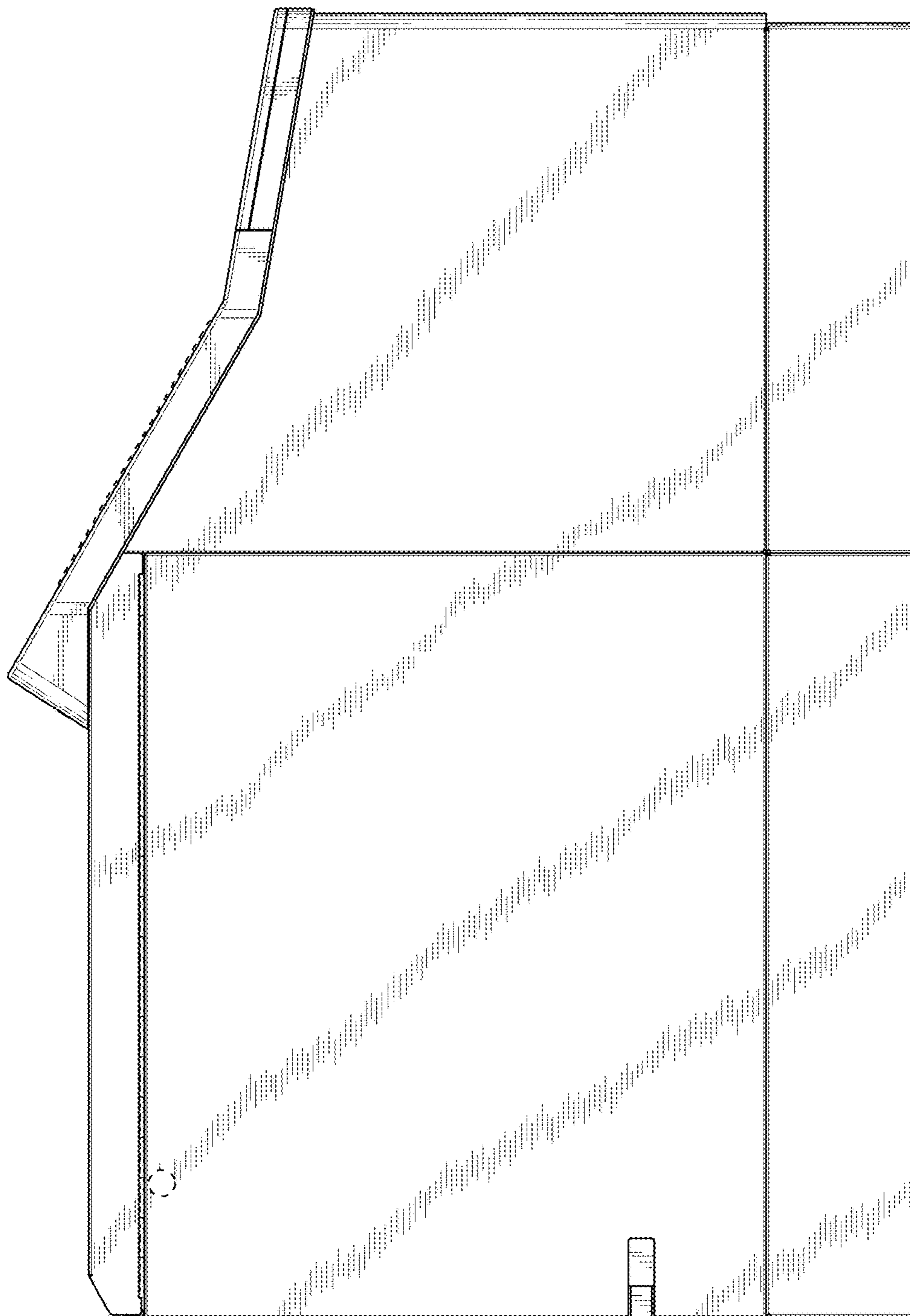


FIG. 2

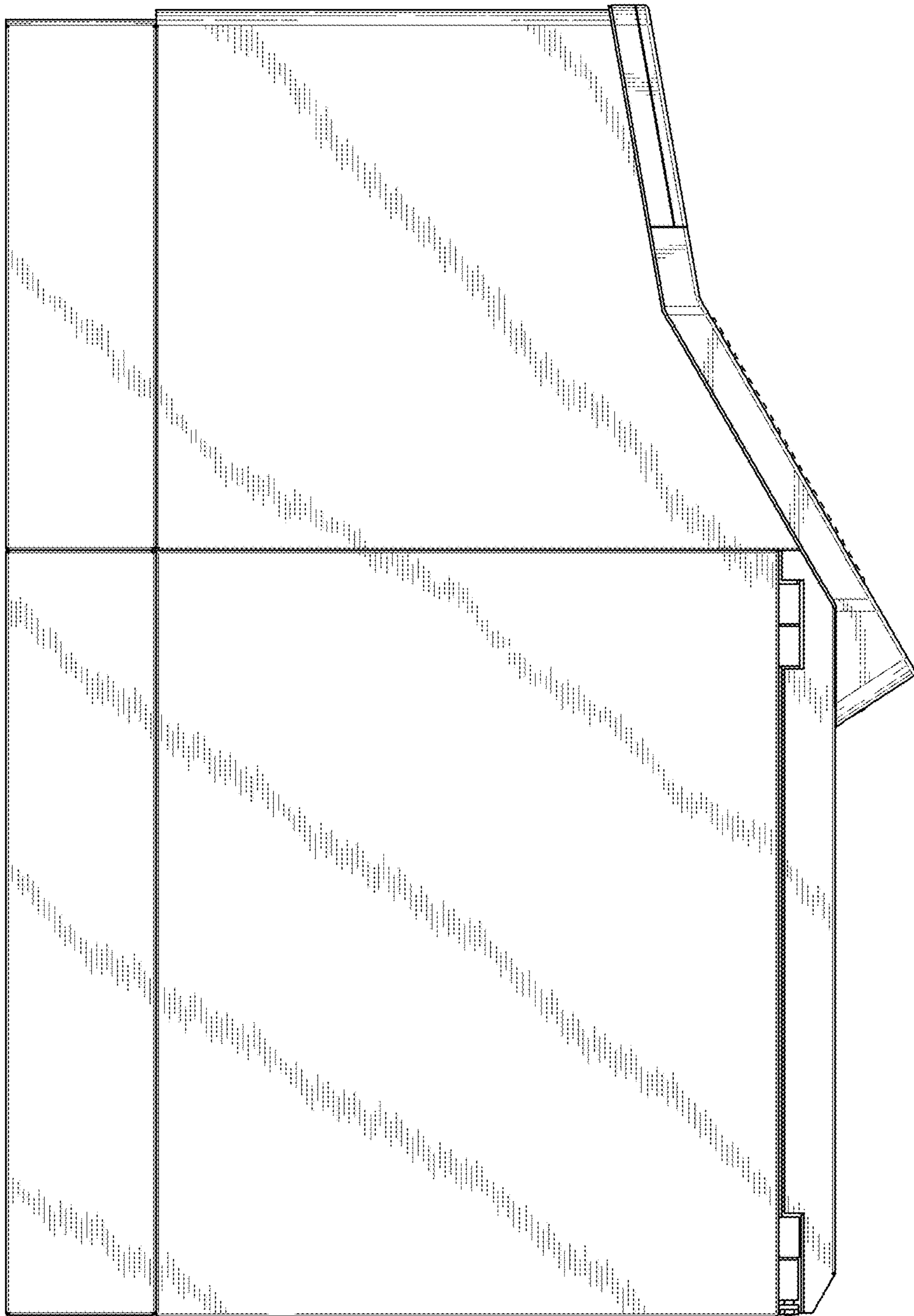


FIG. 3

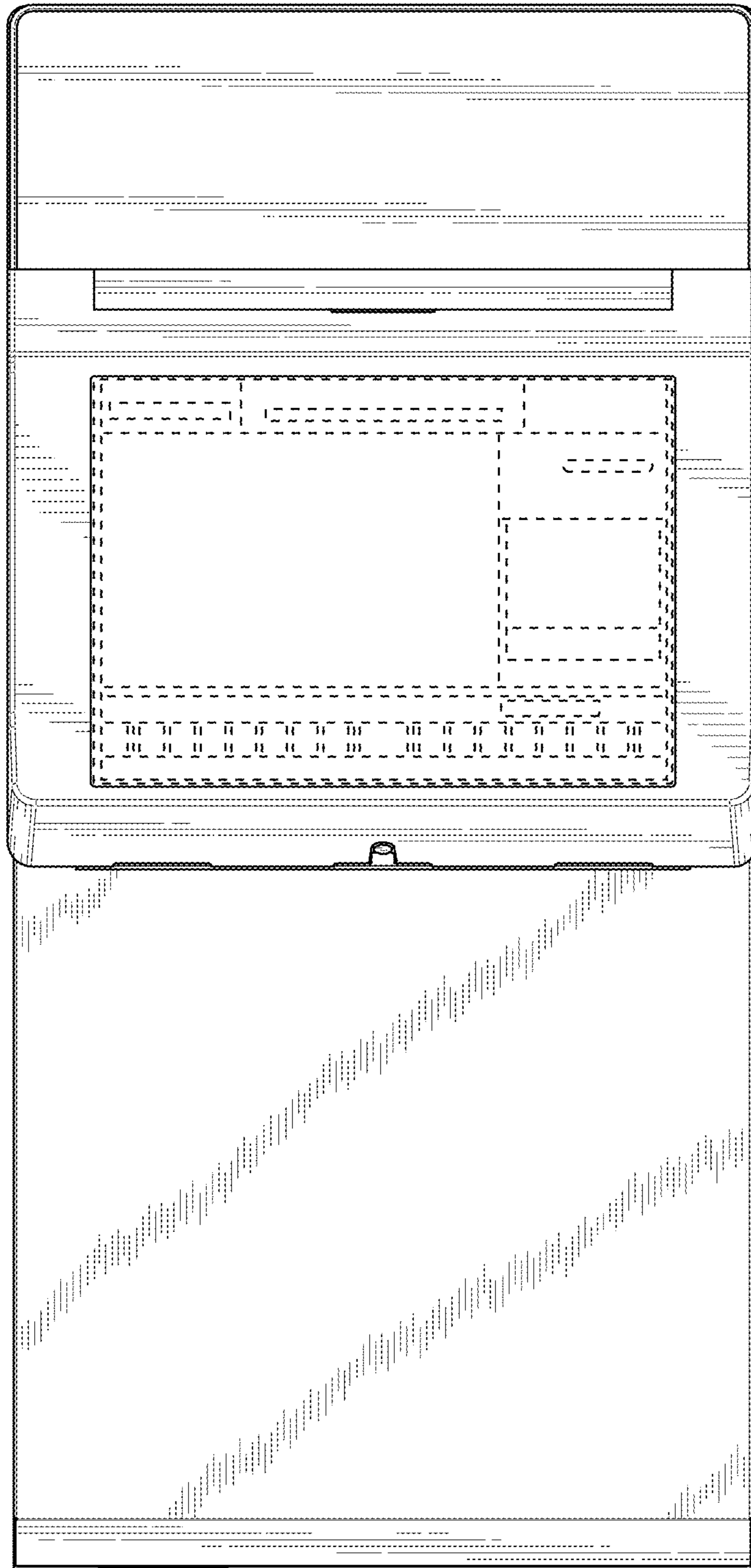


FIG. 4

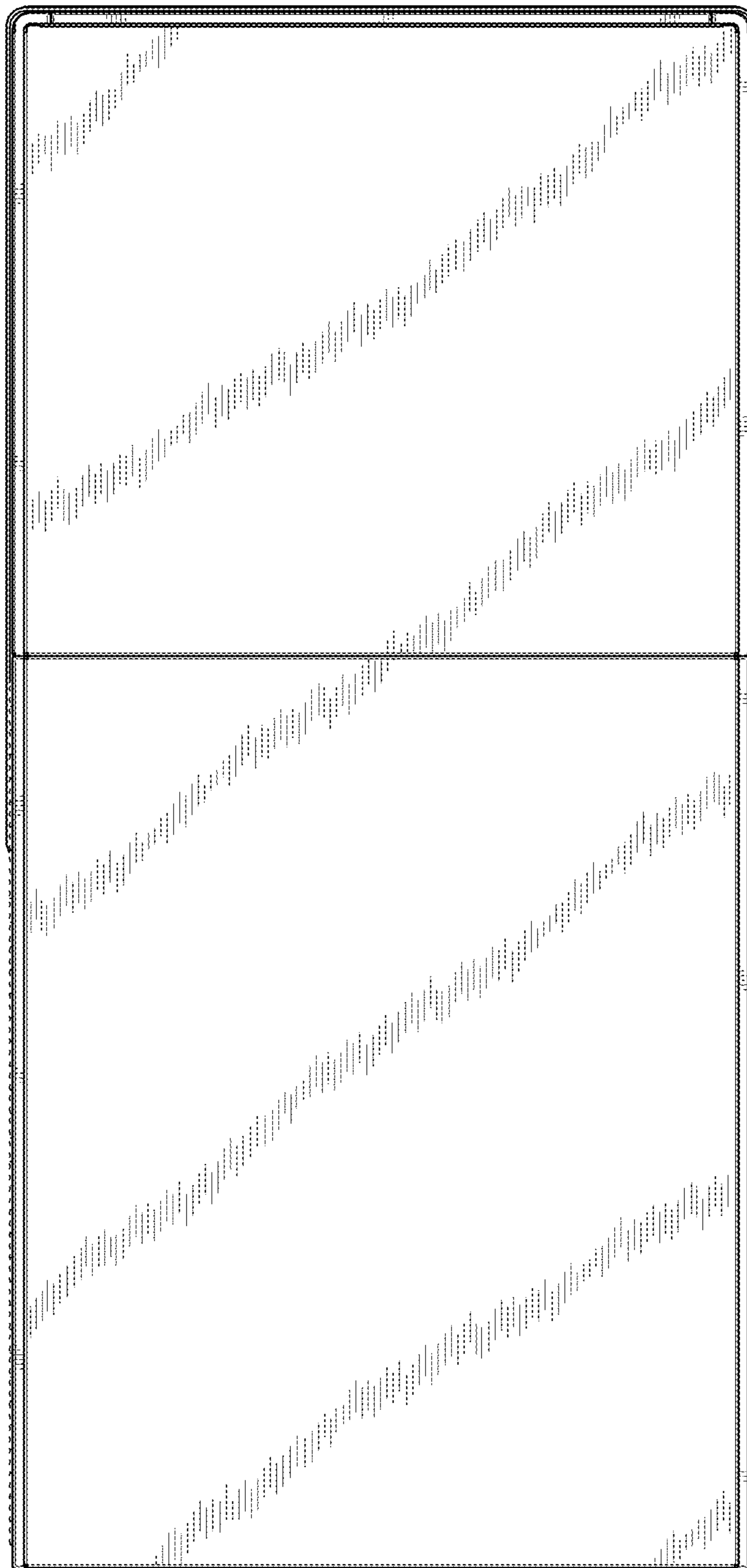


FIG. 5

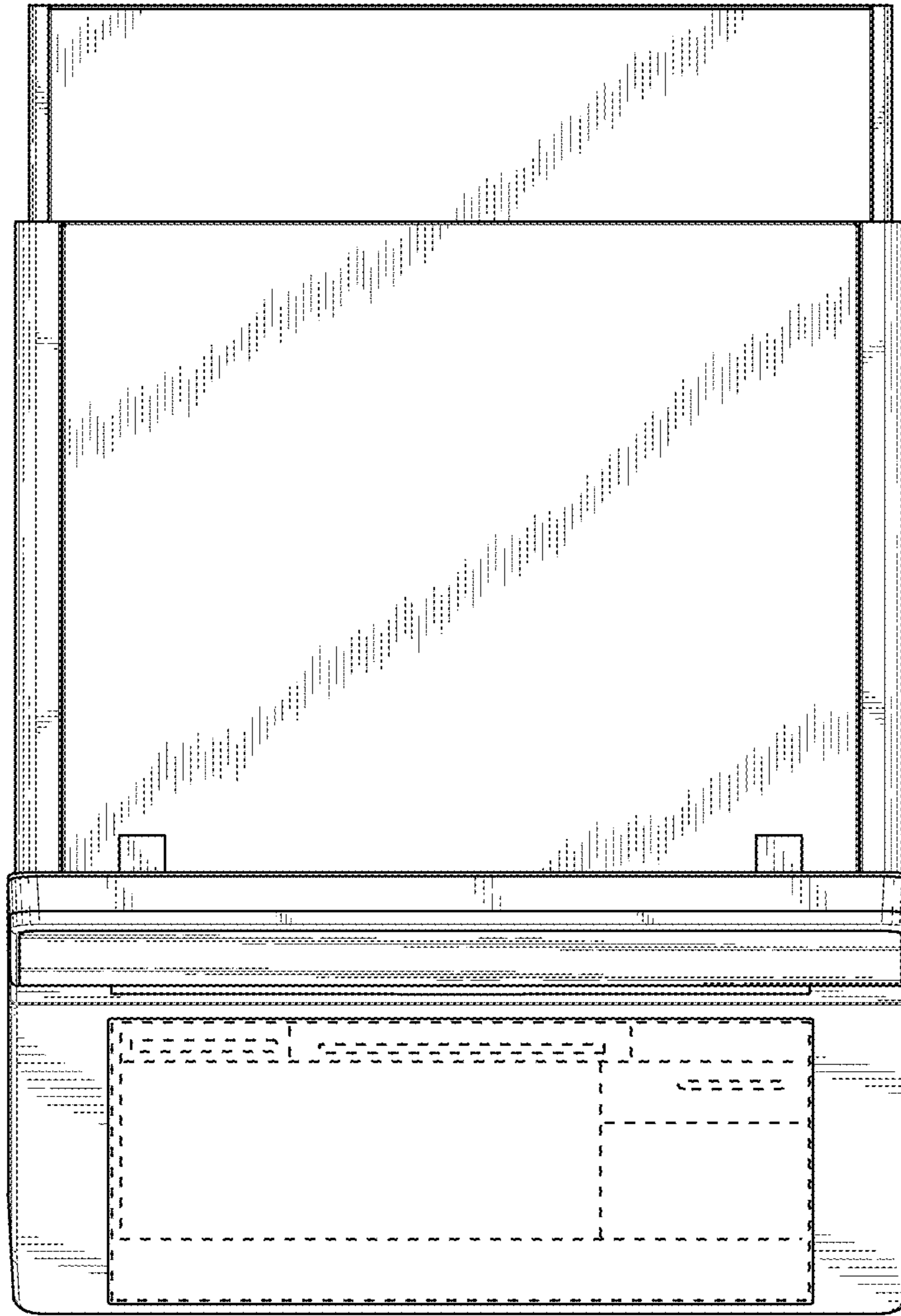


FIG. 6

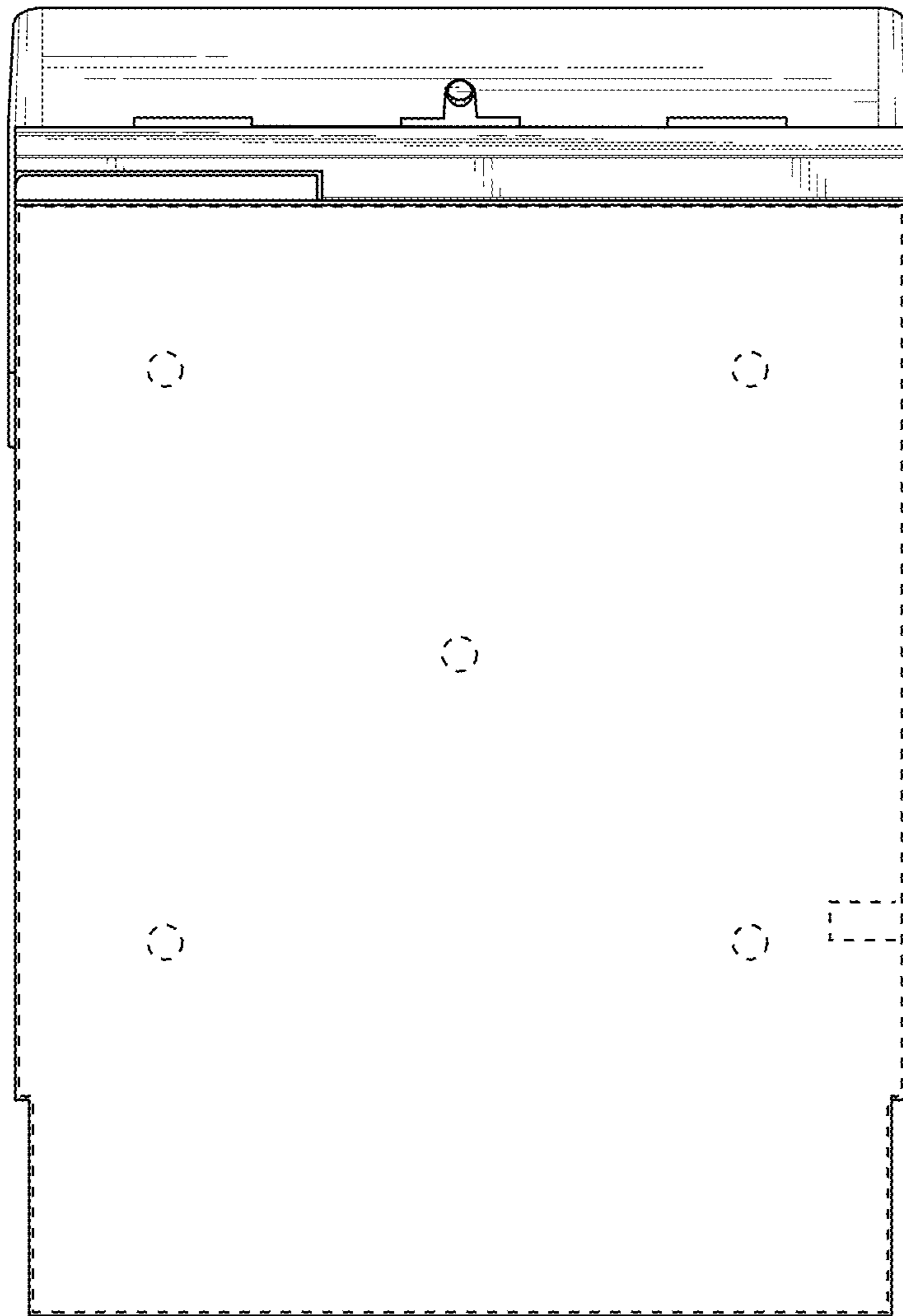


FIG. 7