



US00D806978S

(12) **United States Design Patent** (10) **Patent No.:** **US D806,978 S**  
**Gerlach et al.** (45) **Date of Patent:** **\*\* Jan. 2, 2018**

(54) **SELF-SERVICE TERMINAL**

(71) Applicant: **NCR Corporation**, Duluth, GA (US)

(72) Inventors: **Tim Gerlach**, Walnut Creek, CA (US);  
**Steven J. Birnie**, Dundee (GB);  
**Marshall Munro**, Dunfermline (GB);  
**Stephen W. Swaine**, Perthshire (GB)

(73) Assignee: **NCR Corporation**, Duluth, GA (US)

(\*\*) Term: **15 Years**

(21) Appl. No.: **29/586,514**

(22) Filed: **Dec. 5, 2016**

(51) **LOC (11) Cl.** ..... **99-00**

(52) **U.S. Cl.**  
USPC ..... **D99/28**

(58) **Field of Classification Search**  
USPC ..... D99/28, 34, 25, 26, 43, 99;  
D14/300-302, 305, 307, 900-902;  
D18/3.1-3.3, 4.1-4.6, 12.1-12.3;  
D21/324, 325, 329, 369, 370  
CPC ... G07B 1/00; G07B 1/02; G07B 1/04; G07B  
1/06; G07B 1/08; G07B 3/00; G07B  
3/02; G07B 3/04; G07B 5/00; E05B  
65/0075; E05G 1/00; E05G 1/005; E05G  
1/02; E05G 1/024; E05G 5/00; E05G  
5/003; E05G 5/006; E05G 5/02; E05G  
7/00; E05G 7/001; E05G 2700/00; E05G  
2700/02; G07F 19/00; G07F 19/20; G07F  
19/201; G07F 19/202; G07F 19/203;  
G07F 19/204; G07F 19/205; G07D 11/00;  
G07D 11/0021; G07D 2201/00  
See application file for complete search history.

D492,080 S \* 6/2004 Magee ..... D99/28  
D530,880 S \* 10/2006 Magee ..... D99/28  
D540,004 S \* 4/2007 Kang ..... D99/28  
D596,374 S \* 7/2009 Kang ..... D99/28  
D625,305 S \* 10/2010 Bleck ..... D14/307  
D629,585 S \* 12/2010 Bleck ..... D14/307  
D645,223 S \* 9/2011 Bleck ..... D14/307  
D674,985 S \* 1/2013 Lee ..... D14/900  
D682,504 S \* 5/2013 Lee ..... D14/900  
D716,515 S \* 10/2014 Cha ..... D99/28  
D724,812 S \* 3/2015 Cha ..... D99/28  
D743,956 S \* 11/2015 Kraft ..... D14/307  
D769,570 S \* 10/2016 Kraft ..... D99/28  
D769,571 S \* 10/2016 Lee ..... D99/28  
D769,572 S \* 10/2016 Park ..... D99/28  
2004/0262379 A1 \* 12/2004 Gomes ..... G06Q 30/06  
235/379  
2005/0029340 A1 \* 2/2005 Ferraro ..... G07F 7/00  
235/379

(Continued)

*Primary Examiner* — Elizabeth J Oswecki  
(74) *Attorney, Agent, or Firm* — Paul W. Martin

(57) **CLAIM**

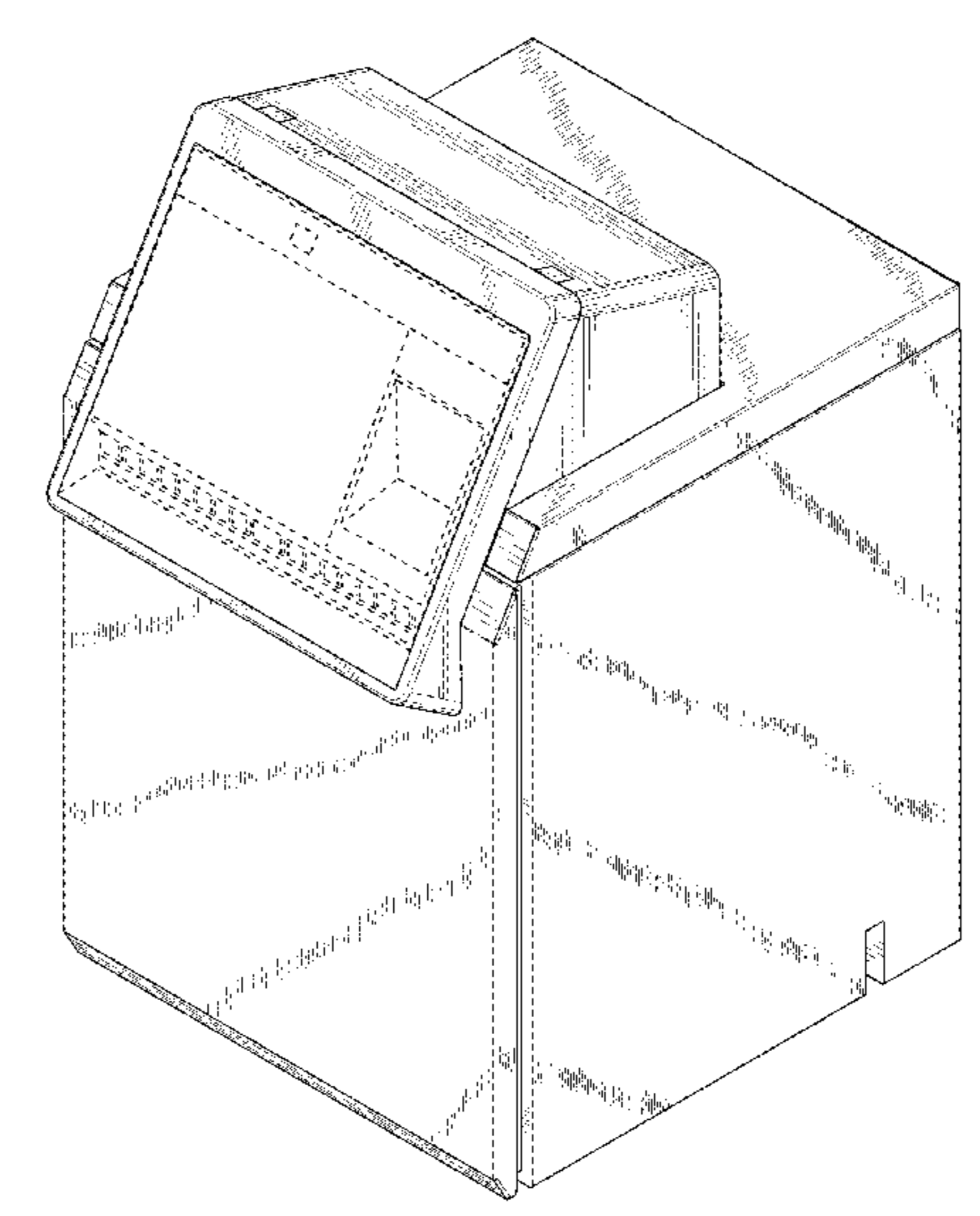
The ornamental design for a self-service terminal, as shown and described.

**DESCRIPTION**

FIG. 1 is a perspective view of a self-service terminal showing our new design;  
FIG. 2 is a right side view thereof;  
FIG. 3 is a left side view;  
FIG. 4 is a front view;  
FIG. 5 is a rear view thereof;  
FIG. 6 is a top view thereof; and,  
FIG. 7 is a bottom view thereof.  
The broken lines shown in the drawings represent portions of the self service terminal that form no part of the claimed design.

(56) **References Cited**  
U.S. PATENT DOCUMENTS  
D318,553 S \* 7/1991 Brown ..... D99/28  
D454,421 S \* 3/2002 Jeon ..... D18/3.3

**1 Claim, 7 Drawing Sheets**



(56)

**References Cited**

U.S. PATENT DOCUMENTS

2008/0296365 A1\* 12/2008 Schliebe ..... G01G 19/52  
235/379  
2009/0057398 A1\* 3/2009 Douglass ..... G07F 19/20  
235/379

\* cited by examiner

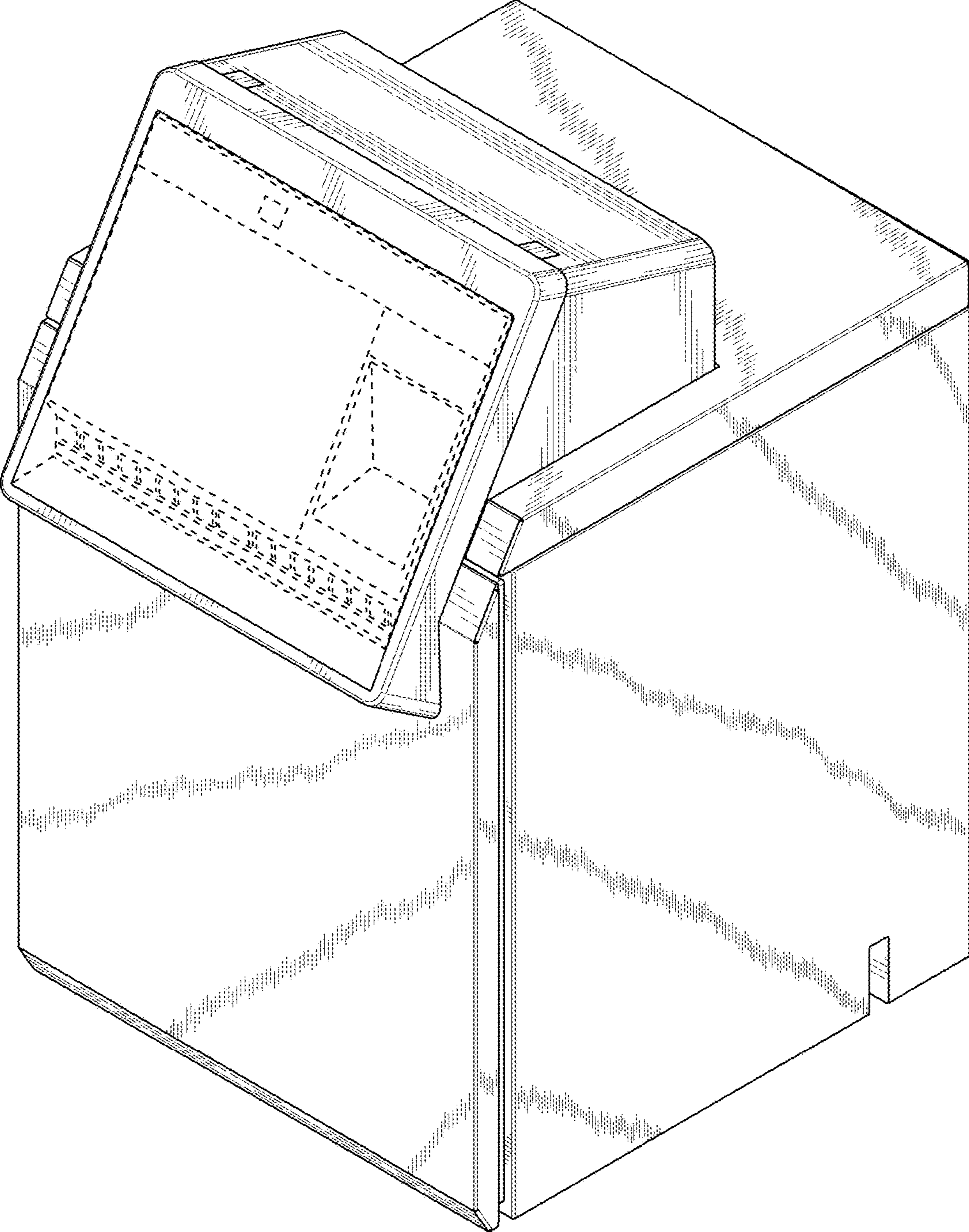


FIG. 1

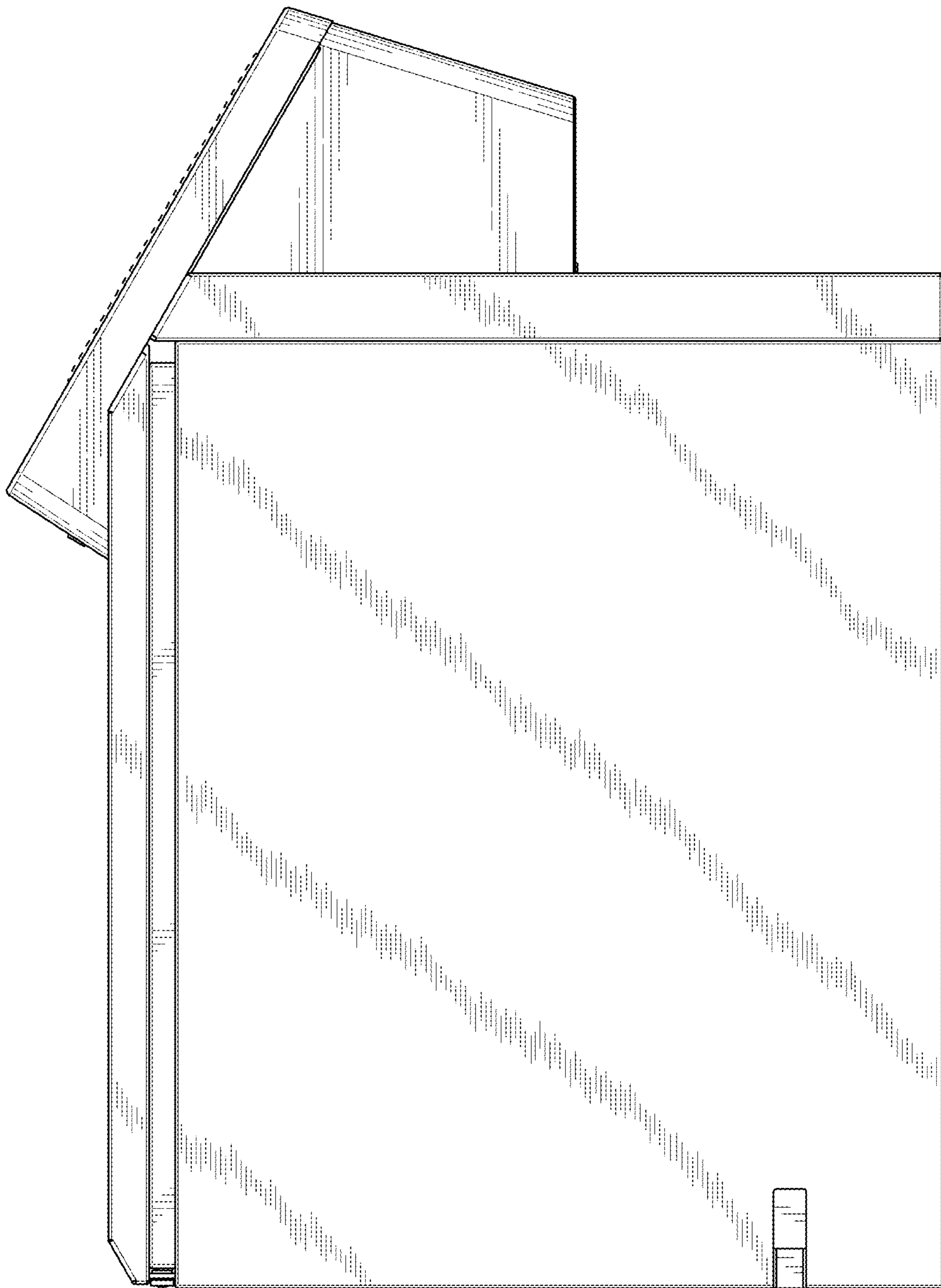


FIG. 2

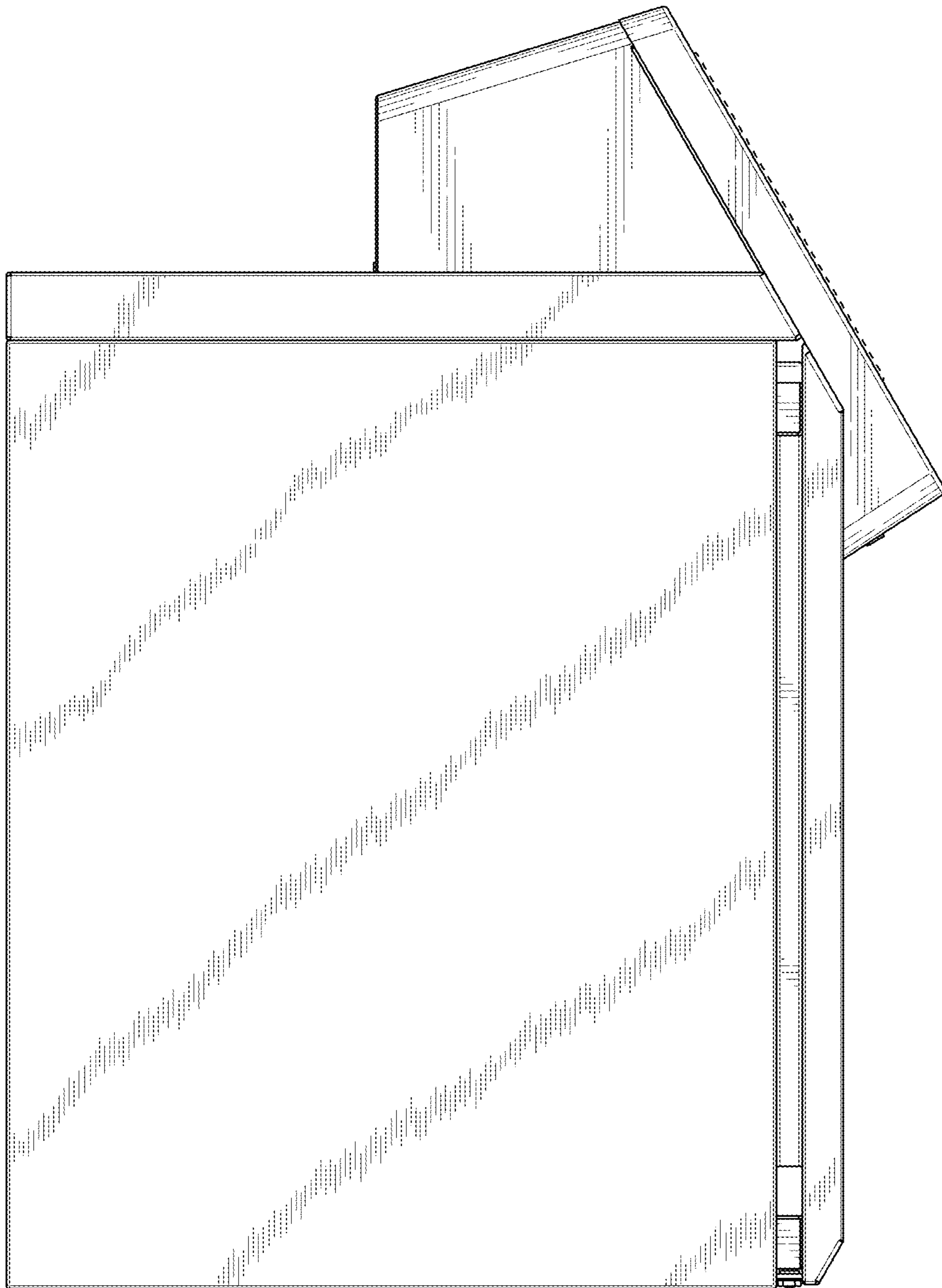


FIG. 3

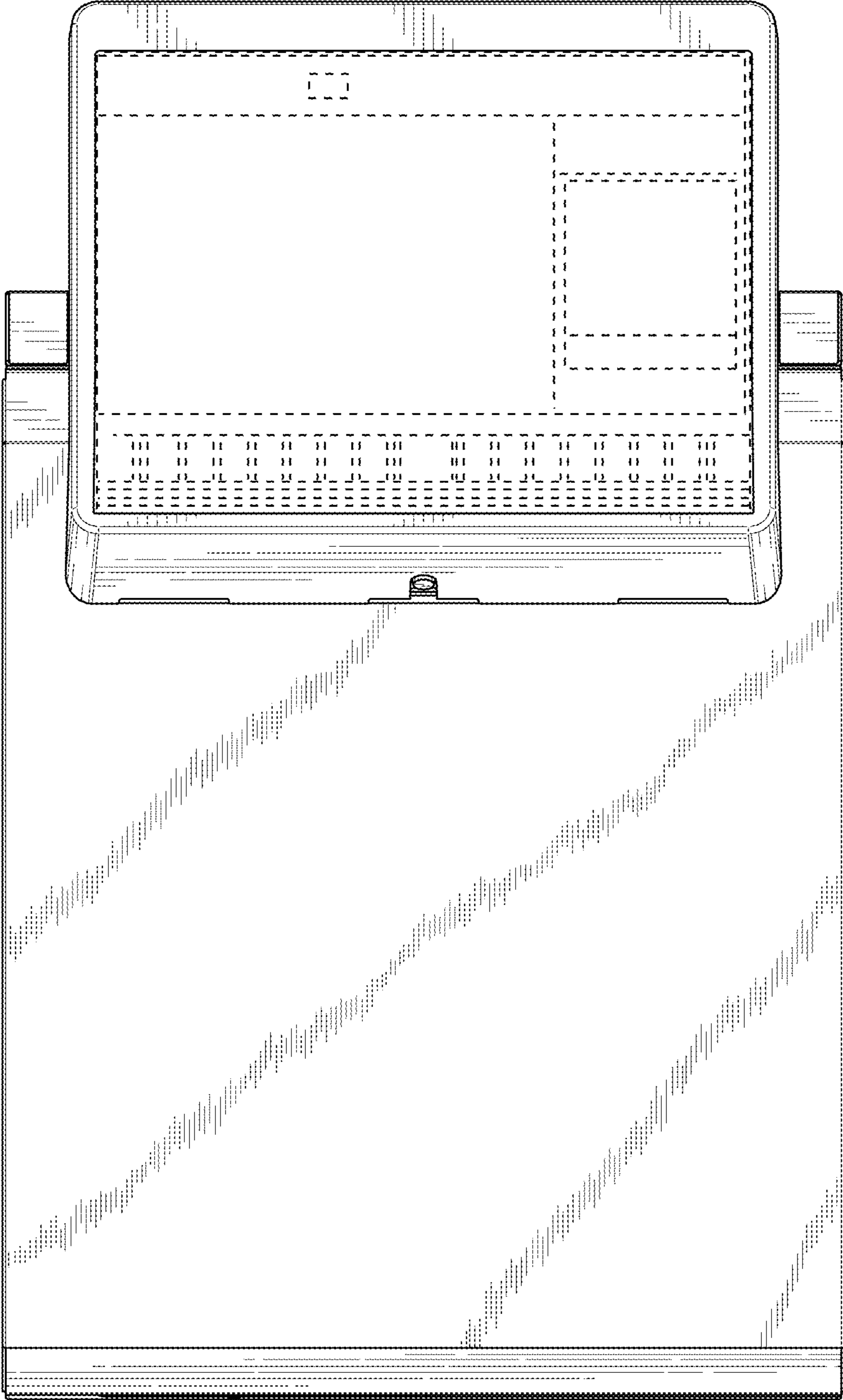


FIG. 4

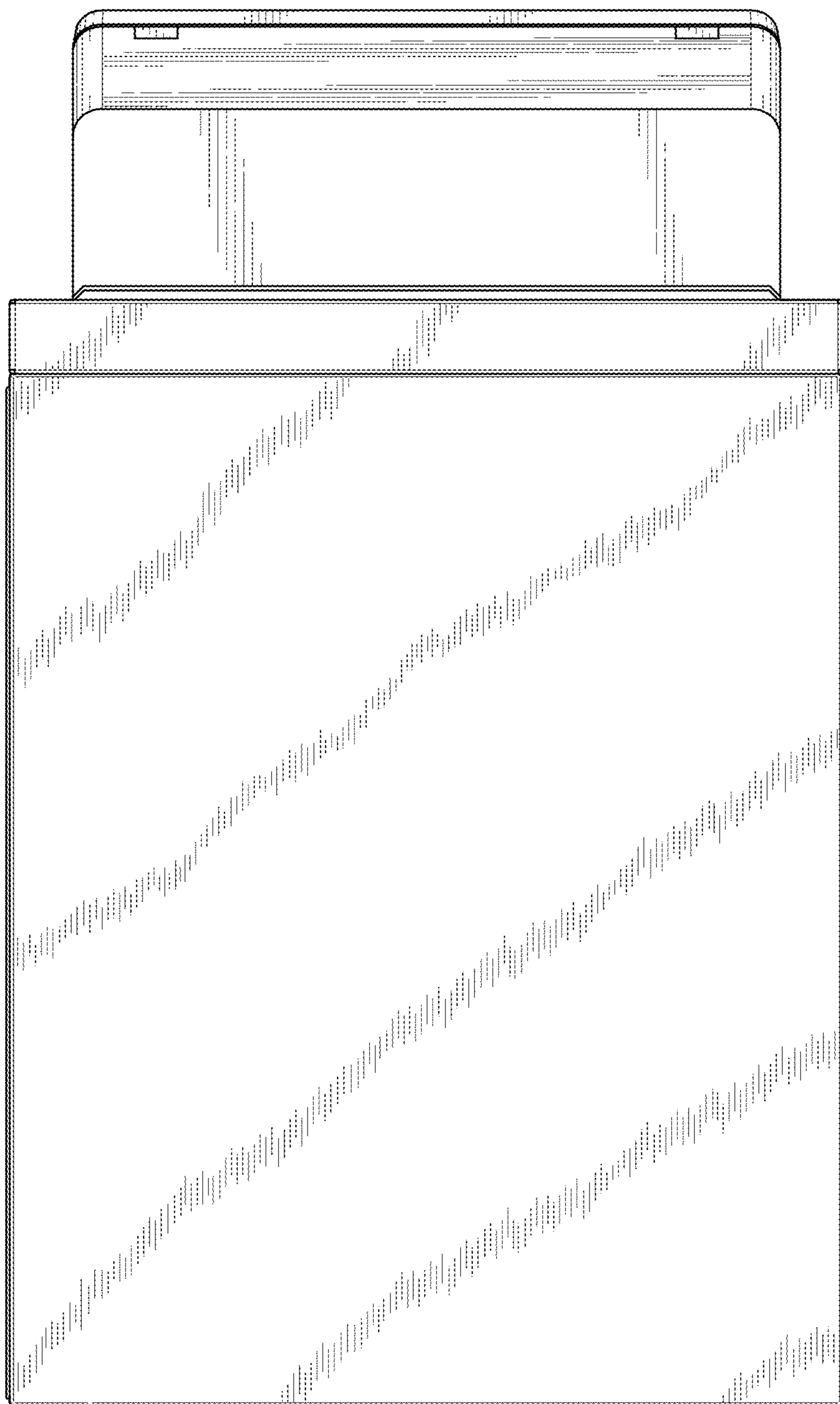


FIG. 5

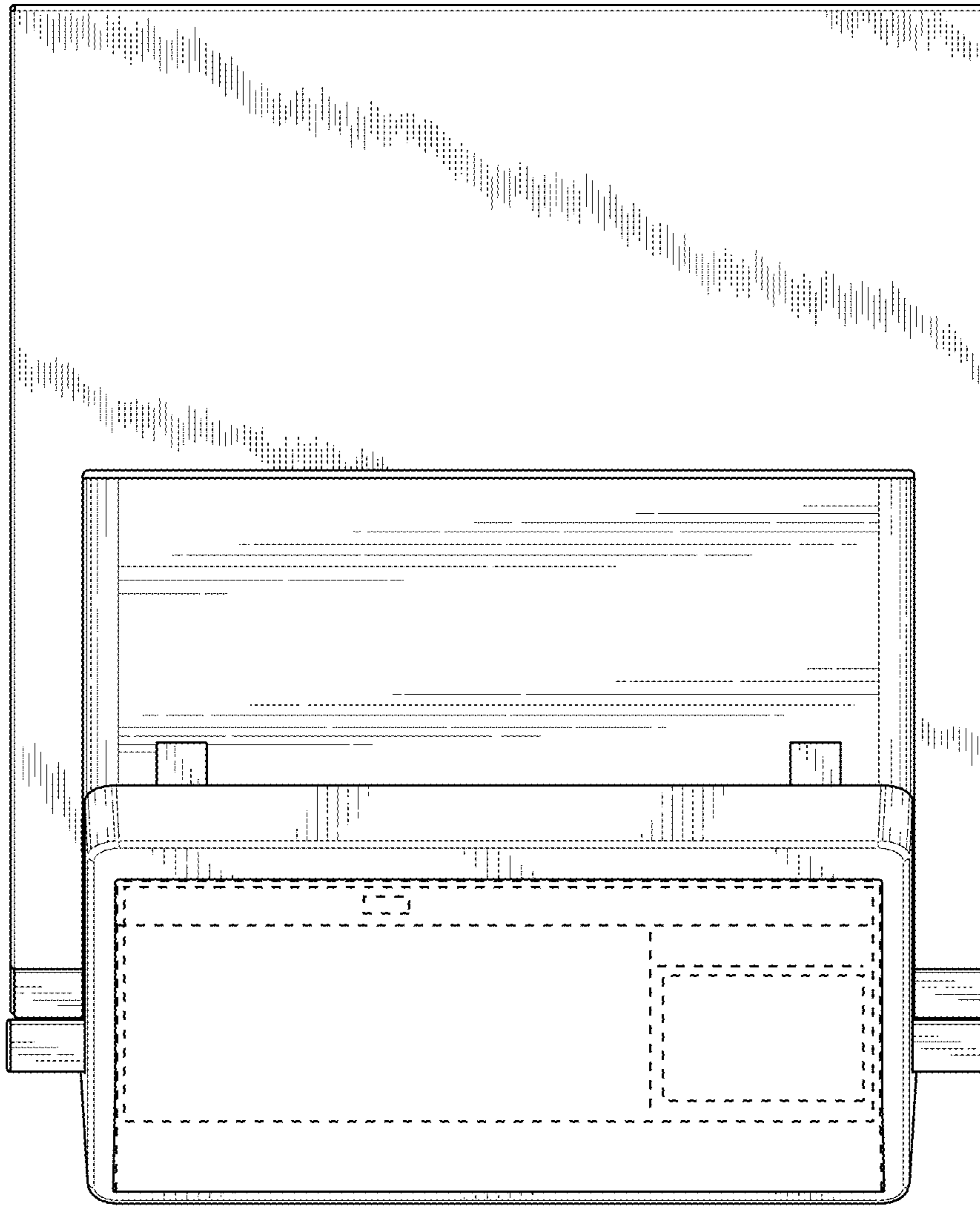


FIG. 6



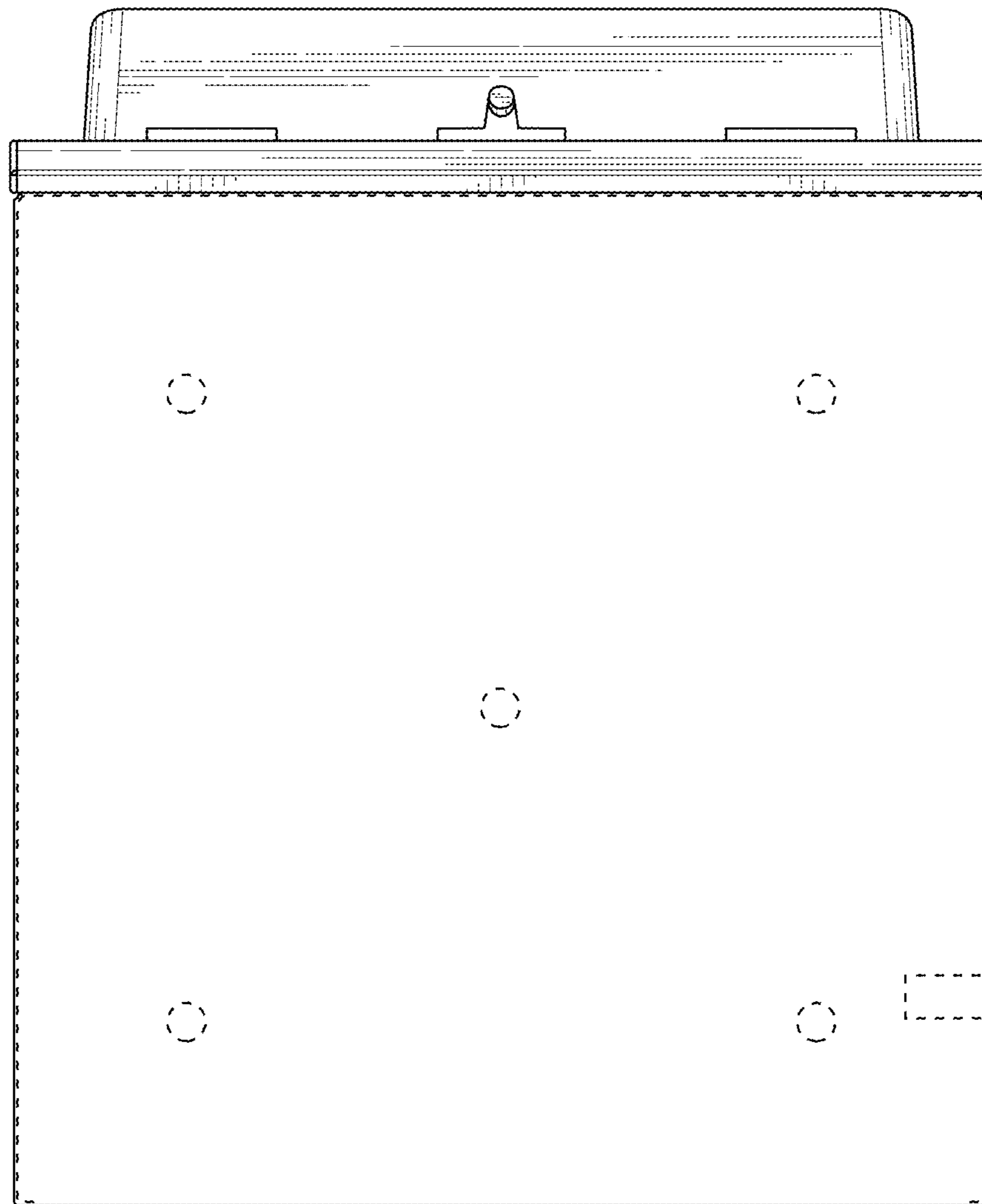


FIG. 7