



US00D806977S

(12) **United States Design Patent**
Green et al.

(10) **Patent No.:** **US D806,977 S**
(45) **Date of Patent:** **** Jan. 2, 2018**

- (54) **INVENTORY PROCESSING CART**
- (71) Applicant: **Wal-Mart Stores, Inc.**, Bentonville, AR (US)
- (72) Inventors: **Jeffrey Green**, Bentonville, AR (US);
Jesse Ashley, Rogers, AR (US)
- (73) Assignee: **WAL-MART STORES, INC.**, Bentonville, AR (US)

D640,437 S *	6/2011	Opsahl	D34/19
8,167,322 B2 *	5/2012	Greene	B62B 3/104 280/47.24
D667,602 S *	9/2012	Salmon	D34/20
D703,904 S *	4/2014	Knoll	D34/20
8,950,671 B2	2/2015	Chan et al.	
8,967,632 B1 *	3/2015	Gunsallus	B62B 3/005 280/33.991
9,090,276 B1	7/2015	Ihrke et al.	
9,292,853 B2	3/2016	Ascarrunz et al.	

(Continued)

(**) Term: **15 Years**

(21) Appl. No.: **29/574,939**

(22) Filed: **Aug. 19, 2016**

(51) **LOC (11) Cl.** **12-02**

(52) **U.S. Cl.**
USPC **D34/27**

(58) **Field of Classification Search**
USPC D34/12, 13, 14, 15, 16, 17, 18, 19, 20,
D34/21, 22, 23, 24, 25, 26, 27; 180/20;
280/647, 33.997, 47.19, 47.24, 47.27,
280/47.29, 79.11, 47.34, 47.35, 47.38,
280/33.996, 33.991, 33.992, 33.995, 79.2,
280/651, 659, 79.3, 638, 639; D12/129;
312/249.11, 249.1

CPC B62B 3/008; B62B 3/1476; B62B 2205/33
See application file for complete search history.

(56) **References Cited**

U.S. PATENT DOCUMENTS

D152,249 S *	1/1949	Fox	D34/21
5,333,885 A *	8/1994	Pullman	B62B 1/10 D34/25
5,427,394 A *	6/1995	Lauto	B62B 3/02 D34/20
D371,663 S *	7/1996	Muller-Deisig	D34/24
D461,941 S *	8/2002	Underbrink	D34/14
D510,168 S *	9/2005	Lovegrove	D34/17
7,318,529 B2	1/2008	Mallett et al.	

OTHER PUBLICATIONS

Examiner's Report in counterpart Canadian Patent Application No. 169962, dated Nov. 29, 2016; 1 page.

(Continued)

Primary Examiner — Cynthia Ramirez

Assistant Examiner — Michael Maharajh

(74) *Attorney, Agent, or Firm* — Schmeiser, Olsen & Watts LLP

(57) **CLAIM**

The ornamental design for an inventory processing cart, as shown and described.

DESCRIPTION

FIG. 1 is a front perspective view of an inventory processing cart, showing our new design;

FIG. 2 is a rear, perspective view thereof;

FIG. 3 is a left side view thereof;

FIG. 4 is a right side view thereof;

FIG. 5 is a front view thereof;

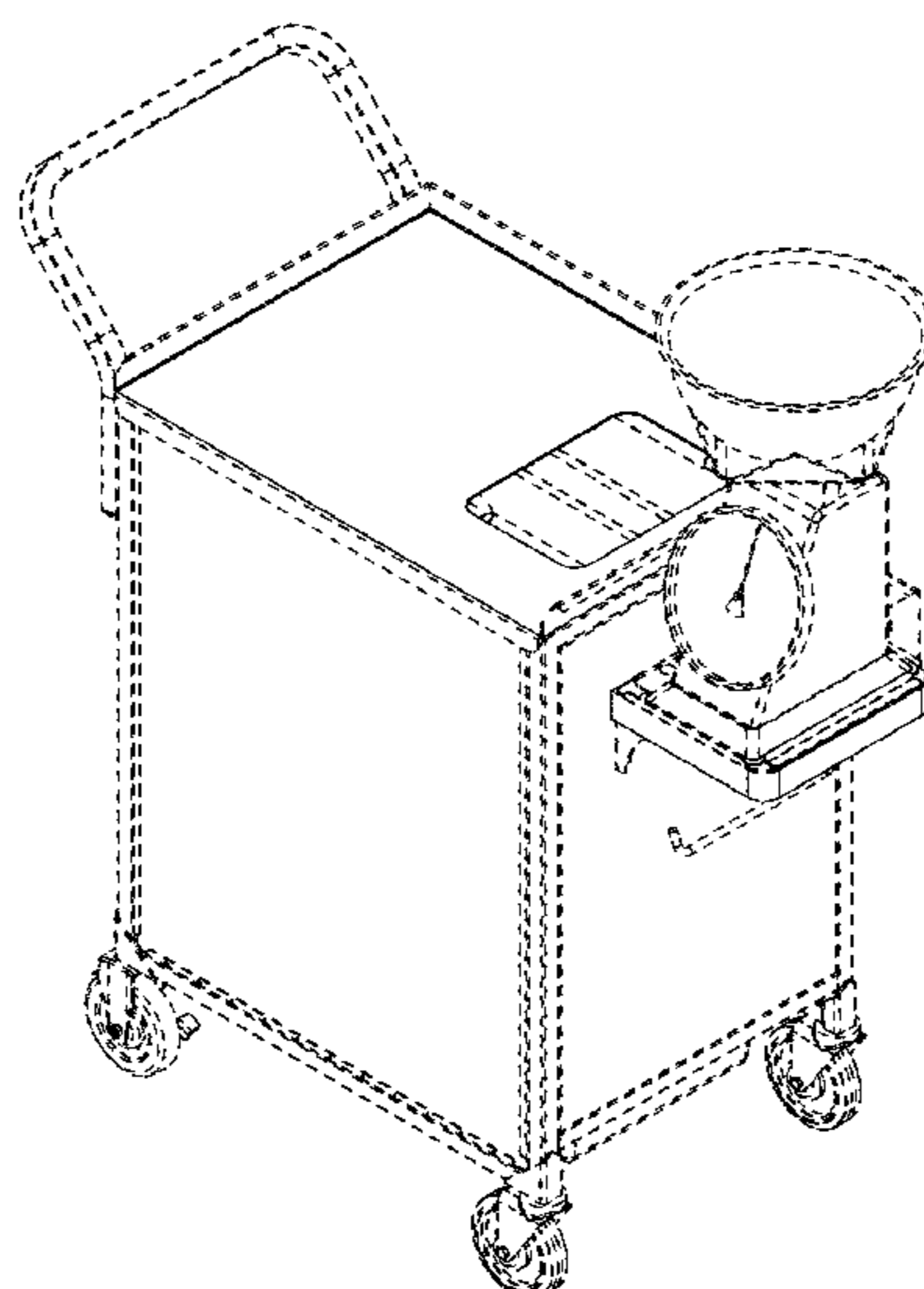
FIG. 6 is a rear view thereof;

FIG. 7 is a top view thereof; and,

FIG. 8 is a bottom view thereof.

The broken lines shown in the figures are for the purpose of illustrating portions of the inventory processing cart and form no part of the claimed design.

1 Claim, 8 Drawing Sheets



(56)

References Cited

U.S. PATENT DOCUMENTS

D763,534 S * 8/2016 Liao D34/21
2005/0146103 A1 7/2005 Lampe
2013/0332322 A1 12/2013 Perkins et al.

OTHER PUBLICATIONS

Karst, Tom, "Wal-Mart's carts—will they engage consumers in the produce department?", The Packer.com, Farm Journal Inc., Jul. 12, 2016; 2 pages.

"Phlebotomy Trolley", Medstore.ie, Medstore Medical, accessed Aug. 8, 2016; 6 pages.

* cited by examiner

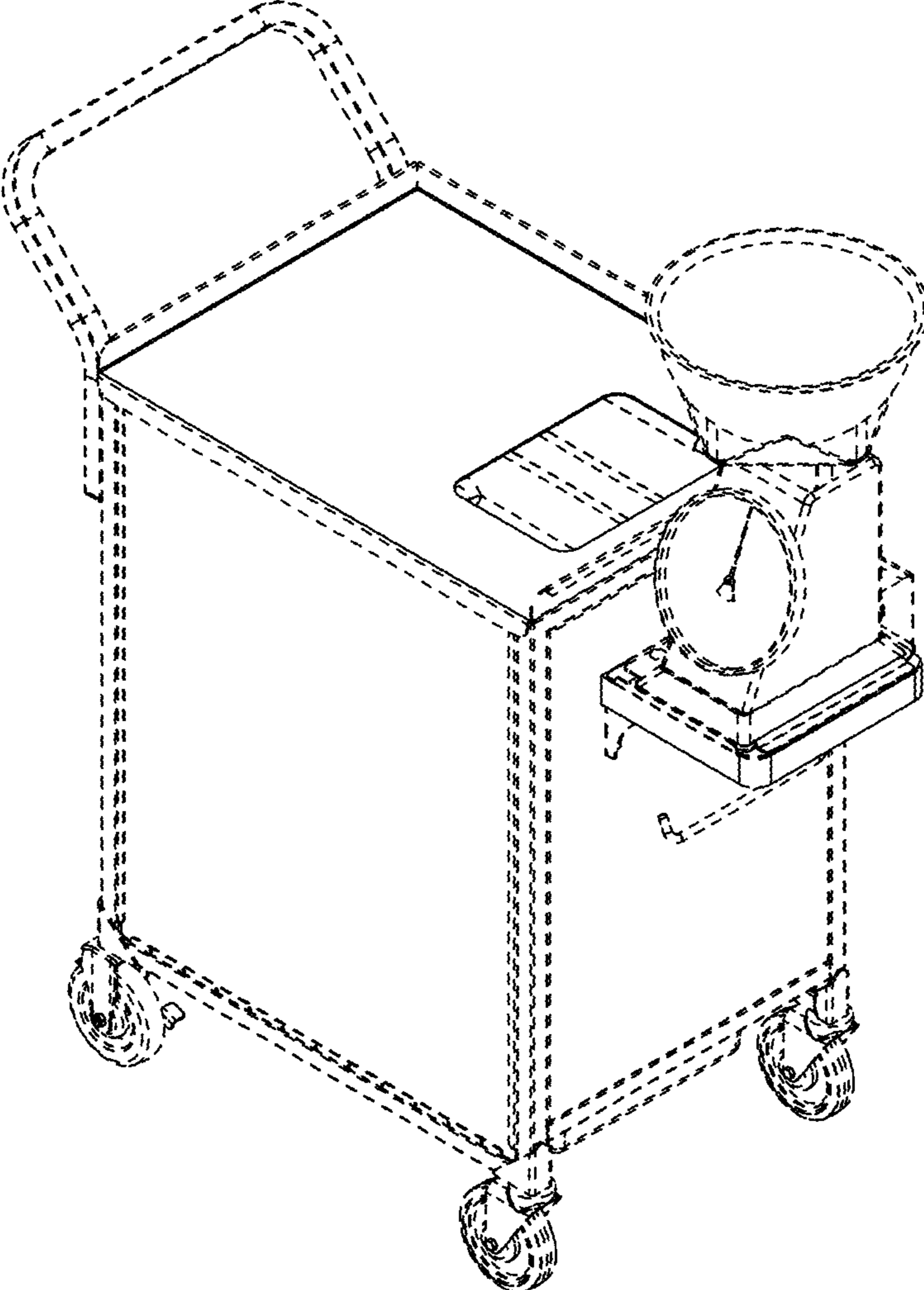


FIG. 1

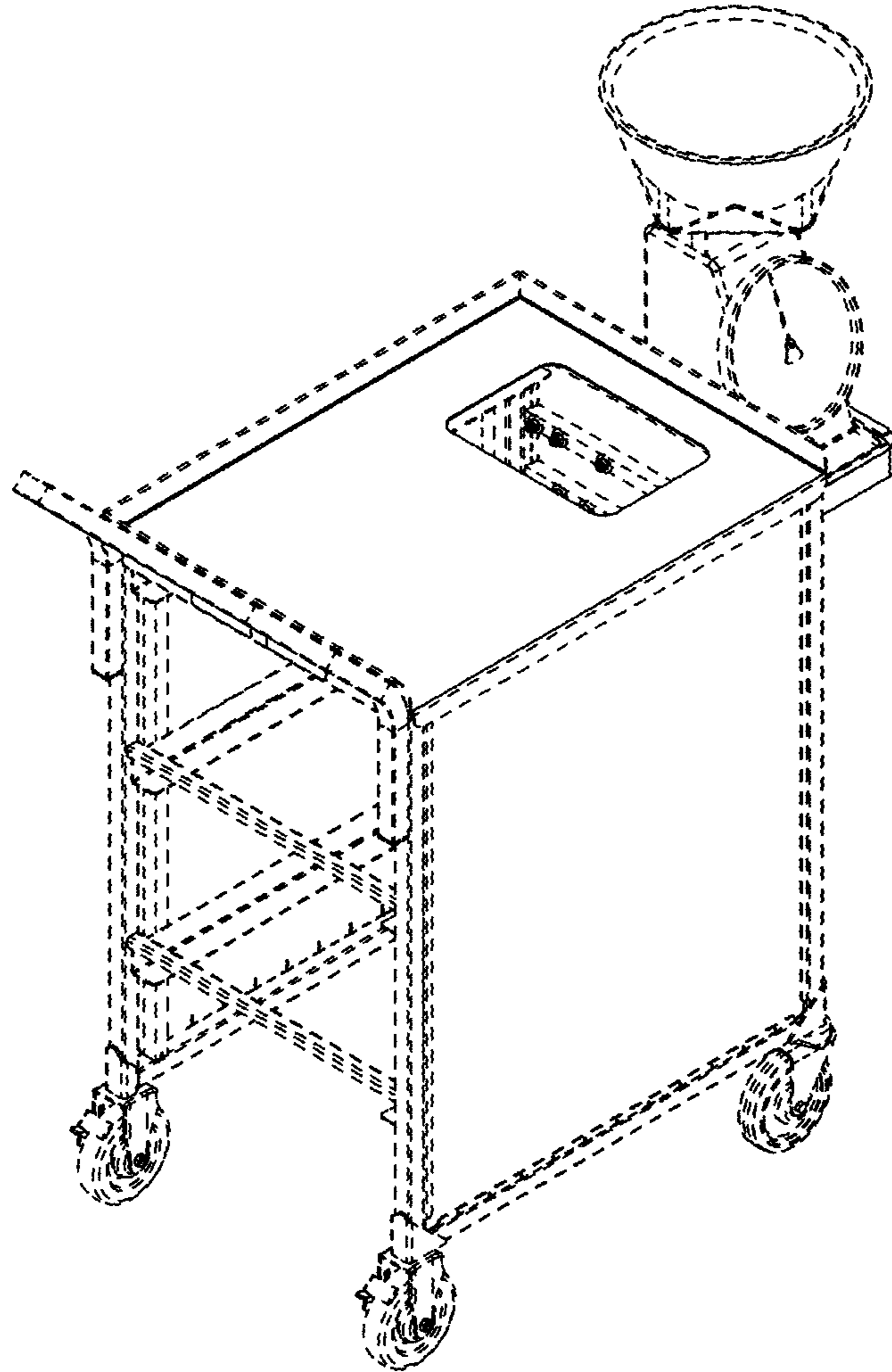


FIG. 2

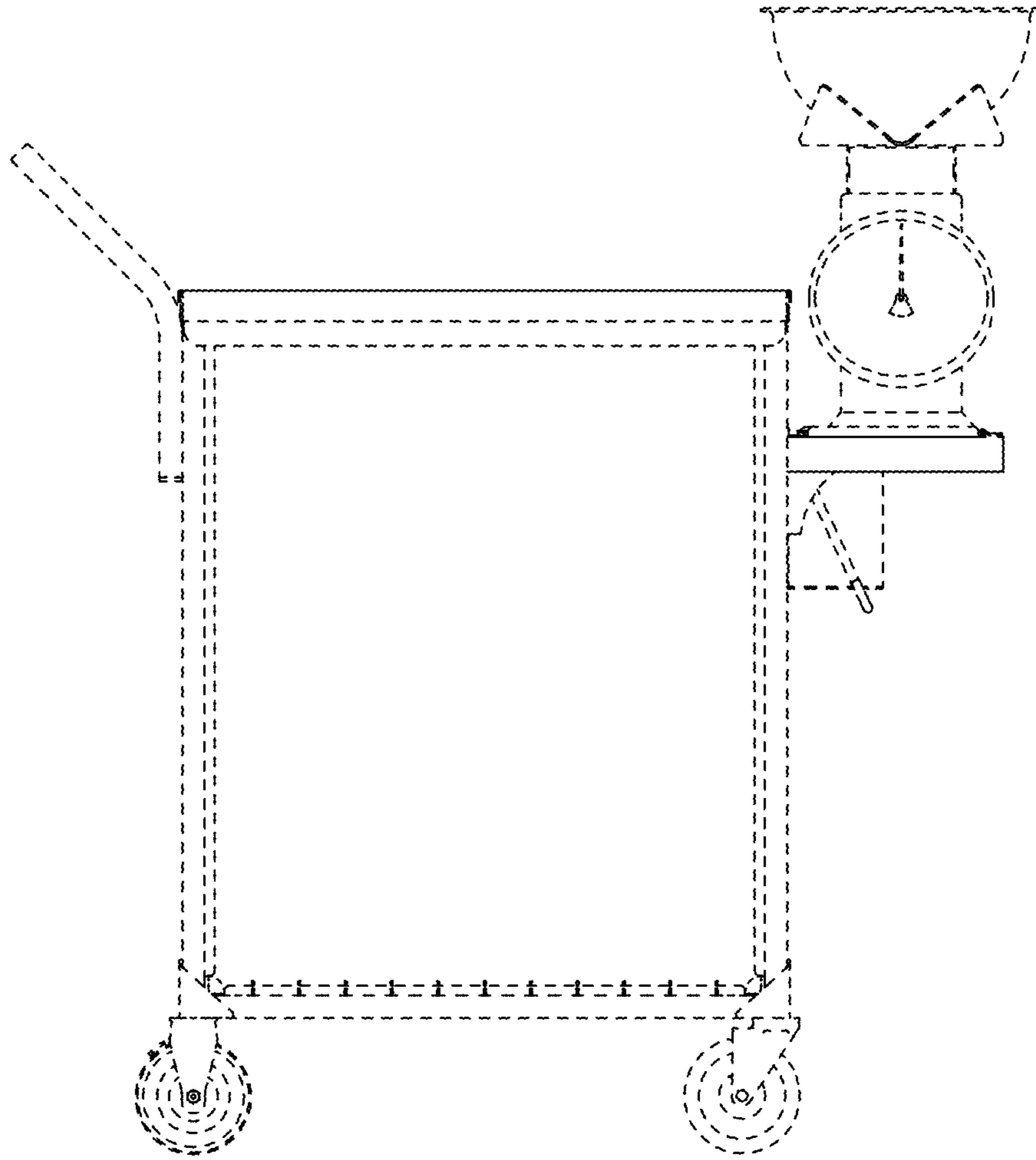


FIG. 3

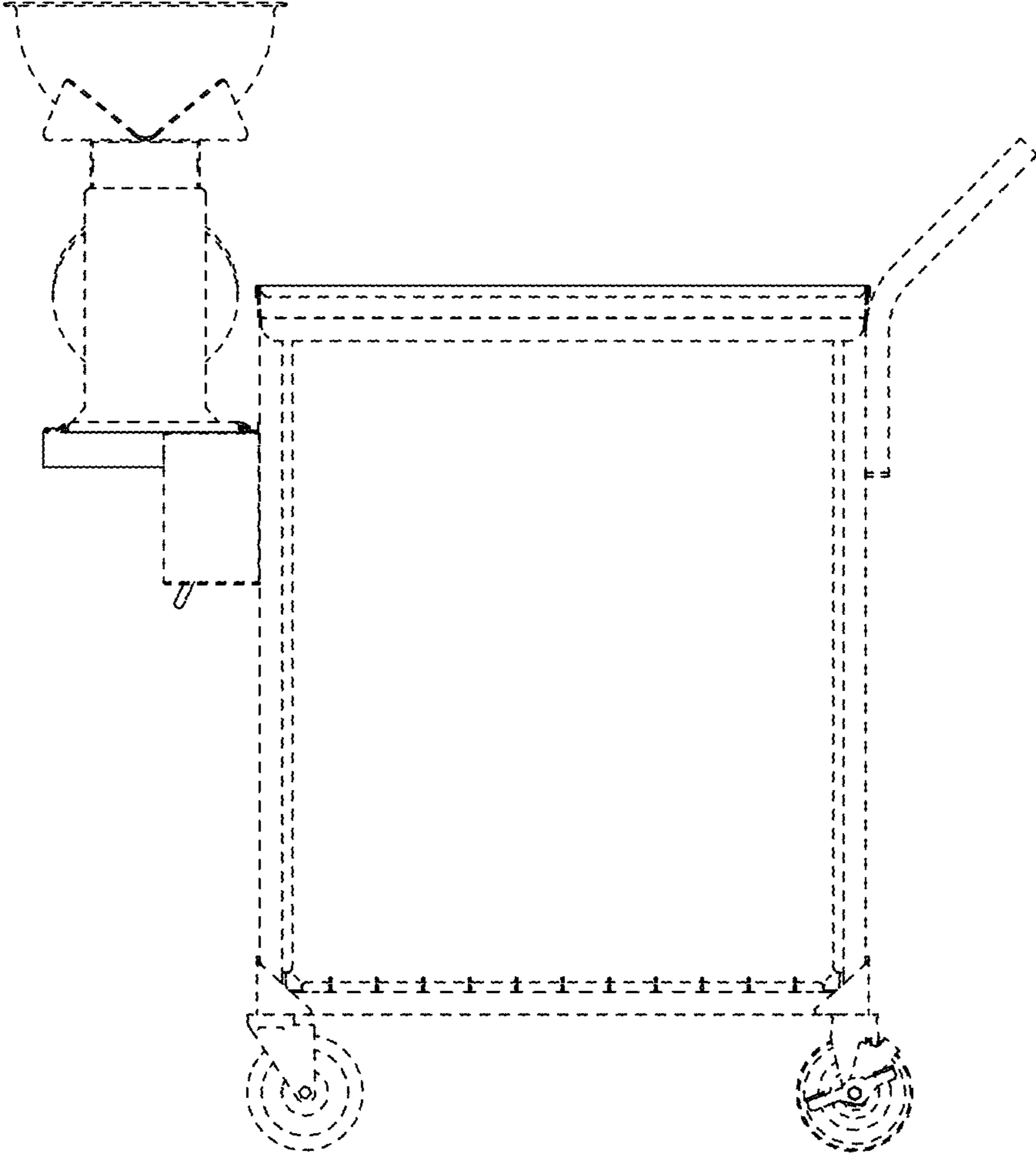


FIG. 4

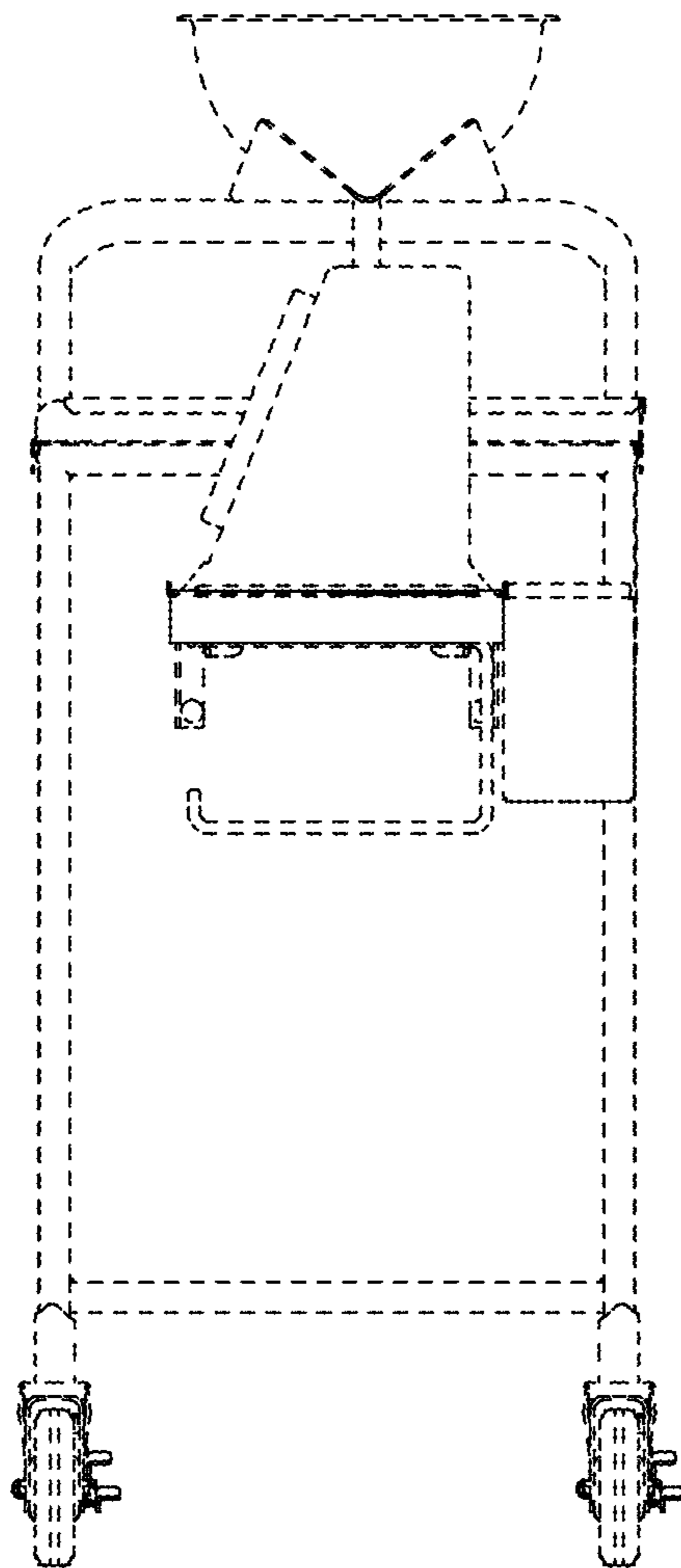


FIG. 5

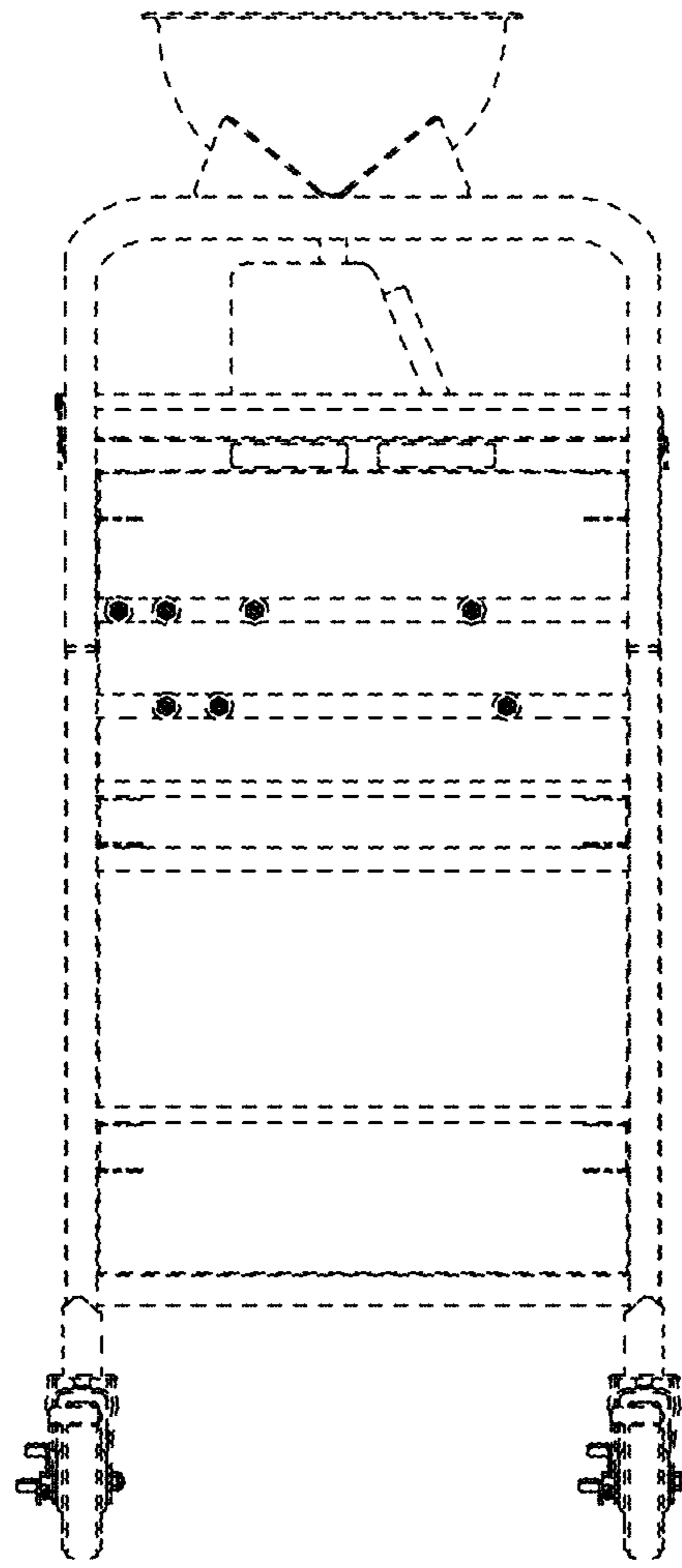


FIG. 6

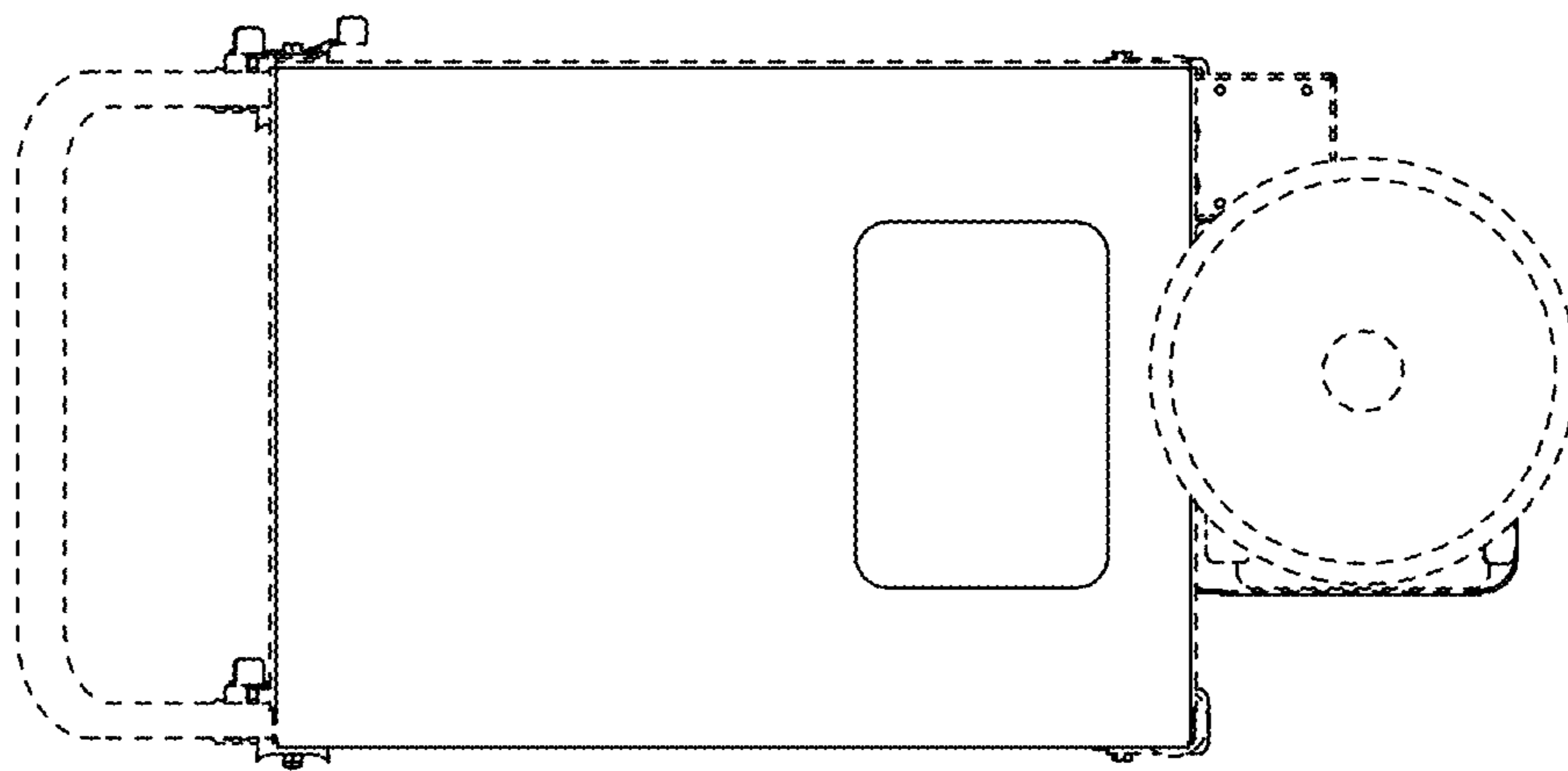


FIG. 7

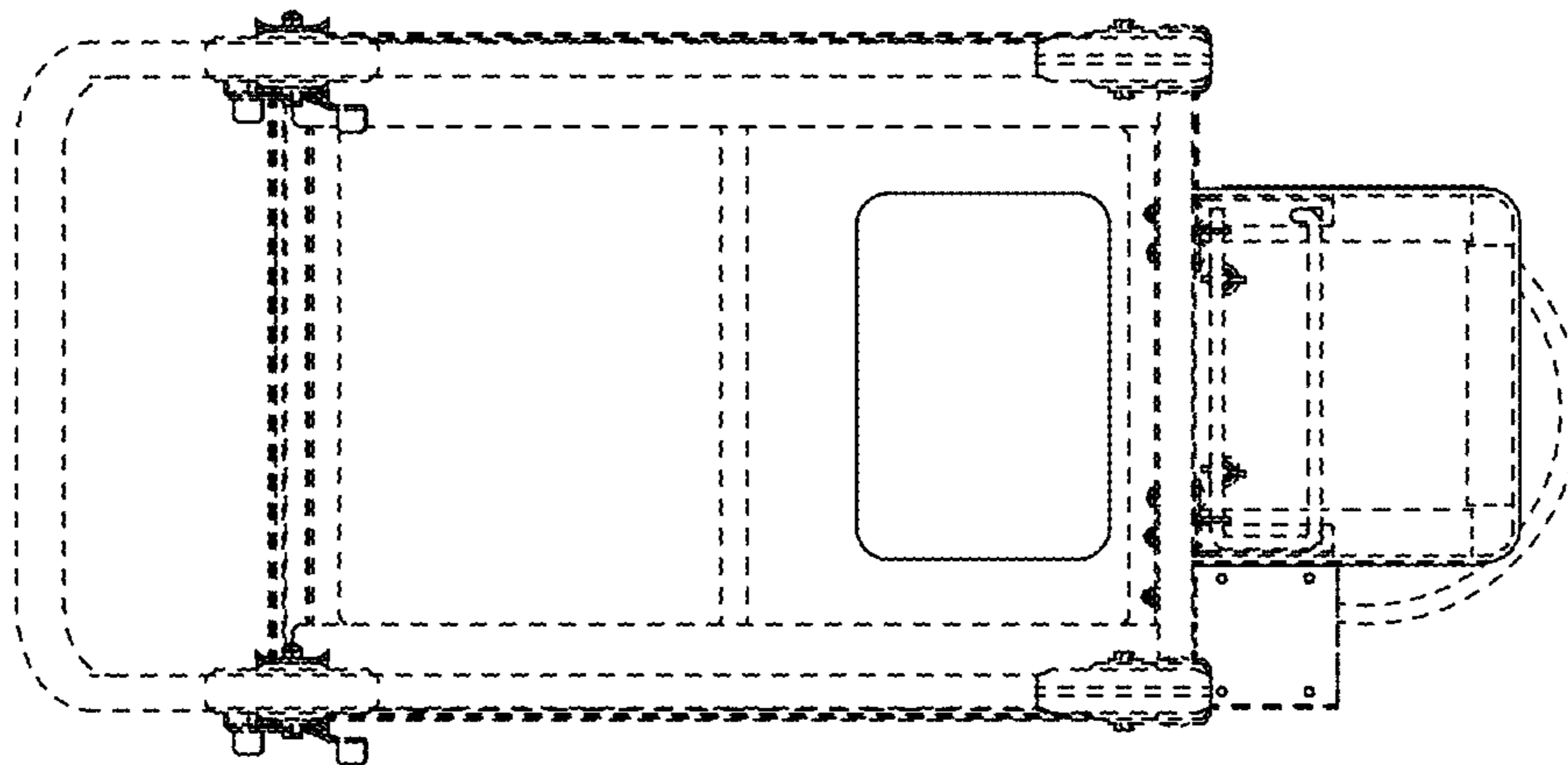


FIG. 8