



US00D806976S

(12) **United States Design Patent**  
**Peota et al.**

(10) **Patent No.:** **US D806,976 S**  
(45) **Date of Patent:** **\*\* Jan. 2, 2018**

(54) **SHOPPING CART SHELF**

(71) Applicant: **TARGET BRANDS, INC.**,  
Minneapolis, MN (US)

(72) Inventors: **Robert D. Peota**, Minneapolis, MN  
(US); **Mitchell W. Knoll**, Eagan, MN  
(US); **Dale Selsor Di Iulio**, Saukville,  
WI (US); **Douglas James Birkholz**,  
Madison, WI (US); **Jeffrey Michael**  
**Lallensack**, Fredonia, WI (US)

(73) Assignee: **TARGET BRANDS, INC.**,  
Minneapolis, MN (US)

(\*\*) Term: **15 Years**

(21) Appl. No.: **29/566,658**

(22) Filed: **Jun. 1, 2016**

(51) **LOC (11) Cl.** ..... **12-02**

(52) **U.S. Cl.**  
USPC ..... **D34/27**

(58) **Field of Classification Search**  
USPC ..... D34/27, 12-26; 280/33.991, 33.992,  
280/33.993, 47.34, 47.19, 79.11, 644  
CPC ..... B62B 7/08  
See application file for complete search history.

(56) **References Cited**

U.S. PATENT DOCUMENTS

2,633,278 A	3/1953	Muniz
2,979,301 A	4/1961	Reveal
3,128,984 A	4/1964	Palm
3,494,631 A	2/1970	Kreider
3,539,204 A	11/1970	Keller
3,912,291 A	10/1975	Frisch
4,081,205 A	3/1978	Rosenacker
4,274,567 A	6/1981	Sawyer
4,423,888 A	1/1984	Addison
4,443,961 A	4/1984	Gilroy
4,450,994 A	5/1984	Holland
4,487,134 A	12/1984	Foote

4,583,753 A	4/1986	Economy
4,643,280 A	2/1987	Hensley
4,679,818 A	7/1987	Kakavas
4,685,701 A	8/1987	Amundson et al.
4,702,402 A	10/1987	Ferri

(Continued)

OTHER PUBLICATIONS

“Muggie—Coffee Sleeve by Kyu Seop Lee”, printed from www.yankodesign.com/2012102107/protect-your-paw/publicly available at least as early as Feb. 7, 2012 (5 pages).

*Primary Examiner* — Cynthia Ramirez

(74) *Attorney, Agent, or Firm* — JoAnn M. Seaton;  
Griffiths & Seaton PLLC

(57) **CLAIM**

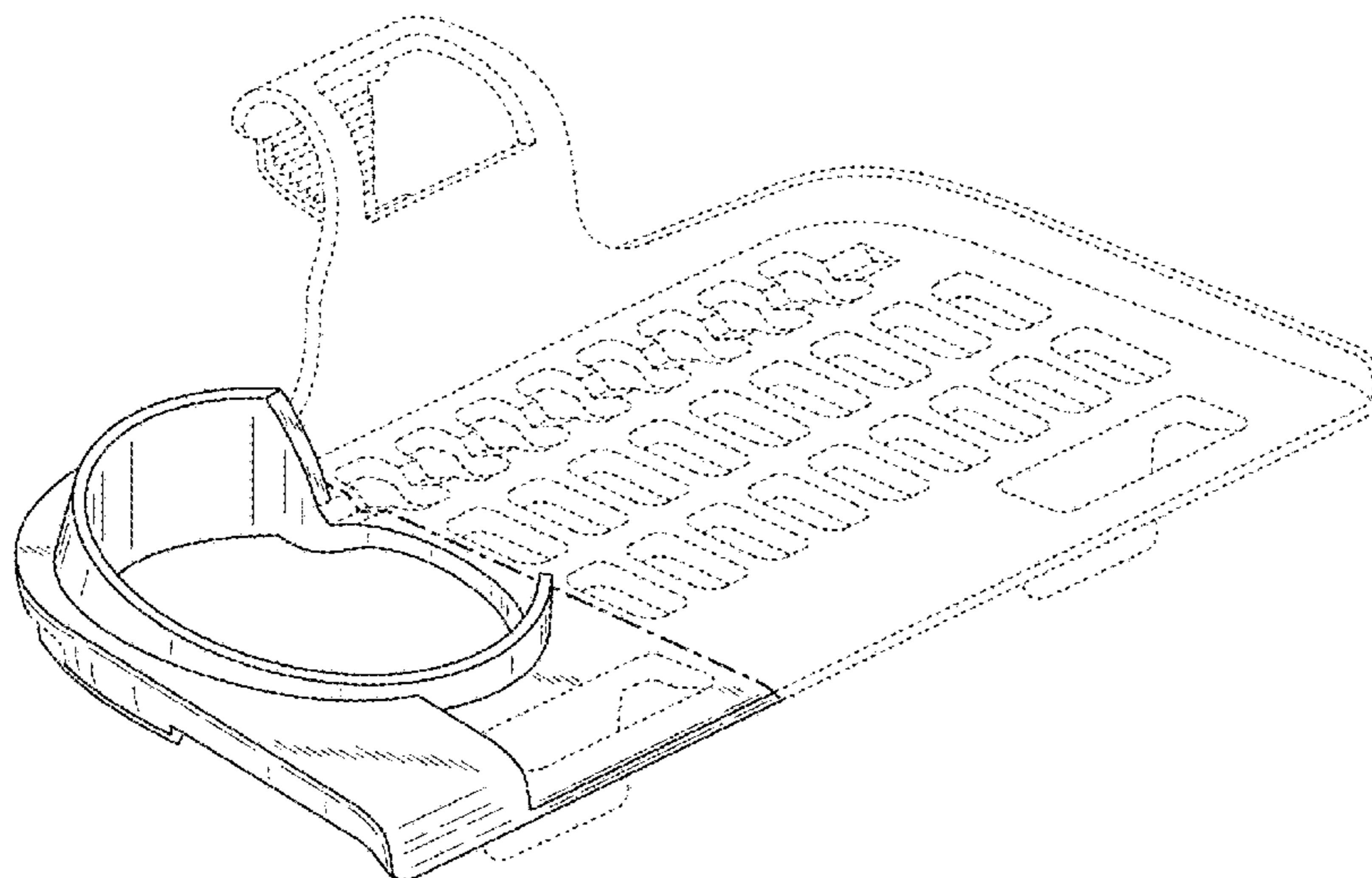
The ornamental design for a shopping cart shelf, as shown and described.

**DESCRIPTION**

FIG. 1 is a front perspective view of a shopping cart shelf showing our new design;  
FIG. 2 is a front view thereof;  
FIG. 3 is a rear view thereof;  
FIG. 4 is a right side view thereof;  
FIG. 5 is a left side view thereof;  
FIG. 6 is a top view thereof; and  
FIG. 7 is a bottom view thereof; and,  
FIG. 8 is a front, perspective view of the shopping cart shelf of FIG. 1 shown with unclaimed environmental subject matter.

The features shown in broken lines in FIGS. 1 through 8 are to show portions of the shopping cart shelf forming no part of the claimed design. The cart shown in broken lines in FIG. 8 is to show environment and forms no part of the claimed design. The long dash-short dash bolded broken lines indicate the bounds of the claimed design and otherwise form no part of the claimed design.

**1 Claim, 6 Drawing Sheets**



(56)

References Cited

U.S. PATENT DOCUMENTS

4,901,901 A	2/1990	Reitenour	7,195,155 B2	3/2007	Garberg et al.
4,966,318 A	10/1990	Dutka	D548,921 S	8/2007	Gaddy
5,002,215 A	3/1991	Gregoire	7,374,182 B2	5/2008	Gurley et al.
5,004,252 A	4/1991	Kraper	D583,123 S	12/2008	Cassin, III
5,072,957 A	12/1991	Graebe, Jr.	D598,024 S	8/2009	Scott et al.
5,086,960 A	2/1992	Schwietzer	7,673,410 B1	3/2010	Buerchner et al.
5,182,895 A	2/1993	Lugo	8,056,909 B2	11/2011	Burdwood et al.
5,203,578 A	4/1993	Davidson et al.	8,077,453 B2	12/2011	Swan et al.
D340,339 S	10/1993	Kean et al.	8,162,331 B2	4/2012	Simonson et al.
5,263,578 A	11/1993	Narvey	8,423,696 B2	4/2013	Thordarson
5,362,077 A	11/1994	Adamson	8,474,832 B2	7/2013	Mersky
5,417,353 A	5/1995	Stall	8,534,520 B1	9/2013	Liparoti
5,494,308 A	2/1996	Southerland	D696,483 S	12/2013	Otterlee et al.
5,501,383 A	3/1996	Wilson	8,690,166 B2	4/2014	Peota et al.
D368,566 S	4/1996	Glaeser	9,120,496 B1	9/2015	Griffith
5,566,609 A	10/1996	Kirschner	9,126,616 B2	9/2015	Crum
5,636,818 A	6/1997	Edwards et al.	D760,464 S *	6/2016	Dyer ..... D34/27
D411,904 S	7/1999	Risholm et al.	D794,897 S *	8/2017	Dyer ..... D34/27
6,158,640 A	12/2000	Karp et al.	2002/0084628 A1	7/2002	Van Horn et al.
D440,372 S	4/2001	Williams	2004/0080129 A1	4/2004	Myers et al.
D445,231 S	7/2001	Porter	2004/0189066 A1	9/2004	Beaty
6,453,588 B1	9/2002	Lykens	2006/0049591 A1	3/2006	Pennell
D484,664 S	12/2003	Arceta	2007/0007416 A1	1/2007	Vogel
D492,829 S	7/2004	Babkes et al.	2007/0273113 A1	11/2007	Muir
6,944,981 B1	9/2005	Garberg et al.	2009/0140505 A1	6/2009	Fryer et al.
D523,207 S	6/2006	Tucker et al.	2009/0242717 A1	10/2009	Stonehouse
D536,503 S	2/2007	Weigand et al.	2011/0011995 A1	1/2011	Tridon De Rey
			2013/0313297 A1	11/2013	Belby et al.
			2013/0341370 A1	12/2013	Larson
			2014/0069973 A1	3/2014	Peck et al.

\* cited by examiner

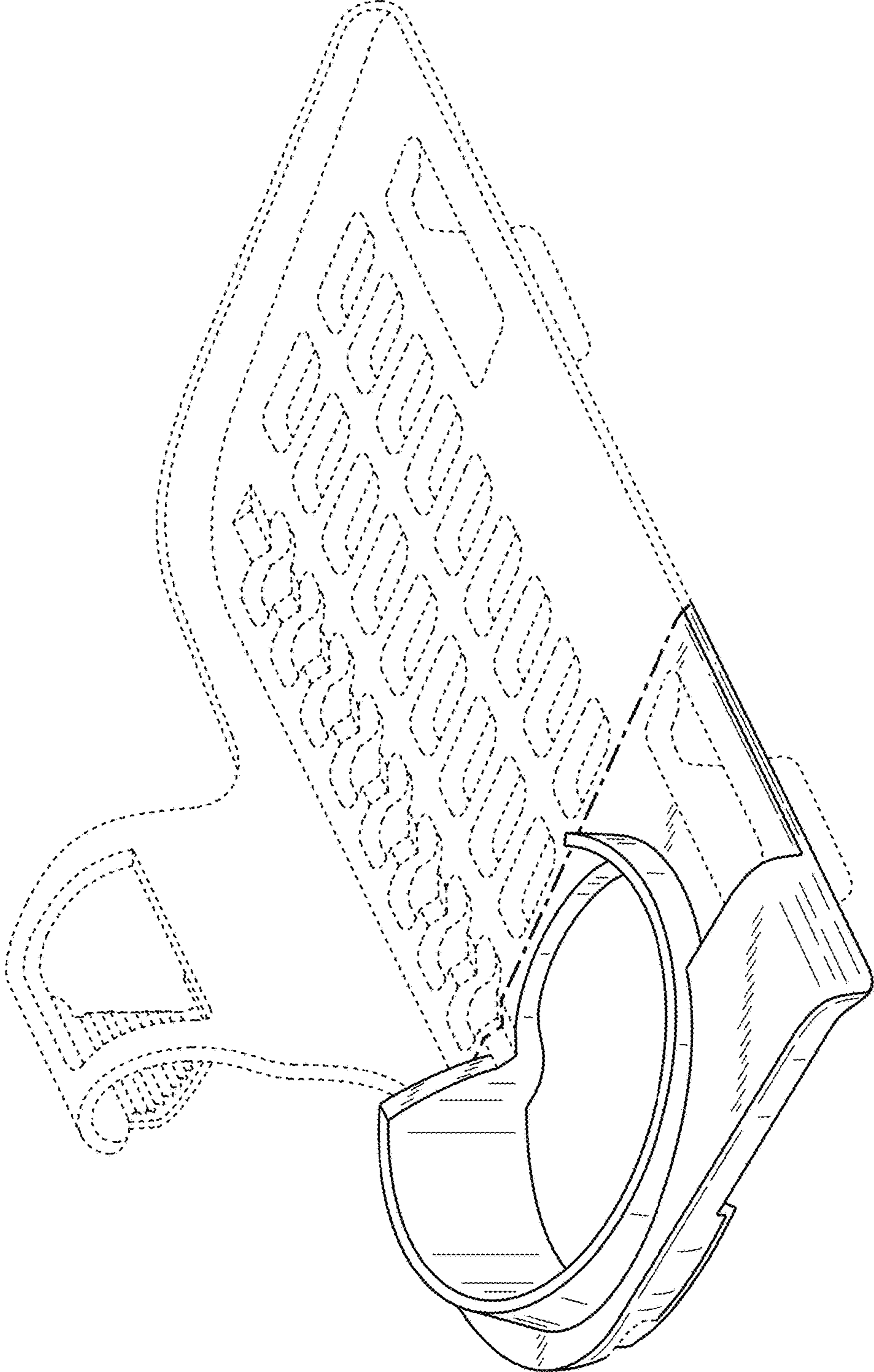


FIG. 1

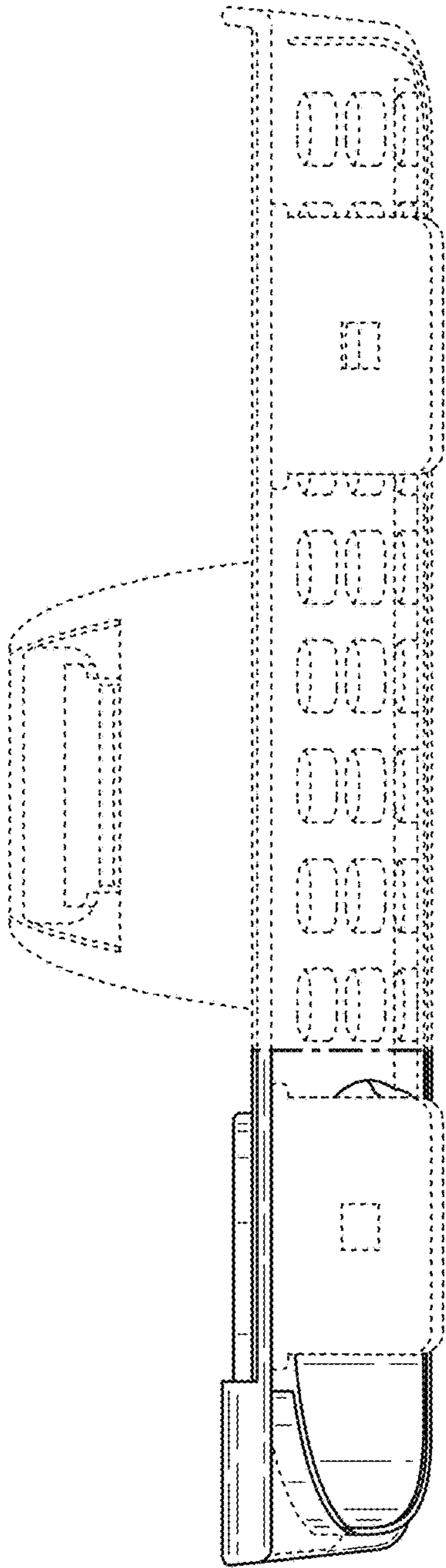


FIG. 2

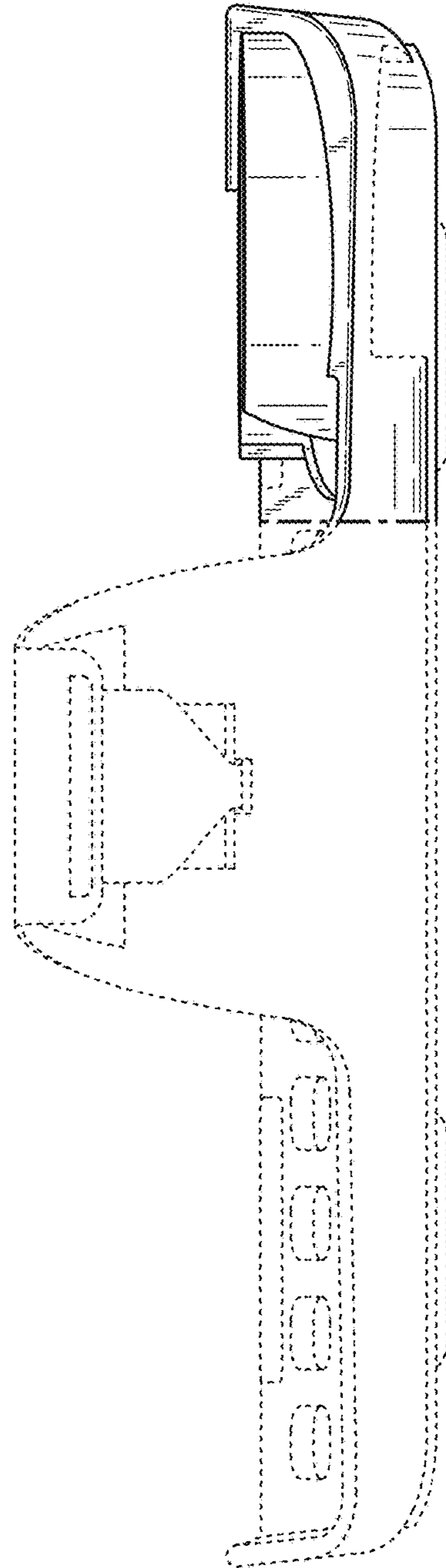


FIG. 3

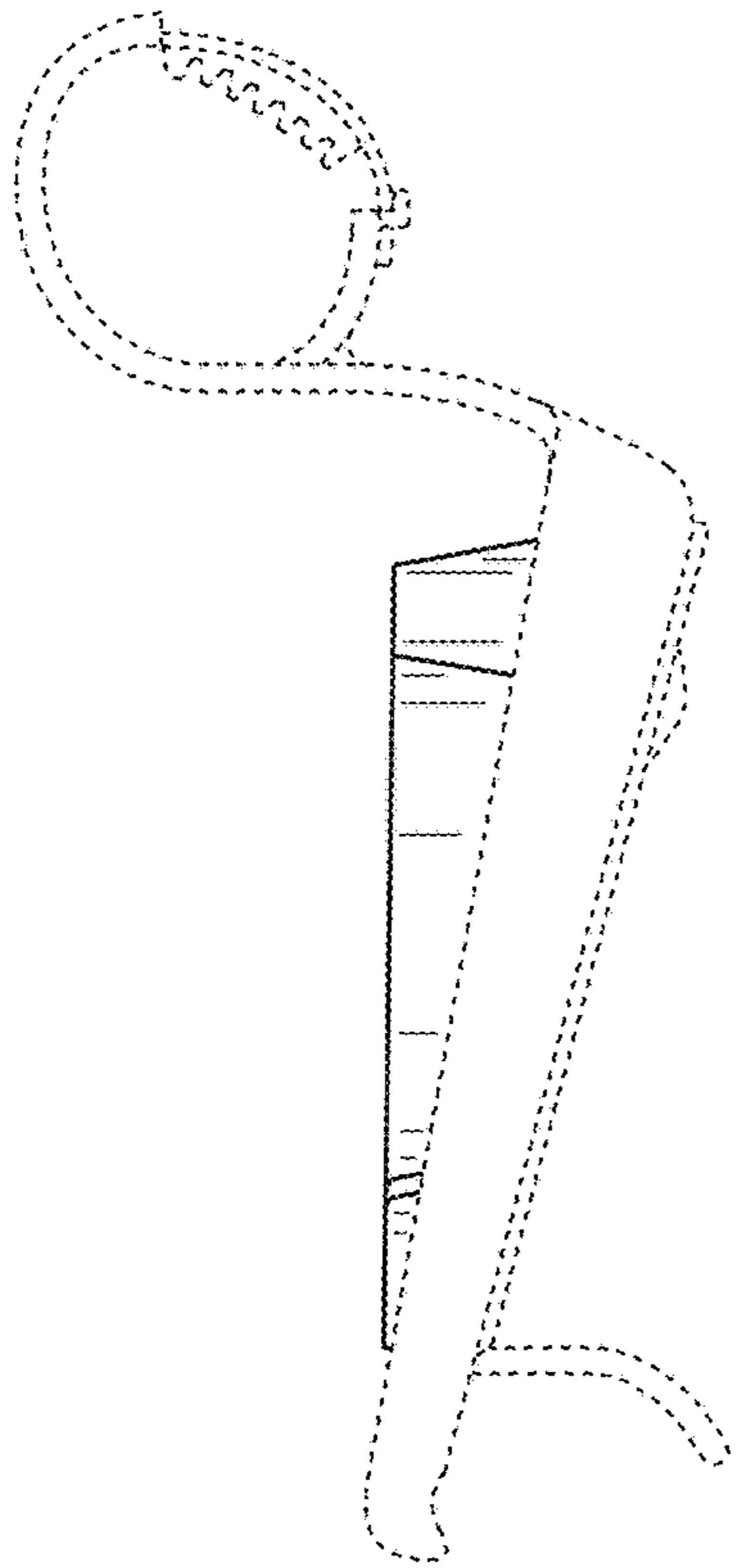


FIG. 4

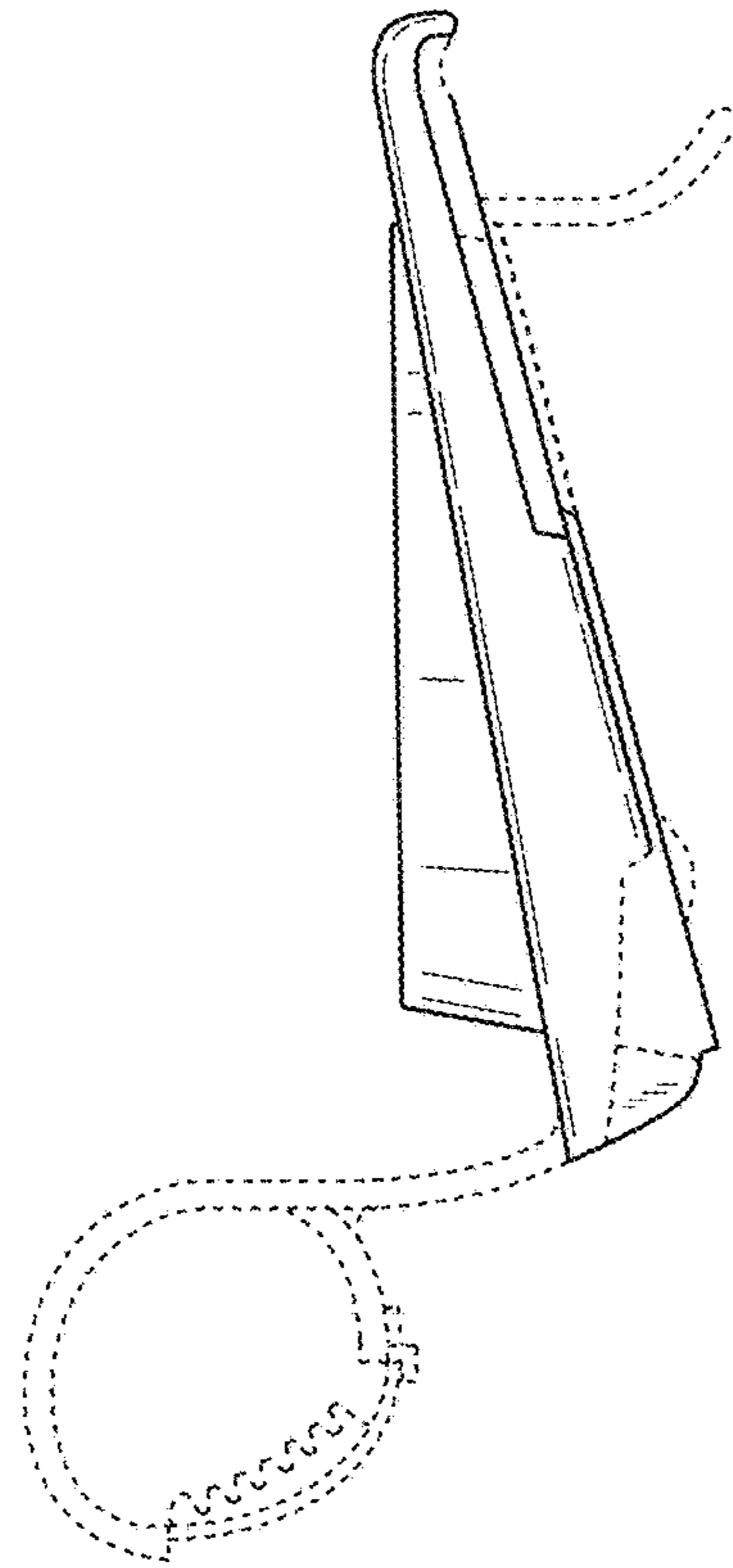


FIG. 5

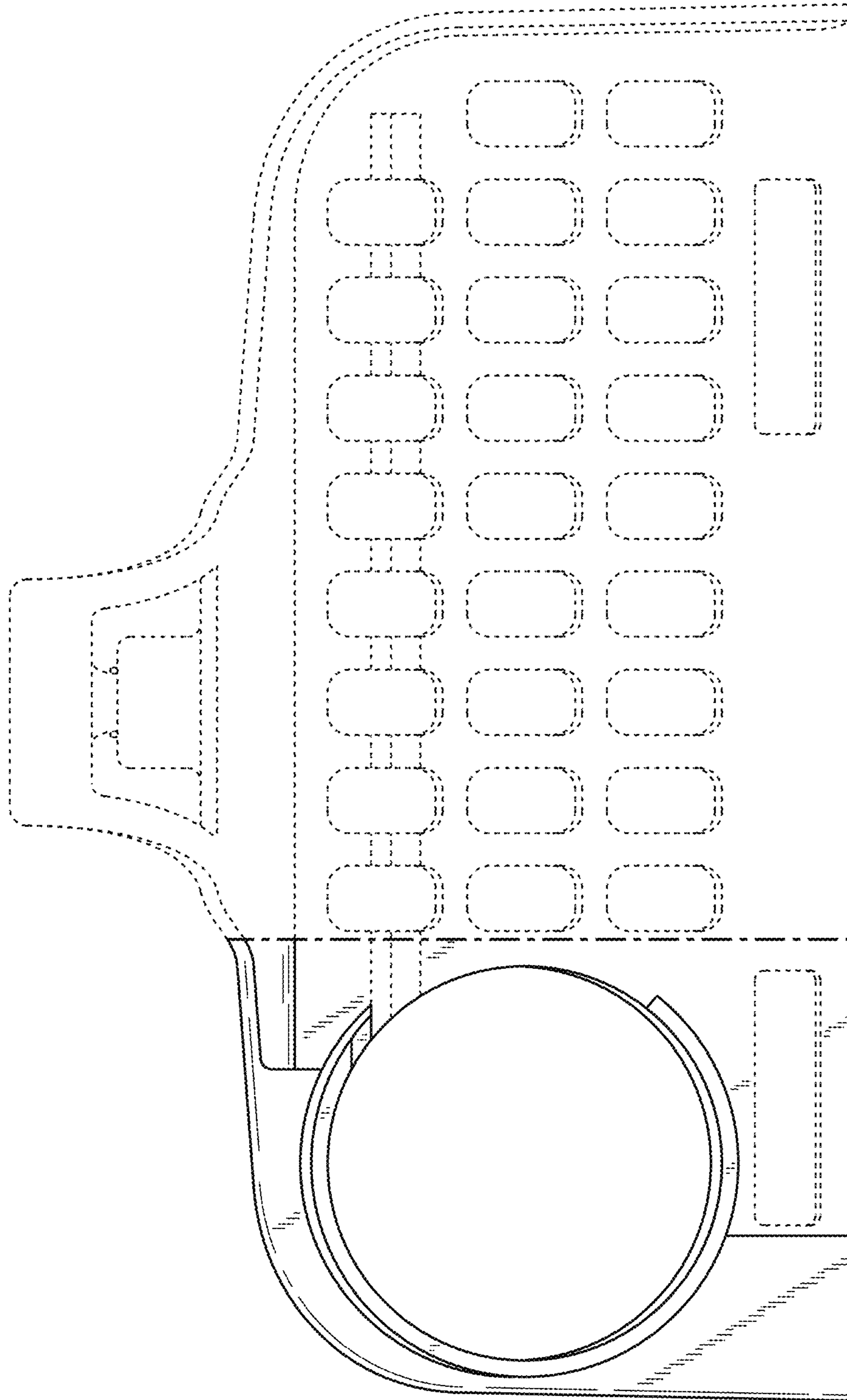


FIG. 6

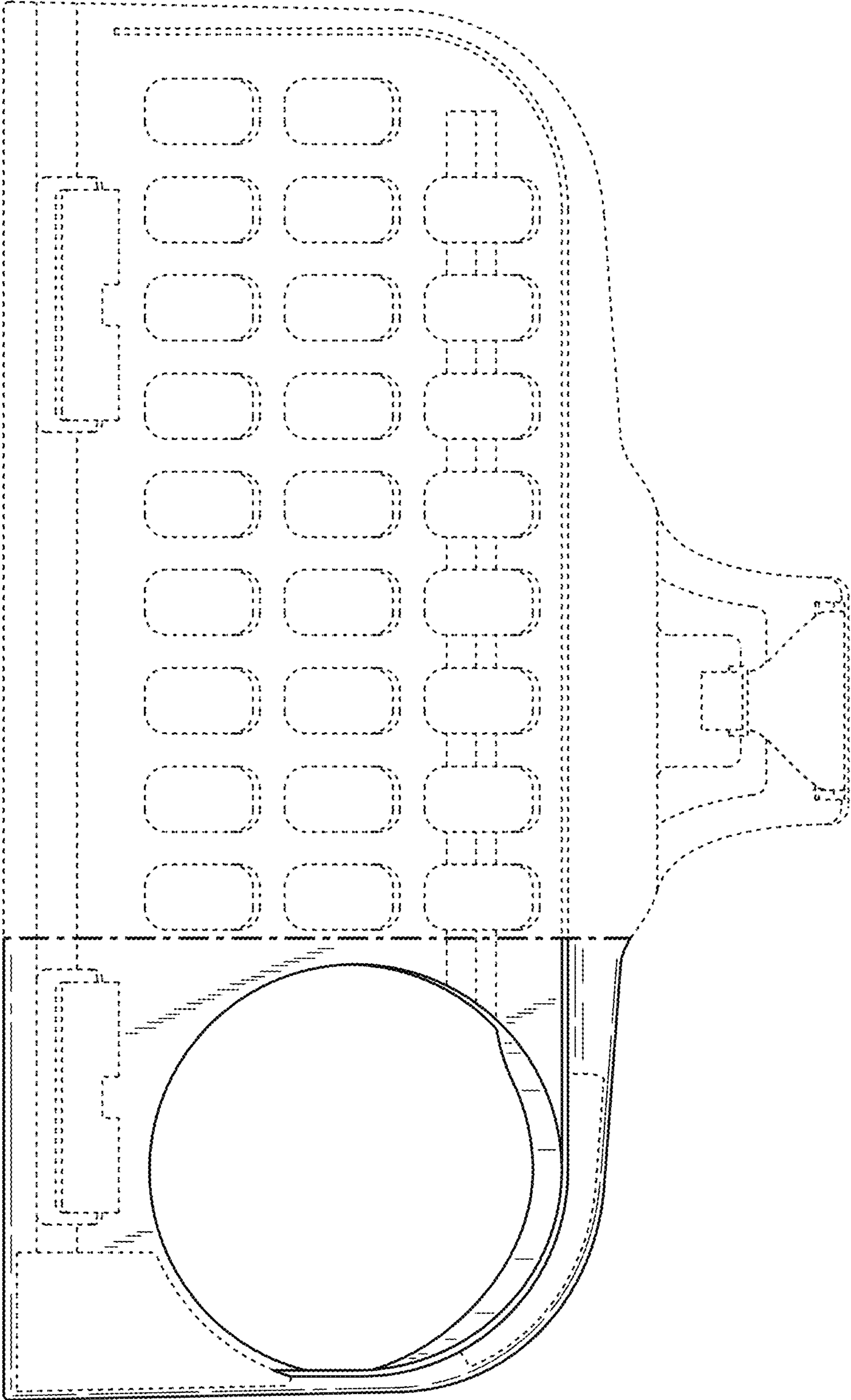


FIG. 7

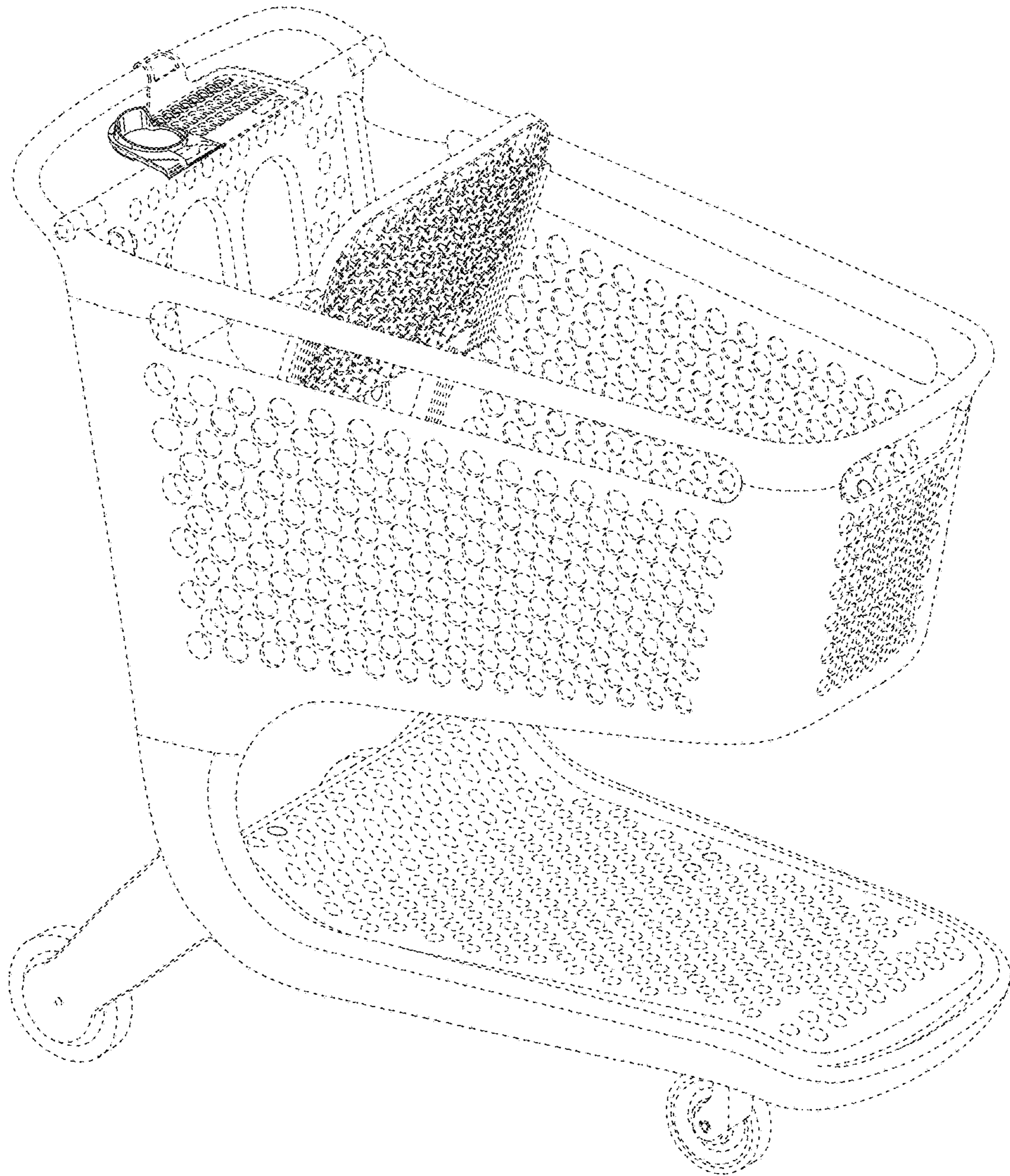


FIG. 8