



US00D806975S

(12) **United States Design Patent**
Darmon

(10) **Patent No.: US D806,975 S**
(45) **Date of Patent: ** Jan. 2, 2018**

(54) **SPORT TRAINING CART**
(71) Applicant: **SDDS CORPORATION**, Perpignan (FR)
(72) Inventor: **Stéphane Darmon**, Perpignan (FR)
(73) Assignee: **SDDS CORPORATION**, Perpignan (FR)
(**) Term: **15 Years**
(21) Appl. No.: **35/500,803**
(22) Filed: **Dec. 30, 2015**

8,069,939 B1 * 12/2011 Metzler B62B 3/007
180/19.1
8,317,219 B2 * 11/2012 Bruce B62B 5/0013
280/47.26
D704,410 S * 5/2014 Reimers D34/15
8,979,115 B1 * 3/2015 Baron B62B 3/027
280/43
9,457,825 B1 * 10/2016 Devers B62B 3/022
2006/0208440 A1 * 9/2006 Clark B62B 3/001
280/47.35
2008/0041644 A1 * 2/2008 Tudek B60L 7/12
180/65.1
2009/0236810 A1 * 9/2009 Anderson B25H 3/00
280/47.34
2015/0091265 A1 * 4/2015 Bentson B62B 1/26
280/47.19

(80) **Hague Agreement Data**

Int. Filing Date: **Dec. 30, 2015**
Int. Reg. No.: **DM/089968**
Int. Reg. Date: **Dec. 30, 2015**
Int. Reg. Pub. Date: **Apr. 8, 2016**

* cited by examiner

Primary Examiner — George D Kirschbaum
(74) *Attorney, Agent, or Firm* — Andrew W. Chu; Craft Chu PLLC

(30) **Foreign Application Priority Data**

Jul. 11, 2015 (WO) DM/088289

(51) **LOC (11) Cl.** **34-02**

(52) **U.S. Cl.**
USPC **D34/19**

(58) **Field of Classification Search**
USPC D34/15, 12, 19
CPC B63B 3/001; B60L 7/12; A63B 69/002;
B25H 3/00; B62B 3/02; B62B 3/007;
B62B 5/0013; B62B 3/027; B62B 1/26;
B62B 3/022

See application file for complete search history.

(56) **References Cited**

U.S. PATENT DOCUMENTS

7,549,415 B2 * 6/2009 Karellas A63B 69/002
124/16
7,963,530 B1 * 6/2011 Garcia B62B 3/02
280/28

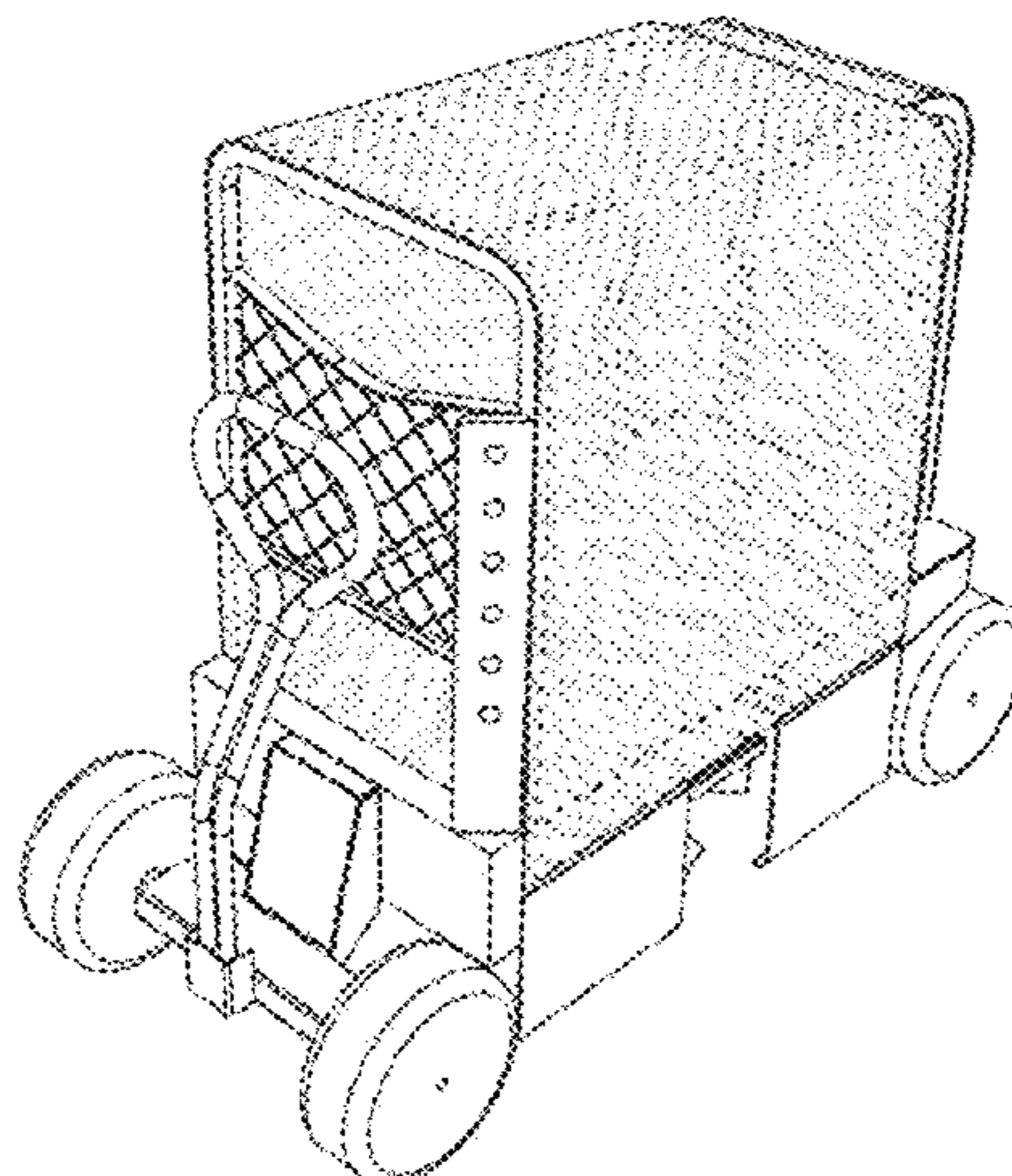
(57) **CLAIM**

The ornamental design of a sport training cart, as shown and described.

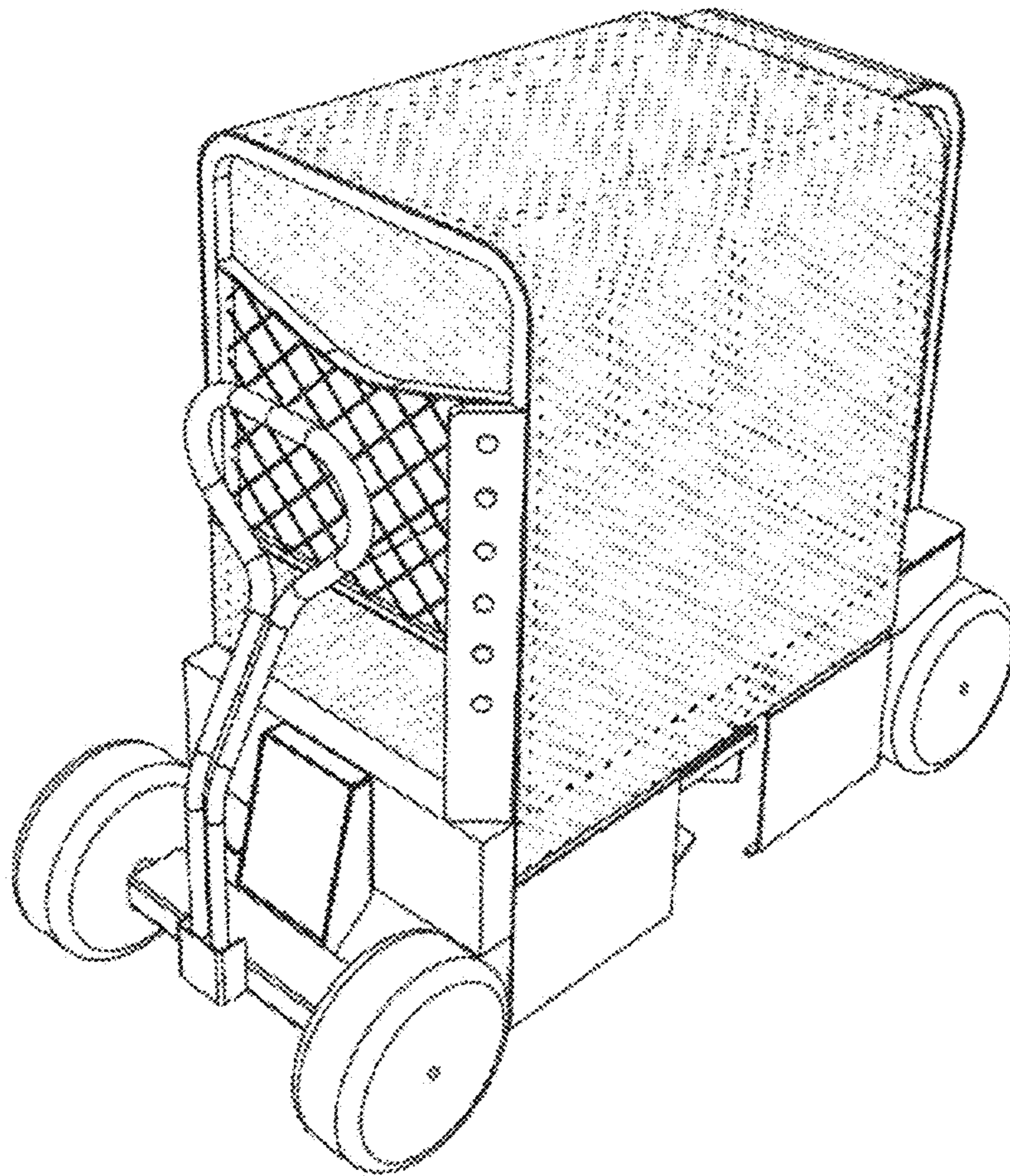
DESCRIPTION

1.1 is a front perspective view.
1.2 is a rear perspective view.
1.3 is a front elevation view.
1.4 is a rear elevation view.
1.5 is a side elevation view.
1.6 is an opposite side elevation view.
1.7 is a bottom plan view.
1.8 is another rear perspective view, showing balls as accessories in broken lines.
The broken line showing of balls as accessories in Figure 1.8 is included for the purpose of illustrating use and environment and forms no part of the claimed design.

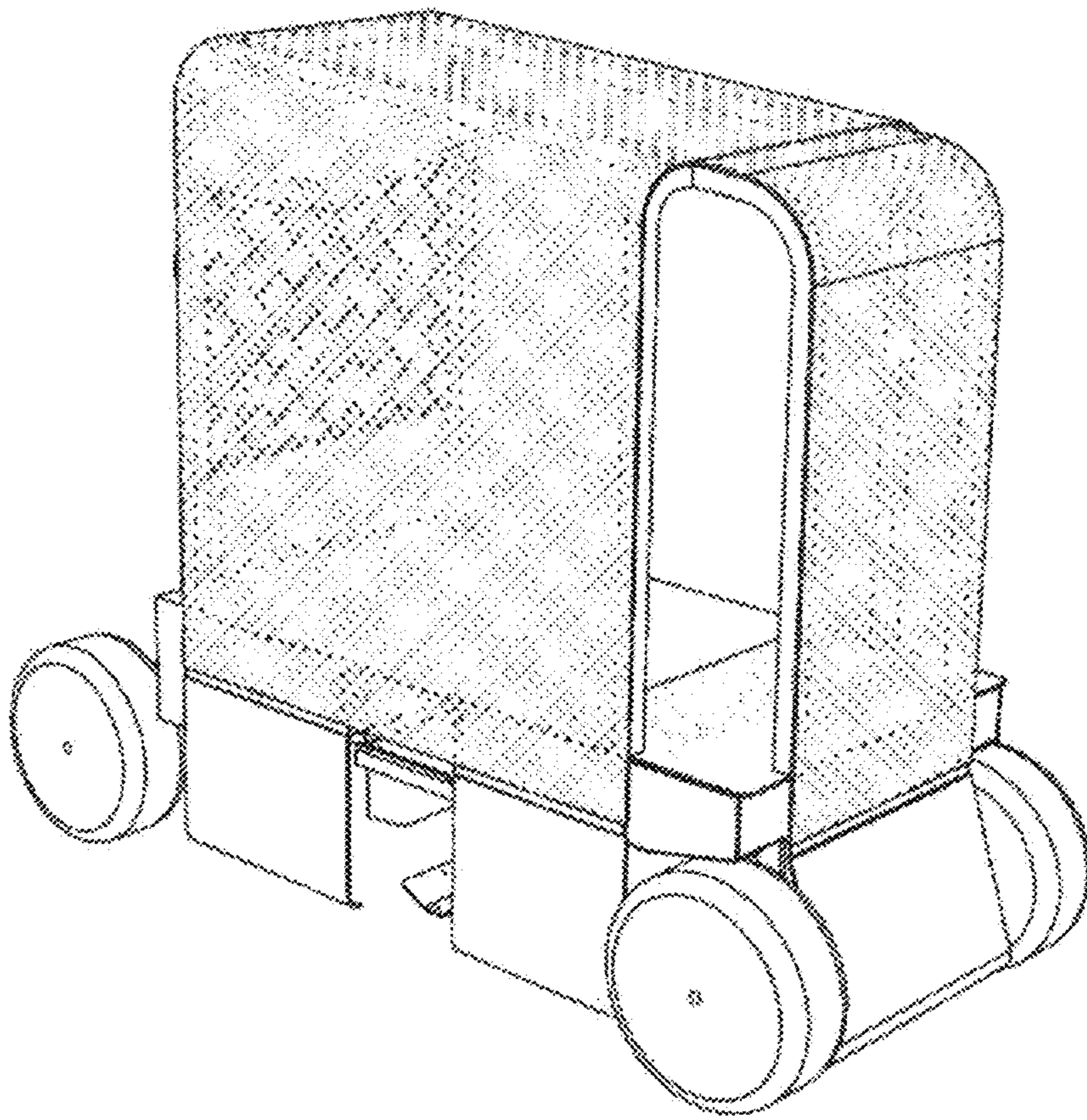
1 Claim, 8 Drawing Sheets



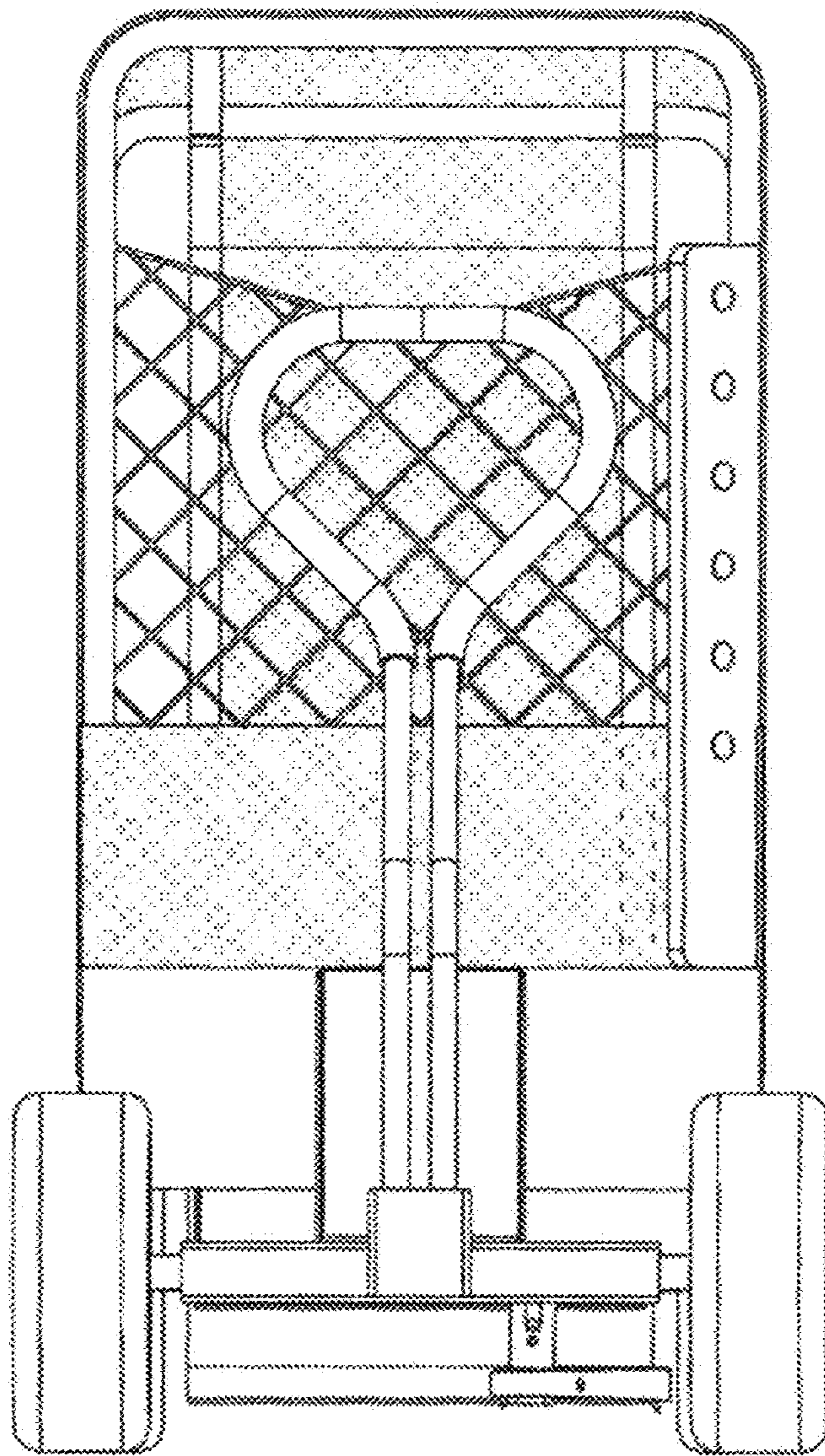
1.1



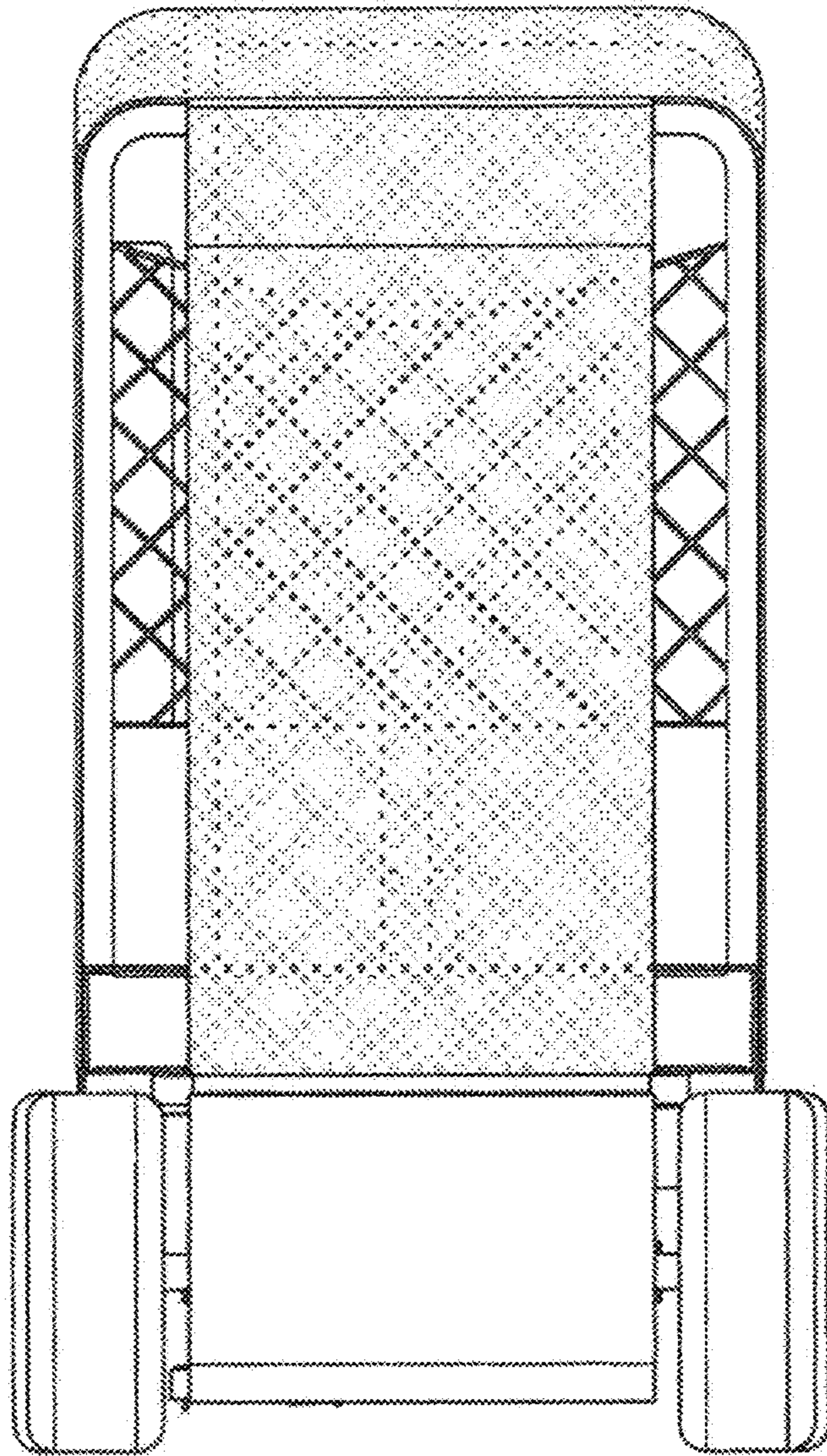
1.2



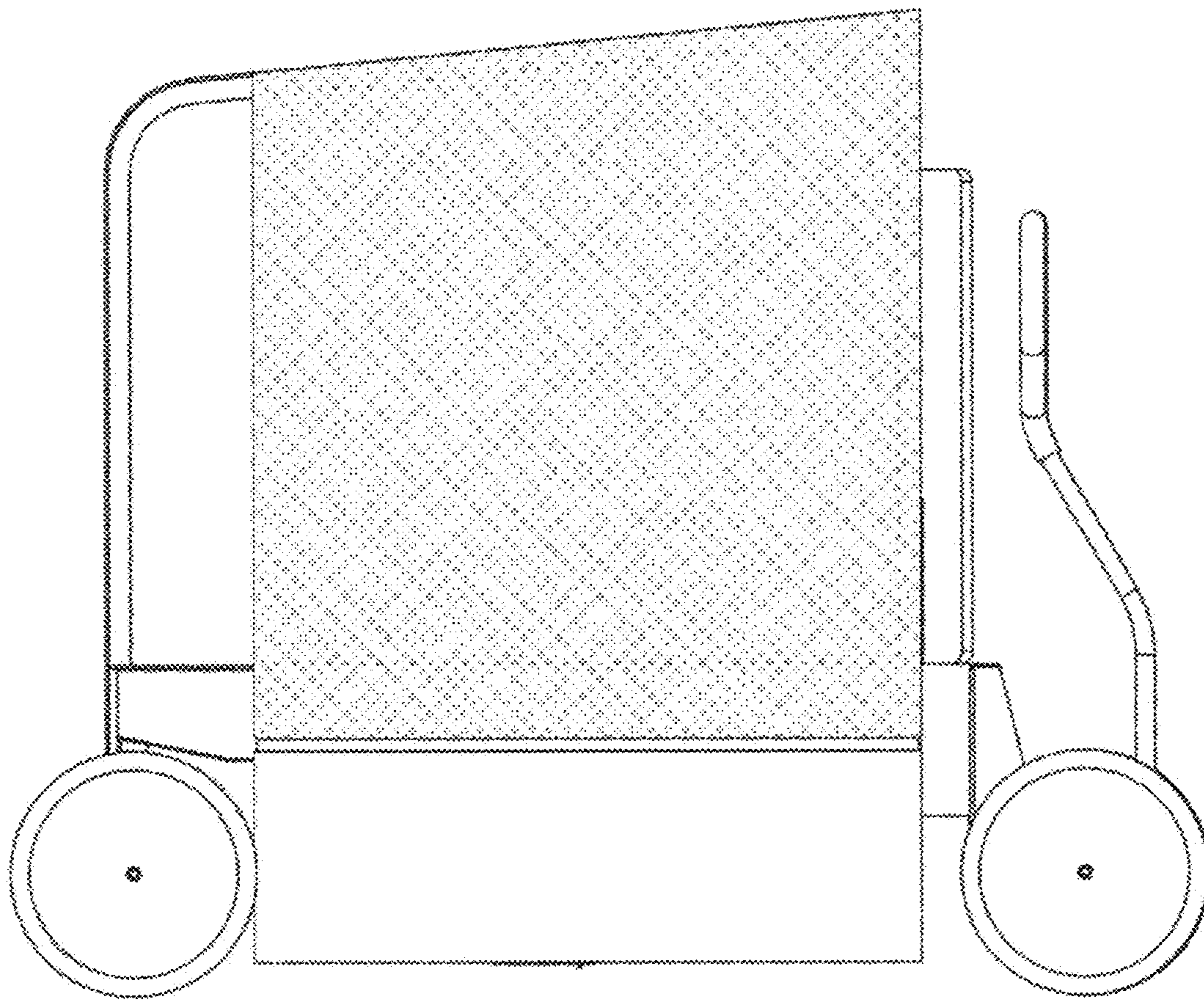
1.3



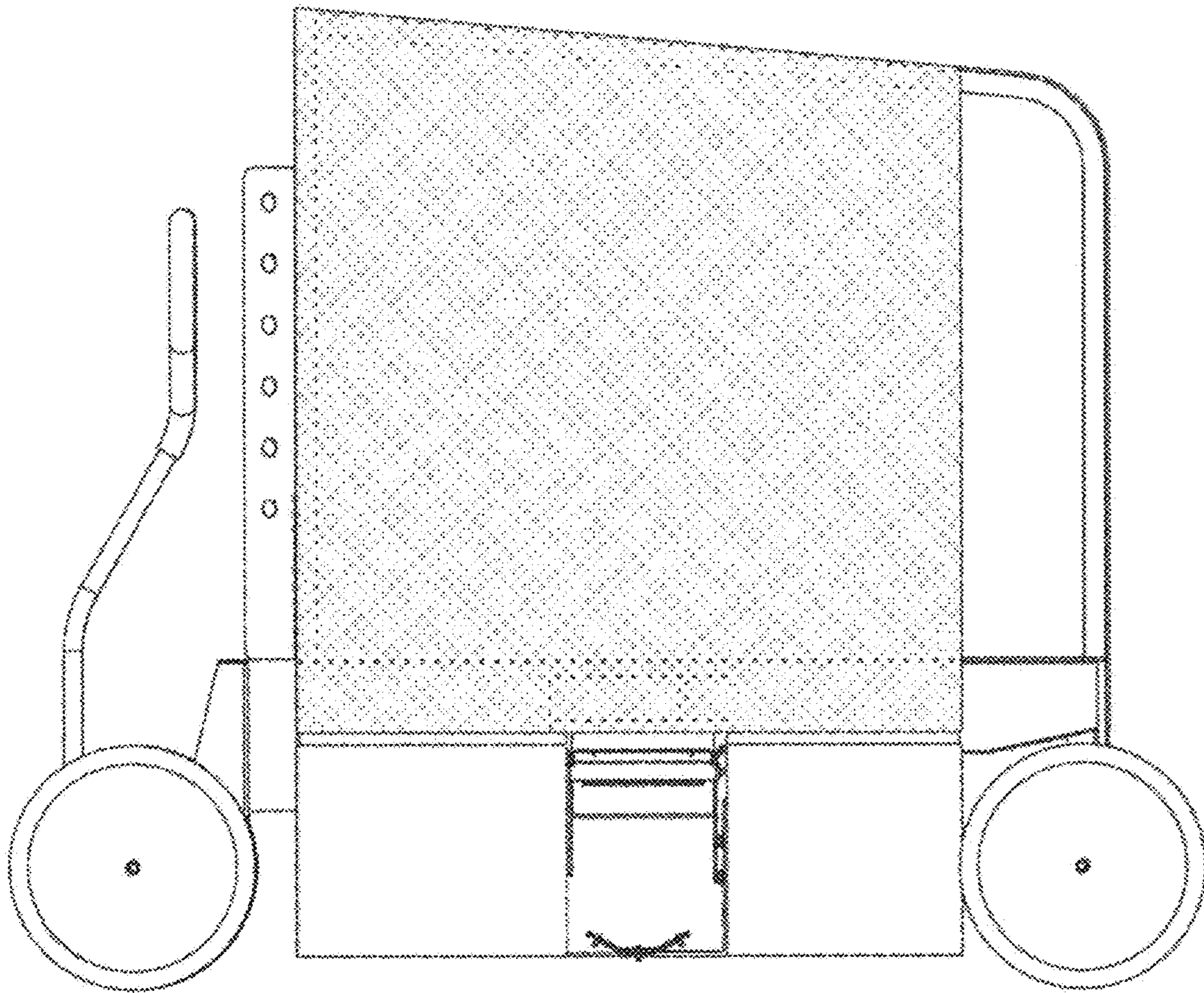
1.4



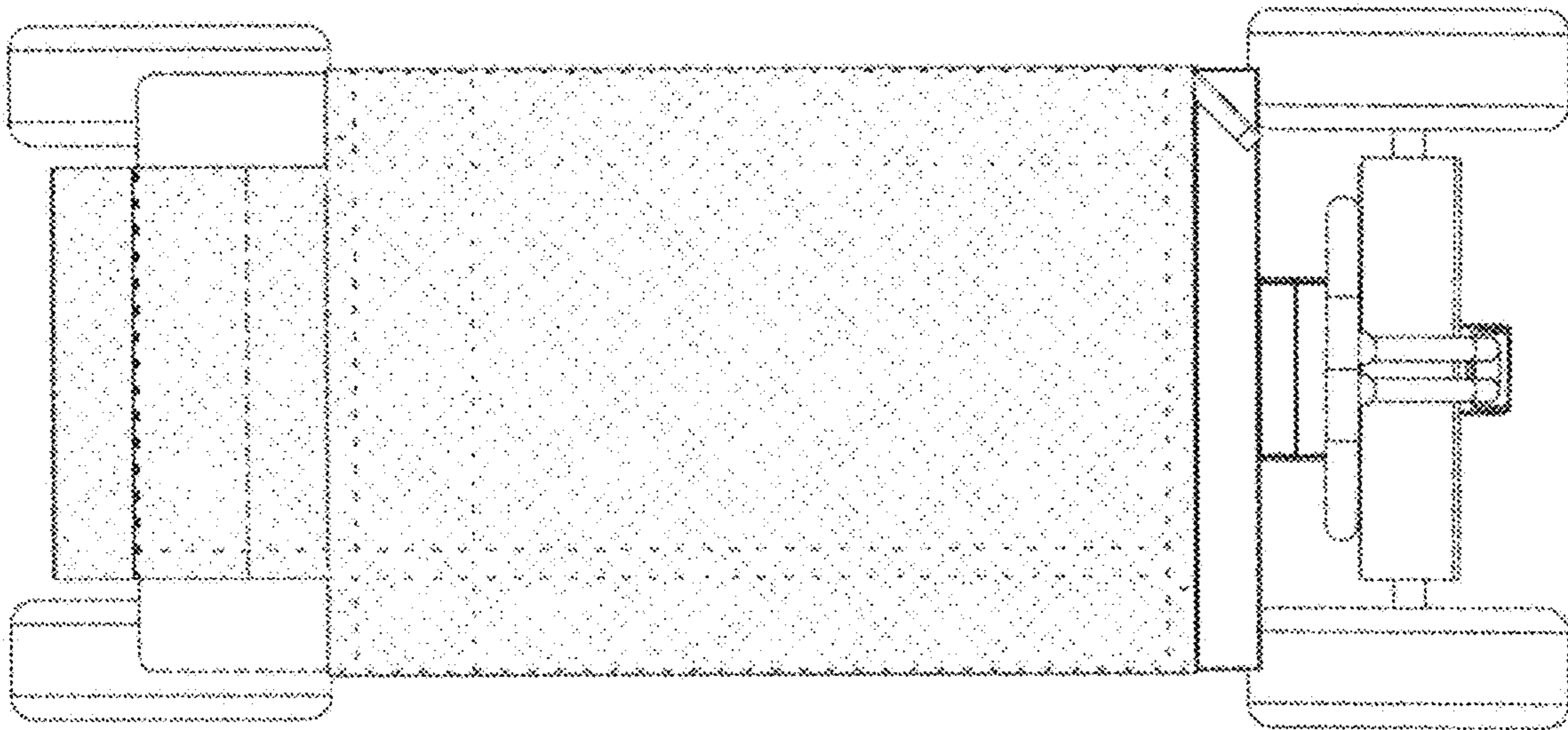
1.5



1.6



1.7



1.8

