



US00D806974S

(12) **United States Design Patent**
Lloyd et al.

(10) **Patent No.:** **US D806,974 S**
(45) **Date of Patent:** **** Jan. 2, 2018**

(54) **TRASH RECEPTACLE**
(71) Applicant: **Joseph Joseph Ltd.**, London (GB)
(72) Inventors: **Tom Lloyd**, London (GB); **Luke Pearson**, London (GB)

D644,389 S * 8/2011 Roberts D34/7
D722,735 S * 2/2015 Del Rosario Roy D34/8
D741,665 S * 10/2015 Bagley D7/629
D772,659 S * 11/2016 Middleton D7/629
D778,152 S * 2/2017 Middleton D9/424
2014/0097183 A1* 4/2014 McGrath B65D 25/2897
220/212

(73) Assignee: **Joseph Joseph Ltd.**, London (GB)

* cited by examiner

(**) Term: **15 Years**

Primary Examiner — Cynthia Ramirez

(21) Appl. No.: **29/559,940**

(74) *Attorney, Agent, or Firm* — Millen White Zelano & Branigan, P.C.

(22) Filed: **Apr. 1, 2016**

(57) **CLAIM**

The ornamental design for a trash receptacle, as shown and described.

(30) **Foreign Application Priority Data**

DESCRIPTION

Oct. 23, 2015 (EM) 002834093-0001

(51) **LOC (11) Cl.** **09-09**

(52) **U.S. Cl.**
USPC **D34/7**

(58) **Field of Classification Search**
USPC D34/1-11; 220/908, 908.1, 909, 911,
220/913; D9/420, 425, 440; D7/629,
D7/630, 605

CPC .. B65F 1/06; B65F 1/163; B65F 1/062; B65F
1/14; B65F 2220/12; B65F 2230/00;
B65F 2250/1146

See application file for complete search history.

FIG. 1 is a top perspective view of the trash receptacle showing my new design.
FIG. 2 is a bottom perspective view thereof.
FIG. 3 is a front view thereof.
FIG. 4 is a back view thereof.
FIG. 5 is a side view thereof.
FIG. 6 is another side view thereof.
FIG. 7 is a top view thereof.
FIG. 8 is a bottom view thereof.
FIG. 9 is a top perspective view thereof in an open configuration; and,
FIG. 10 is a top perspective view thereof in an environment of use.

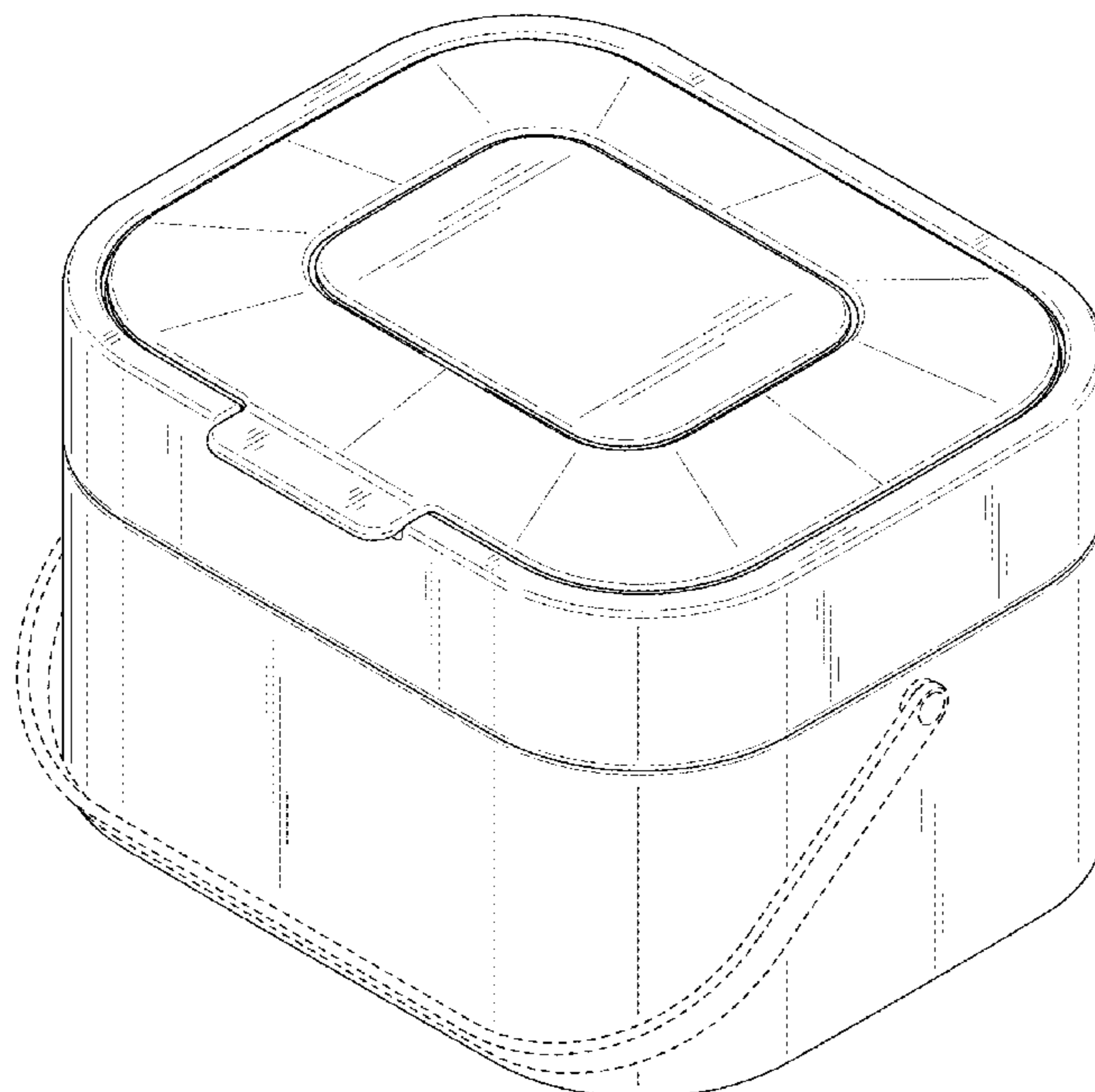
(56) **References Cited**

U.S. PATENT DOCUMENTS

D329,930 S * 9/1992 Delmerico D34/1
D355,739 S * 2/1995 Bird D34/1
D355,740 S * 2/1995 Kirchner D34/1
D360,062 S * 7/1995 Mosior D24/131
D552,351 S * 10/2007 Bauers D21/721

The broken lines shown in FIGS. 1 through 10 are to show portions of the trash receptacle and form no part of the claimed design. The additional element shown in broken lines in FIG. 10 is to show environment and form no part of the claimed design.

1 Claim, 10 Drawing Sheets



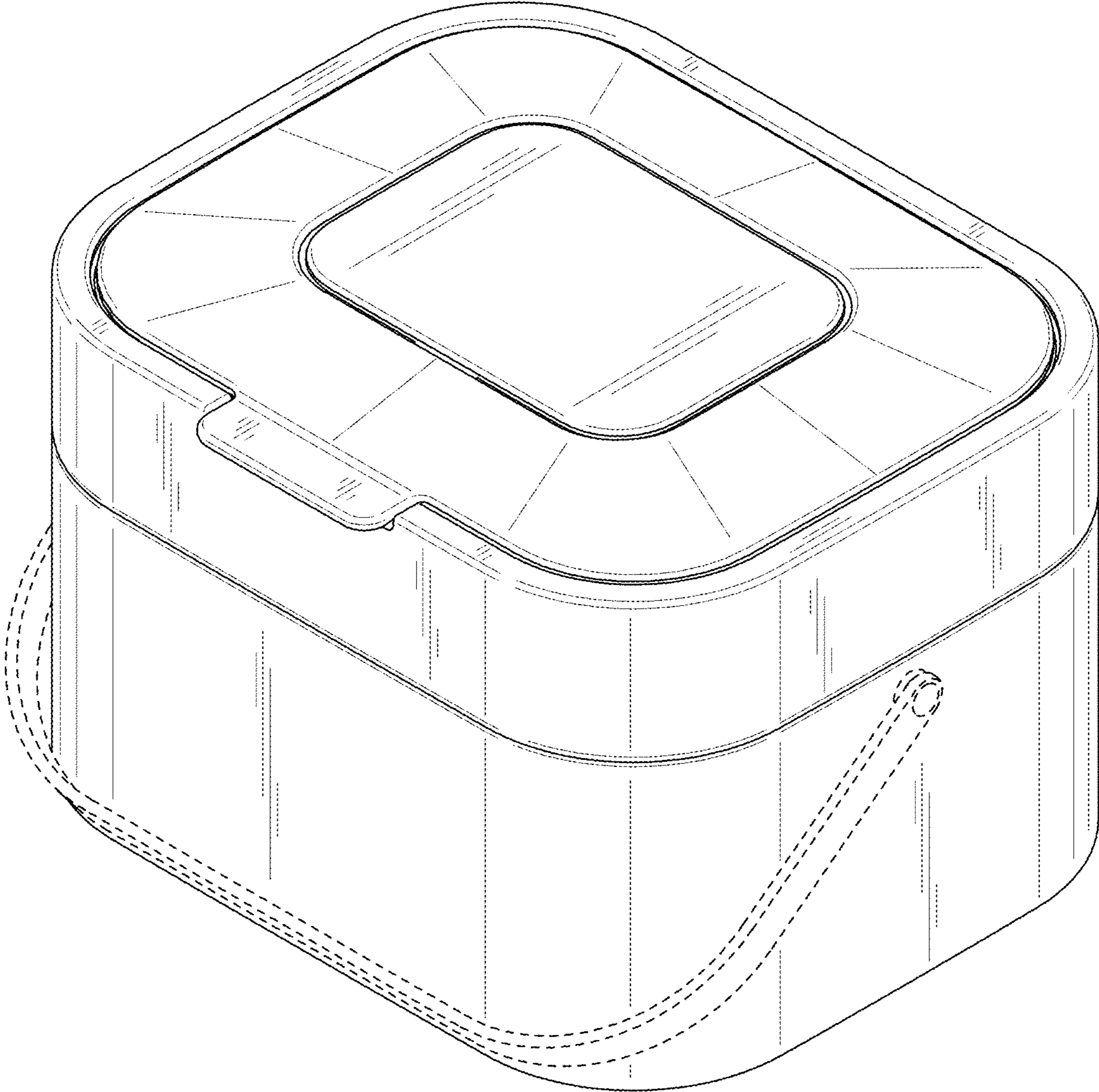


FIG. 1

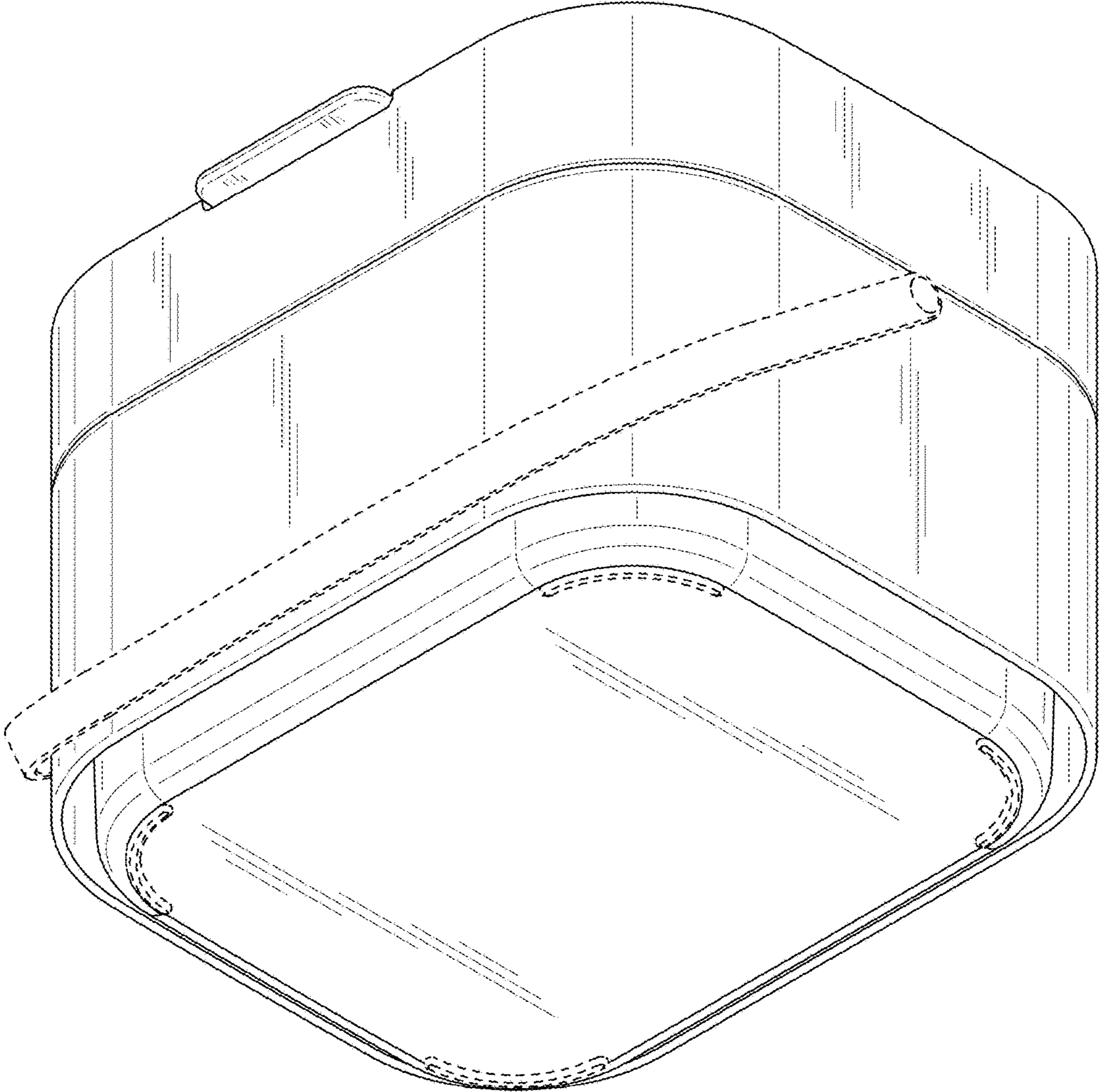


FIG. 2

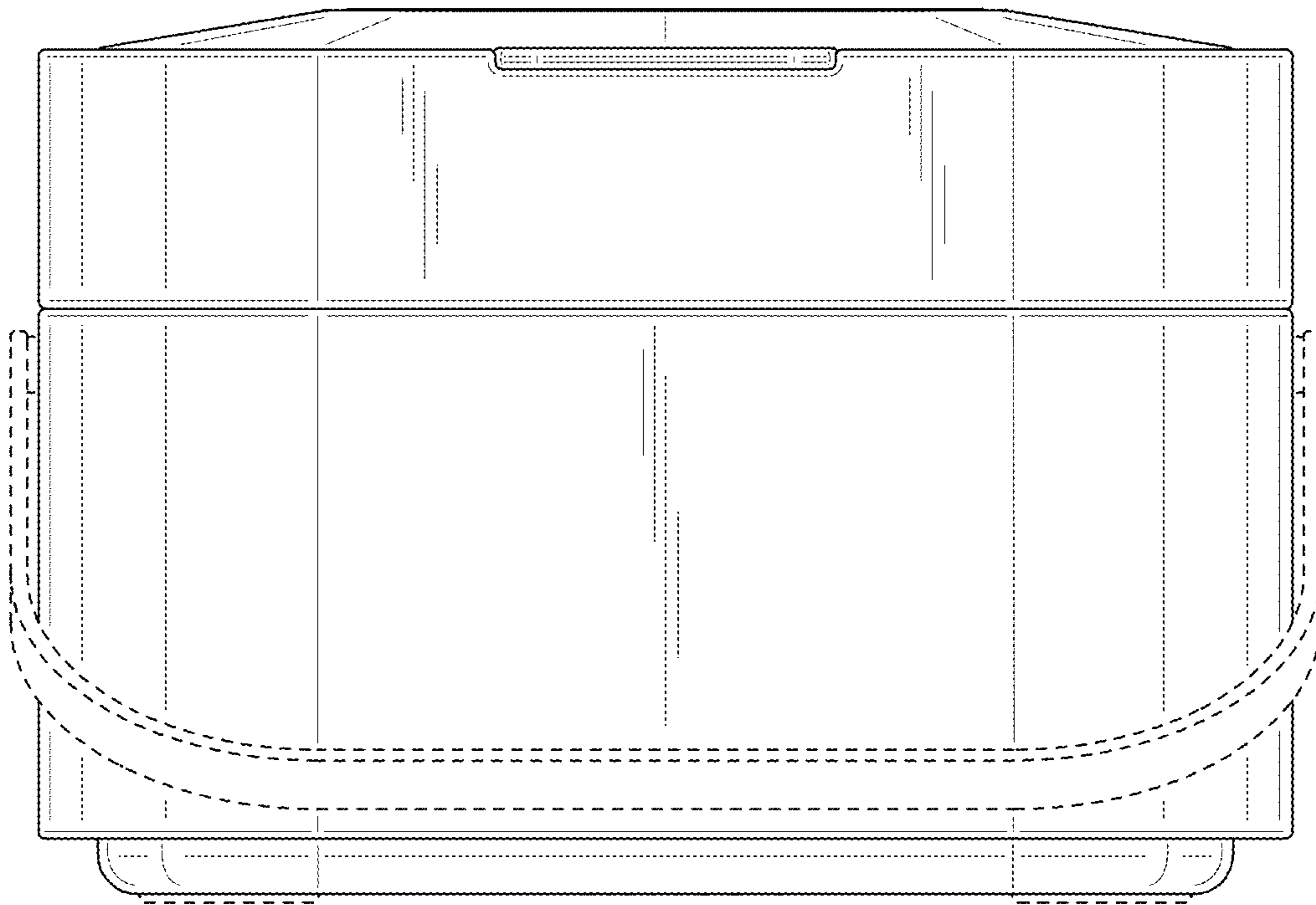


FIG. 3

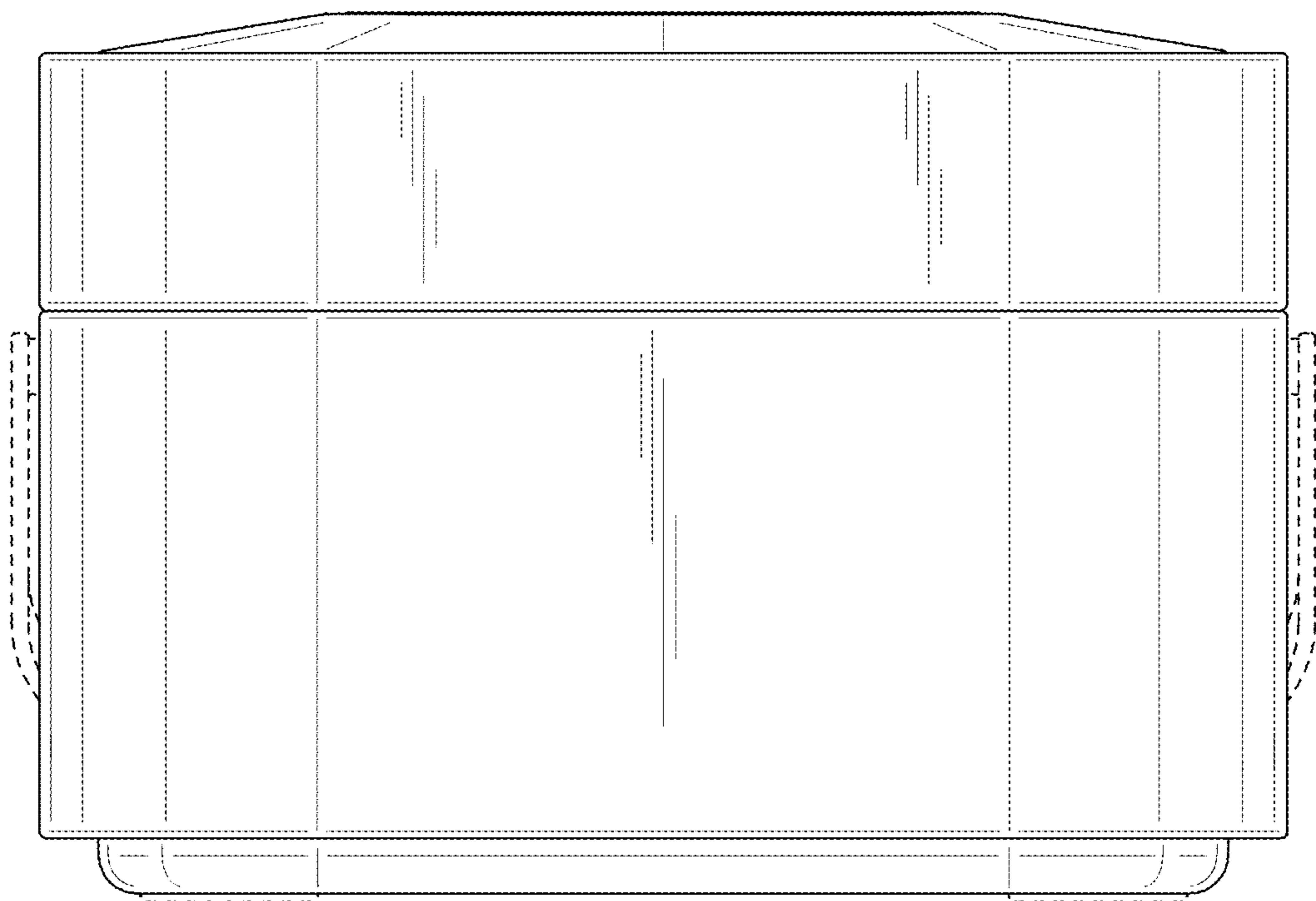


FIG. 4

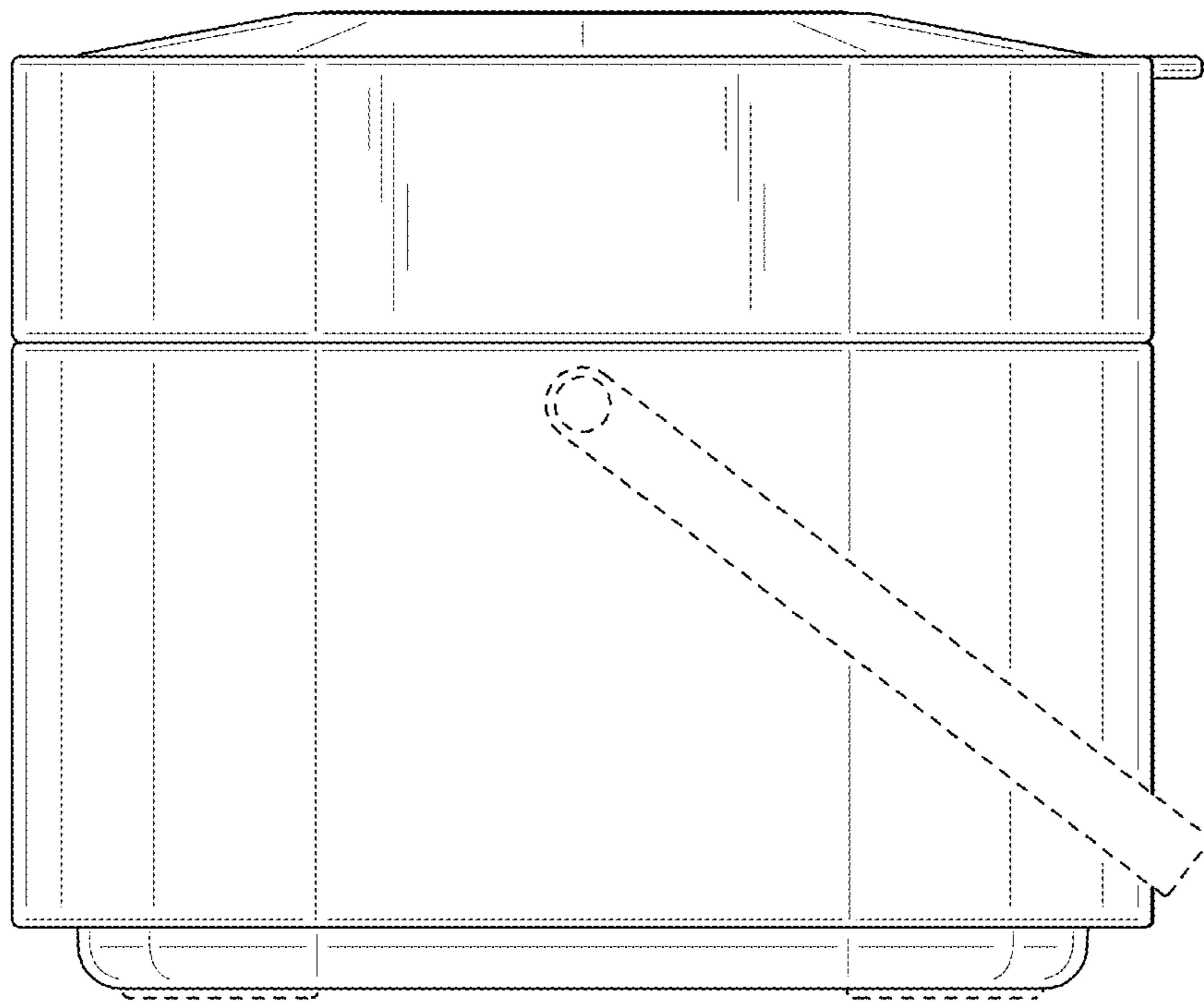


FIG. 5

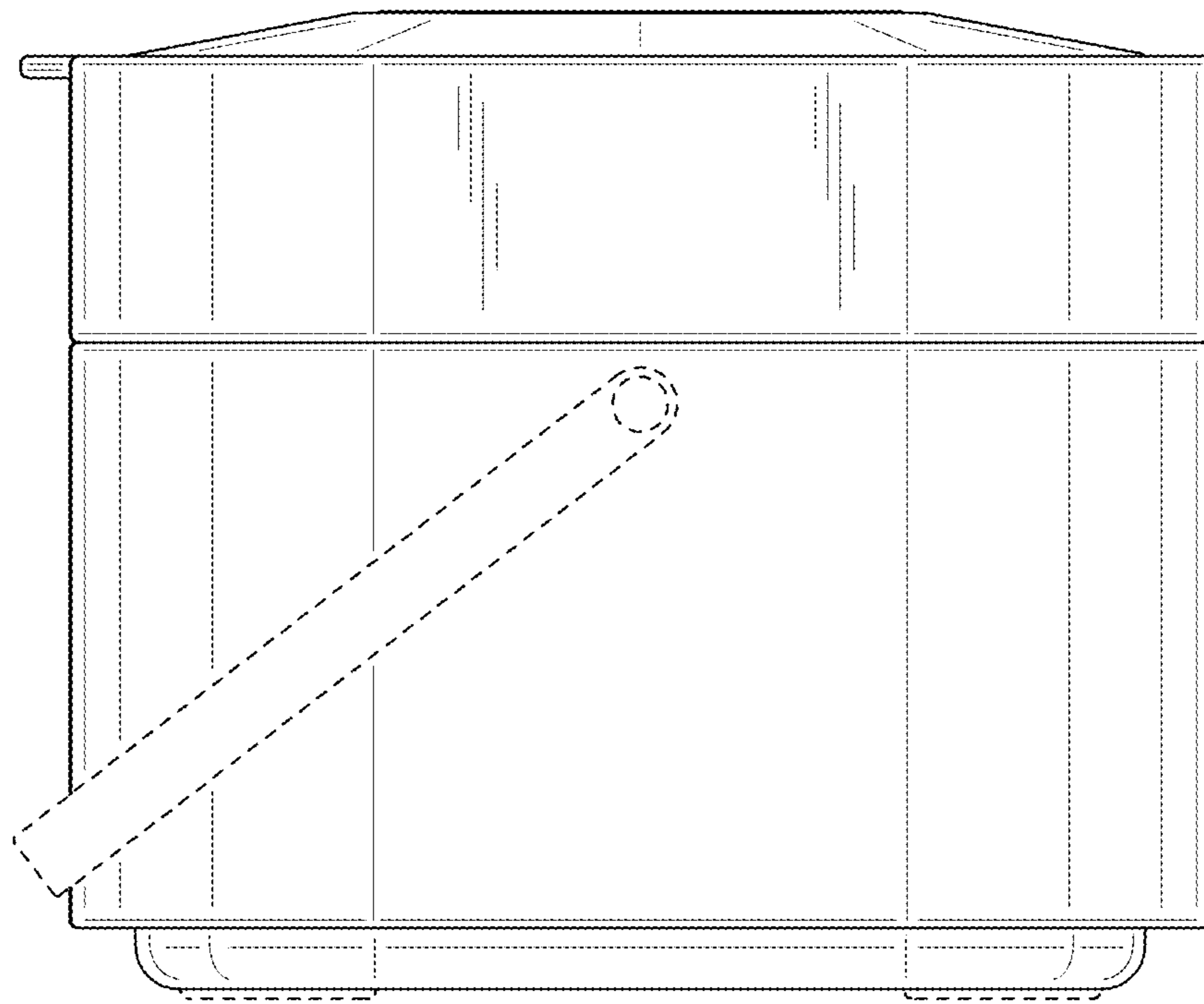


FIG. 6

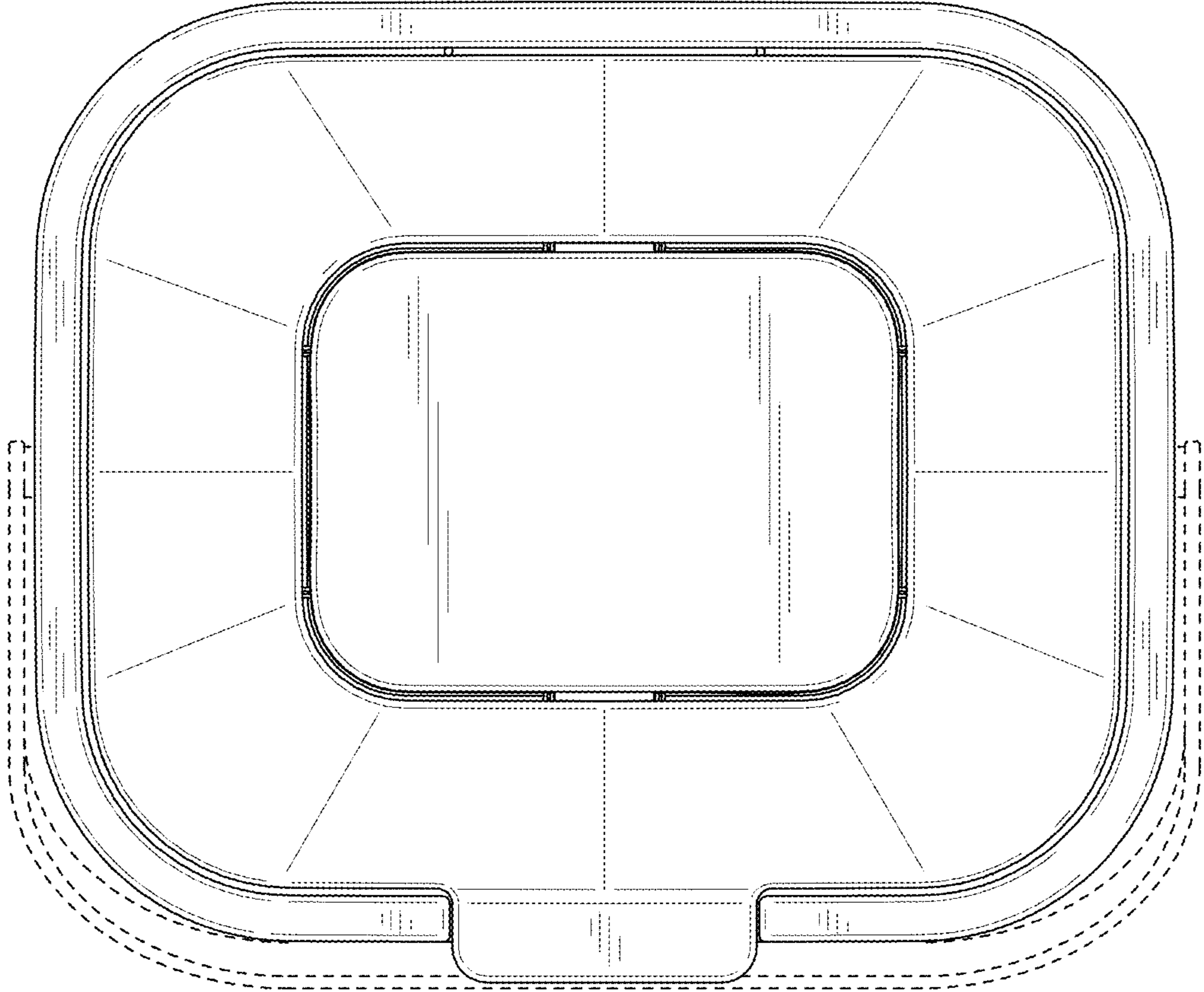


FIG. 7

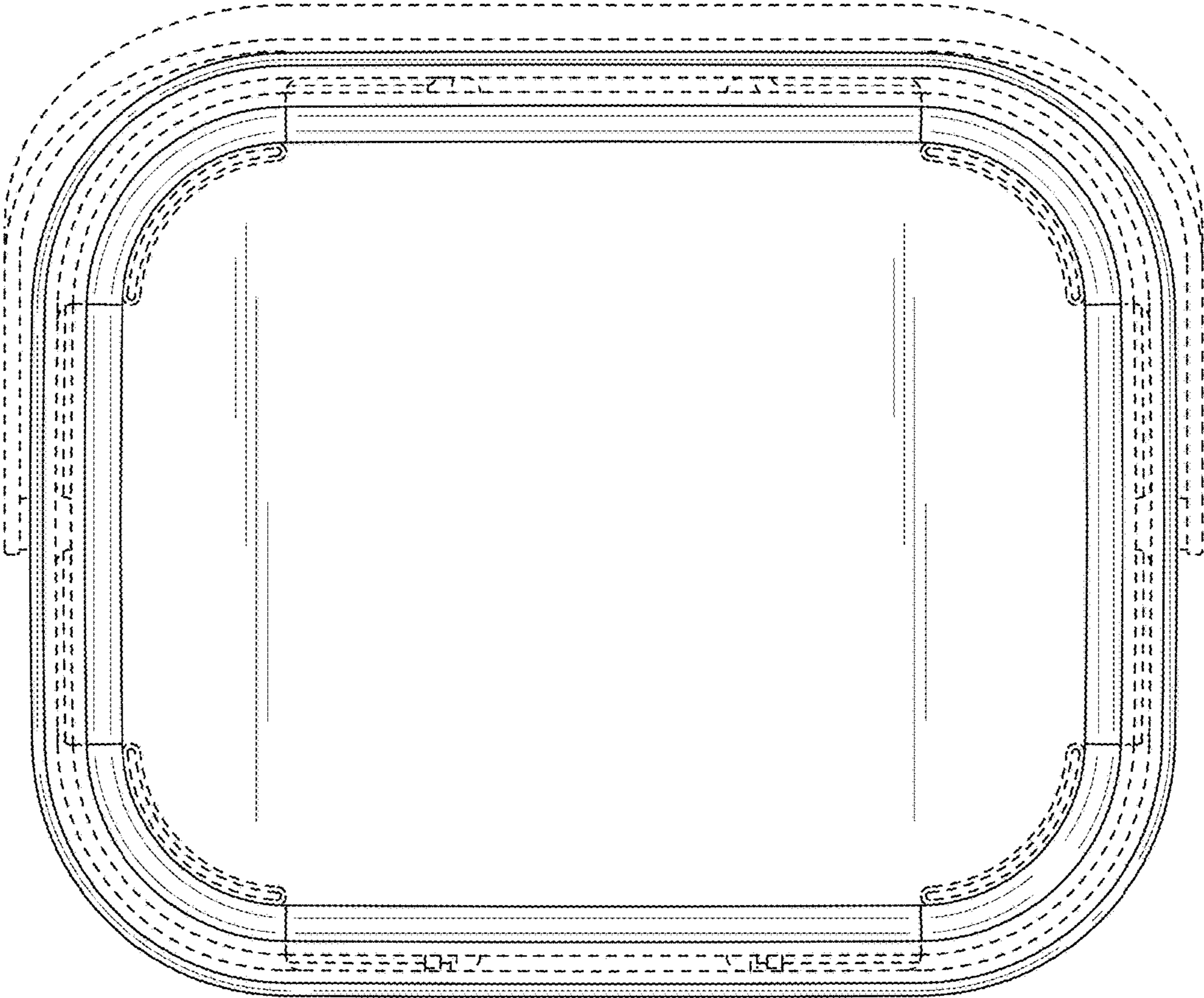


FIG. 8

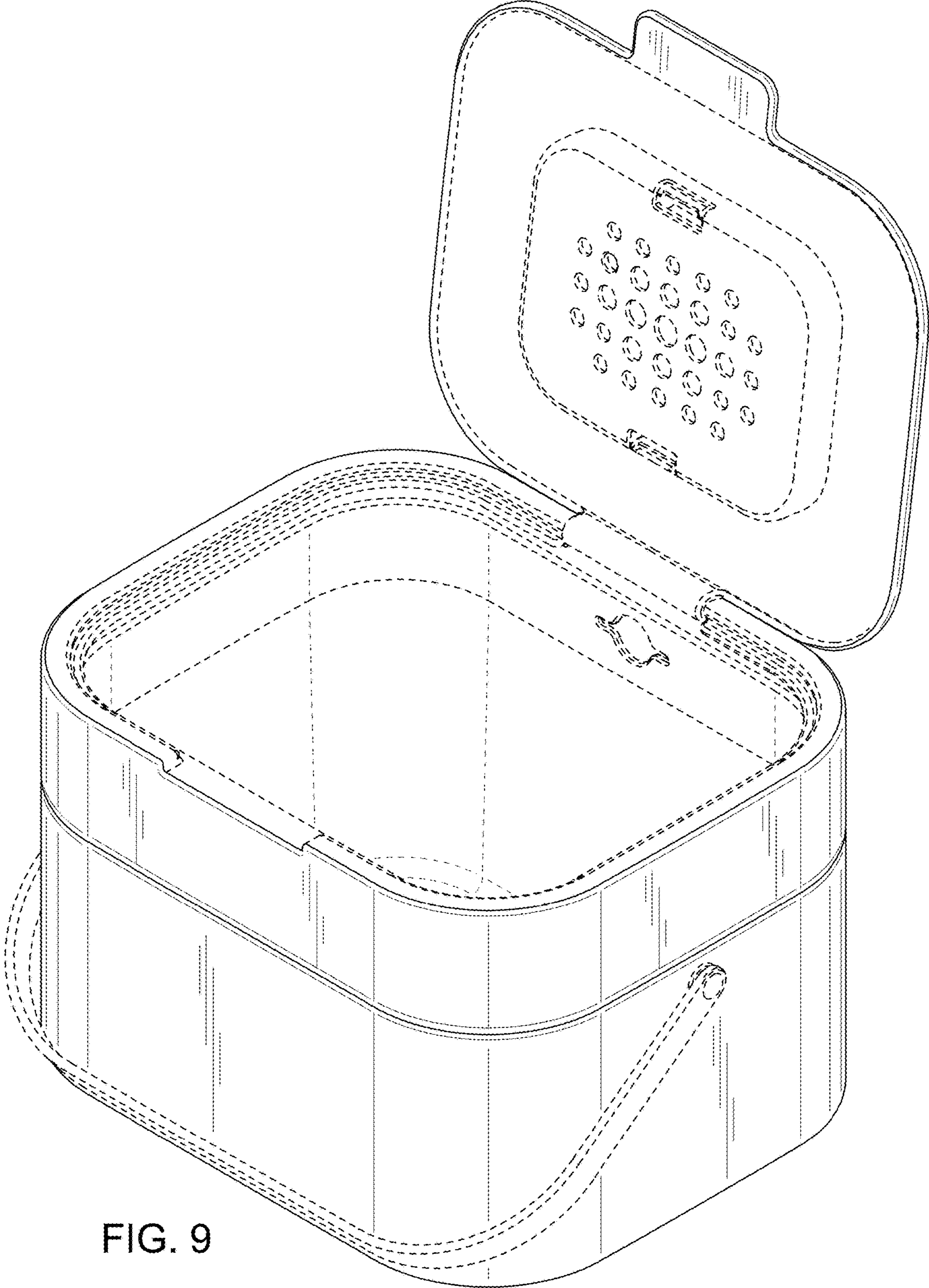


FIG. 9

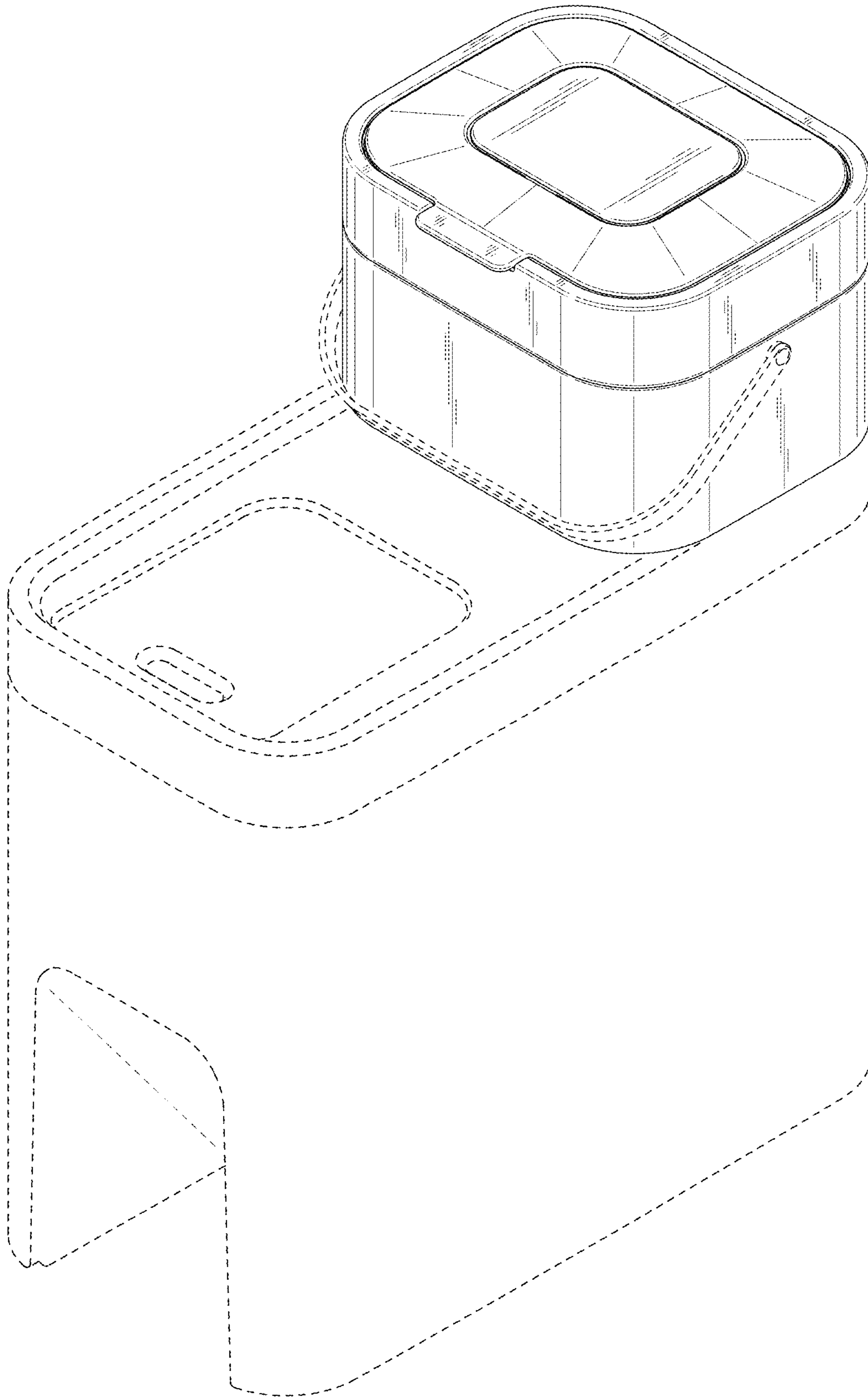


FIG. 10