



US00D806972S

(12) **United States Design Patent** (10) **Patent No.:** **US D806,972 S**
Foss et al. (45) **Date of Patent:** **** Jan. 2, 2018**

(54) **BUCKET AND LINER COMBINATION**

(71) Applicant: **Angry Dad LLC**, Pompton Plains, NJ (US)
(72) Inventors: **Glenn Foss**, Pompton Plains, NJ (US); **John Sebastiano**, Pompton Plains, NJ (US)
(73) Assignee: **Angry Dad LLC**, Pompton Plains, NJ (US)

(**) Term: **15 Years**

(21) Appl. No.: **29/550,561**

(22) Filed: **Jan. 5, 2016**

(51) **LOC (11) Cl.** **07-07**

(52) **U.S. Cl.**
USPC **D32/53**

(58) **Field of Classification Search**
USPC D32/53, 53.1, 54; 220/495.01, 495.02, 220/495.06, 570, 904; 15/257.05, 257.06, 15/264, 262; D34/7
CPC B65D 25/14; B65D 25/16; A47L 13/52; A47L 13/58; A47J 47/18; B44D 3/126
See application file for complete search history.

(56) **References Cited**

U.S. PATENT DOCUMENTS

268,481	A *	12/1882	Gorenflo	B65F 1/06 220/495.03
1,966,270	A *	7/1934	Trew	B65D 25/16 217/3 FC
2,630,938	A *	3/1953	Burnett	B65D 25/16 206/521
2,798,637	A *	7/1957	Wachter	B65F 1/06 220/495.01
3,150,811	A *	9/1964	Amberg	B65D 3/06 229/125.17
3,173,573	A *	3/1965	Donegan	B65D 1/32 220/495.02
3,495,736	A *	2/1970	Ragetti	A47J 47/18 206/515

(Continued)

OTHER PUBLICATIONS

U.S. Appl. No. 29/550,582, filed Jan. 5, 2016, Foss et al.

Primary Examiner — Robin V Webster

(74) *Attorney, Agent, or Firm* — Baker & Hostetler LLP

(57) **CLAIM**

We claim the ornamental design for a bucket and liner combination, as shown and described.

DESCRIPTION

This application incorporates by reference the disclosure of U.S. patent application Ser. No. 29/550,582, entitled Liner for Use with Bucket and Liner Combination, which is being filed concurrently with the present application.

FIG. 1 is an exploded perspective view of a bucket and liner combination according to our new design;

FIG. 2 is an assembled perspective view thereof;

FIG. 3 is a front view thereof;

FIG. 4 is a rear view thereof;

FIG. 5 is a left side view thereof;

FIG. 6 is a right side view thereof;

FIG. 7 is a top view thereof;

FIG. 8 is a bottom view thereof;

FIG. 9 is an exploded perspective view of the liner portion of the bucket and liner combination according to FIG. 1; FIG. 10 is an assembled perspective view of the liner shown in FIG. 9;

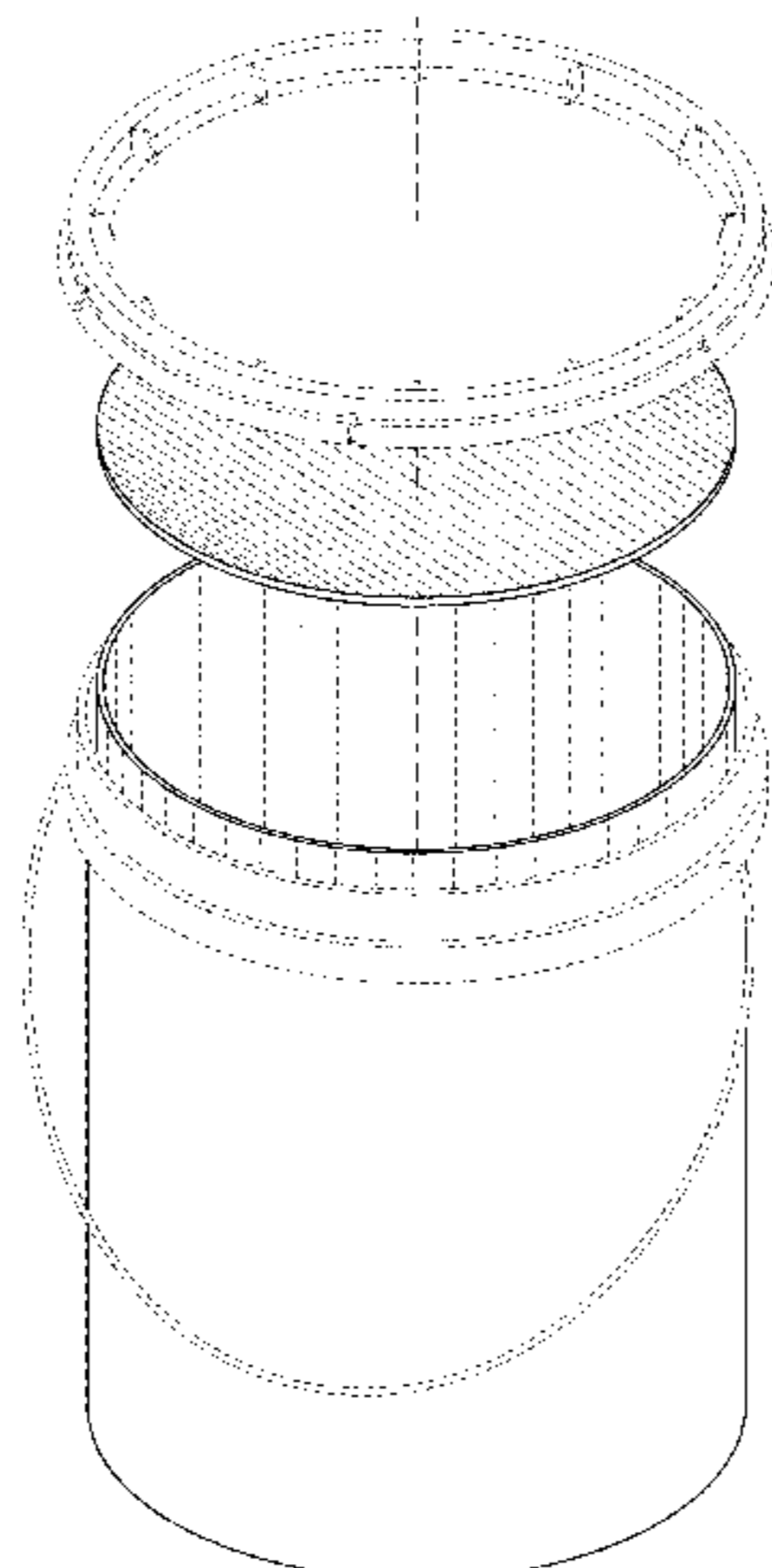
FIG. 11 is a front view of the liner shown in FIG. 9, the front view being identical to the rear view, the left side view, and the right side view; and

FIG. 12 is a top view of the liner shown in FIG. 9; and,

FIG. 13 is a bottom view of the liner shown in FIG. 9.

The broken lines in the drawings are to illustrate environment only and form no part of the claimed design.

1 Claim, 11 Drawing Sheets



(56)

References Cited

U.S. PATENT DOCUMENTS

D257,668 S * 12/1980 Ahern D32/54
5,035,344 A * 7/1991 Christopher B65D 45/24
215/236
5,598,942 A * 2/1997 Cowie B65F 1/06
220/495.01
6,189,697 B1 * 2/2001 Davis A45C 11/008
206/373
6,260,730 B1 * 7/2001 Fellman B44D 3/122
220/23.83
6,679,398 B1 * 1/2004 O'Brien B44D 3/12
220/495.02
D645,627 S * 9/2011 Arvinte D32/53
D656,697 S * 3/2012 McNeil D32/53
8,268,417 B2 * 9/2012 Helou, Jr. B65D 65/466
206/524.3

* cited by examiner

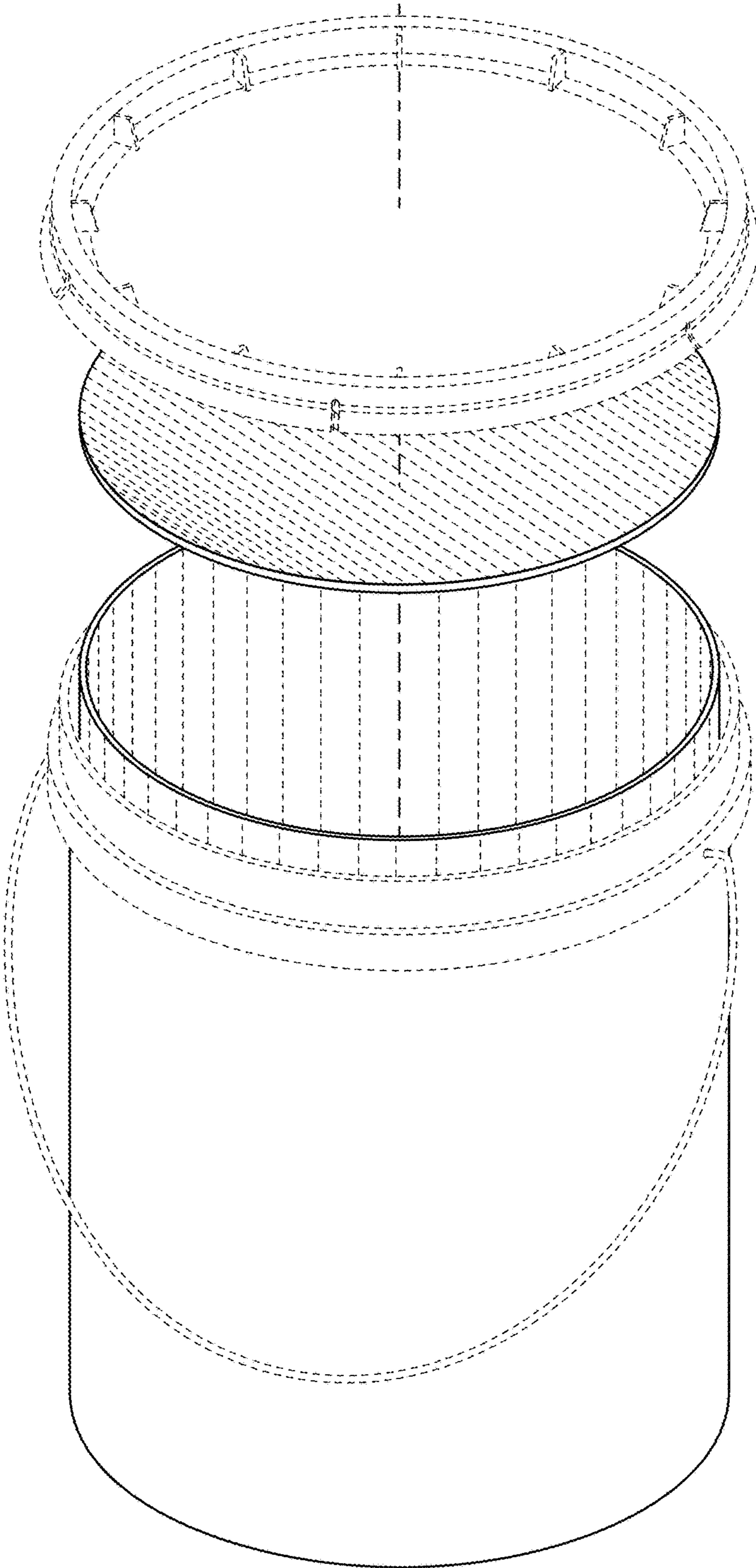


FIG. 1

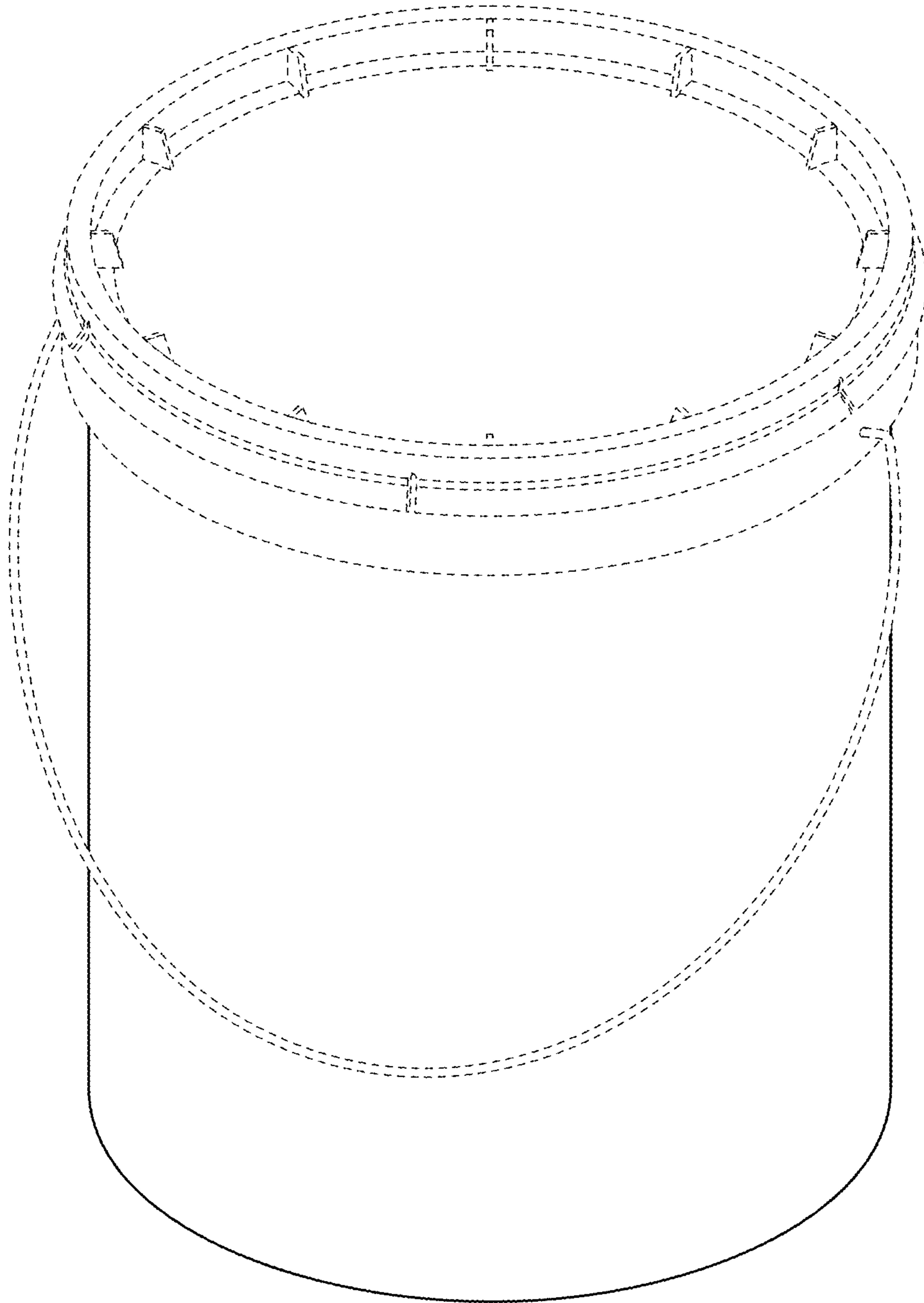


FIG. 2

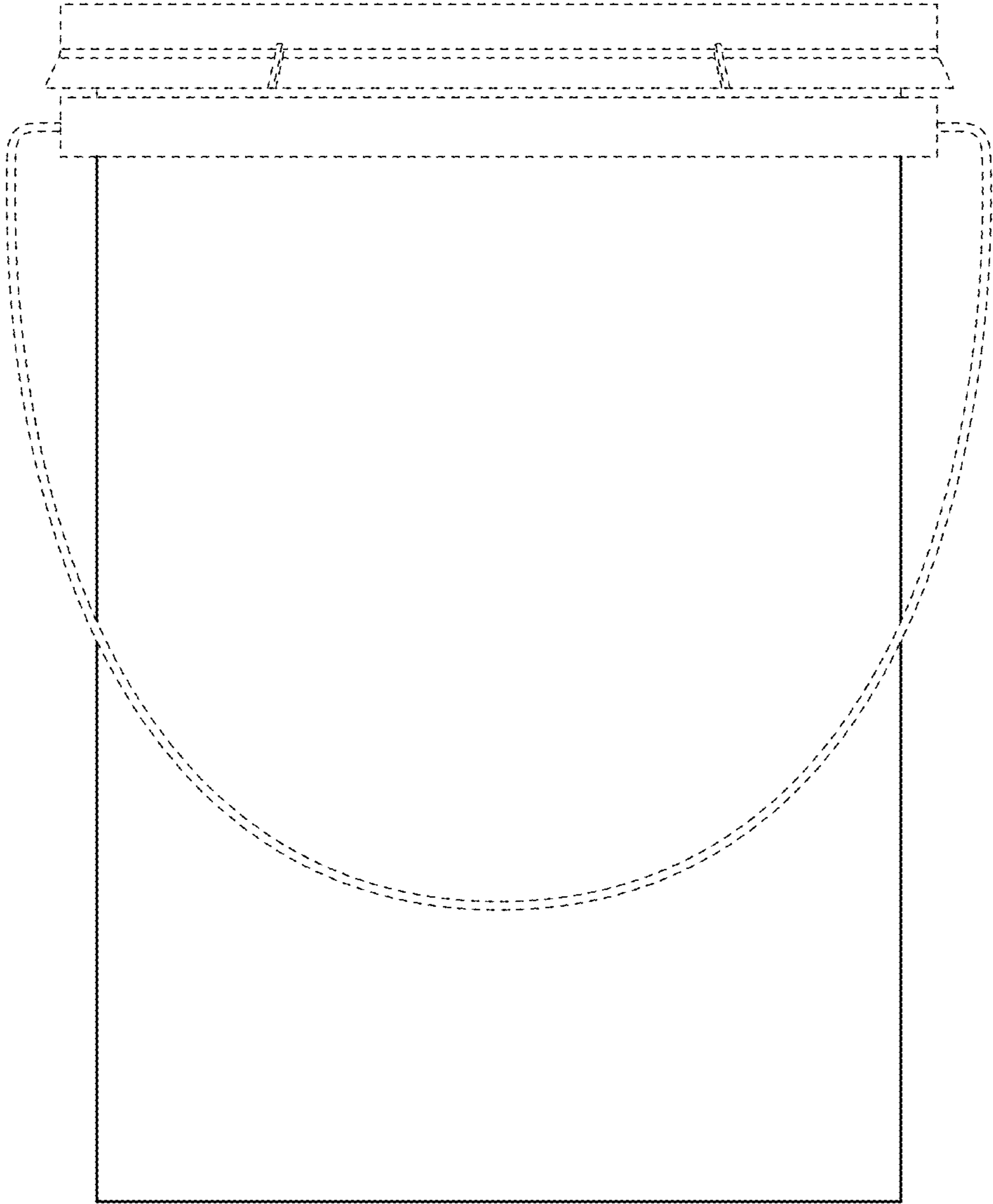


FIG. 3

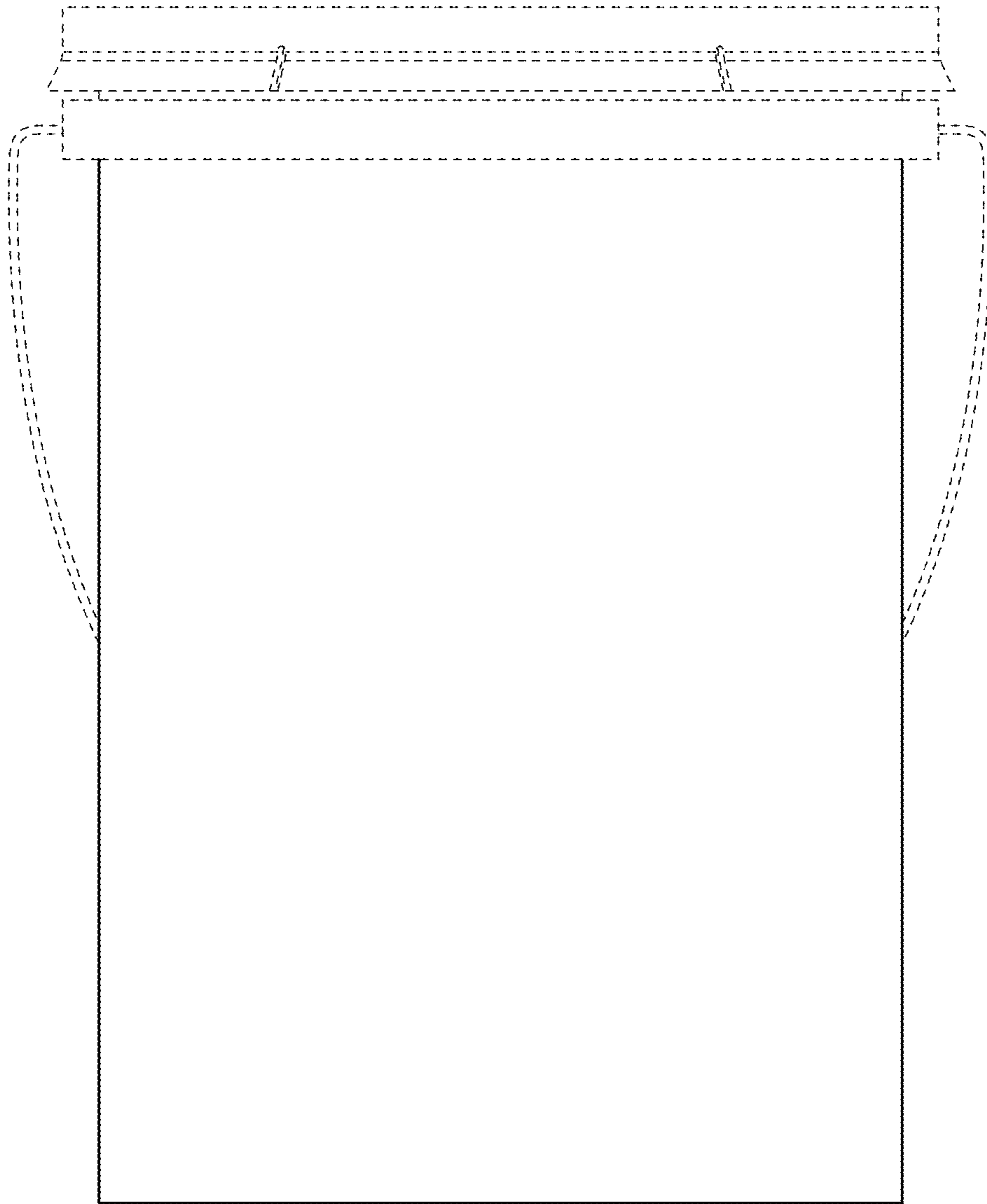


FIG. 4

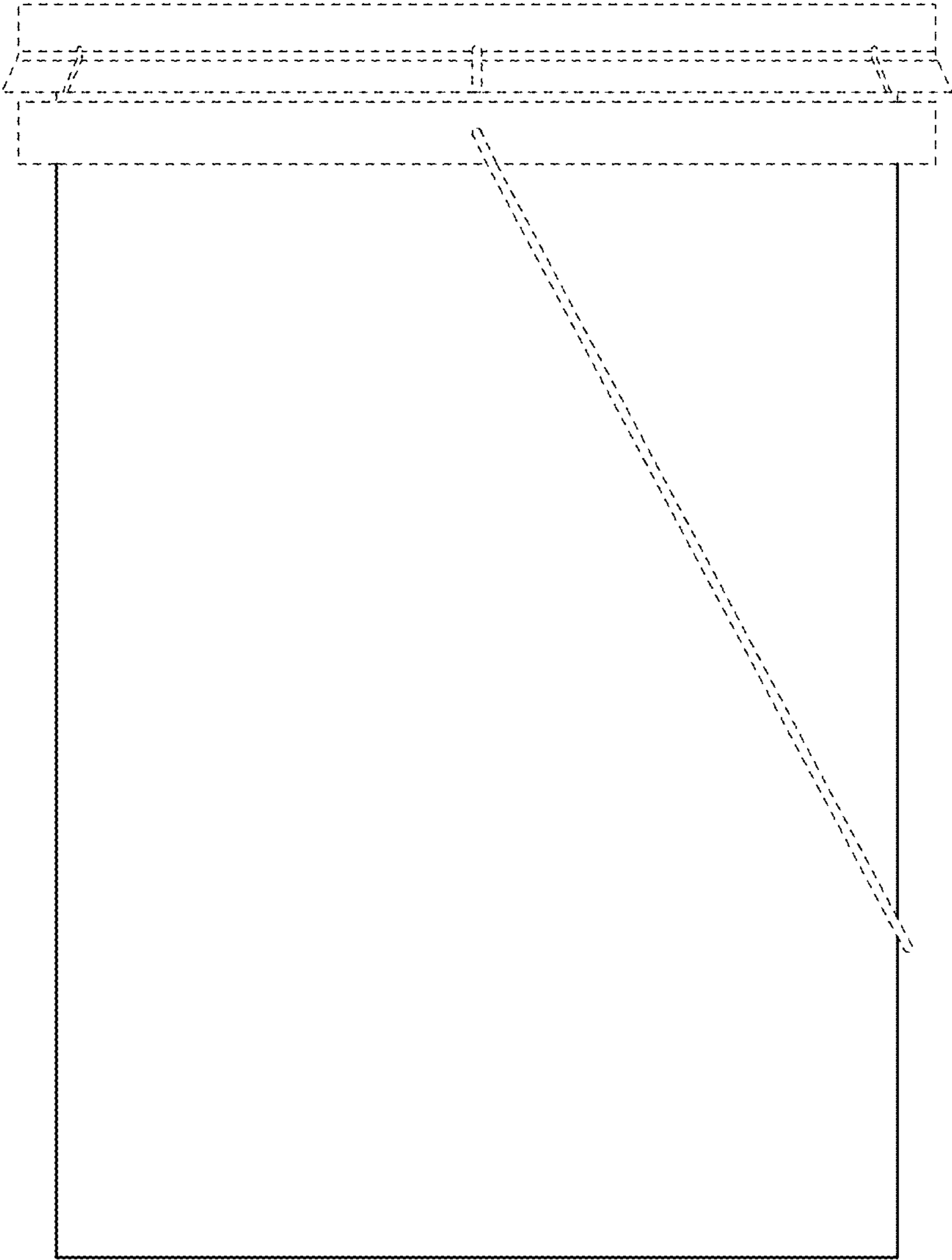


FIG. 5

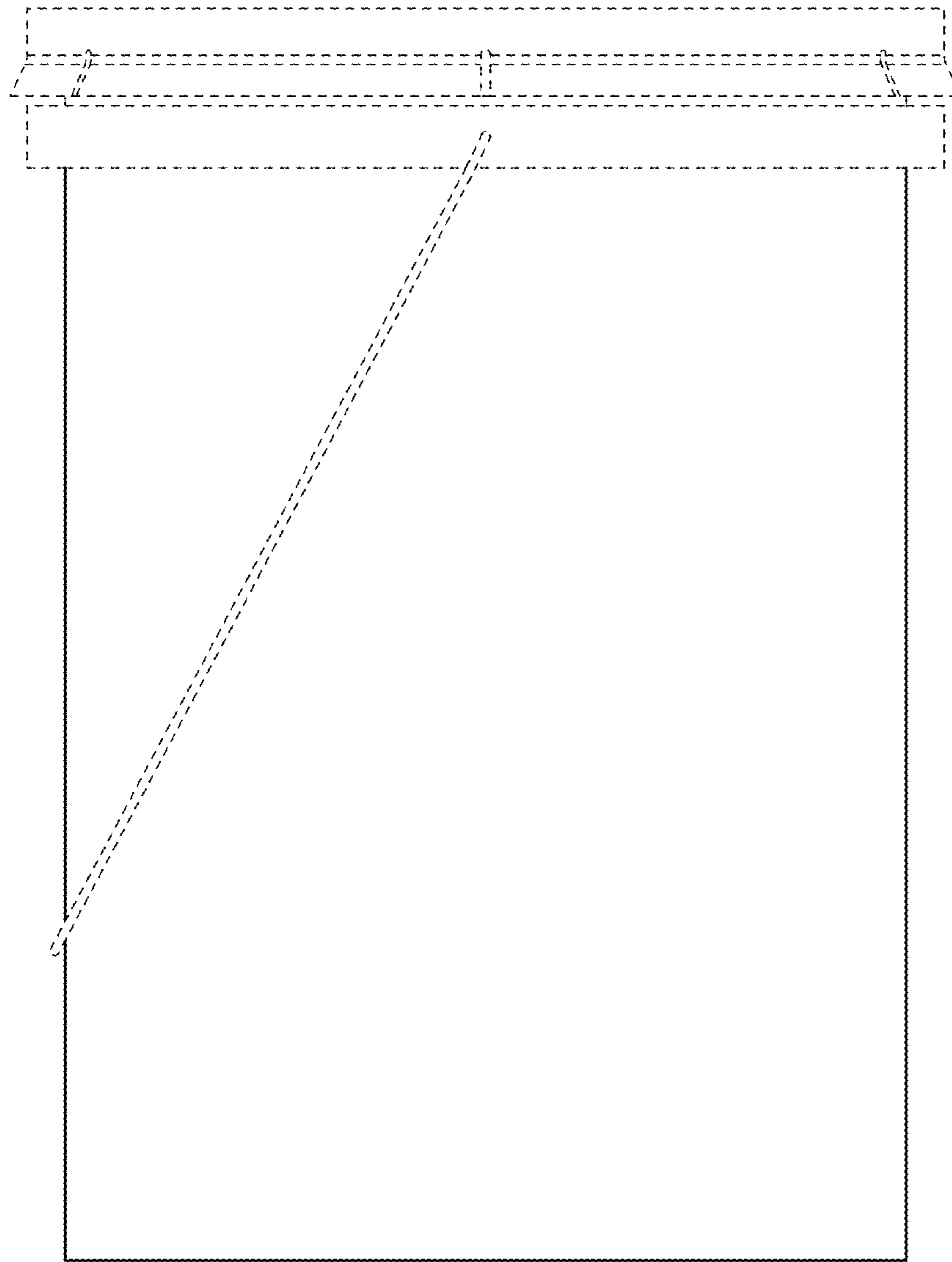


FIG. 6

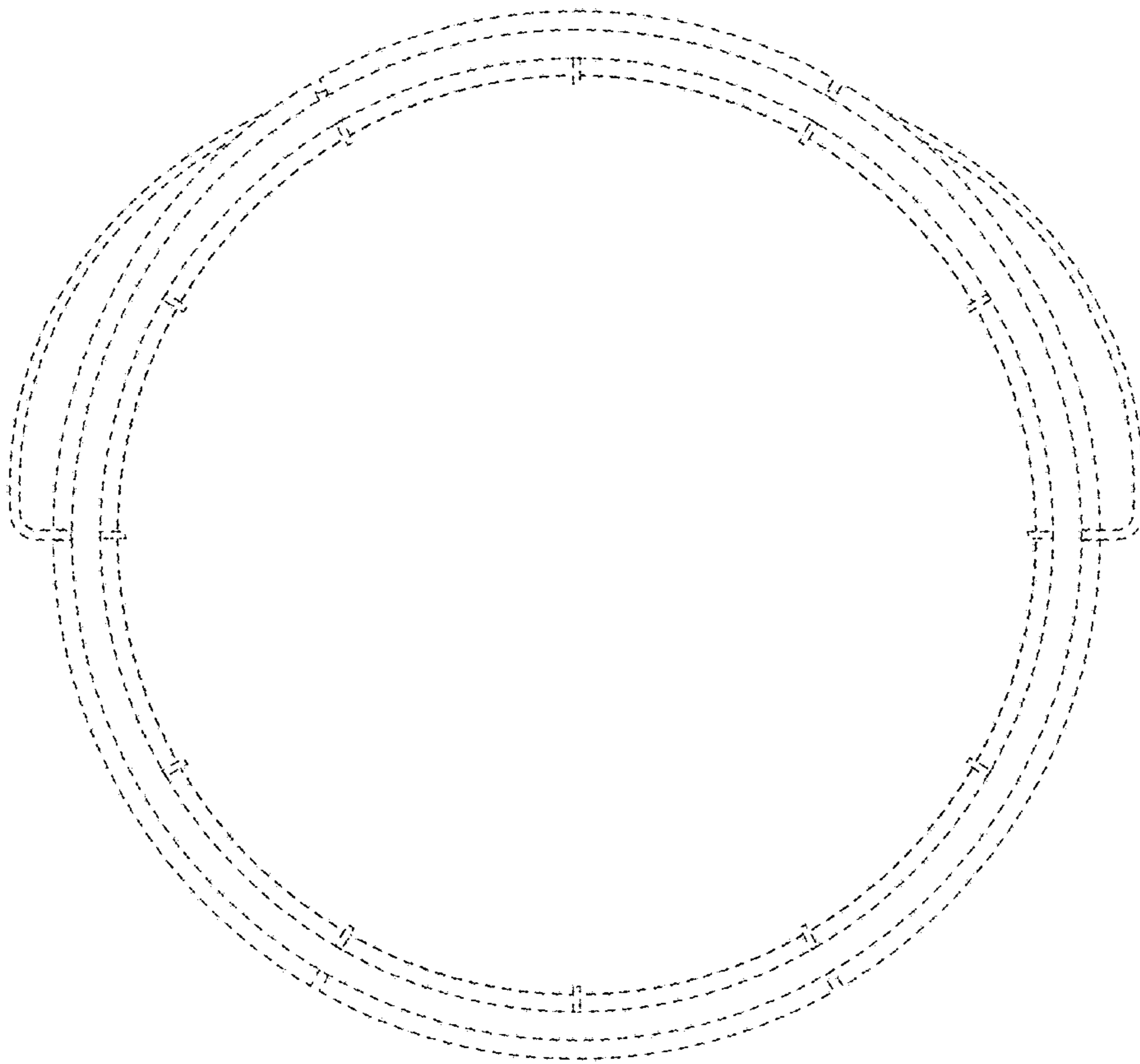


FIG. 7

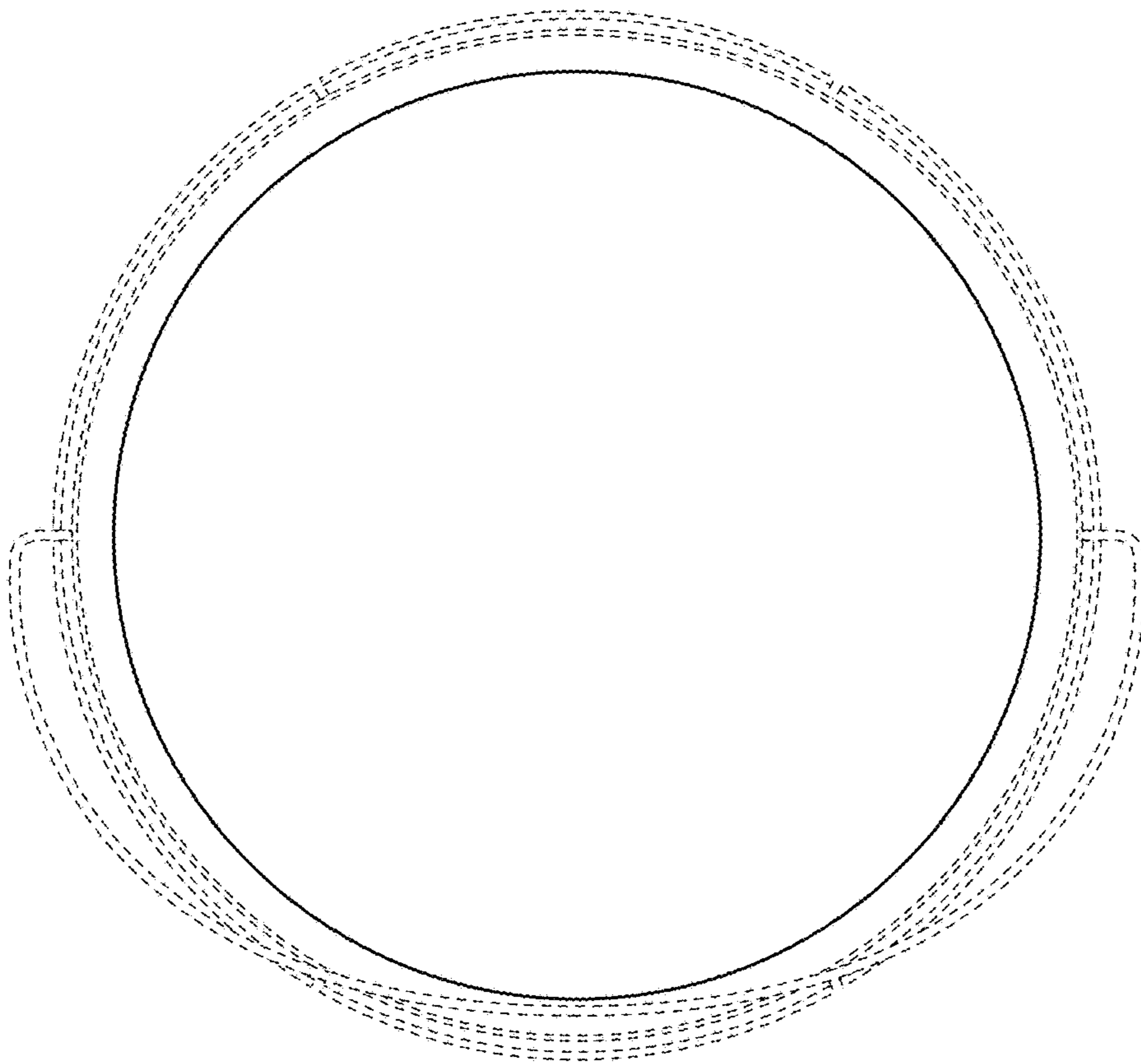


FIG. 8

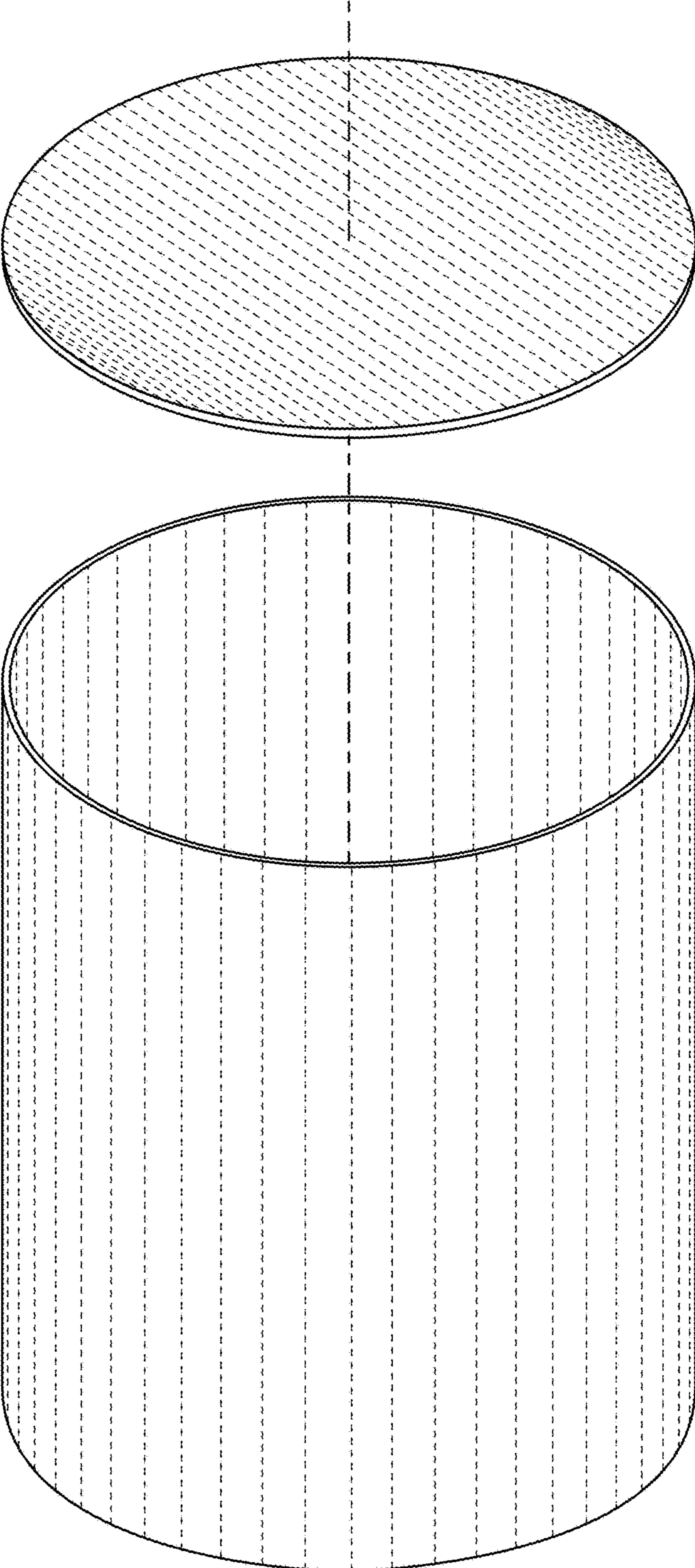


FIG. 9

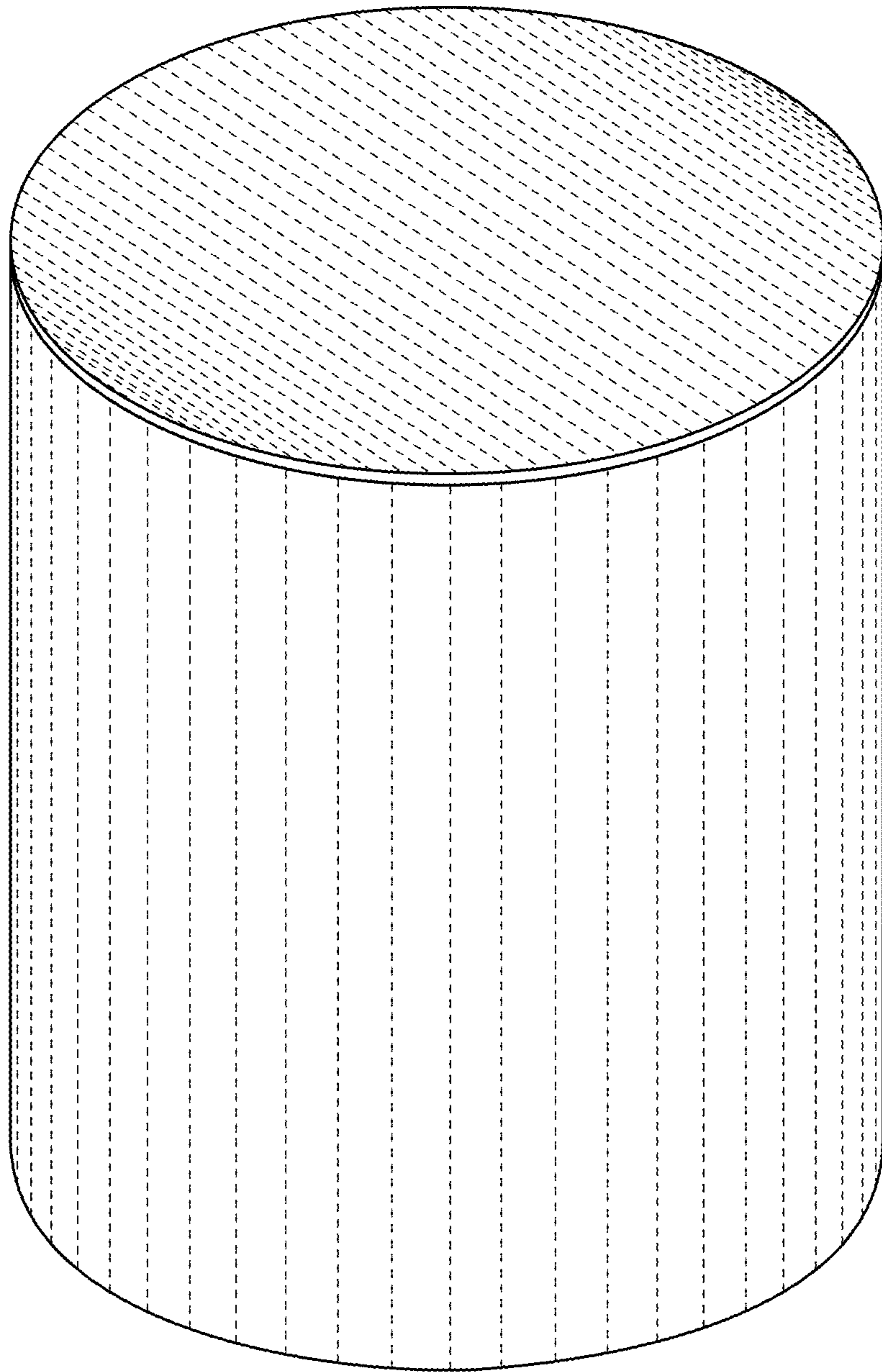


FIG. 10

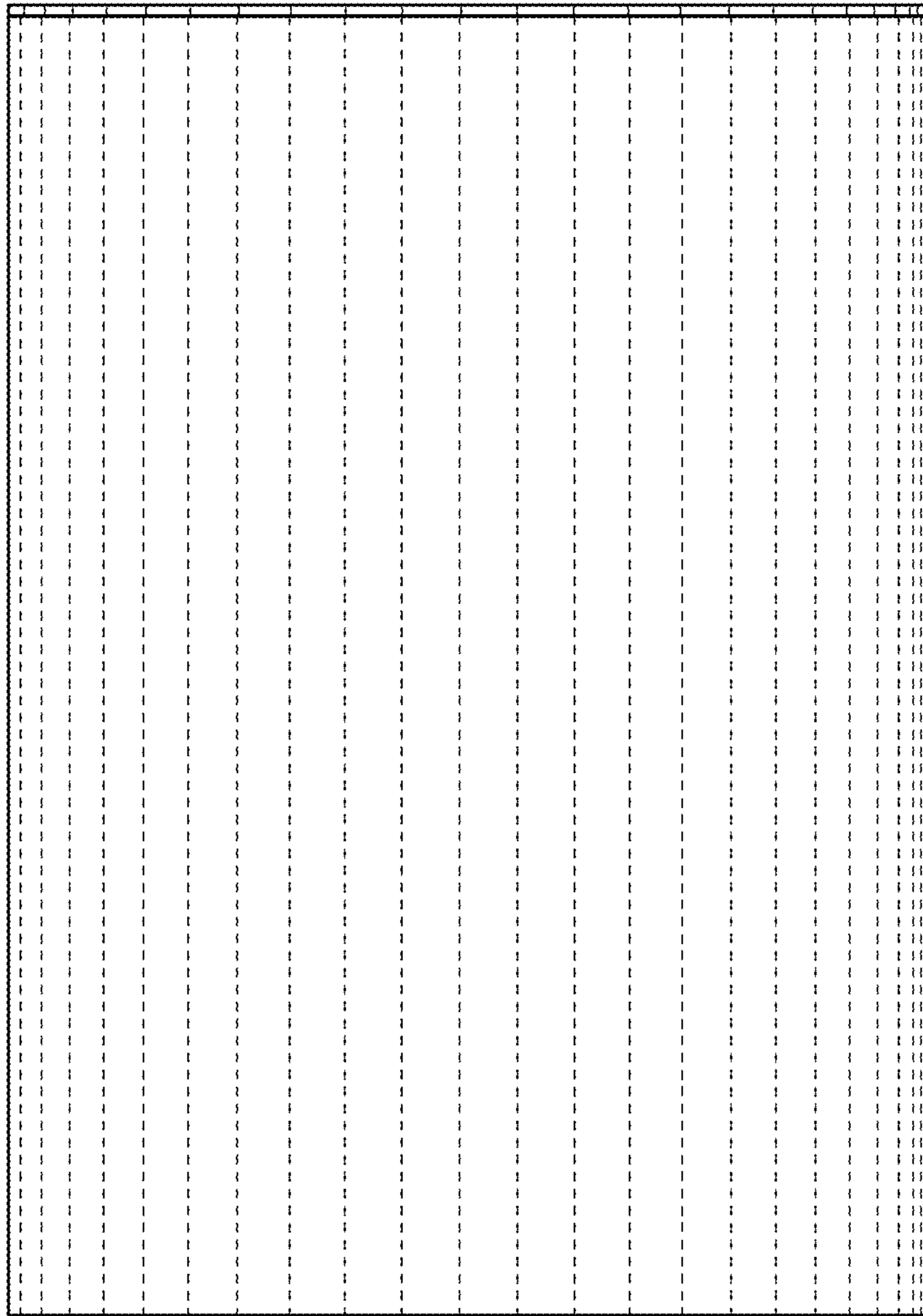


FIG. 11

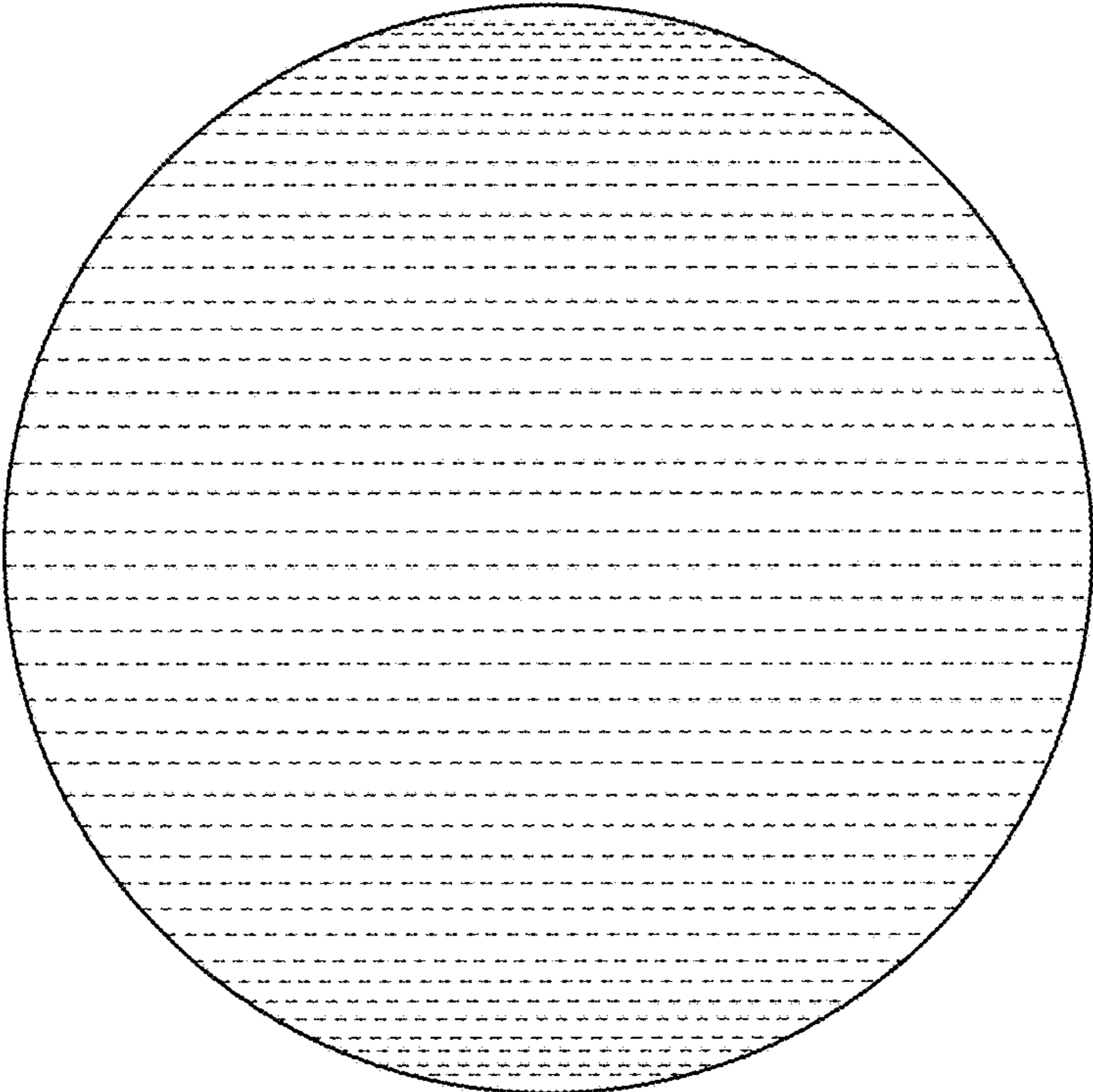


FIG. 12

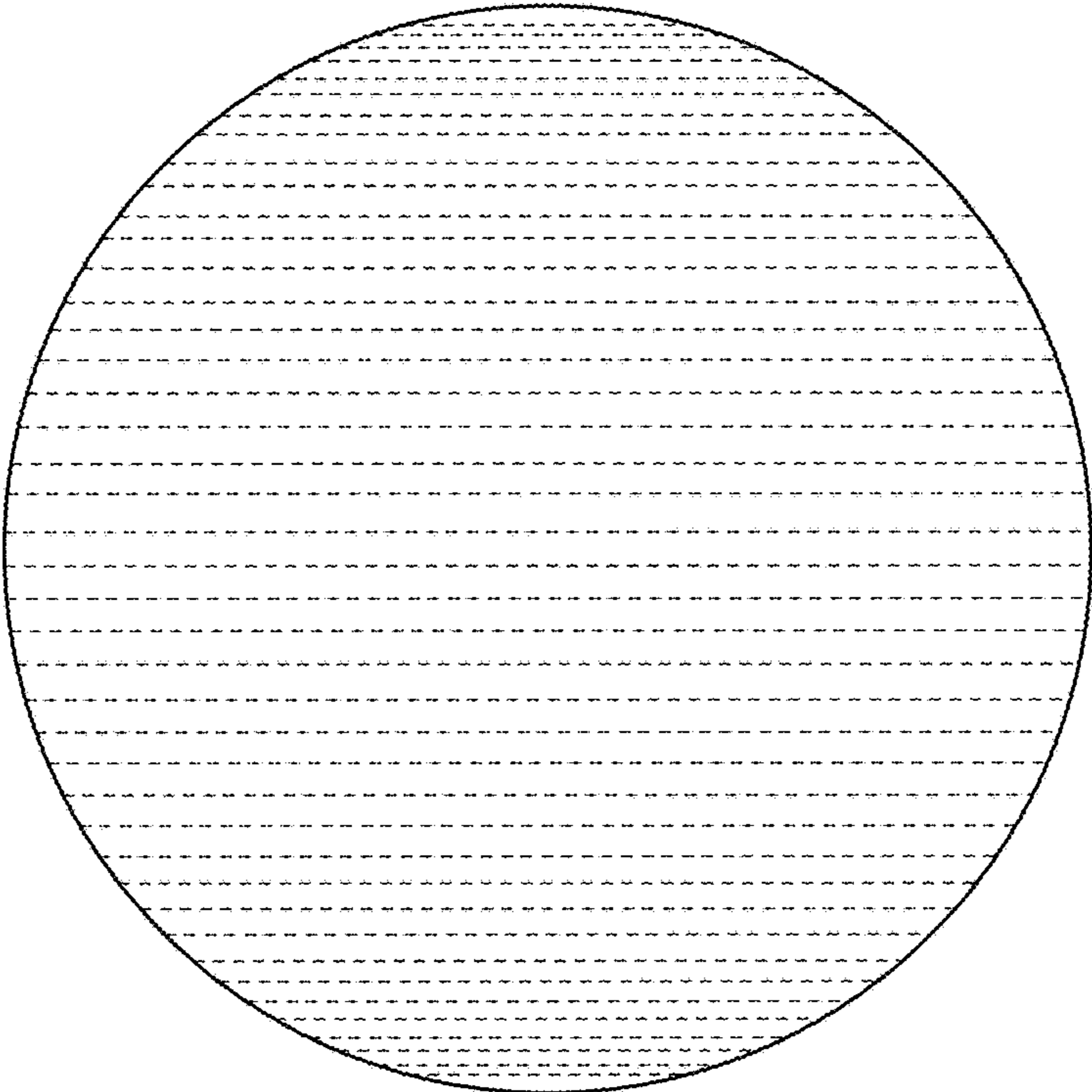


FIG. 13