



US00D806971S

(12) **United States Design Patent**
Woo et al.

(10) **Patent No.:** **US D806,971 S**
(45) **Date of Patent:** **** Jan. 2, 2018**

(54) **VACUUM CLEANER**

FOREIGN PATENT DOCUMENTS

(71) Applicant: **Samsung Electronics Co., Ltd.**,
Suwon-si, Gyeonggi-do (KR)

EM 002240200-0004 5/2014
KR 30-0323805 5/2003
KR 30-0745193 1/2015

(72) Inventors: **Sangsung Woo**, Seoul (KR); **Sangmin Hyun**, Seoul (KR); **Jongchan Kwon**,
Yongin-si (KR); **Seo Lee**, Yongin-si
(KR); **Yangjic Lee**, Gwacheon-si (KR)

OTHER PUBLICATIONS

Bissell 60P4 VAC & Shine Cordless Stick Vac & Wet Mop Parts,
website 2017, <http://www.vacsite.com/en/bissell-parts-1/bissell-parts/60p4-vac-and-shine-series.html>, site visited Mar. 6, 2017.*

(73) Assignee: **SAMSUNG ELECTRONICS CO., LTD.**,
Suwon-si, Gyeonggi-Do (KR)

(Continued)

(**) Term: **15 Years**

Primary Examiner — John Windmuller

(21) Appl. No.: **29/540,578**

Assistant Examiner — John R Yeh

(22) Filed: **Sep. 25, 2015**

(74) *Attorney, Agent, or Firm* — Ladas & Parry LLP

(30) **Foreign Application Priority Data**

(57) **CLAIM**

Mar. 26, 2015 (KR) 30-2015-0015425

We claim the ornamental design for a vacuum cleaner, as shown and described.

(51) **LOC (11) Cl.** **07-05**

DESCRIPTION

(52) **U.S. Cl.**
USPC **D32/45**

(58) **Field of Classification Search**
USPC D32/40–45, 50–52, 17–18, 20–24
CPC A47L 13/02; A47L 13/22; A47L 13/24;
A47L 13/26

See application file for complete search history.

(56) **References Cited**

U.S. PATENT DOCUMENTS

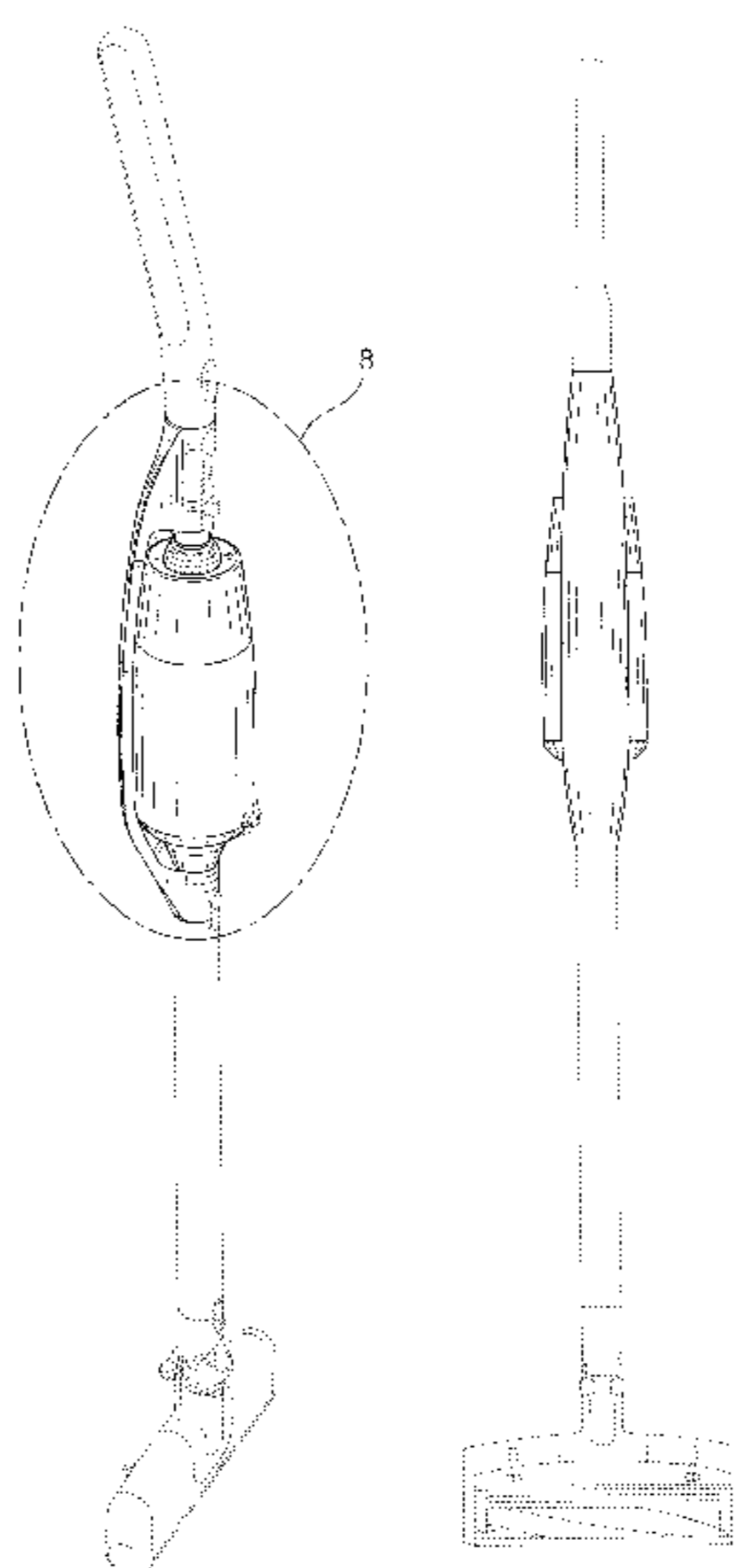
D114,601 S * 5/1939 Rosen et al. D32/45
D312,517 S * 11/1990 Hohrein, II D32/21
D318,152 S * 7/1991 Pudwill D30/162
D383,578 S * 9/1997 Ho D32/22
D405,929 S * 2/1999 Sovis D32/22
D486,949 S * 2/2004 Rader D32/45
D488,896 S 4/2004 Leyden
D514,267 S * 1/2006 Tsai D32/45
D548,909 S * 8/2007 Murray D32/45

(Continued)

FIG. 1 is a perspective view of a vacuum cleaner showing our new design.
FIG. 2 is a front view thereof;
FIG. 3 is a rear view thereof;
FIG. 4 is a left-side view thereof;
FIG. 5 is a right-side view thereof;
FIG. 6 is a top view thereof;
FIG. 7 is a bottom view thereof;
FIG. 8 is an enlarged view of the encircled portion 8 of FIG. 1;
FIG. 9 is an enlarged view of the encircled portion 9 of FIG. 6; and,
FIG. 10 is an enlarged view of the encircled portion 10 of FIG. 7.

The broken lines in the figures represent portions of the vacuum cleaner that form no part of the claimed design.

1 Claim, 10 Drawing Sheets



(56)

References Cited

U.S. PATENT DOCUMENTS

D550,410 S * 9/2007 Khalil D32/18
D602,664 S * 10/2009 Crawford D32/40
D625,481 S * 10/2010 Raven D32/51
D637,775 S * 5/2011 Penrow D32/21
D643,980 S * 8/2011 Kim D32/22
D657,518 S * 4/2012 McGee D32/45
D658,835 S * 5/2012 Houghton D32/45
D661,035 S * 5/2012 McGee D32/45
D690,062 S 9/2013 Luedke et al.
D704,399 S * 5/2014 Crawley D32/17
D711,058 S * 8/2014 Crawley D32/45
D731,724 S * 6/2015 Cheon D32/22
D747,054 S * 1/2016 Seifts D32/45
D765,332 S * 8/2016 Niedzwecki D32/45
2002/0144369 A1 * 10/2002 Biggs A47L 13/20
15/143.1
2007/0136984 A1 * 6/2007 Hsu A47L 5/225
15/339
2016/0345794 A1 * 12/2016 Zhu A47L 13/42

OTHER PUBLICATIONS

Royal Pro Series Corded Electric Broom ER20000, website 2015,
<http://banksvac.com/royal-er20000-pro-series-corded-electric-broom>, site visited Mar. 6, 2017.*

Samsung FlexiSlim—test odkurzacza :: AGDLab.pl, web post date
Jan. 22, 2013, <http://agdlab.pl/testy/Samsung.FlexiSlim-test.odkurzacza,86>, site visited Mar. 6, 2017.*

KR Design Registration No. 30-0323805 English translation.

KR Design Registration No. 30-0745193 English translation.

* cited by examiner

FIG. 1

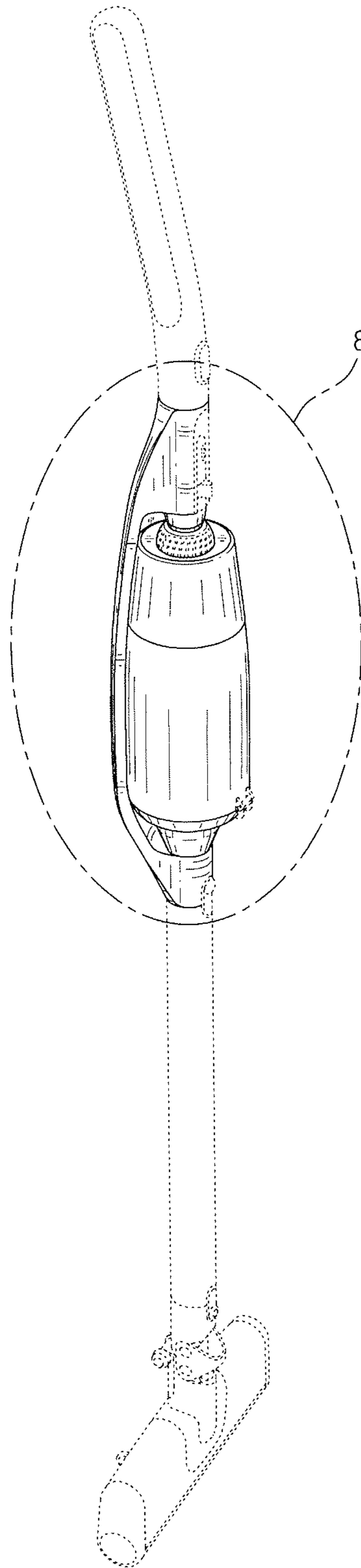


FIG. 2

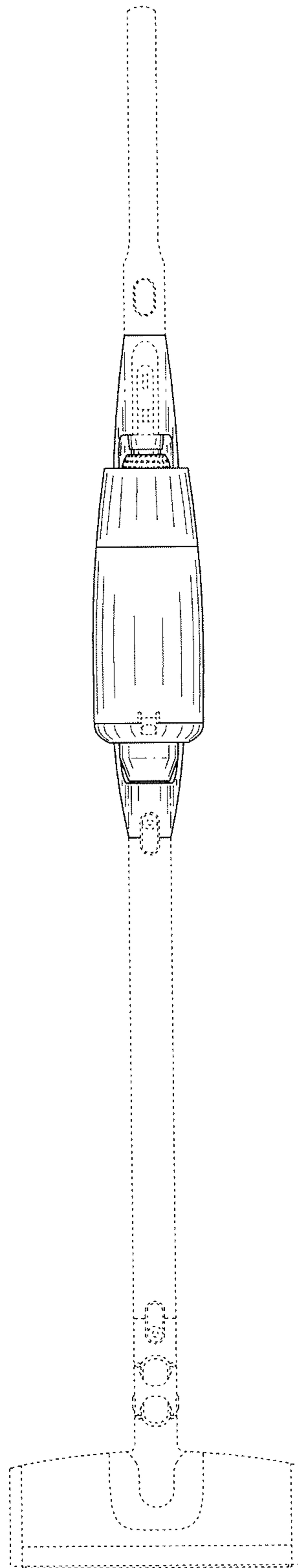


FIG. 3

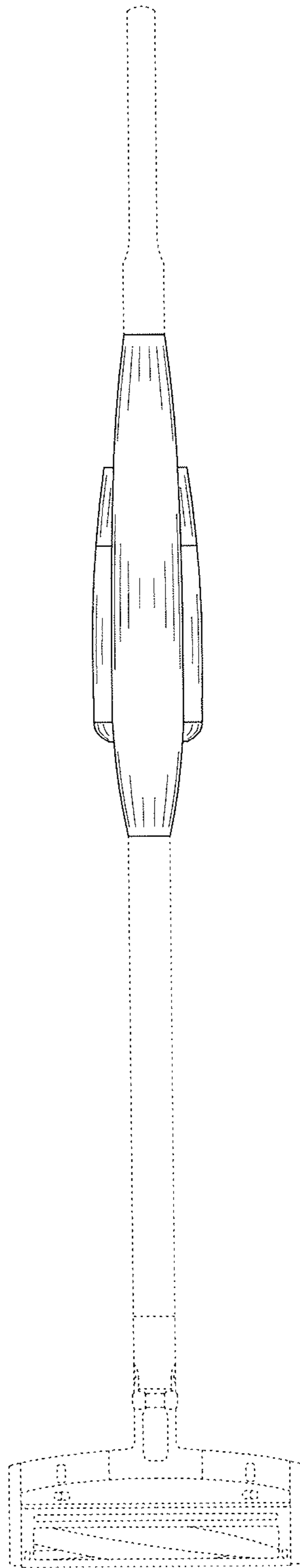


FIG. 4

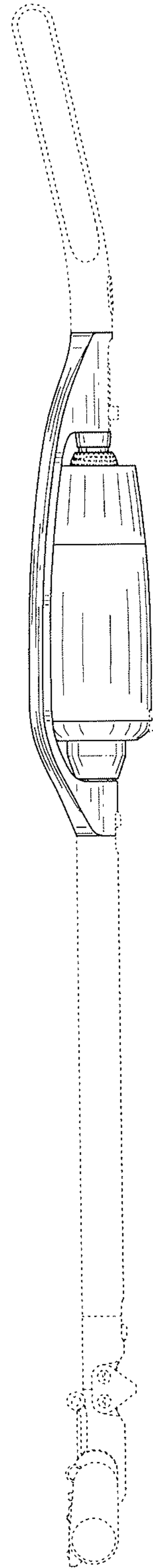


FIG. 5

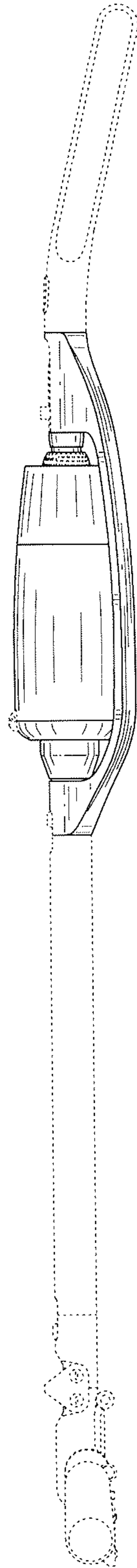


FIG. 6

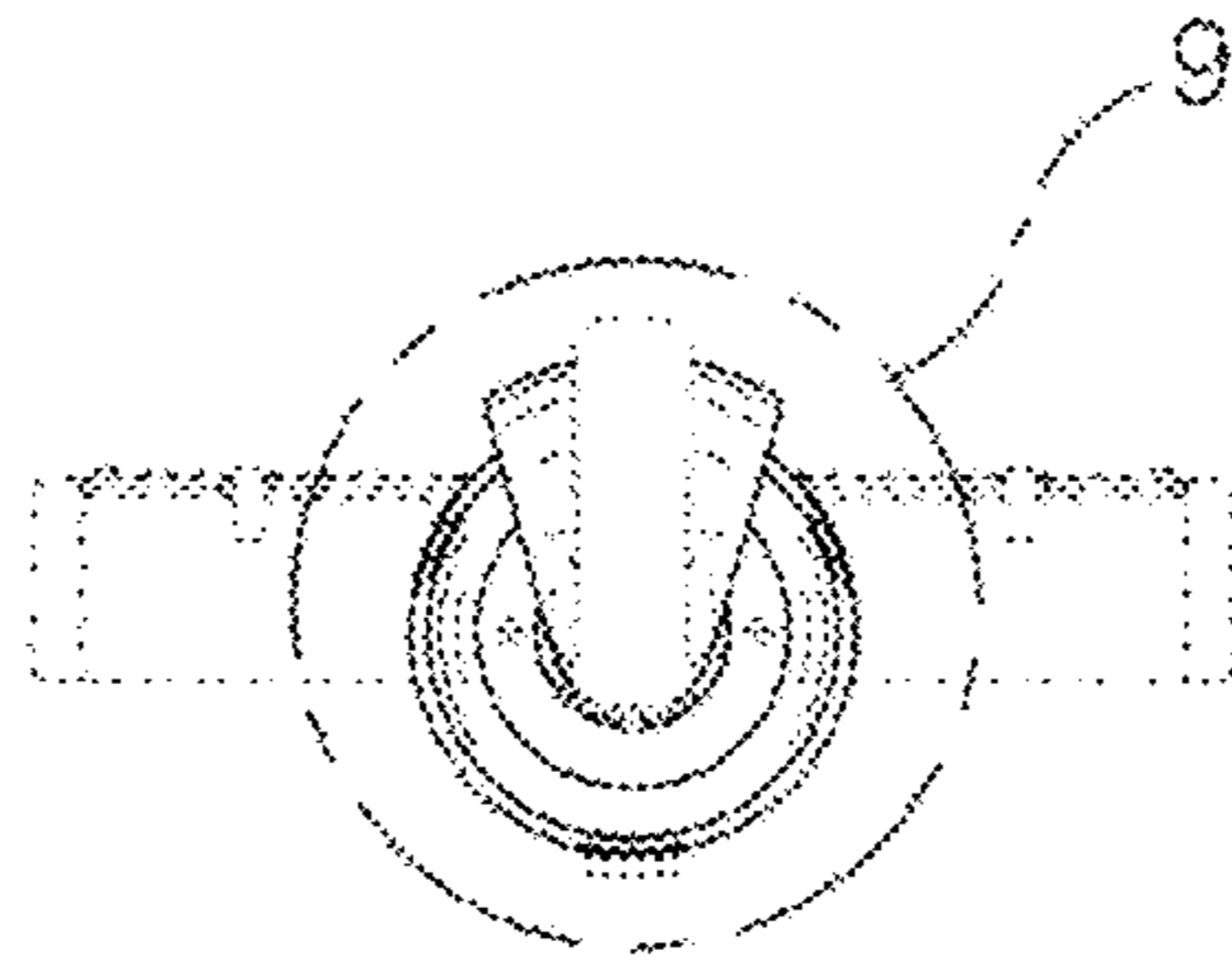


FIG. 7

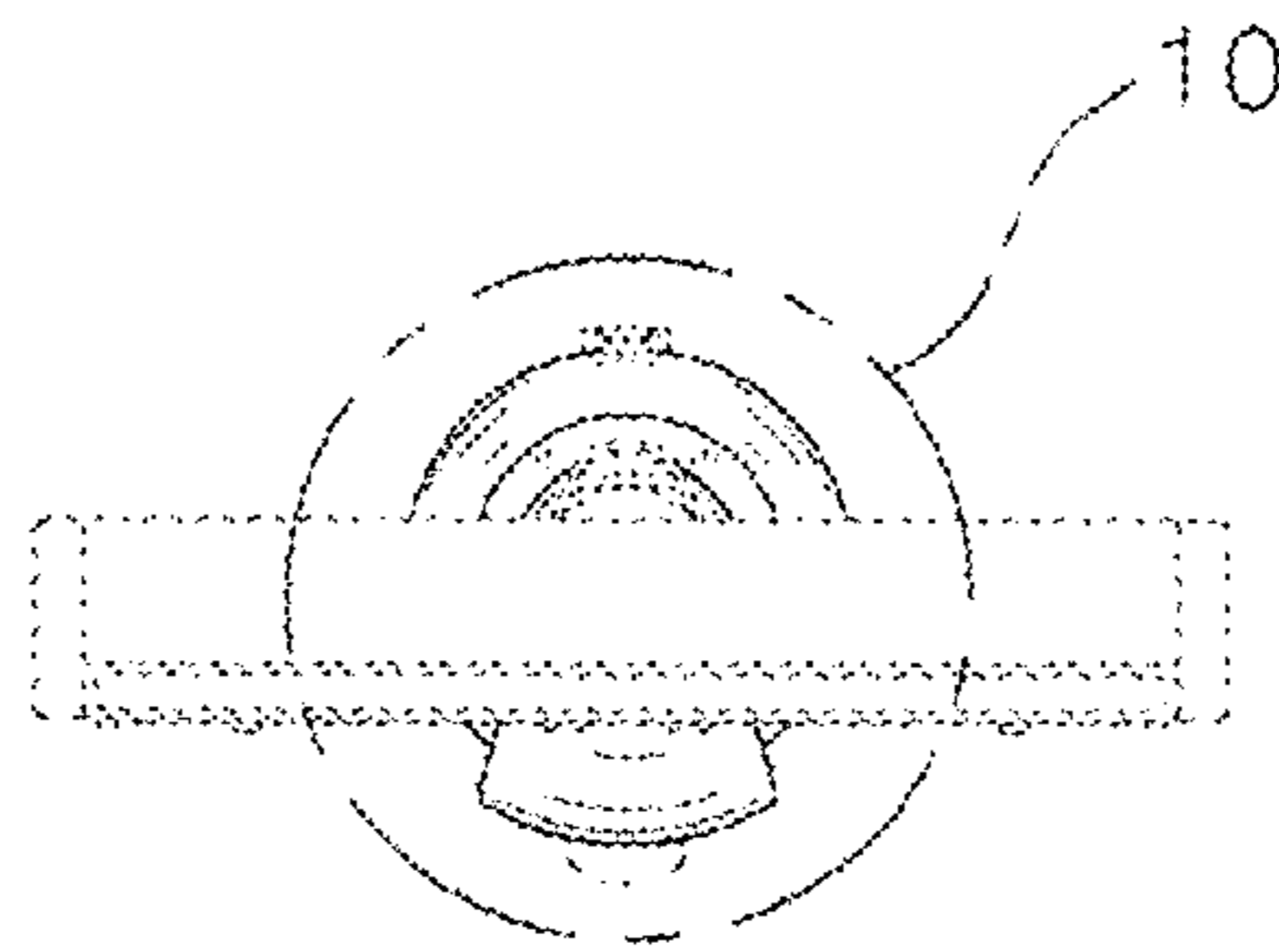


FIG. 8

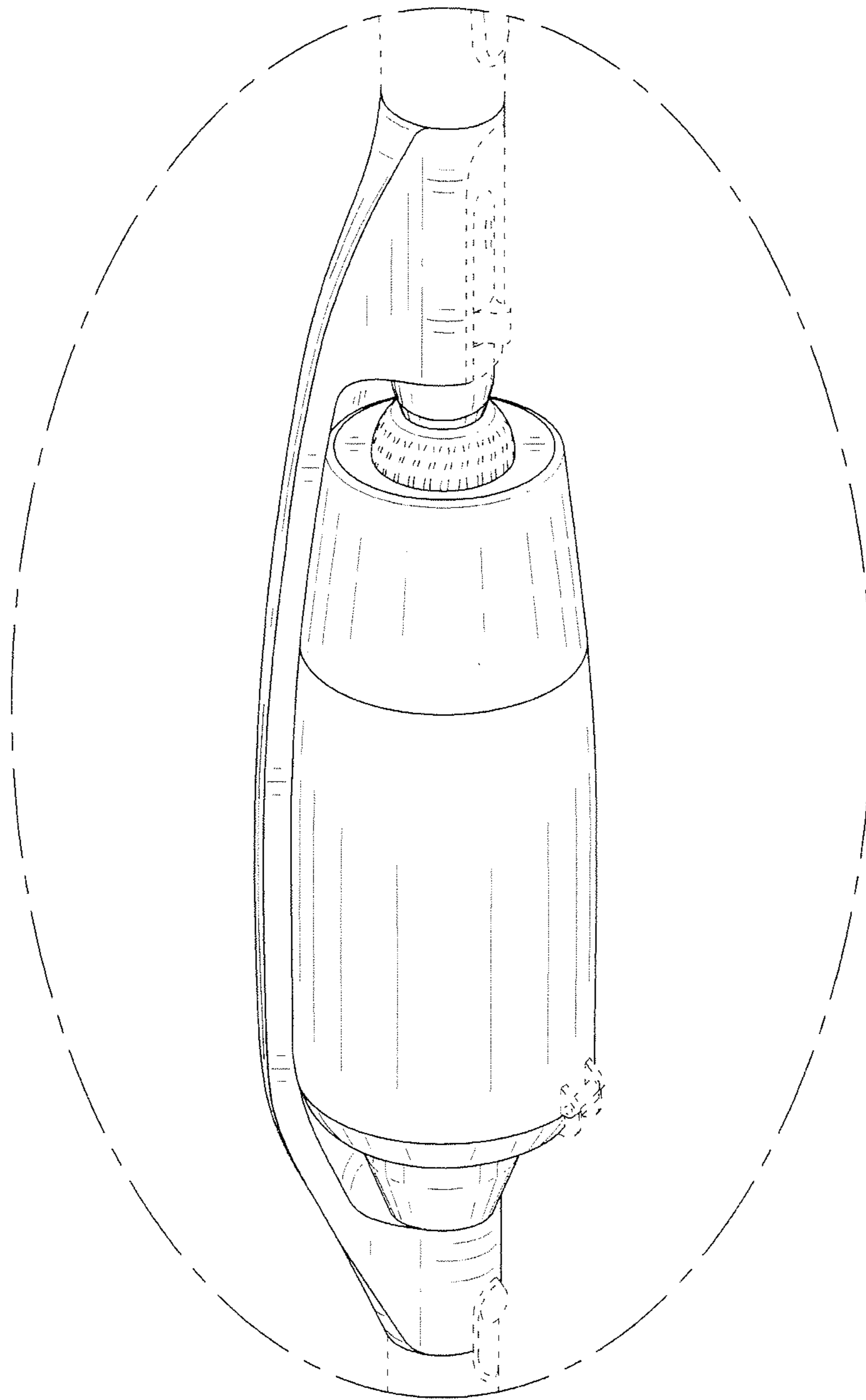


FIG. 9

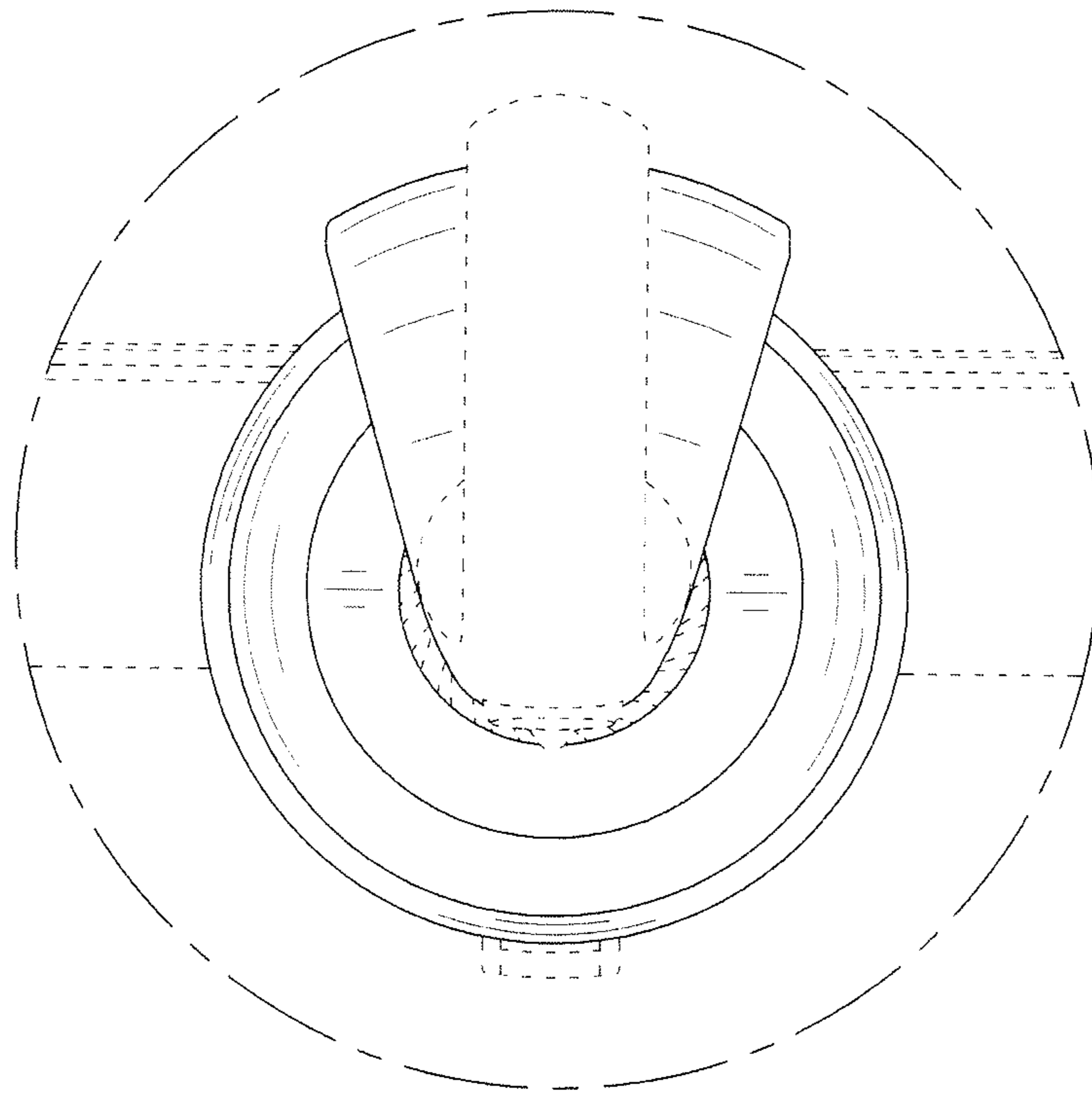


FIG. 10

