



US00D806970S

(12) **United States Design Patent**
Chen

(10) **Patent No.:** **US D806,970 S**
(45) **Date of Patent:** **** Jan. 2, 2018**

(54) **GUN CLEANING BRUSH**
(71) Applicant: **Ningbo Huntman Outdoor Products Co., Ltd., Ningbo, Zhejiang (CN)**
(72) Inventor: **Ping Chen, Zhejiang (CN)**
(73) Assignee: **Ningbo Huntman Outdoor Products Co., Ltd., Ningbo (CN)**
(**) Term: **15 Years**

(21) Appl. No.: **29/565,683**
(22) Filed: **May 24, 2016**

(30) **Foreign Application Priority Data**

Mar. 31, 2016 (CN) 2016 3 0101478

(51) **LOC (11) Cl.** **07-05**
(52) **U.S. Cl.**
USPC **D32/35**

(58) **Field of Classification Search**
USPC D32/35, 37, 53; D3/201, 304–309, 312, D3/314; D9/420, 423, 501, 721, 742; D34/5, 6, 11; D22/108, 199
CPC . B08B 1/00; B08B 9/021; F41A 29/02; F41A 29/00; A46B 3/18
See application file for complete search history.

(56) **References Cited**

U.S. PATENT DOCUMENTS

D268,697 S * 4/1983 Bukowski D24/152
4,512,810 A * 4/1985 Gahlinger B08B 1/00
134/42

4,949,496 A * 8/1990 Stephan F41A 29/02
15/104.16
5,038,509 A * 8/1991 Stephan A46B 3/18
15/104.16
5,095,644 A * 3/1992 McCoy F41A 29/00
42/95
D542,542 S * 5/2007 Williams D4/104
D671,828 S * 12/2012 Williams D9/414
D739,623 S * 9/2015 Reggio D32/35
D772,373 S * 11/2016 Calbi D22/108

* cited by examiner

Primary Examiner — Michael A. Pratt
Assistant Examiner — Michelle E Wilson

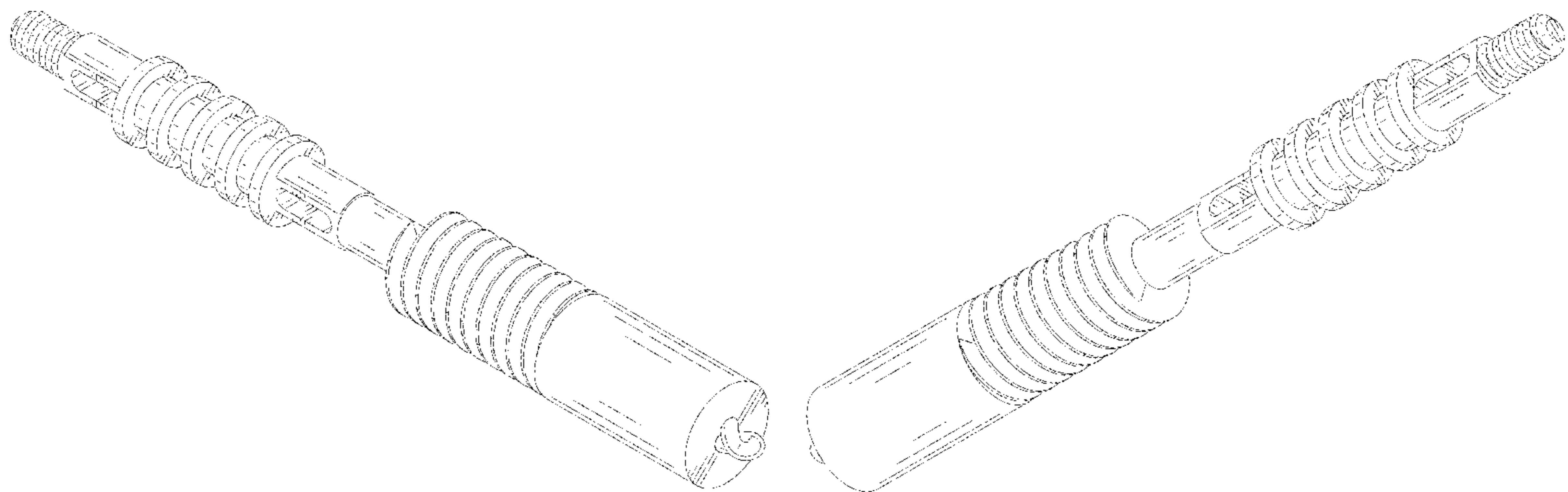
(57) **CLAIM**

The ornamental design for a gun cleaning brush, as shown and described.

DESCRIPTION

FIG. 1 is a front elevational view of a gun cleaning brush showing my new design;
FIG. 2 is a rear elevational view thereof;
FIG. 3 is a left side view thereof;
FIG. 4 is a right side view thereof;
FIG. 5 is a top plan view thereof;
FIG. 6 is a bottom plan view thereof;
FIG. 7 is a first perspective view thereof; and,
FIG. 8 is a second perspective view thereof.

1 Claim, 8 Drawing Sheets



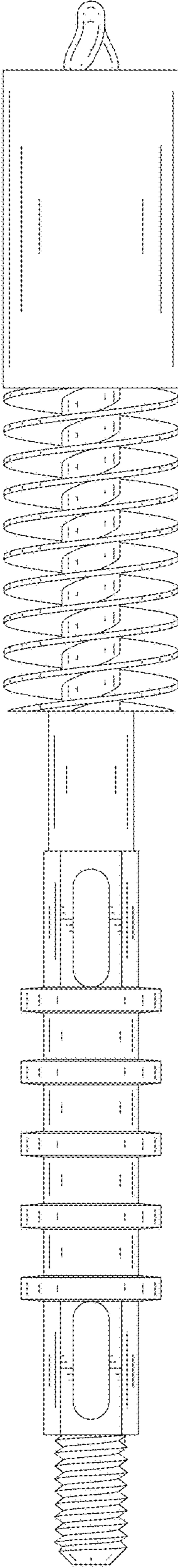


FIG.1

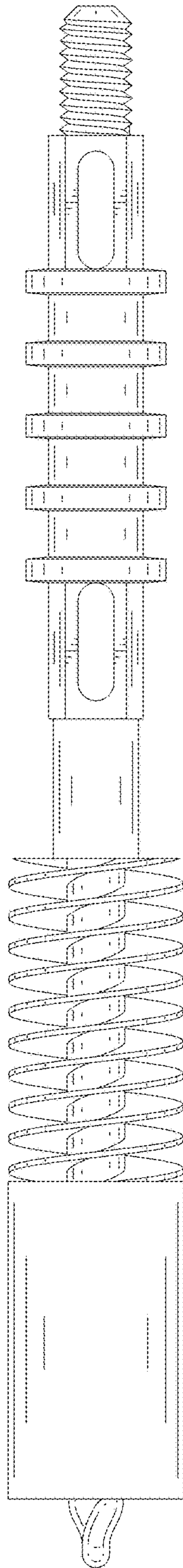


FIG.2

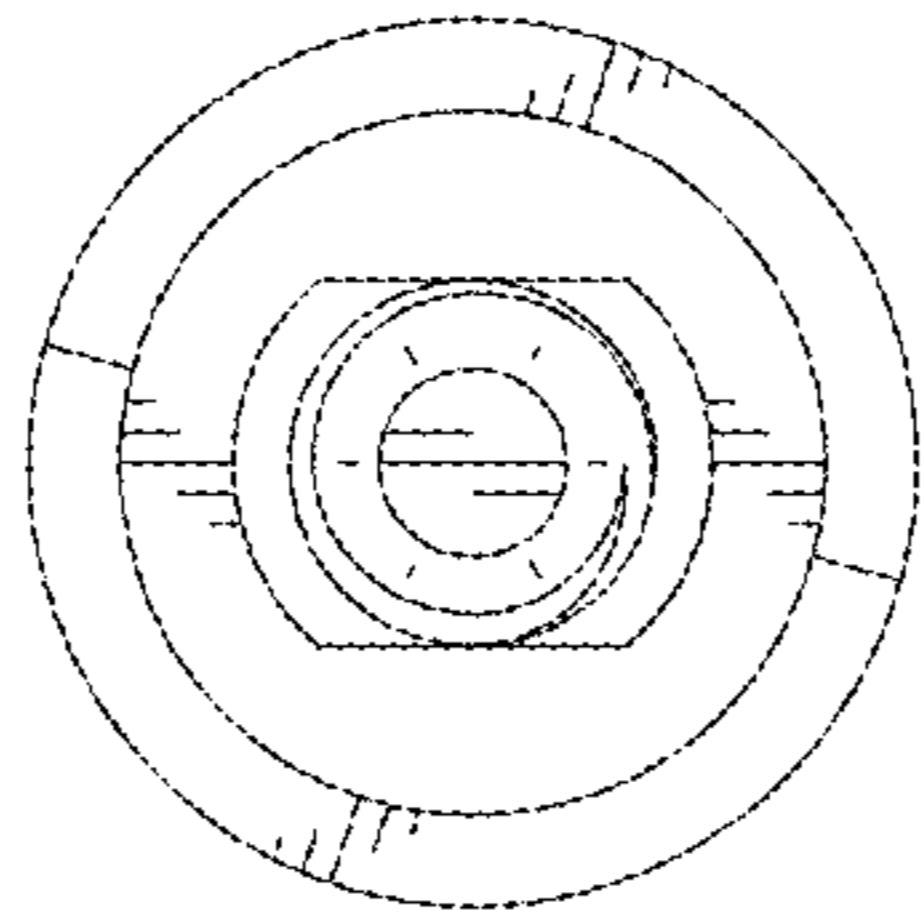


FIG.3

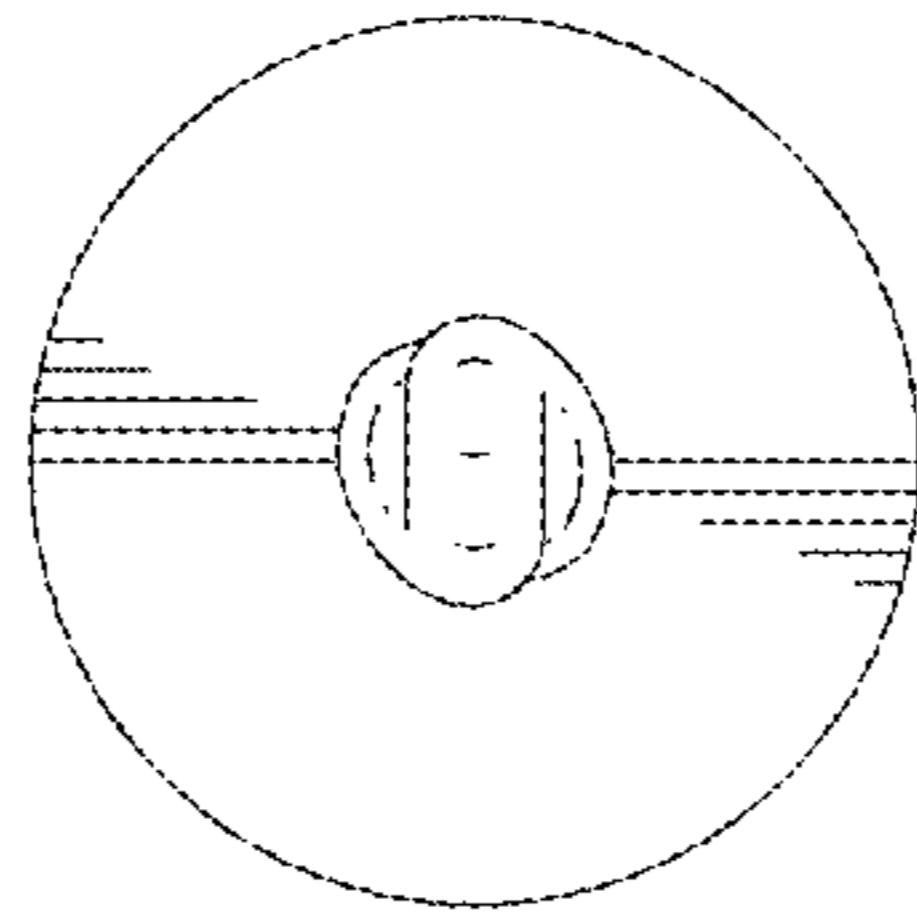


FIG.4

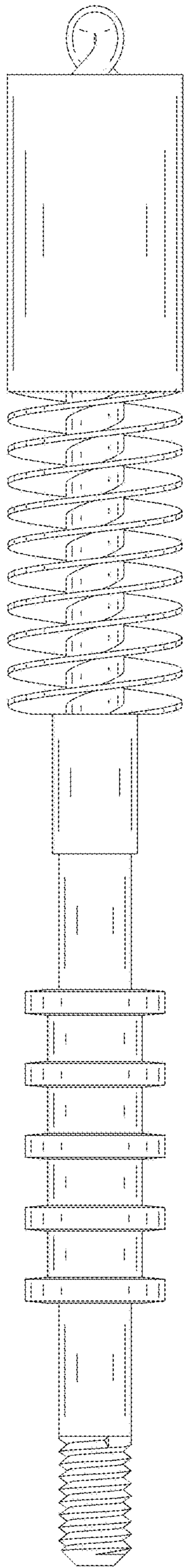


FIG. 5

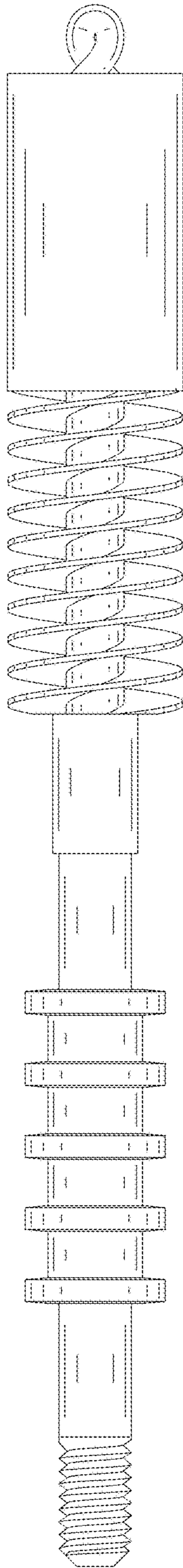


FIG.6

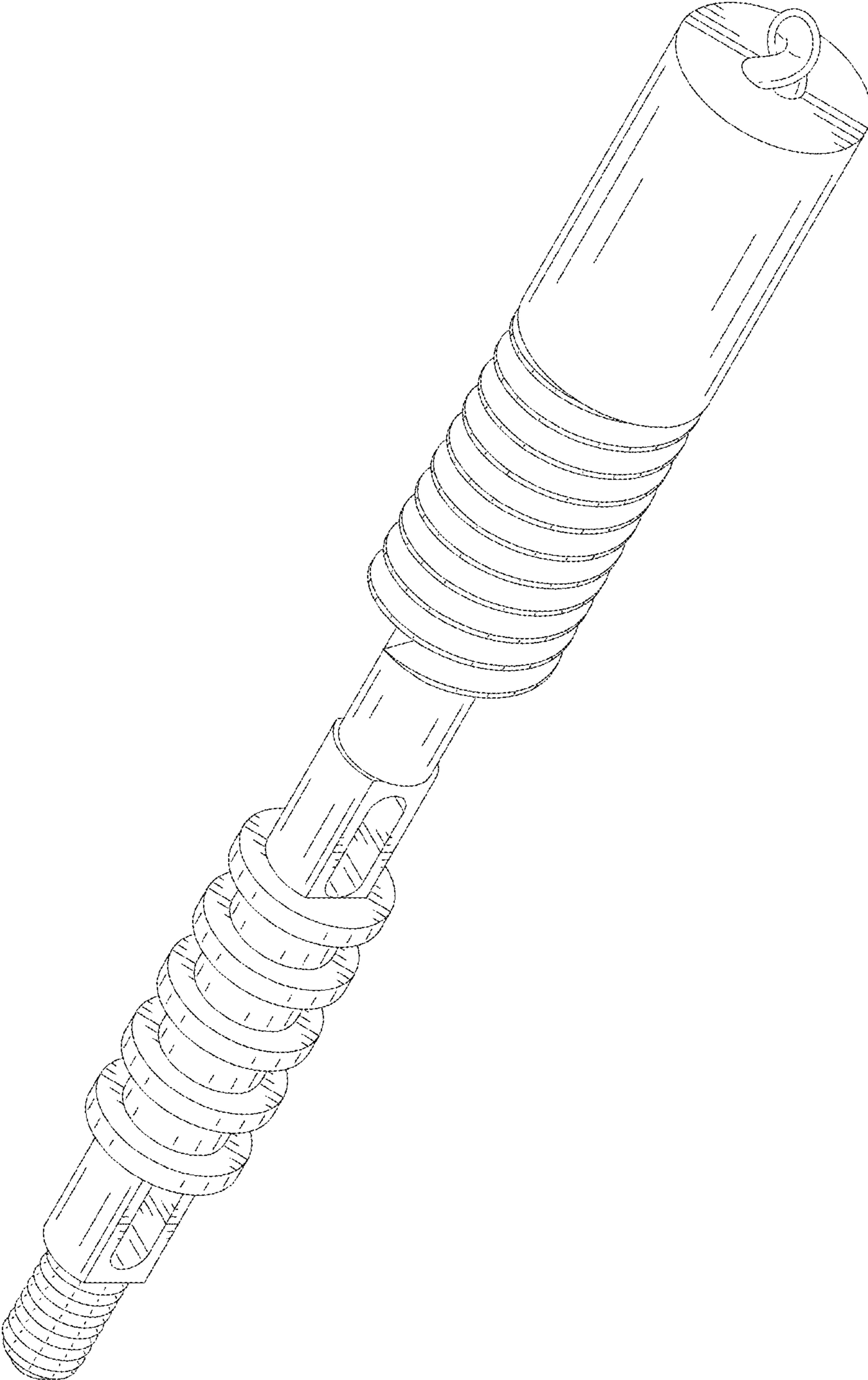


FIG.7

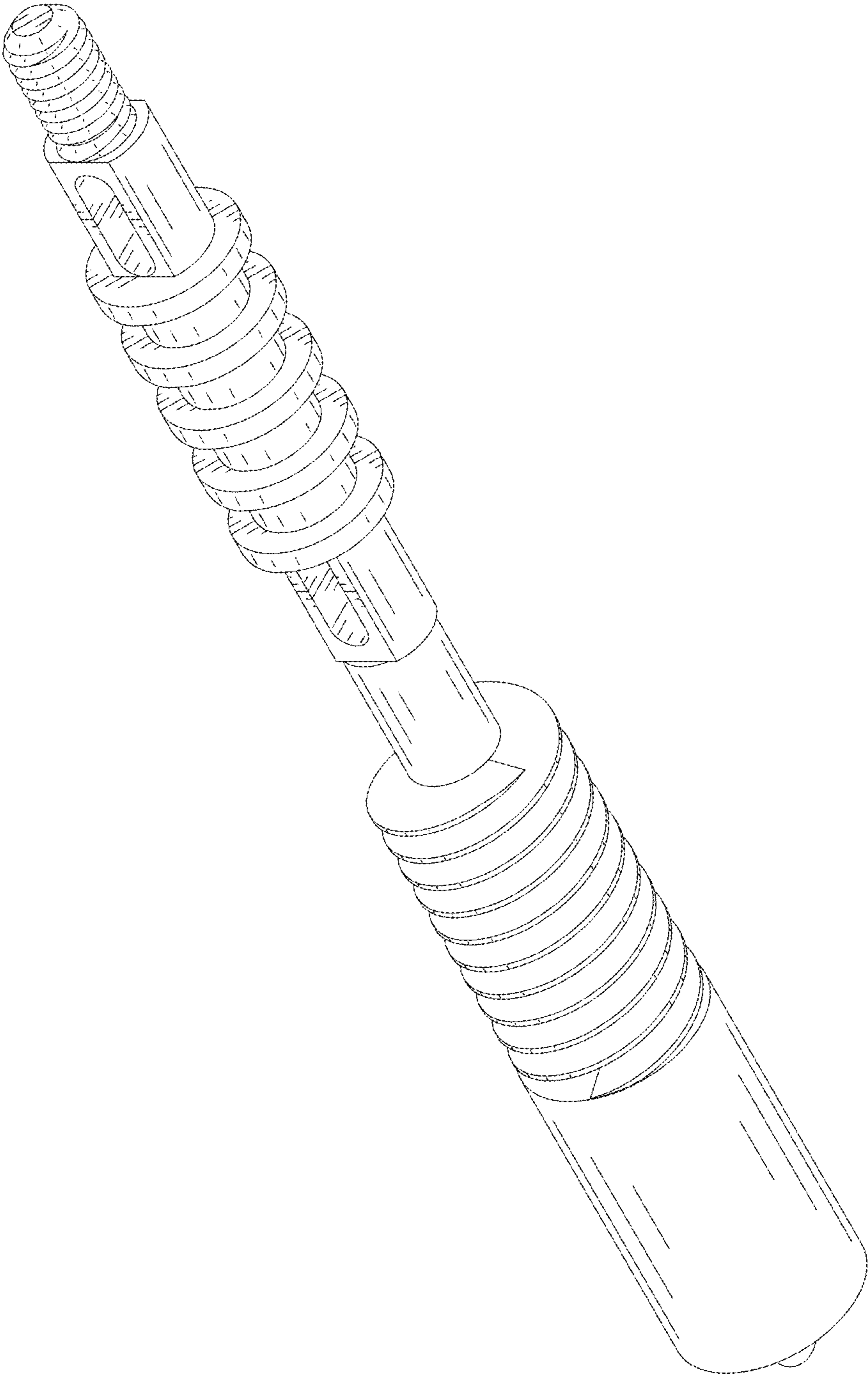


FIG.8