

US00D806969S

(12) **United States Design Patent**
Larouche

(10) **Patent No.:** **US D806,969 S**
(45) **Date of Patent:** **** Jan. 2, 2018**

- (54) **SWIMMING POOL VACUUM**
- (71) Applicant: **CPA POOL PRODUCTS, INC.**,
Blainville (CA)
- (72) Inventor: **Annie Larouche**, Mascouche (CA)
- (73) Assignee: **CPA POOL PRODUCTS, INC.**,
Blainville (CA)
- (**) Term: **15 Years**
- (21) Appl. No.: **29/610,918**
- (22) Filed: **Jul. 17, 2017**

7,409,740	B1 *	8/2008	Geigan	E04H 4/1609	15/1.7
D597,269	S *	7/2009	McNeil	D32/45	
D629,982	S *	12/2010	Rossano	D32/33	
D638,186	S *	5/2011	Yoon	D32/50	
D645,218	S *	9/2011	Rossano	D32/33	
D653,826	S *	2/2012	Lee	D32/50	
8,209,806	B2 *	7/2012	Lyons	A46B 5/00	15/1.7
8,375,497	B1 *	2/2013	Fitzen	E04H 4/1636	15/1.7
D681,899	S *	5/2013	Bilger	D32/32	
D694,484	S *	11/2013	Angel	D32/50	
D723,233	S *	2/2015	Gidwell	D32/50	
D759,329	S *	6/2016	Colangelo	D32/50	
D766,528	S *	9/2016	Choi	D32/50	

* cited by examiner

Related U.S. Application Data

- (62) Division of application No. 29/570,474, filed on Jul. 8, 2016, now Pat. No. Des. 796,761.
- (51) **LOC (11) Cl.** **15-05**
- (52) **U.S. Cl.**
USPC **D32/33**
- (58) **Field of Classification Search**
USPC D32/51, 17, 21-24, 31-33, 45, 50
CPC E04H 4/1609; E04H 4/1272; D06F 87/00;
D06F 75/06; D06F 73/00; F22B 1/284;
B44C 7/027; A47L 11/34; A47L 11/4044;
A47L 9/02; A47L 9/06; A47L 9/2842;
A04H 4/1636; A04H 4/1654; A04H
4/169; B01D 35/26
See application file for complete search history.

(56) **References Cited**

U.S. PATENT DOCUMENTS

- 3,626,535 A * 12/1971 Ostrowsky et al. .. E04H 4/1636
15/1.7
- D506,050 S * 6/2005 Lalanne D32/45

Primary Examiner — Ruth McInroy

(74) *Attorney, Agent, or Firm* — Hodgson Russ LLP

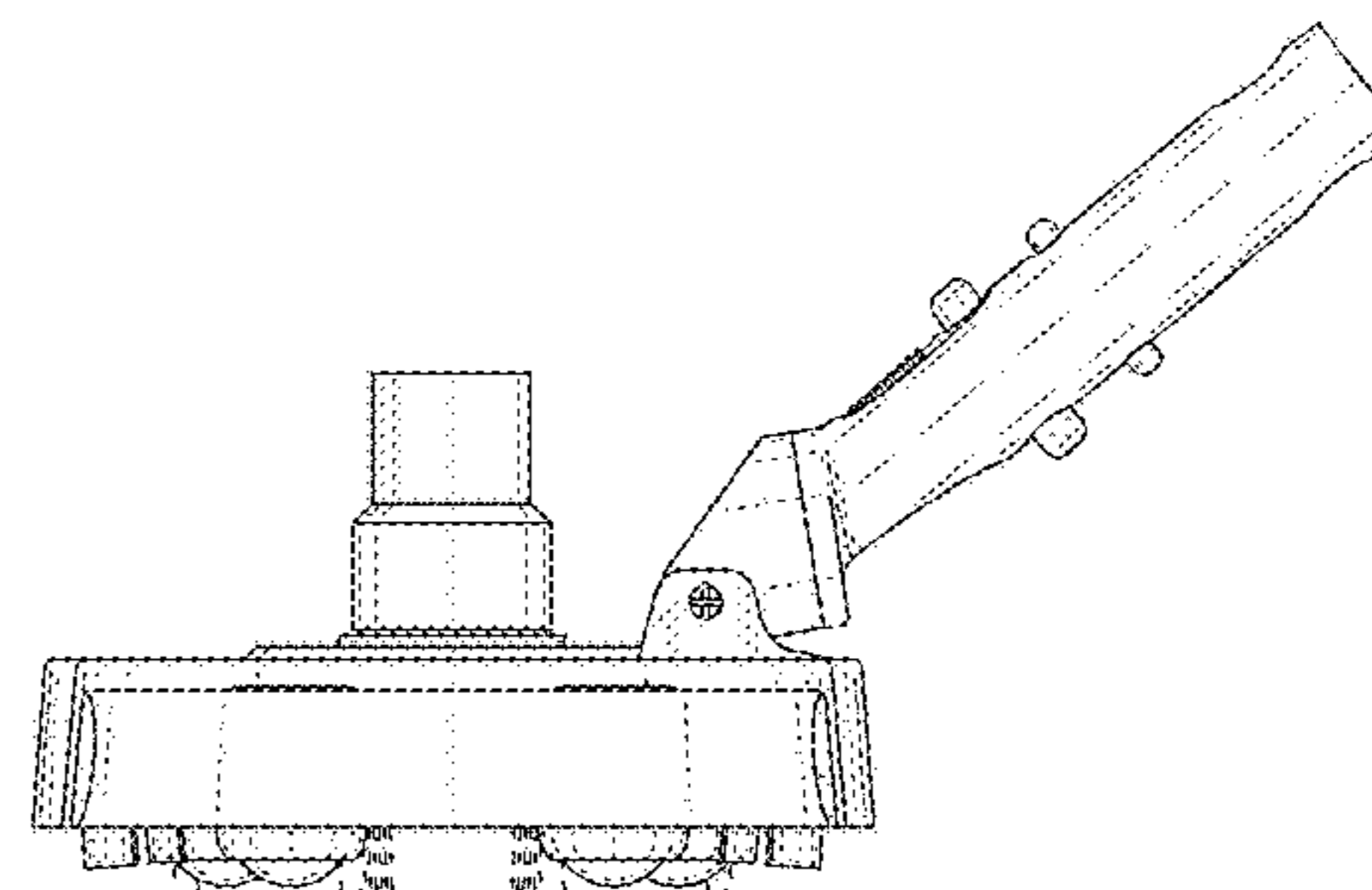
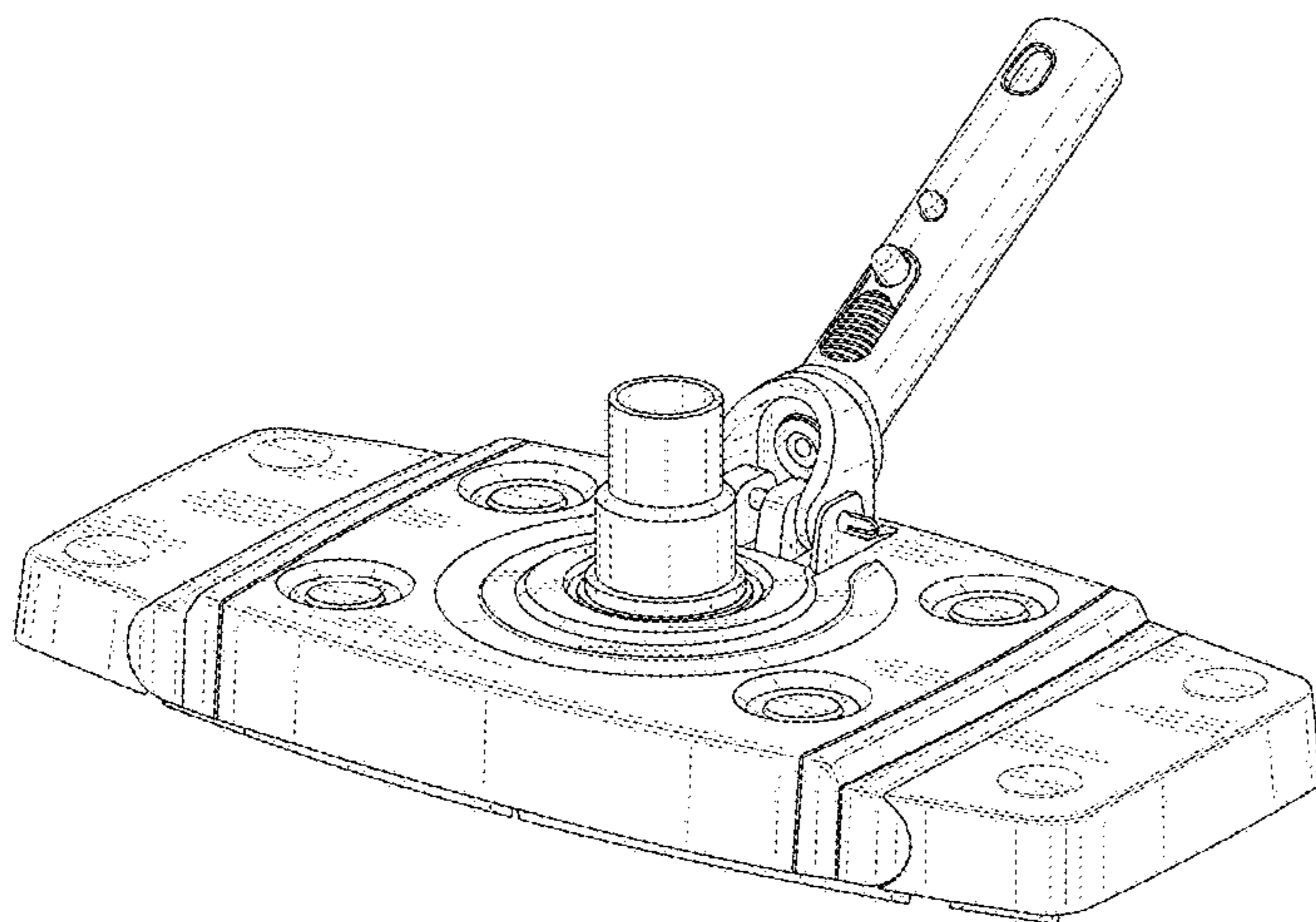
(57) **CLAIM**

The ornamental design for a swimming pool vacuum, as shown and described.

DESCRIPTION

FIG. 1 is a front-right-top perspective view of a swimming pool vacuum showing my new design;
 FIG. 2 is a rear-right-bottom perspective view thereof;
 FIG. 3 is a front elevational view thereof;
 FIG. 4 is a rear elevational view thereof;
 FIG. 5 is a left side elevational view thereof;
 FIG. 6 is a right side elevational view thereof;
 FIG. 7 is a top plan view thereof; and,
 FIG. 8 is a bottom plan view thereof.
 The broken lines illustrate unclaimed portions of the swimming pool vacuum that form no part of the claimed design.

1 Claim, 8 Drawing Sheets



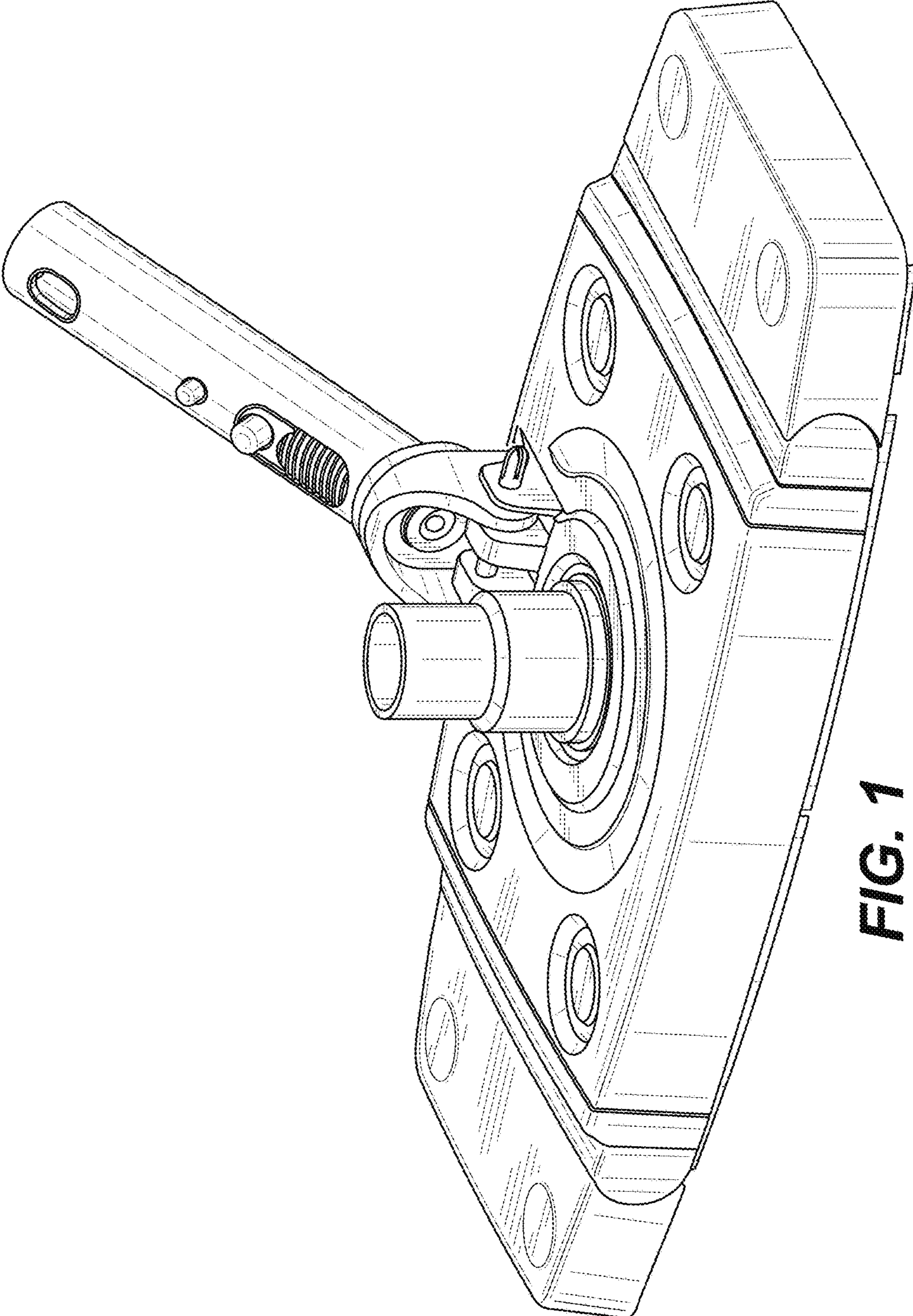


FIG. 1

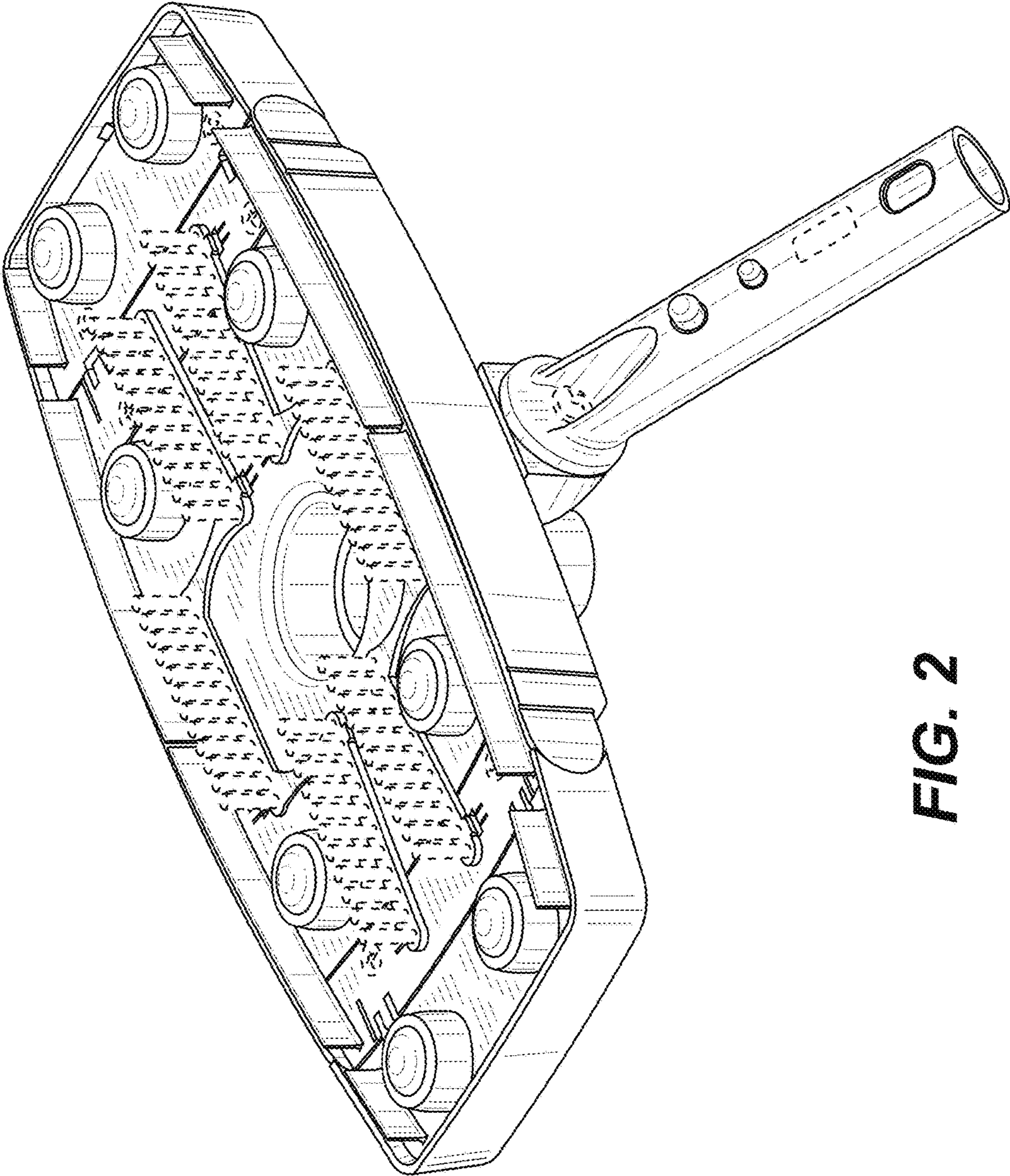


FIG. 2

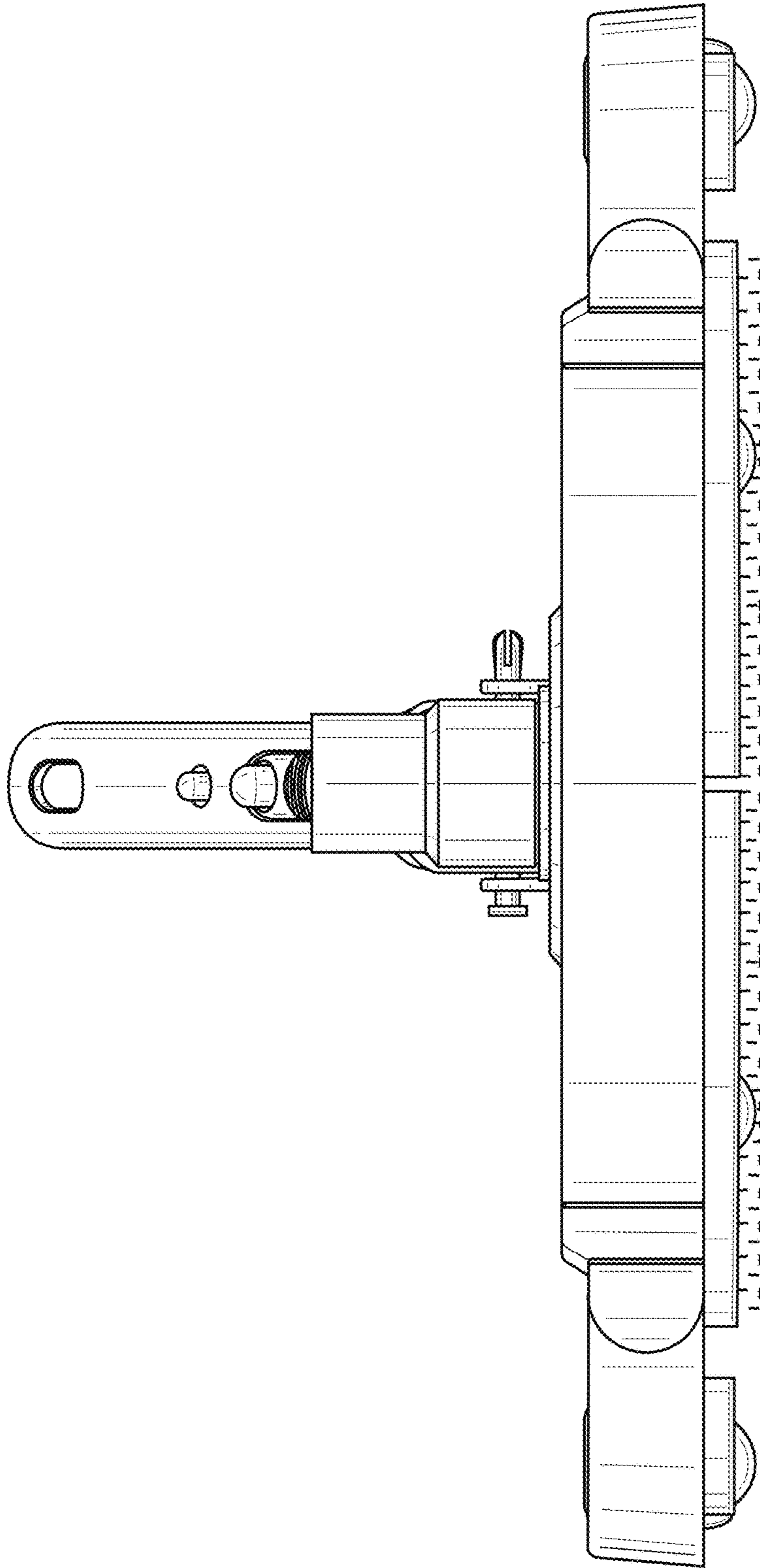


FIG. 3

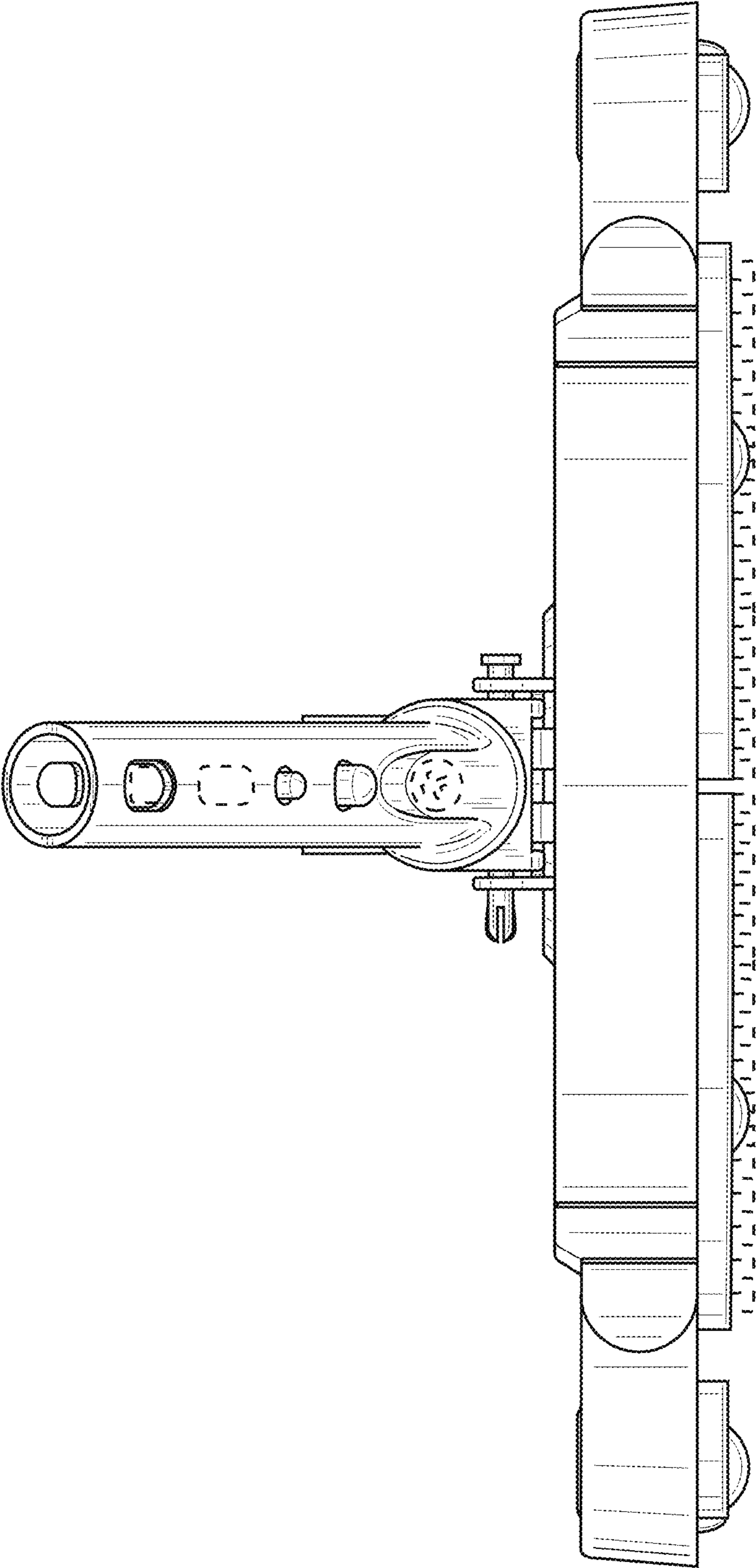


FIG. 4

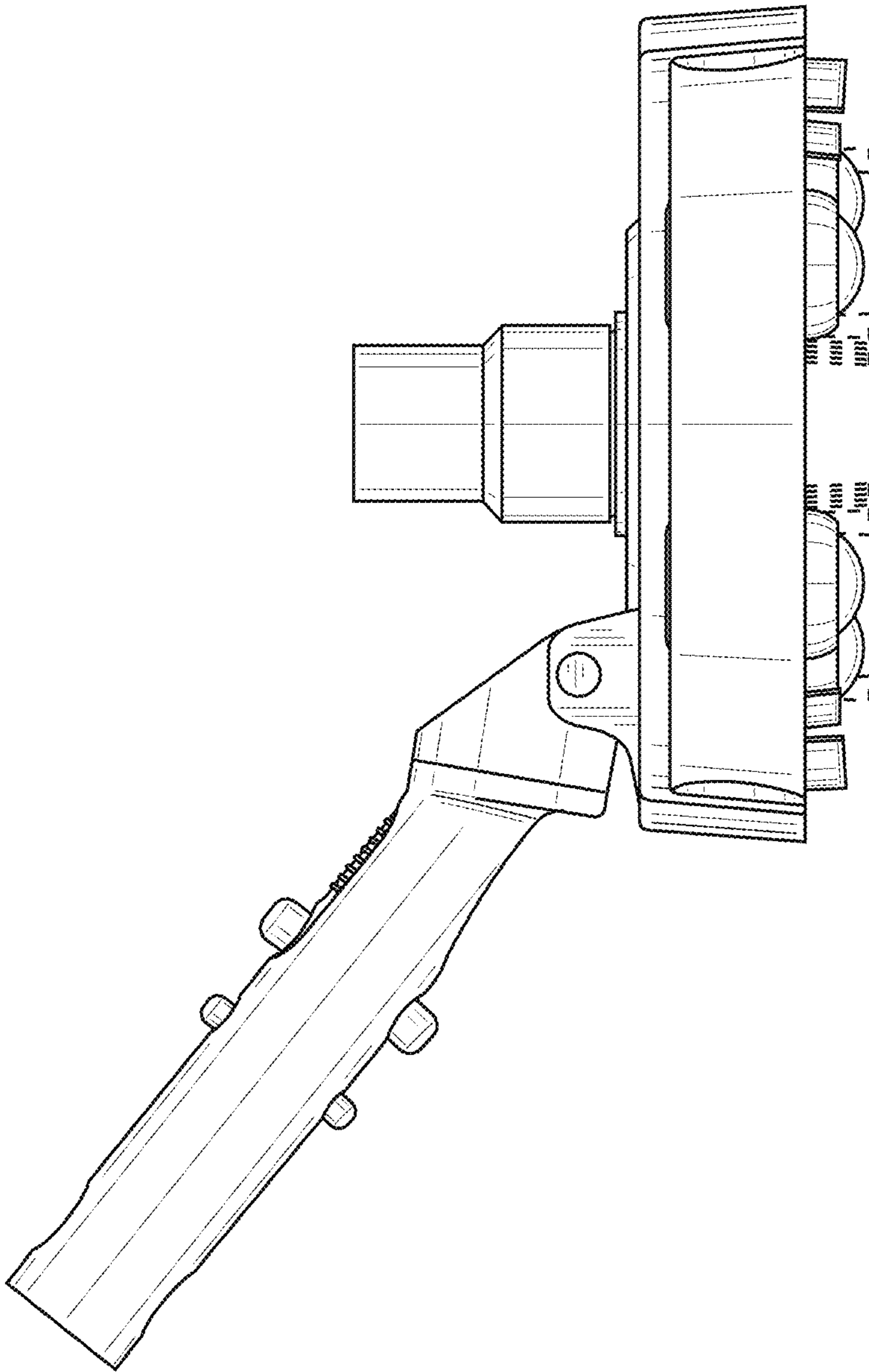


FIG. 5

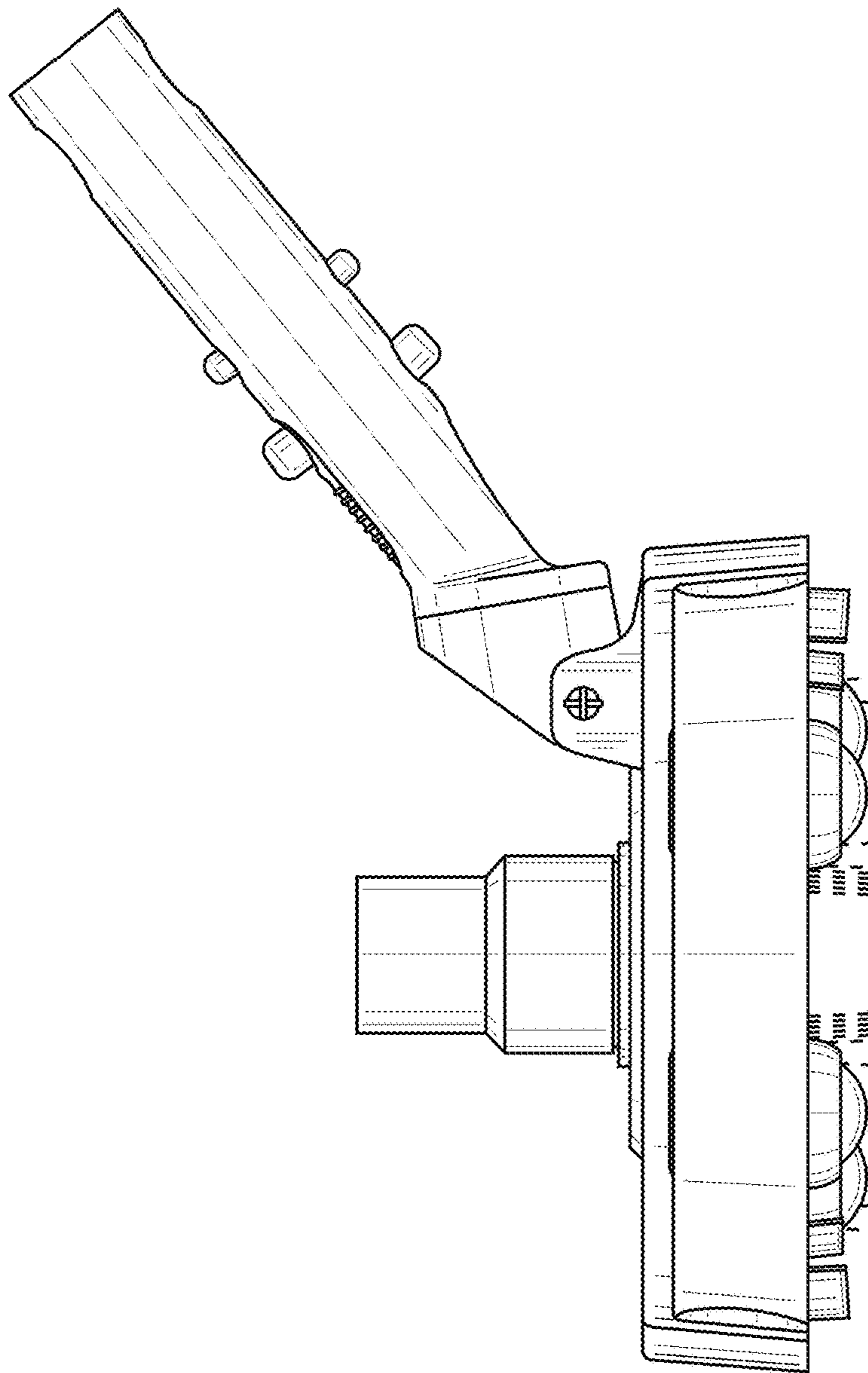


FIG. 6

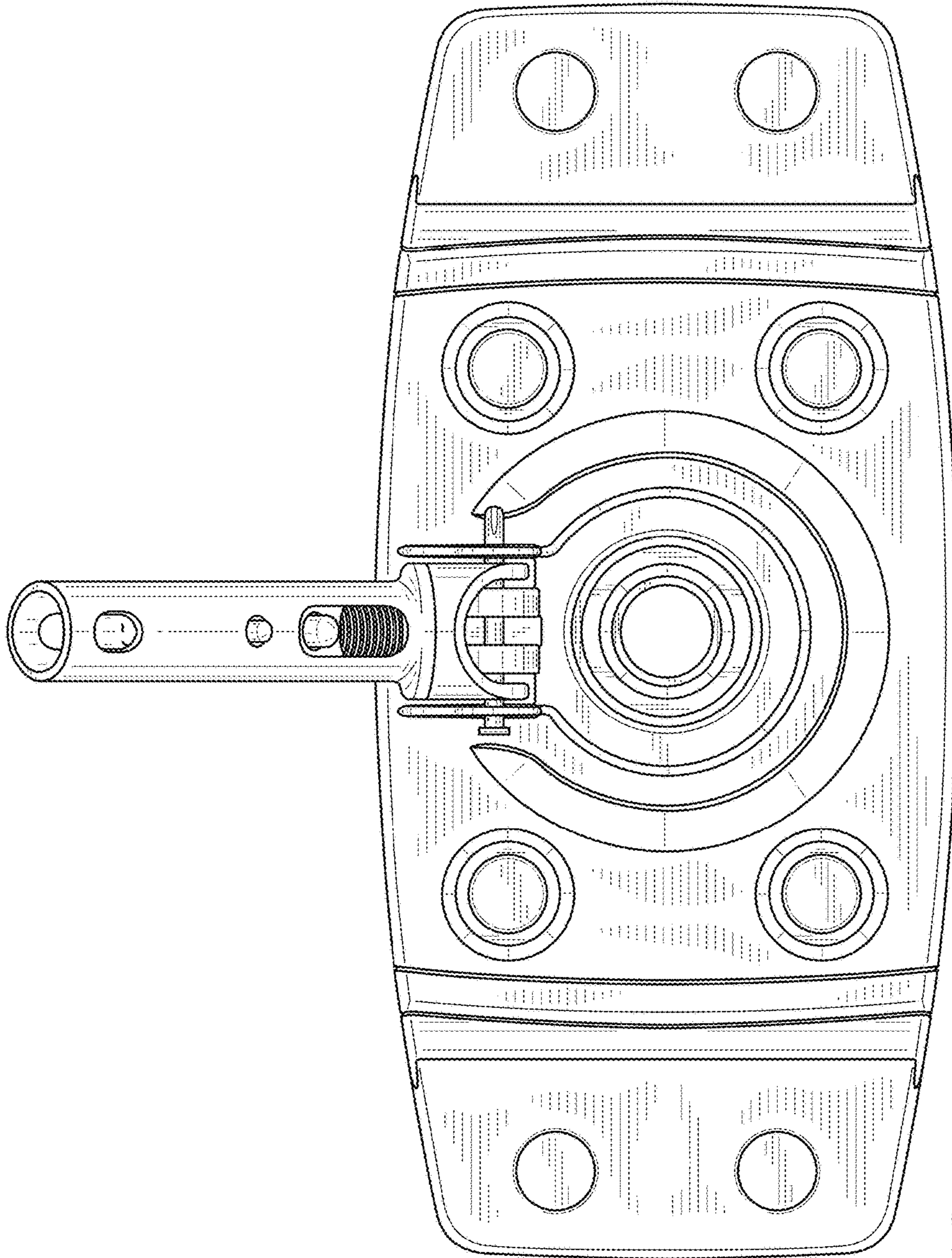


FIG. 7

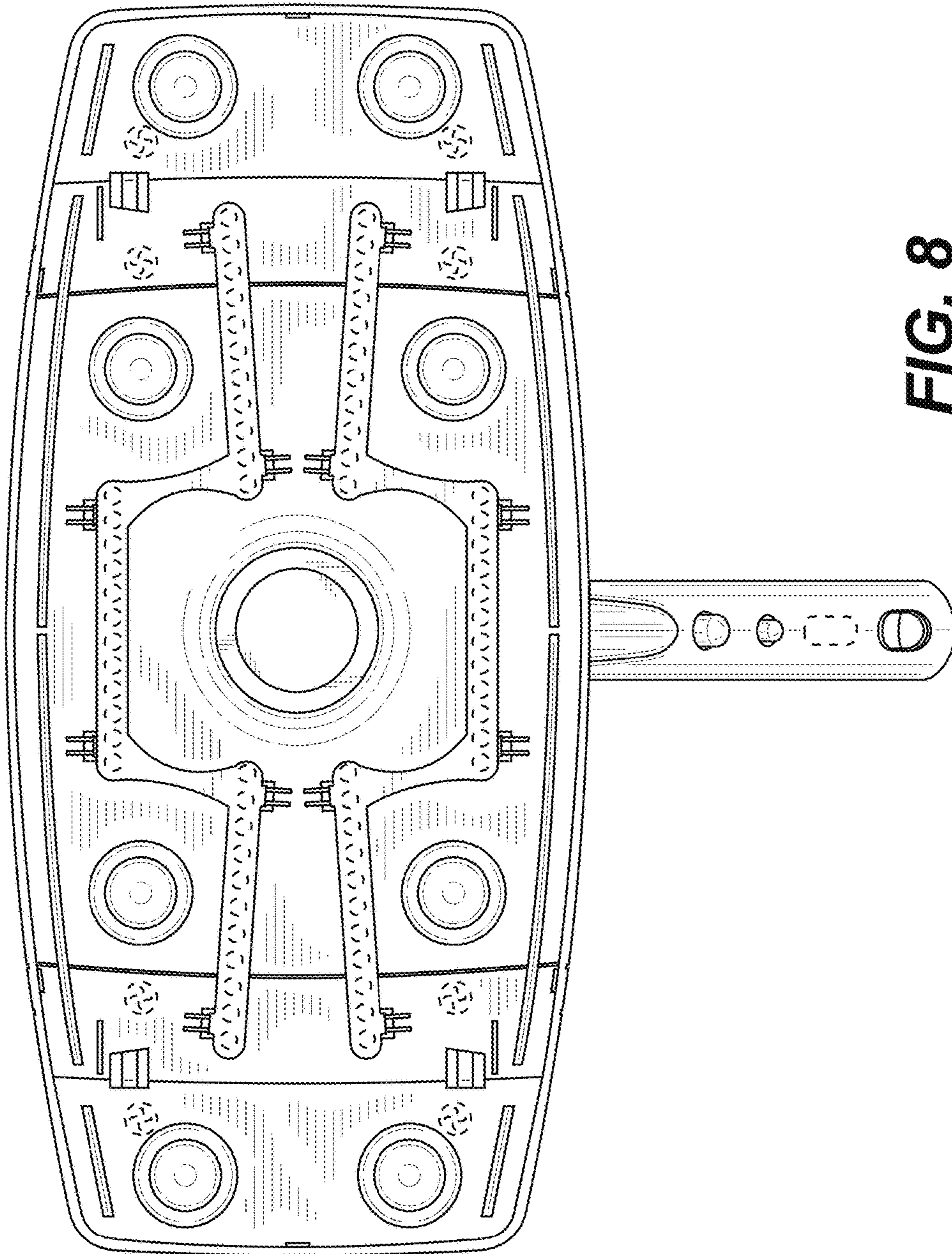


FIG. 8