



US00D806968S

(12) **United States Design Patent**  
**Lee et al.**

(10) **Patent No.:** **US D806,968 S**  
(45) **Date of Patent:** **\*\* Jan. 2, 2018**

(54) **KNOB FOR VACUUM CLEANER**  
(71) Applicant: **SAMSUNG ELECTRONICS CO., LTD.**, Suwon-si (KR)  
(72) Inventors: **Sangin Lee**, Seoul (KR); **Deoksang Yun**, Uiwang-si (KR); **Hyounsub Choi**, Goyang-si (KR)  
(73) Assignee: **SAMSUNG ELECTRONICS CO., LTD.**, Gyeonggi-Do (KR)

D469,411 S \* 1/2003 Decosse ..... D13/171  
D525,517 S \* 7/2006 Baldwin ..... D8/310  
D570,300 S \* 6/2008 Weinberg ..... D13/174  
D645,703 S \* 9/2011 Sadtler ..... D7/405  
D712,606 S \* 9/2014 Shin ..... D32/31  
D784,642 S \* 4/2017 Webster ..... D32/31  
D788,526 S \* 6/2017 Weaden ..... D7/378  
D793,808 S \* 8/2017 Weaden ..... D7/378

(\*\*) Term: **15 Years**  
(21) Appl. No.: **29/587,615**  
(22) Filed: **Dec. 14, 2016**

**FOREIGN PATENT DOCUMENTS**

EM 0022807010001 7/2013  
KR 300759125 9/2014

(30) **Foreign Application Priority Data**  
Jun. 15, 2016 (KR) ..... 30-2016-0029029  
(51) **LOC (11) Cl.** ..... **15-05**  
(52) **U.S. Cl.**  
USPC ..... **D32/31**  
(58) **Field of Classification Search**  
USPC ..... D32/17, 21, 22, 31, 34; D8/300, 307, D8/310, 312; D13/174  
CPC . A47L 9/32; A47L 9/325; A47L 9/327; A47L 9/20; A47L 5/28; A47L 5/30; A47L 5/34  
See application file for complete search history.

\* cited by examiner

*Primary Examiner* — Ruth McInroy  
(74) *Attorney, Agent, or Firm* — Cantor Colburn LLP

(56) **References Cited**  
U.S. PATENT DOCUMENTS

(57) **CLAIM**

The ornamental design for a knob for vacuum cleaner, as shown and described.

D202,590 S \* 10/1965 Schick et al. .... D8/312  
D402,269 S \* 12/1998 Waters ..... D13/171

**DESCRIPTION**

FIG. 1 is a perspective view of a knob for vacuum cleaner, showing our new design;  
FIG. 2 is a front view thereof;  
FIG. 3 is a rear view thereof;  
FIG. 4 is a left side view thereof;  
FIG. 5 is a right side view thereof;  
FIG. 6 is a top view thereof;  
FIG. 7 is a bottom view thereof; and,  
FIG. 8 is another perspective view thereof shown in an environment of use.  
The broken lines illustrating portions of the knob for vacuum cleaner form no part of the claimed design.

**1 Claim, 8 Drawing Sheets**

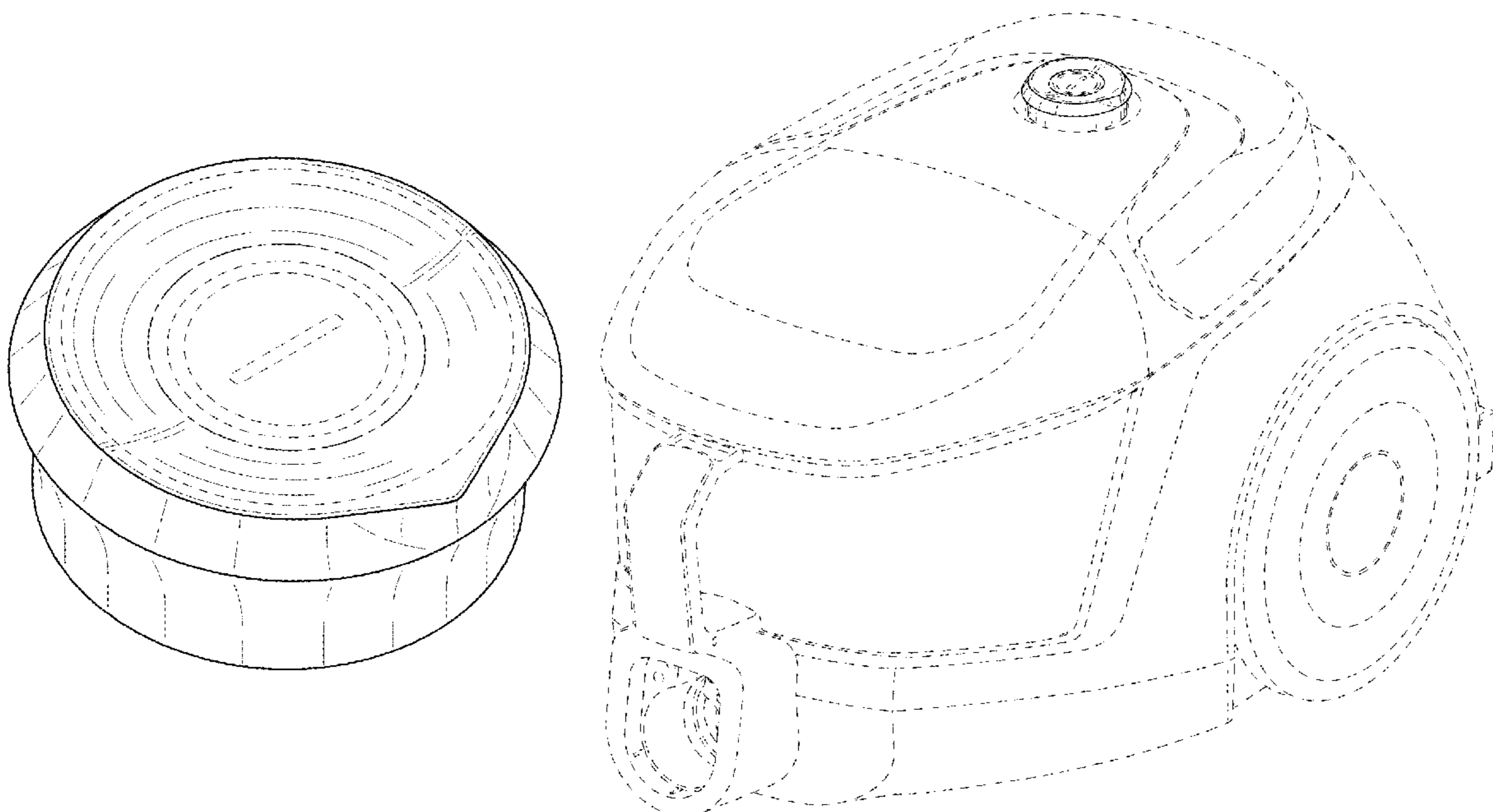


FIG. 1

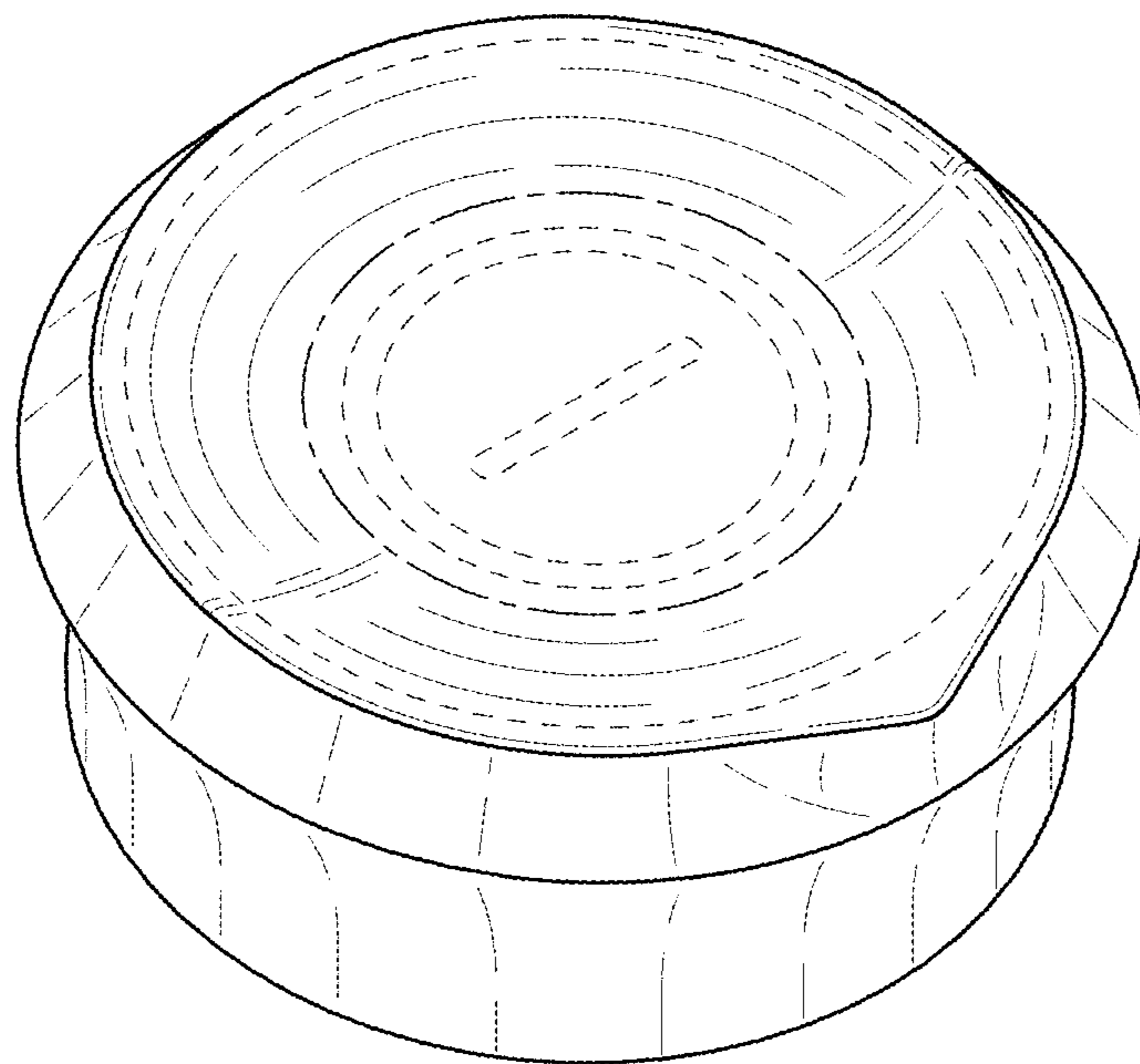


FIG. 2

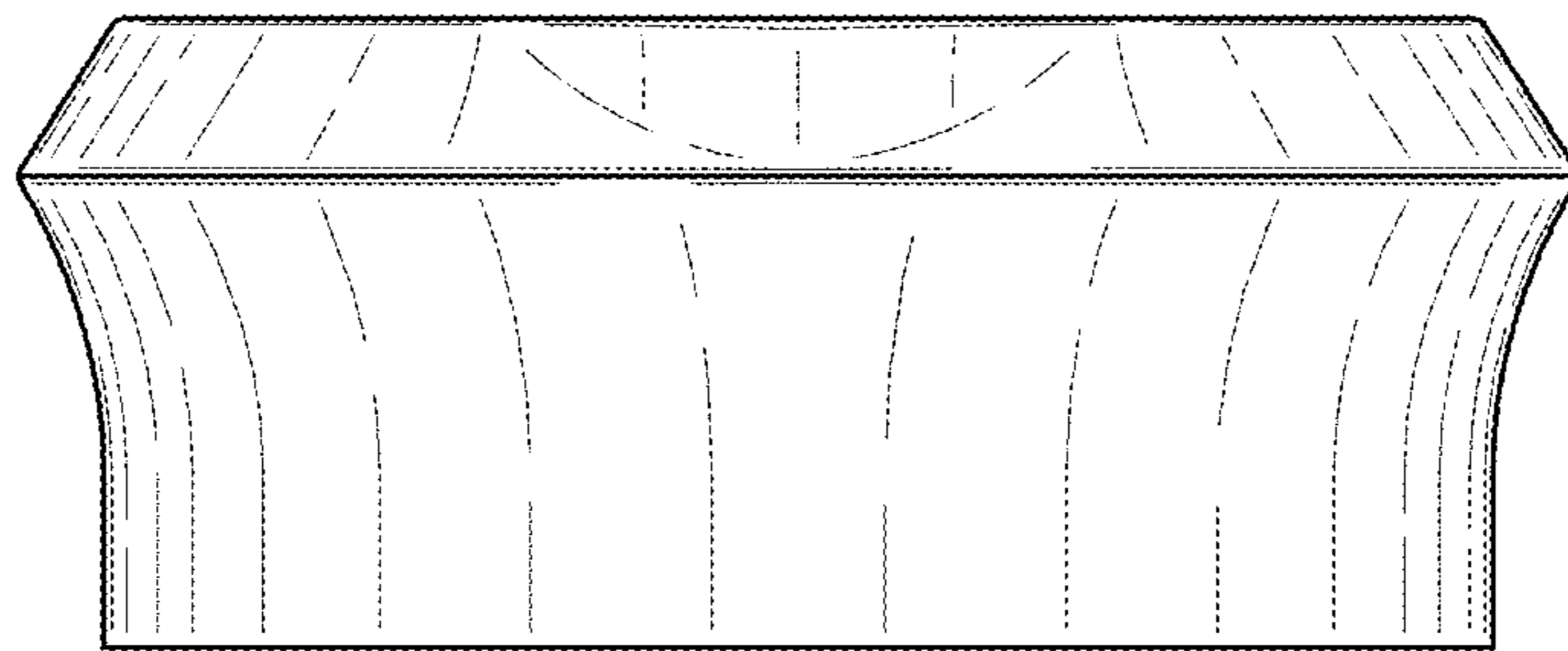


FIG. 3

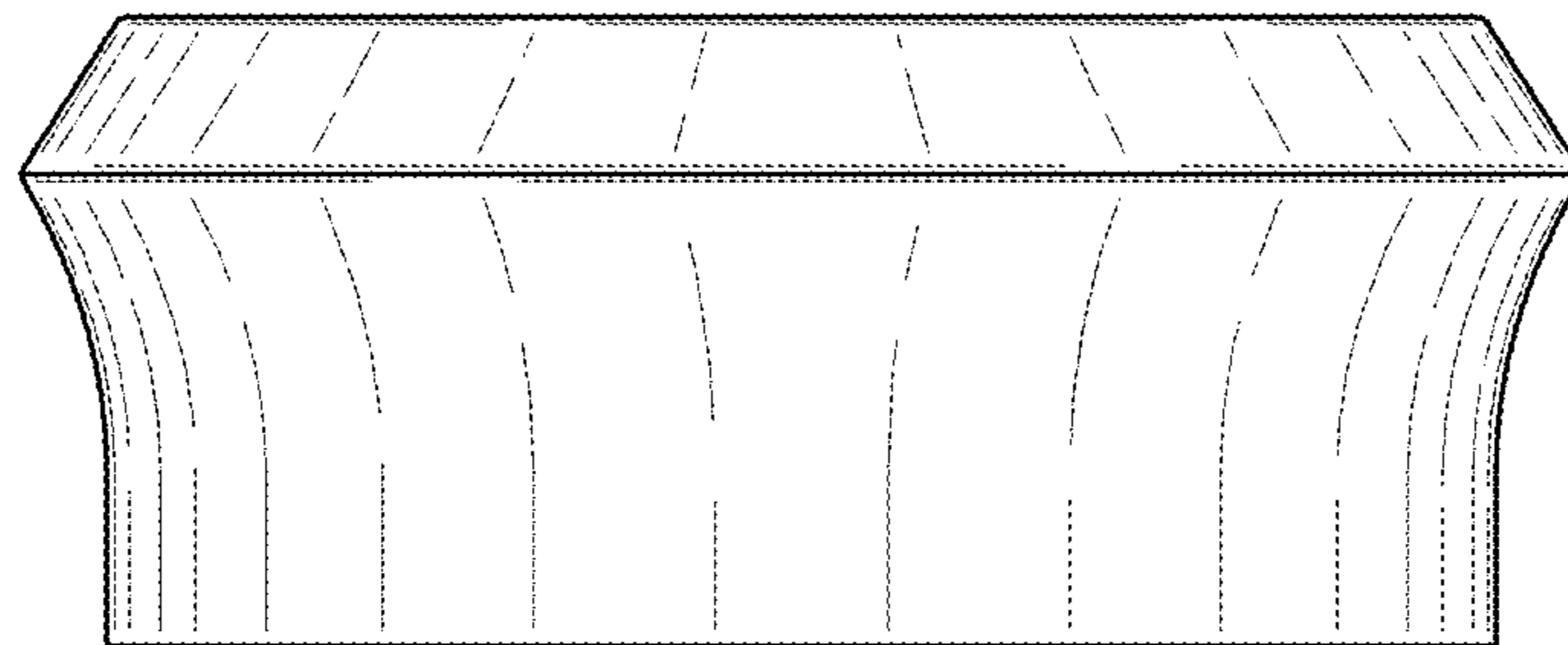


FIG. 4

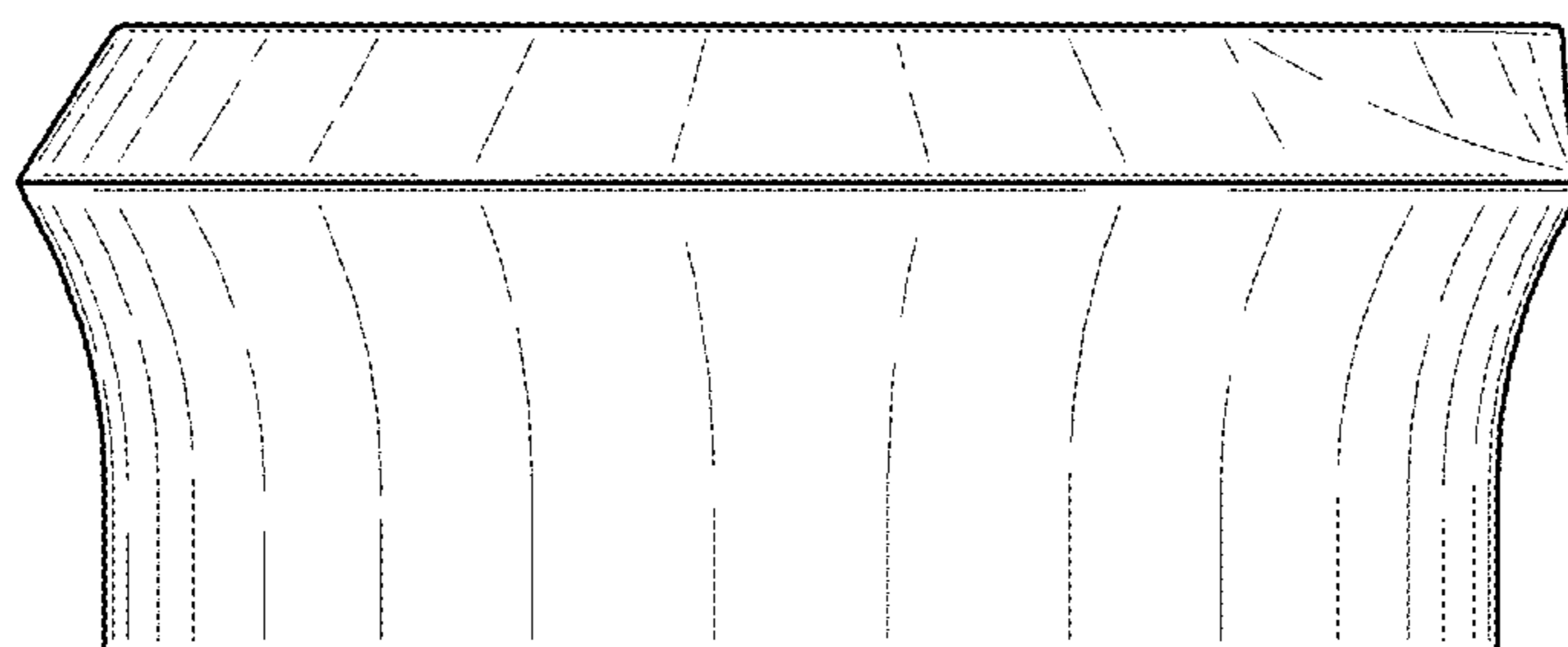


FIG. 5

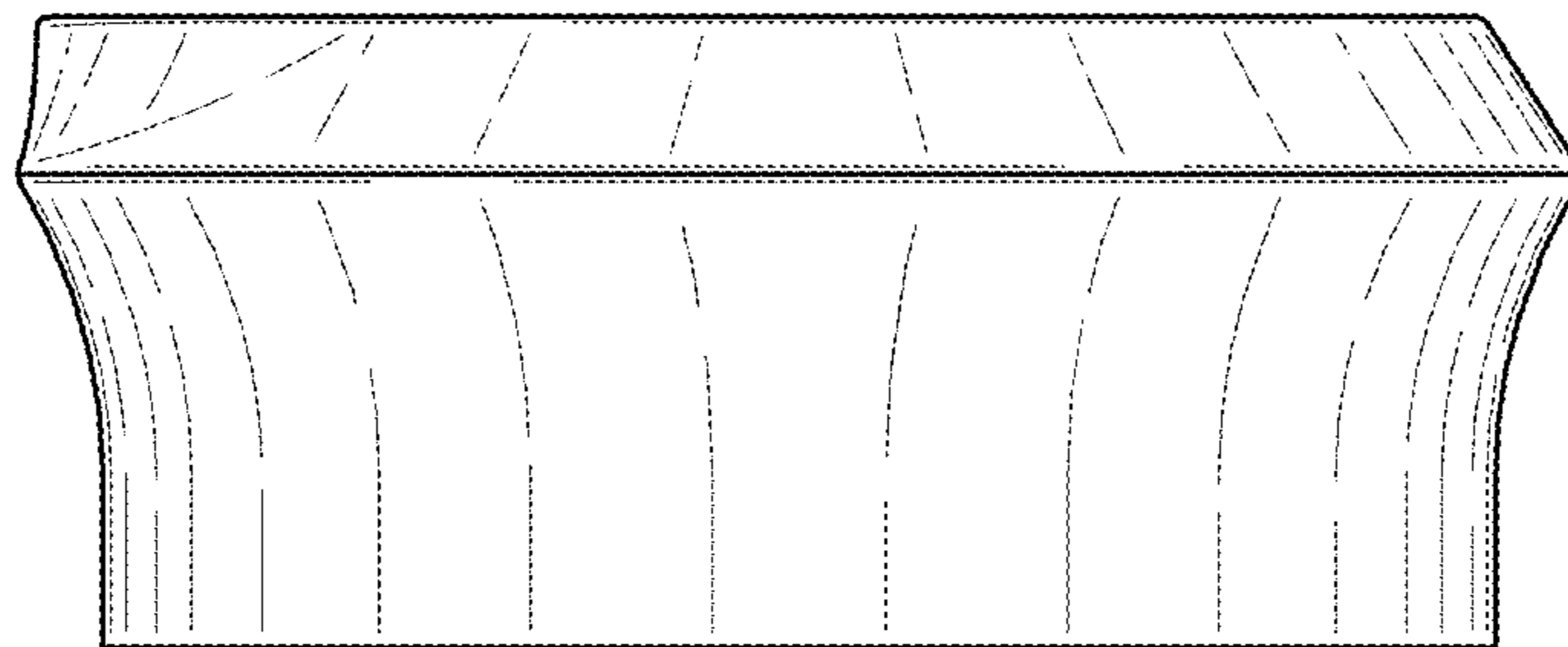


FIG. 6

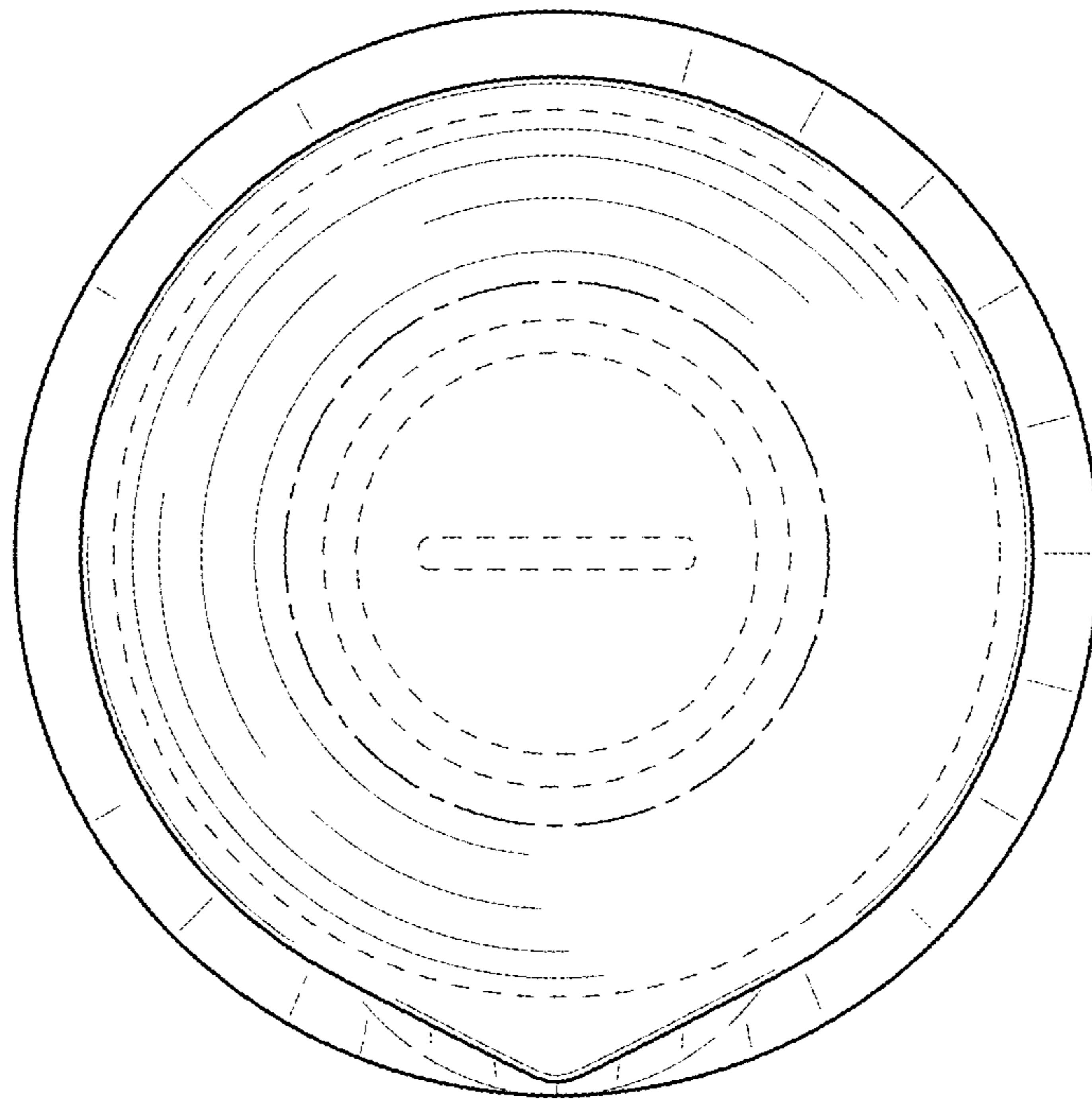


FIG. 7

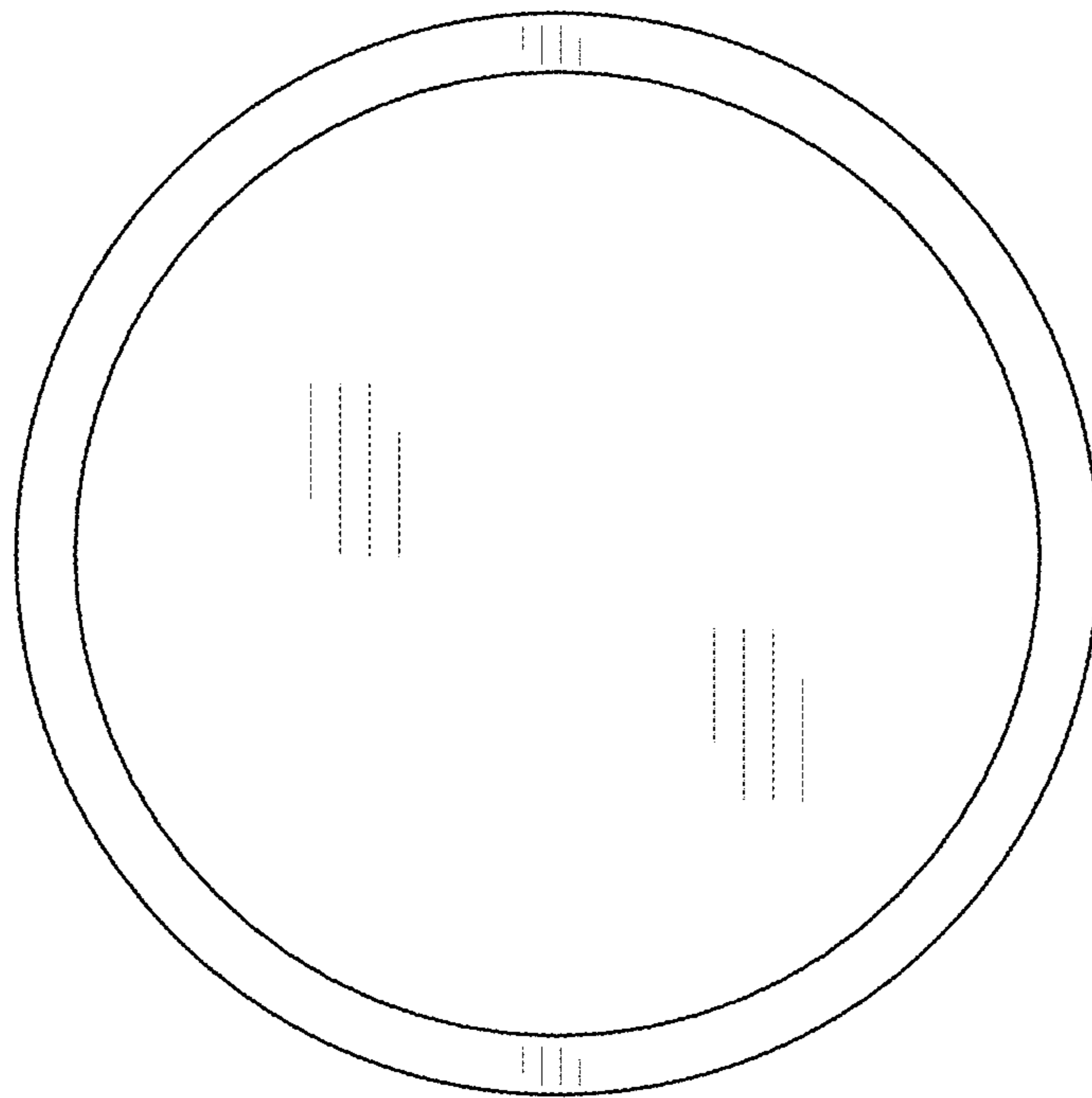




FIG. 8

