



US00D806966S

(12) **United States Design Patent**
Nam et al.

(10) **Patent No.:** **US D806,966 S**
(45) **Date of Patent:** **** Jan. 2, 2018**

(54) **VACUUM CLEANER HEAD FOR WET FLOORCLOTH**

(71) Applicant: **LG ELECTRONICS INC.**, Seoul (KR)
(72) Inventors: **Bohyun Nam**, Seoul (KR); **Sehwan Bae**, Seoul (KR); **Seunghyun Song**, Seoul (KR)
(73) Assignee: **LG ELECTRONICS INC.**, Seoul (KR)

(**) Term: **15 Years**

(21) Appl. No.: **35/501,288**

(22) Filed: **Jan. 25, 2016**

(80) **Hague Agreement Data**

Int. Filing Date: **Jan. 25, 2016**
Int. Reg. No.: **DM/089702**
Int. Reg. Date: **Jan. 25, 2016**
Int. Reg. Pub. Date: **Jul. 29, 2016**

(30) **Foreign Application Priority Data**

Sep. 7, 2015 (KR) 30-2015-0045262

(51) **LOC (11) Cl.** **15-05**

(52) **U.S. Cl.**
USPC **D32/23**

(58) **Field of Classification Search**
USPC D23/21, 22, 23, 25, 32, 33, 34; D32/21, D32/22, 23, 25, 32, 33, 34
CPC . A47L 9/16; A47L 9/20; A47L 9/1683; A47L 9/1666; A47L 9/1608; A47L 9/2857; A47L 9/2842; A47L 9/2836; A47L 9/2847; A47L 9/2852; A47L 5/28; A47L 7/0038; G06N 3/008; E04H 4/1654

See application file for complete search history.

(56) **References Cited**

U.S. PATENT DOCUMENTS

D586,053	S	*	2/2009	Lee	D32/32
D625,062	S	*	10/2010	Morenstein	D32/31
D688,431	S	*	8/2013	Luedke	D32/32
D691,340	S	*	10/2013	Bruneel	D32/32
D706,504	S	*	6/2014	Park	D32/33
D744,708	S	*	12/2015	Cheon	D32/31
D770,109	S	*	10/2016	Chu, Jr.	D32/32
D770,709	S	*	11/2016	Ogg	D32/22
D778,017	S	*	1/2017	Park	D32/32
D782,136	S	*	3/2017	Bu	D32/31
D787,766	S	*	5/2017	Nam	D32/32

* cited by examiner

Primary Examiner — Michael A Pratt

(74) *Attorney, Agent, or Firm* — Birch, Stewart, Kolasch & Birch, LLP

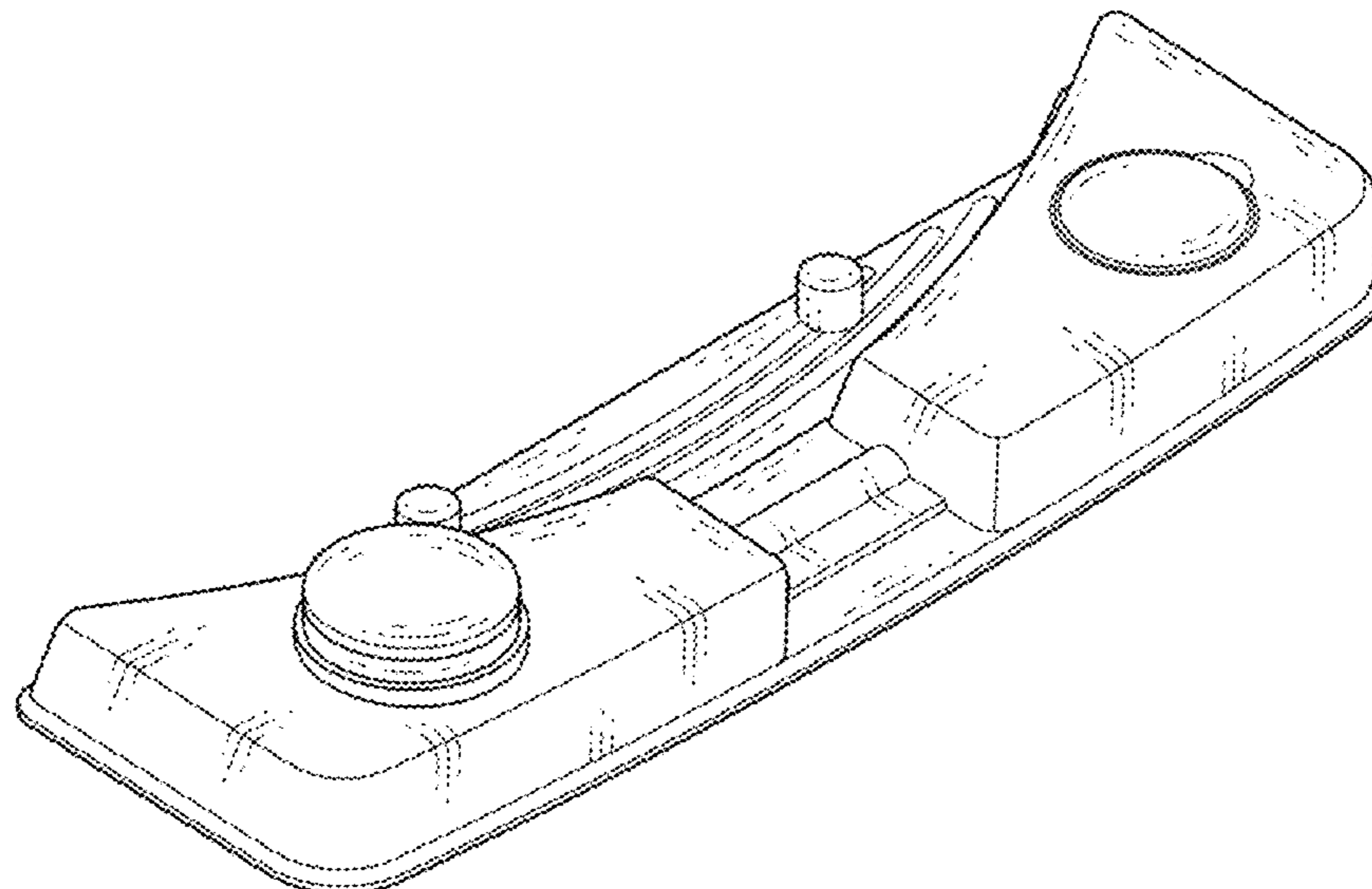
(57) **CLAIM**

The ornamental design for a vacuum cleaner head for wet floorcloth, as shown and described.

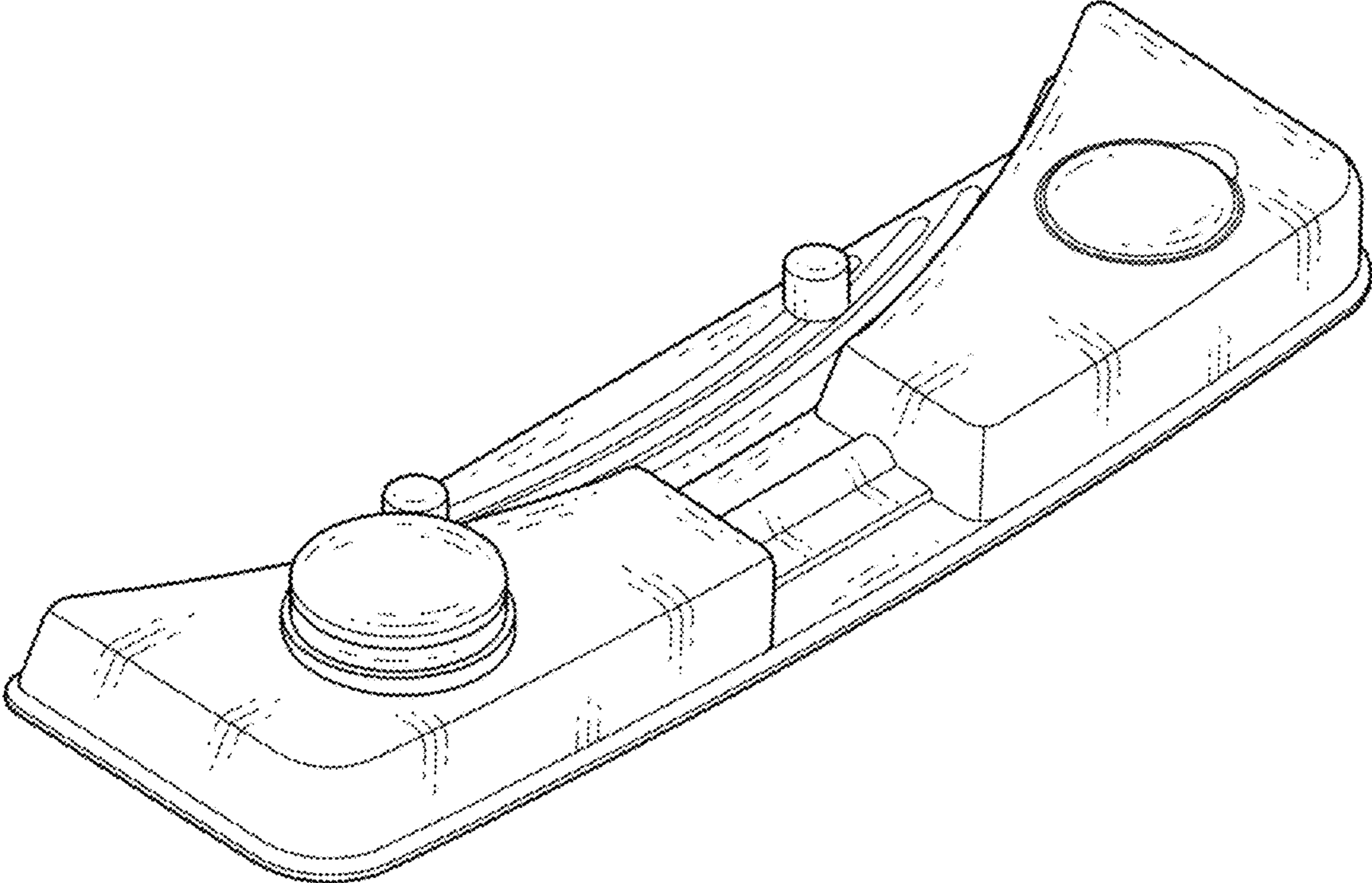
DESCRIPTION

1. Vacuum cleaner head for wet floorcloth
1.1 is a perspective view of a vacuum cleaner head for wet floorcloth showing our new design;
1.2 is a front elevation view thereof;
1.3 is a rear elevation view thereof;
1.4 is a left-side elevation view thereof;
1.5 is a right-side elevation view thereof;
1.6 is a top plan view thereof;
1.7 is a bottom plan view thereof; and
1.8 is a perspective view thereof in a use condition.
The broken lines shown are included for the purpose of illustrating unclaimed environment and form no part of the claimed design.

1 Claim, 8 Drawing Sheets



1.1



1.2



1.3



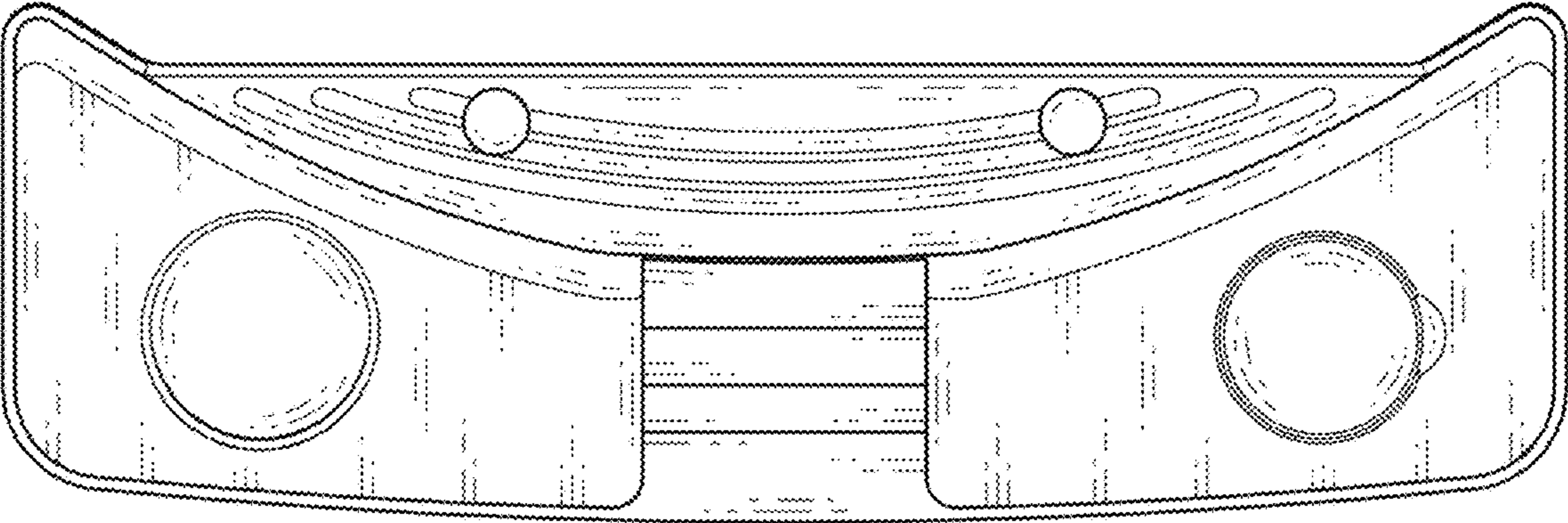
1.4



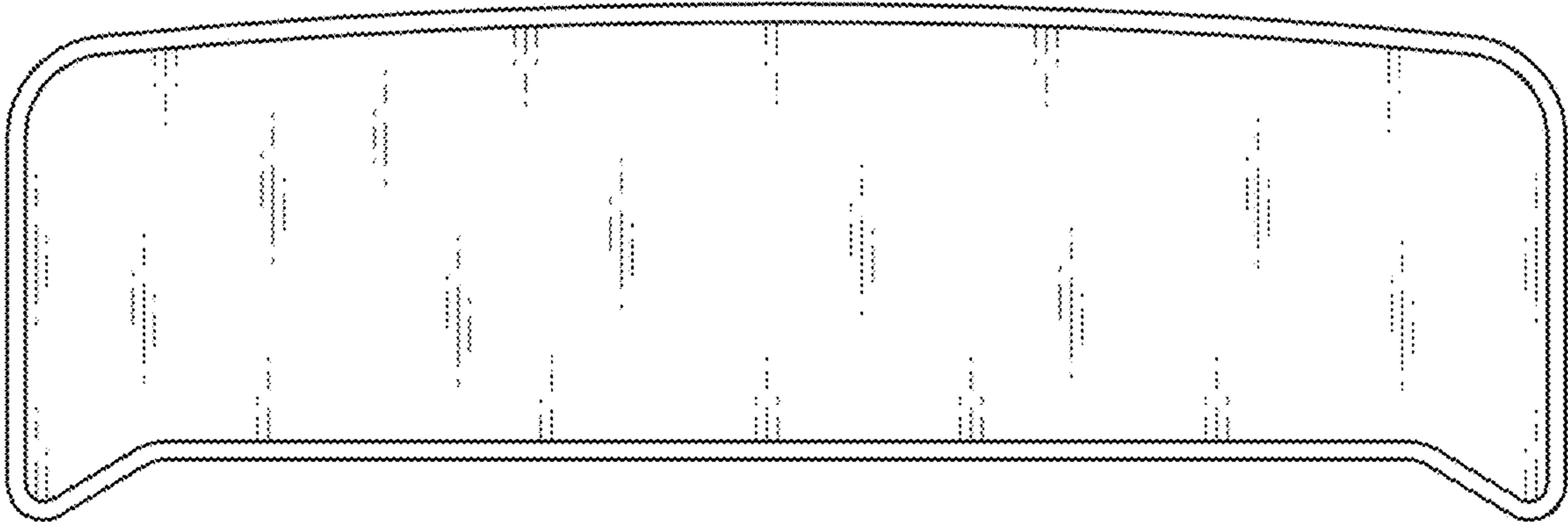
1.5



1.6



1.7



1.8

